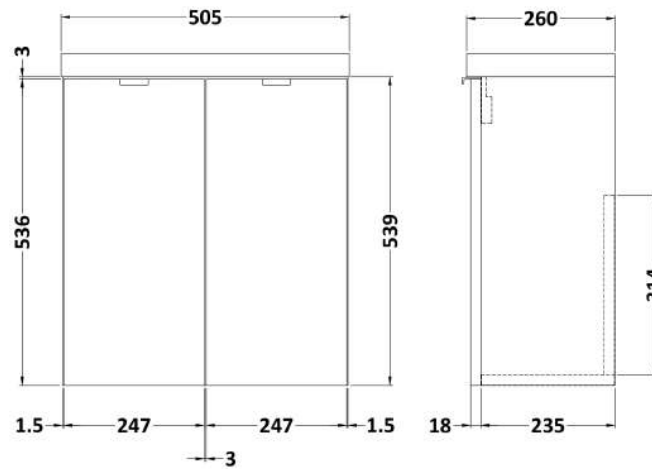


Sales Code: CBI338

Description: 500 2-Door Wall Hung Unit & Basin

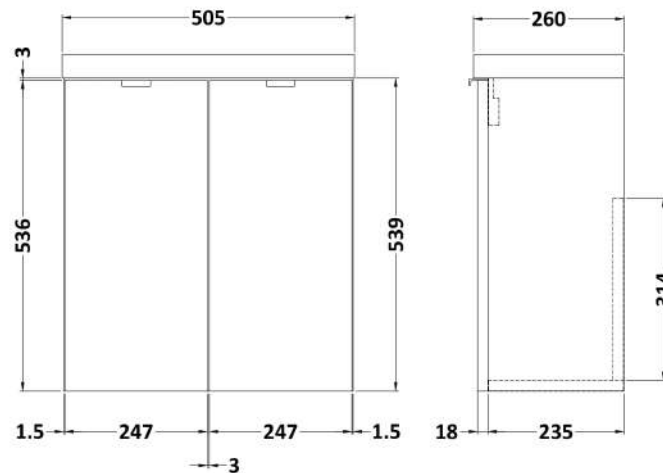


Packaging Details

Barcode: 5056211864912

Sales Code: OFF334

Description: 500 2-Door Wall Hung Unit (255mm)



Product Dimensions

| | |
|-------------------|-----|
| Height (mm): | 540 |
| Width (mm): | 500 |
| Depth (mm): | 253 |
| Nett Weight (kg): | 9.5 |

Packaging Dimensions

| | |
|--------------------|-----|
| Height (mm): | 275 |
| Width (mm): | 520 |
| Depth (mm): | 275 |
| Gross Weight (kg): | 10 |

Packaging Data

| | |
|---------------|---------------------|
| Box Colour: | Brown Cardboard Box |
| Box Qty: | 1 |
| Label Size: | 100 x 50 |
| Label Colour: | White Label |
| Label Qty: | 2 |

Outer Box Dimensions (If Applicable)

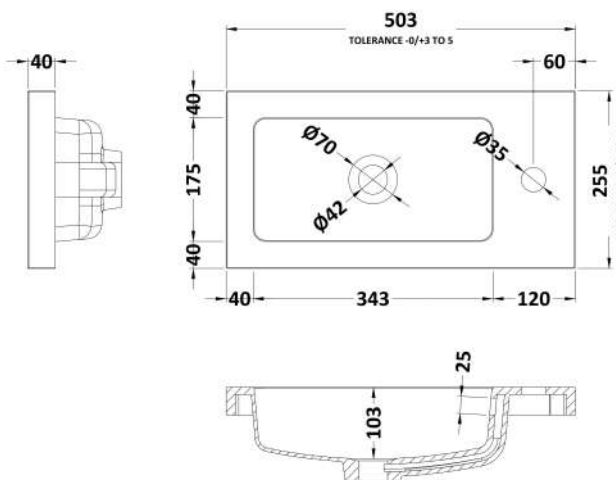
| | |
|--------------------|---------------|
| Height (mm): | |
| Width (mm): | |
| Depth (mm): | |
| Gross Weight (kg): | |
| Barcode: | 5056211864813 |

Product Details

| | |
|--------------------------|------------------------------|
| Country of Origin: | United Kingdom |
| Fitting Instruction: | No |
| CE & UKCA: | N/A |
| FSC Certified Materials: | Yes |
| Colour: | Natural Oak |
| Construction Method: | Cam & Wood Dowel |
| Construction Type: | Rigid |
| Cabinet Finish: | MFC Textured Woodgrain |
| Fascia Finish: | MFC Textured Woodgrain |
| Cabinet Thickness (mm): | 18 |
| Fascia Thickness (mm): | 18 |
| Drawer Included: | No |
| Drawer Type: | Not Applicable |
| No of Shelves: | 0 |
| Hinge Type: | 95 Degree Clip-On Soft Close |
| Hinge Included: | Yes, Supplied |
| Adjustable Legs: | No, Not Required |
| Fixings Included: | Yes |
| Handle Style: | Modern |
| Waste Shroud: | No |
| Handle Included: | Yes, Supplied |
| Handle Type: | Wrapover |

Sales Code: PMB302

Description: 500 Side Tap Basin 1Th (502.5X255x40)



Product Dimensions

| | |
|-------------------|-----|
| Height (mm): | 255 |
| Width (mm): | 503 |
| Depth (mm): | 135 |
| Nett Weight (kg): | 8 |

Packaging Dimensions

| | |
|--------------------|-----|
| Height (mm): | 305 |
| Width (mm): | 205 |
| Depth (mm): | 555 |
| Gross Weight (kg): | 8 |

Packaging Data

| | |
|---------------|-------------------------------|
| Box Colour: | Brown Cardboard Box - Printed |
| Box Qty: | 1 |
| Label Size: | 100 x 50 |
| Label Colour: | White Label |
| Label Qty: | 2 |

Outer Box Dimensions (If Applicable)

| | |
|--------------------|---------------|
| Height (mm): | |
| Width (mm): | |
| Depth (mm): | |
| Gross Weight (kg): | |
| Barcode: | 5055369063031 |

Product Details

| | |
|---------------------------|----------------------------|
| Country of Origin: | China |
| Fitting Instruction: | No |
| Certification: CE & UKCA: | Yes WRAS: N/A WRAS No: N/A |
| Product Material: | Polymarble |
| Fixing Supplied: | No |

Pans/Bidets: Trap Style: Not Applicable Includes Seat: Not Applicable

Seats: Seat Type: Not Applicable Material: Not Applicable
Function: Not Applicable Hinge Type: Not Applicable
Hinge Material: Not Applicable

Cisterns: Operating Type: Not Applicable Fittings: Not Applicable
Lever Type: Not Applicable

Basins: Tap Hole: One Taphole Chain Stay Hole: No
Template: Not Required Waste Type Req: Slotted
Overflow Inc: Yes Overflow Cover: Yes
Inner Bowl Depth (mm): 103mm