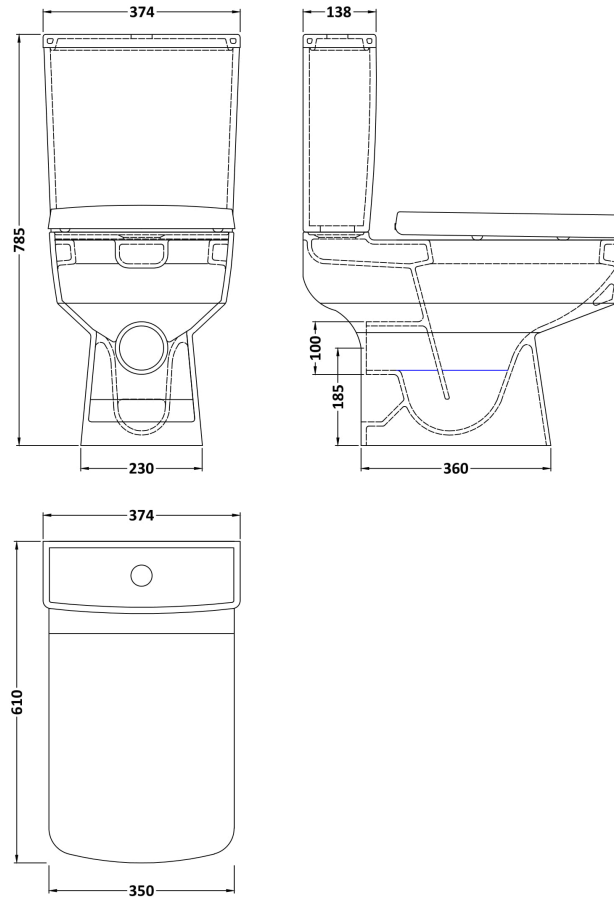


Sales Code: Cbl008

Description: Bliss Semi Flush To Wall Wc

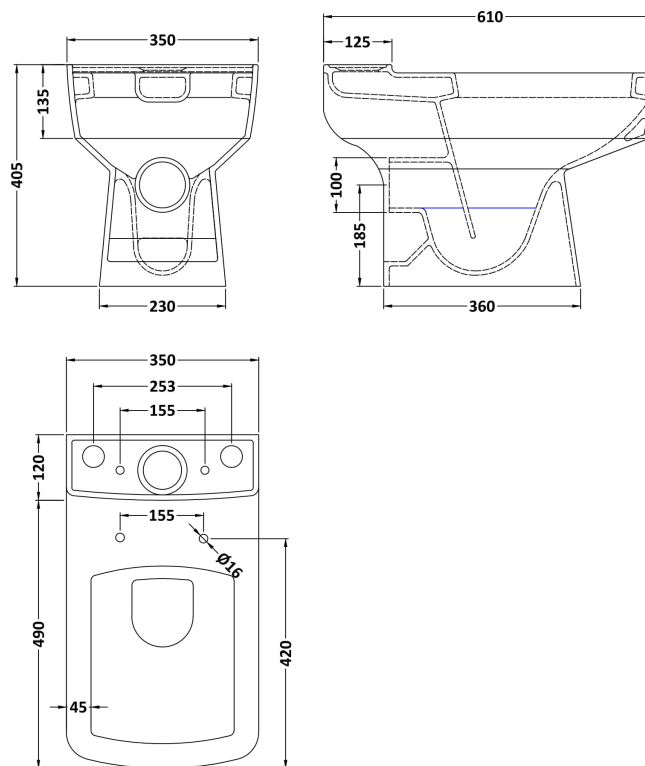
### Packaging Details

Barcode: 5055275867778



Sales Code: NCH100B

Description: Esq Square Pan Only



### Product Dimensions

|                   |     |
|-------------------|-----|
| Height (mm):      | 405 |
| Width (mm):       | 350 |
| Depth (mm):       | 610 |
| Nett Weight (kg): | 29  |

### Packaging Dimensions

|                    |     |
|--------------------|-----|
| Height (mm):       | 435 |
| Width (mm):        | 425 |
| Depth (mm):        | 635 |
| Gross Weight (kg): | 30  |

### Packaging Data

|               |                               |
|---------------|-------------------------------|
| Box Colour:   | Brown Cardboard Box - Printed |
| Box Qty:      | 1                             |
| Label Size:   | 100 x 50                      |
| Label Colour: | Not Applicable                |
| Label Qty:    | 0                             |

### Outer Box Dimensions (If Applicable)

|                    |               |
|--------------------|---------------|
| Height (mm):       |               |
| Width (mm):        |               |
| Depth (mm):        |               |
| Gross Weight (kg): |               |
| Barcode:           | 5055369029211 |

### Product Details

|                      |                                |
|----------------------|--------------------------------|
| Country of Origin:   | China                          |
| Fitting Instruction: | No                             |
| Certification:       | CE: Yes WRAS: N/A WRAS No: N/A |
| Product Material:    | Vitreous China                 |
| Fixing Supplied:     | No                             |

**Pans/Bidets:** Trap Style: P Trap Includes Seat: No

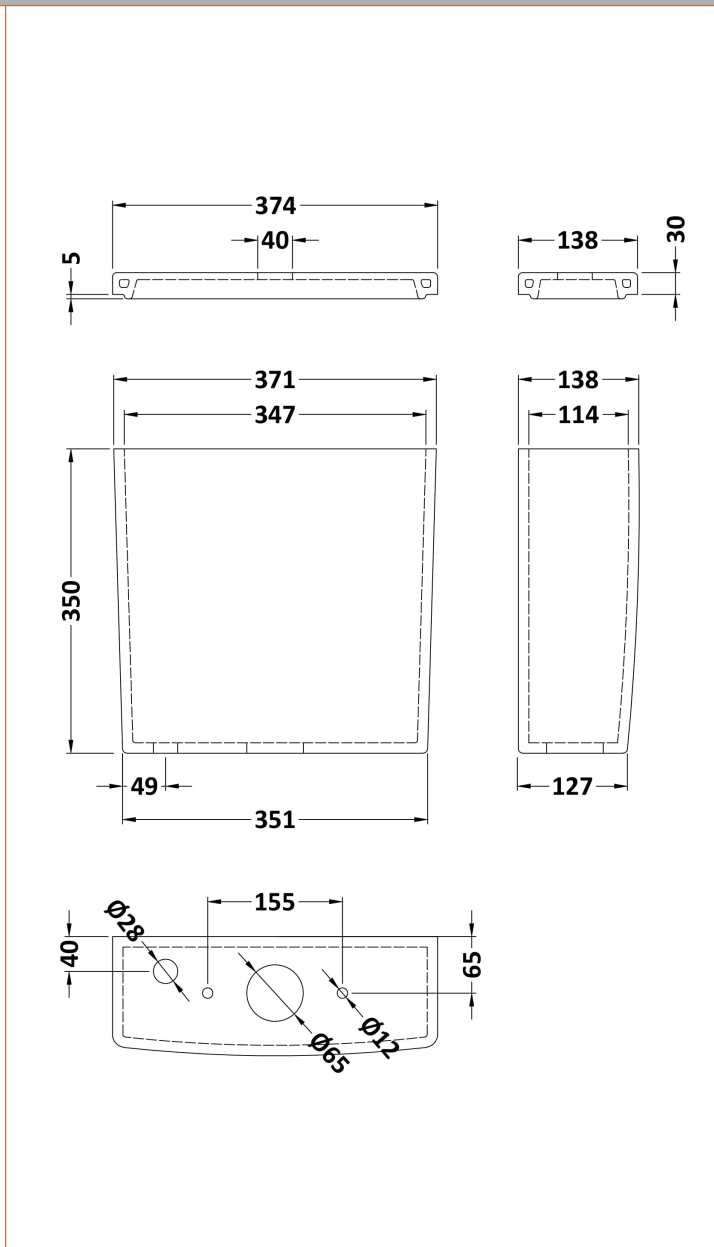
**Seats:** Seat Type: D-Shape Material: Not Applicable  
Function: Not Applicable Hinge Type: Top Fix  
Hinge Material: Not Applicable

**Cisterns:** Operating Type: Not Applicable Fittings: Not Applicable  
Lever Type: Not Applicable

**Basins:** Tap Hole: Not Applicable Chain Stay Hole: Not Applicable  
Template: Not Applicable Waste Type Req: Not Applicable  
Overflow Inc: Not Applicable Overflow Cover: Not Applicable  
Inner Bowl Depth (mm): N/A

Sales Code: NCH101

Description: Esq Square Cistern & Fittings



**Product Dimensions**

|                   |       |
|-------------------|-------|
| Height (mm):      | 380   |
| Width (mm):       | 374   |
| Depth (mm):       | 138   |
| Nett Weight (kg): | 11.53 |

**Packaging Dimensions**

|                    |     |
|--------------------|-----|
| Height (mm):       | 165 |
| Width (mm):        | 390 |
| Depth (mm):        | 410 |
| Gross Weight (kg): | 13  |

**Packaging Data**

|               |                               |
|---------------|-------------------------------|
| Box Colour:   | Brown Cardboard Box - Printed |
| Box Qty:      | 1                             |
| Label Size:   | 100 x 50                      |
| Label Colour: | Not Applicable                |
| Label Qty:    | 2                             |

**Outer Box Dimensions (If Applicable)**

|                    |               |
|--------------------|---------------|
| Height (mm):       |               |
| Width (mm):        |               |
| Depth (mm):        |               |
| Gross Weight (kg): |               |
| Barcode:           | 5055369022540 |

**Product Details**

|                      |                                |
|----------------------|--------------------------------|
| Country of Origin:   | China                          |
| Fitting Instruction: | No                             |
| Certification:       | CE: Yes WRAS: N/A WRAS No: N/A |
| Product Material:    | Vitreous China                 |
| Fixing Supplied:     | No                             |

**Pans/Bidets:** Trap Style: Not Applicable Includes Seat: No

**Seats:** Seat Type: Not Applicable Material: Not Applicable  
Function: Not Applicable Hinge Type: Not Applicable  
Hinge Material: Not Applicable

**Cisterns:** Operating Type: Push Button Fittings: Loose 6/3L  
Lever Type: Plastic Chrome Platec

**Basins:** Tap Hole: No Tapholes Chain Stay Hole: Not Applicable  
Template: Not Applicable Waste Type Req: Not Applicable  
Overflow Inc: Not Applicable Overflow Cover: Not Applicable  
Inner Bowl Depth (mm): N/A