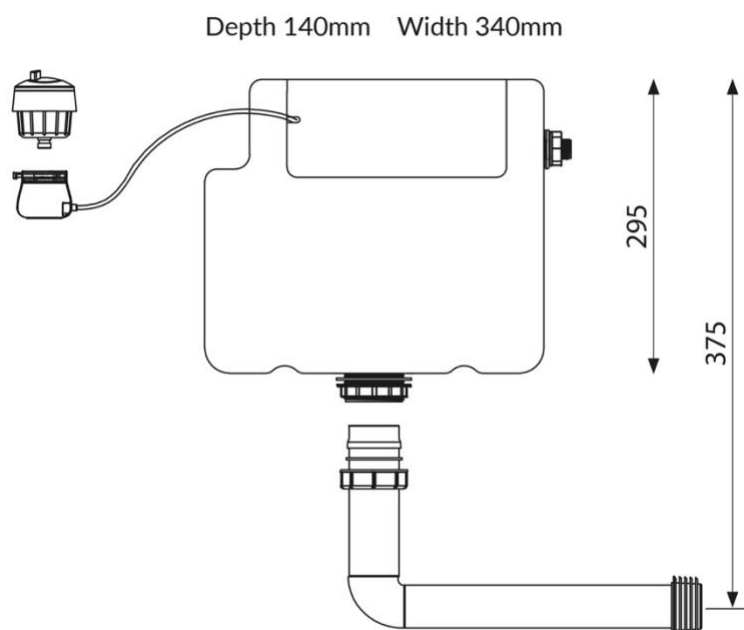


# USER MANUAL

**Product name – Concealed Cistern with Chrome Button**

**Product code – CISTERN002**



- **Single-person assembly**
- **We always recommend using professional tradespeople to install your product**

## **Important information**

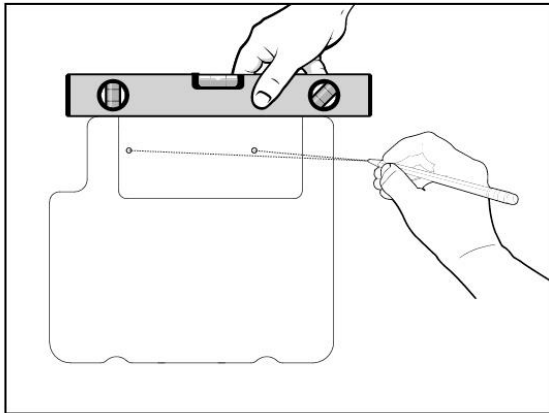
- Please read these instructions thoroughly and retain for future reference
- Please inspect the product fully for any damage or defects prior to installation
- Please ensure pipework is cleaned out before installation
- Installation must be carried out to these instructions
- Do not use plumbers sealing putty or silicone sealants on any fittings
- Ensure that frames, furniture and wall constructions can adequately carry the cistern when filled with 8kg of water
- It is recommended to fit an in-line pressure reducing valve when pressure is over 8 bar static pressure
- Do not use hot works close to cistern

## **Tools required**

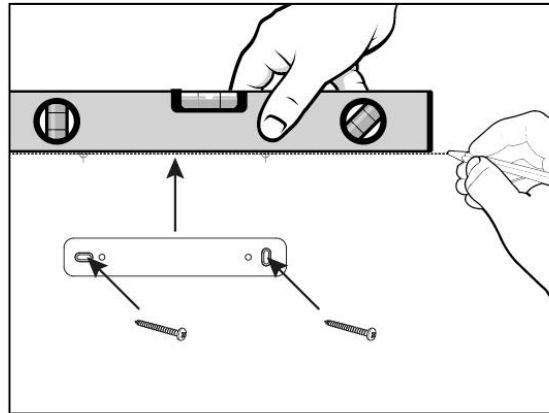
- Drill
- Screwdriver
- Spanner
- Water pump pliers
- Spirit level
- Protective cloth

# Installation

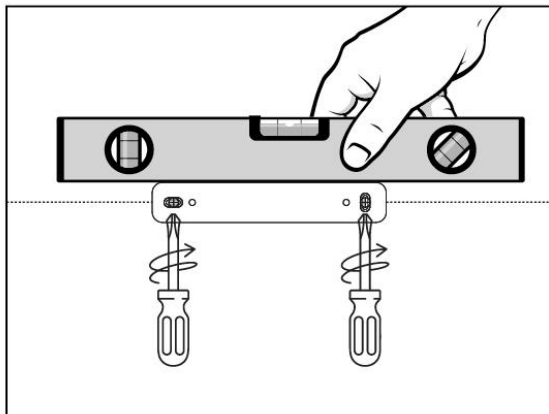
## CONCEALED CISTERN - FITTING GUIDE



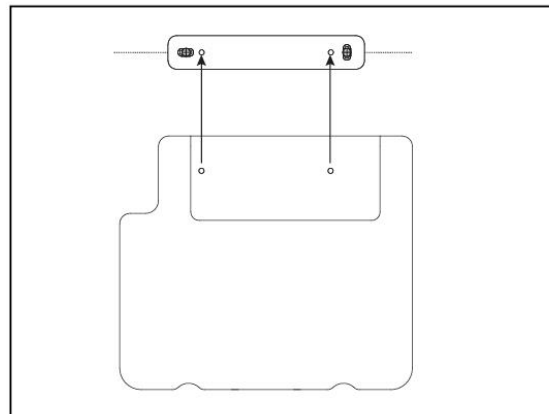
Position cistern where required.  
Using holes in cistern, mark the position.



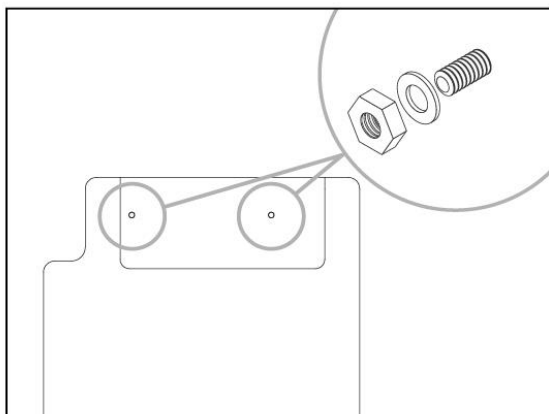
Use marks to draw a level line across the wall  
or furniture. Use this to position the back plate.



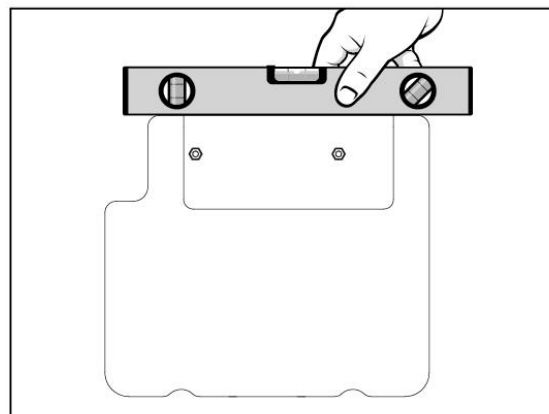
Fit plate using suitable screws. Ensure this is  
installed level.



Place the cistern by directing the threads on  
the plate through the holes on the cistern.



Secure the cistern by placing a washer and nut  
onto the thread and tighten.



Now in place do one last check to see that it  
is level.

# Troubleshooting

## Leaks

Check that all connections are fully tightened then re-check for leaks

## Inlet Valve

Check that the float is free to move and that the valve shuts off when the float is raised. If not turn off water supply and disassemble the inlet valve. Carefully clean the diaphragm and filter assembly under running water. Reassemble and turn the water back on.

## Water Level

Ensure that the actual water level aligns with the specified water level mark on cistern. If not adjust the flow restrictor

## Overflow

Hold the inlet valve float down until the cistern begins to overflow. Ensure that the overflow pipe is capable of draining all incoming water. If not check that the flow restrictor has been fitted.

## Outlet Valve

Check that the outlet valve flushes correctly. If not ensure all moving parts are free to move. Check that there is no water flow into the toilet pan when the outlet valve is shut. If there is, remove the flush valve from cistern and wash all sealing faces with clean water. Re-assemble valve and ensure it is working correctly.

## **Maintenance**

We recommend that products like Bloo block should not be used, as this could damage or effect the function of the internal cistern mechanism.

We would also recommend to periodically check the product for leaks.

The cistern uses an internal overflow into the toilet pan this must be check periodically to avoid wastage of water.

## **Cleaning**

This product should be cleaned using a soft cloth with warm PH neutral soapy water only.

The product must then be rinsed with clean water to dilute any soap. Polish and dry using a soft dry cloth after every use.