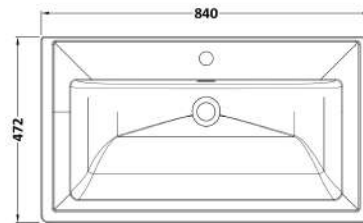
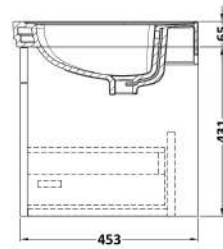
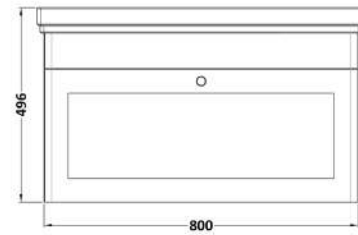


Sales Code: CLC896A

Description: 800 W/H 1-Drawer Unit & Basin 1Th

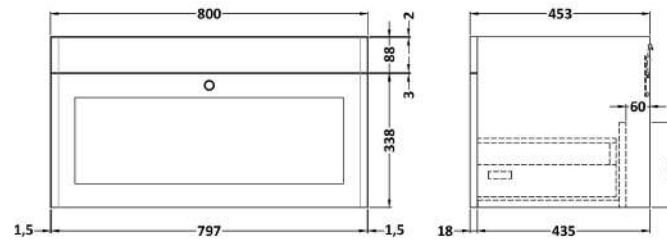


Packaging Details

Barcode: 5056462687087

Sales Code: CLA896

Description: 800 W/H 1-Drawer Unit (431X800x453)



Product Dimensions

| | |
|-------------------|-----|
| Height (mm): | 431 |
| Width (mm): | 800 |
| Depth (mm): | 453 |
| Nett Weight (kg): | 23 |

Packaging Dimensions

| | |
|--------------------|------|
| Height (mm): | 465 |
| Width (mm): | 825 |
| Depth (mm): | 480 |
| Gross Weight (kg): | 23.5 |

Packaging Data

| | |
|---------------|---------------------|
| Box Colour: | Brown Cardboard Box |
| Box Qty: | 0 |
| Label Size: | 0 x 0 |
| Label Colour: | White Label |
| Label Qty: | 0 |

Outer Box Dimensions (If Applicable)

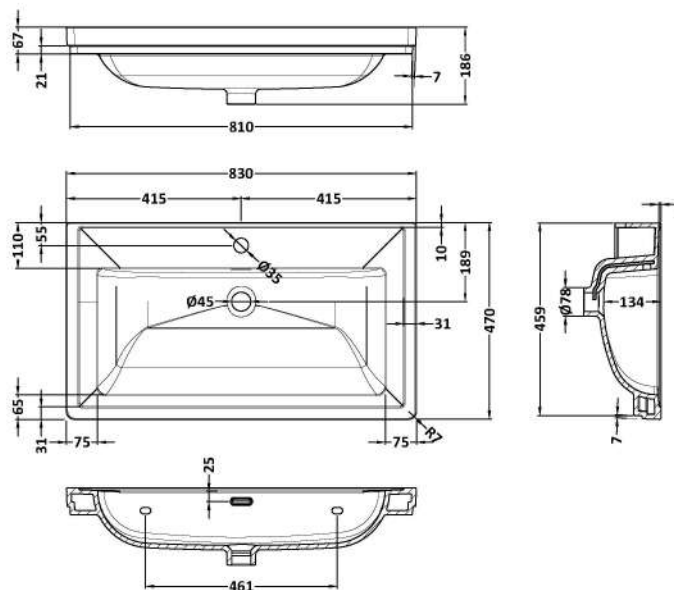
| | |
|--------------------|---------------|
| Height (mm): | |
| Width (mm): | |
| Depth (mm): | |
| Gross Weight (kg): | |
| Barcode: | 5056462643328 |

Product Details

| | |
|--------------------------|--------------------------------|
| Country of Origin: | China |
| Fitting Instruction: | Yes |
| CE & UKCA: | N/A |
| FSC Certified Materials: | Yes |
| Colour: | Satin Green |
| Construction Method: | Cam & Wood Dowel |
| Construction Type: | Rigid |
| Cabinet Finish: | MFC Painted Matt |
| Fascia Finish: | Mdf Painted Matt |
| Cabinet Thickness (mm): | 18 |
| Fascia Thickness (mm): | 18 |
| Drawer Included: | Yes |
| Drawer Type: | 80mm High Metal S/C Inc Galler |
| No of Shelves: | Not Applicable |
| Hinge Type: | Not Applicable |
| Hinge Included: | Not Applicable |
| Adjustable Legs: | No, Not Required |
| Fixings Included: | Yes |
| Handle Style: | Traditional |
| Waste Shroud: | Yes |
| Handle Included: | Yes, Supplied |
| Handle Type: | Knob |

Sales Code: CBM505

Description: 800 Classic Basin (840X472x185) 1Th



Product Dimensions

| | |
|-------------------|------|
| Height (mm): | 0 |
| Width (mm): | 0 |
| Depth (mm): | 0 |
| Nett Weight (kg): | 22.2 |

Packaging Dimensions

| | |
|--------------------|------|
| Height (mm): | 490 |
| Width (mm): | 850 |
| Depth (mm): | 220 |
| Gross Weight (kg): | 22.5 |

Packaging Data

| | |
|---------------|-------------------------------|
| Box Colour: | Brown Cardboard Box - Printed |
| Box Qty: | 0 |
| Label Size: | 0 x 0 |
| Label Colour: | White Label |
| Label Qty: | 0 |

Outer Box Dimensions (If Applicable)

| | |
|--------------------|---------------|
| Height (mm): | |
| Width (mm): | |
| Depth (mm): | |
| Gross Weight (kg): | |
| Barcode: | 5056462643670 |

Product Details

| | |
|------------------------------|------------------------|
| Country of Origin: | Utd.Arab.Emir. |
| Fitting Instruction: | No |
| Certification: CE & UKCA: No | WRAS: N/A WRAS No: N/A |
| Product Material: | Fireclay |
| Fixing Supplied: | No |

Pans/Bidets: Trap Style: N/A Includes Seat: Not Applicable

Seats: Seat Type: N/A Material: Not Applicable
Function: Not Applicable Hinge Type: Not Applicable
Hinge Material: Not Applicable

Cisterns: Operating Type: Not Applicable Fittings: Not Applicable
Lever Type: Not Applicable

Basins: Tap Hole: One Taphole Chain Stay Hole: No
Template: Not Required Waste Type Req: Slotted
Overflow Inc: Yes Overflow Cover: Yes
Inner Bowl Depth (mm): 134mm