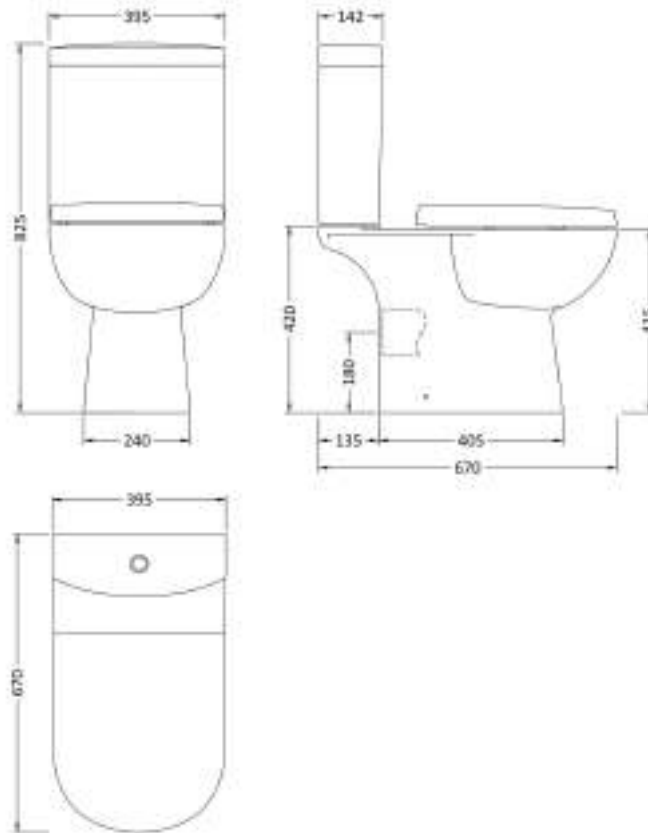


Sales Code: Clw002

Description: Lawton Close Coupled Wc



Packaging Details

Barcode: 5055275867433

Sales Code: NCA620

Description: Lawton New Pan



Product Dimensions

Height (mm):	420
Width (mm):	395
Depth (mm):	670
Nett Weight (kg):	26.5

Packaging Dimensions

Height (mm):	450
Width (mm):	405
Depth (mm):	680
Gross Weight (kg):	27

Packaging Data

Box Colour:	Brown Cardboard Box - Printed
Box Qty:	1
Label Size:	100 x 50
Label Colour:	Not Applicable
Label Qty:	0

Outer Box Dimensions (If Applicable)

Height (mm):	
Width (mm):	
Depth (mm):	
Gross Weight (kg):	
Barcode:	5055369069279

Product Details

Country of Origin:	China
Fitting Instruction:	No
Certification:	CE: Yes WRAS: N/A WRAS No: N/A
Product Material:	Vitreous China
Fixing Supplied:	No

Pans/Bidets:	Trap Style: P Trap	Includes Seat: No
---------------------	--------------------	-------------------

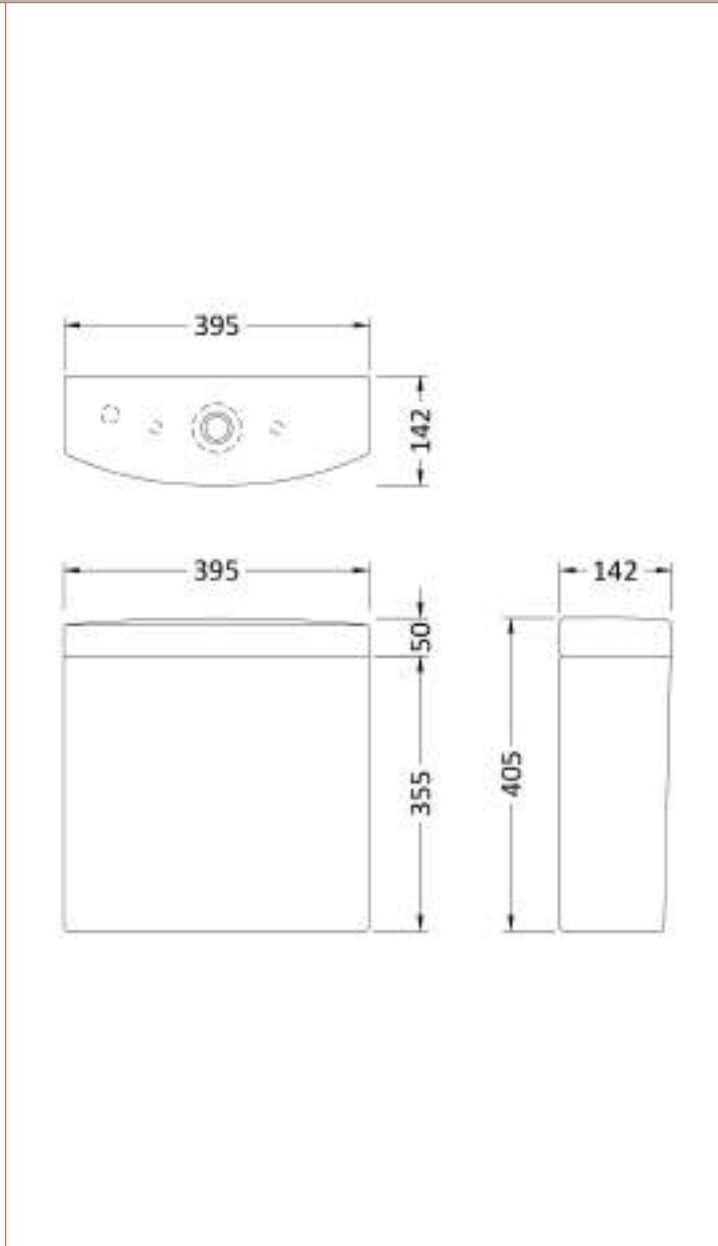
Seats:	Seat Type: D-Shape	Material: Not Applicable
	Function: Not Applicable	Hinge Type: Top Fix
	Hinge Material: Not Applicable	

Cisterns:	Operating Type: Not Applicable	Fittings: Not Applicable
	Lever Type: Not Applicable	

Basins:	Tap Hole: Not Applicable	Chain Stay Hole: Not Applicable
	Template: Not Applicable	Waste Type Req: Not Applicable
	Overflow Inc: Not Applicable	Overflow Cover: Not Applicable
	Inner Bowl Depth (mm): N/A	

Sales Code: NCA621

Description: Lawton New Cistern



Product Dimensions

Height (mm):	405
Width (mm):	395
Depth (mm):	142
Nett Weight (kg):	13.8

Packaging Dimensions

Height (mm):	420
Width (mm):	160
Depth (mm):	450
Gross Weight (kg):	14

Packaging Data

Box Colour:	Brown Cardboard Box - Printed
Box Qty:	1
Label Size:	100 x 50
Label Colour:	Not Applicable
Label Qty:	0

Outer Box Dimensions (If Applicable)

Height (mm):	
Width (mm):	
Depth (mm):	
Gross Weight (kg):	
Barcode:	5055369069286

Product Details

Country of Origin:	China
Fitting Instruction:	No
Certification:	CE: Yes WRAS: N/A WRAS No: N/A
Product Material:	Vitreous China
Fixing Supplied:	No

Pans/Bidets: Trap Style: Not Applicable Includes Seat: Not Applicable

Seats: Seat Type: Not Applicable Material: Not Applicable
 Function: Not Applicable Hinge Type: Not Applicable
 Hinge Material: Not Applicable

Cisterns: Operating Type: Push Button Fittings: Loose 6/3L
 Lever Type: Plastic Chrome Platec

Basins: Tap Hole: Not Applicable Chain Stay Hole: Not Applicable
 Template: Not Applicable Waste Type Req: Not Applicable
 Overflow Inc: Not Applicable Overflow Cover: Not Applicable
 Inner Bowl Depth (mm): N/A