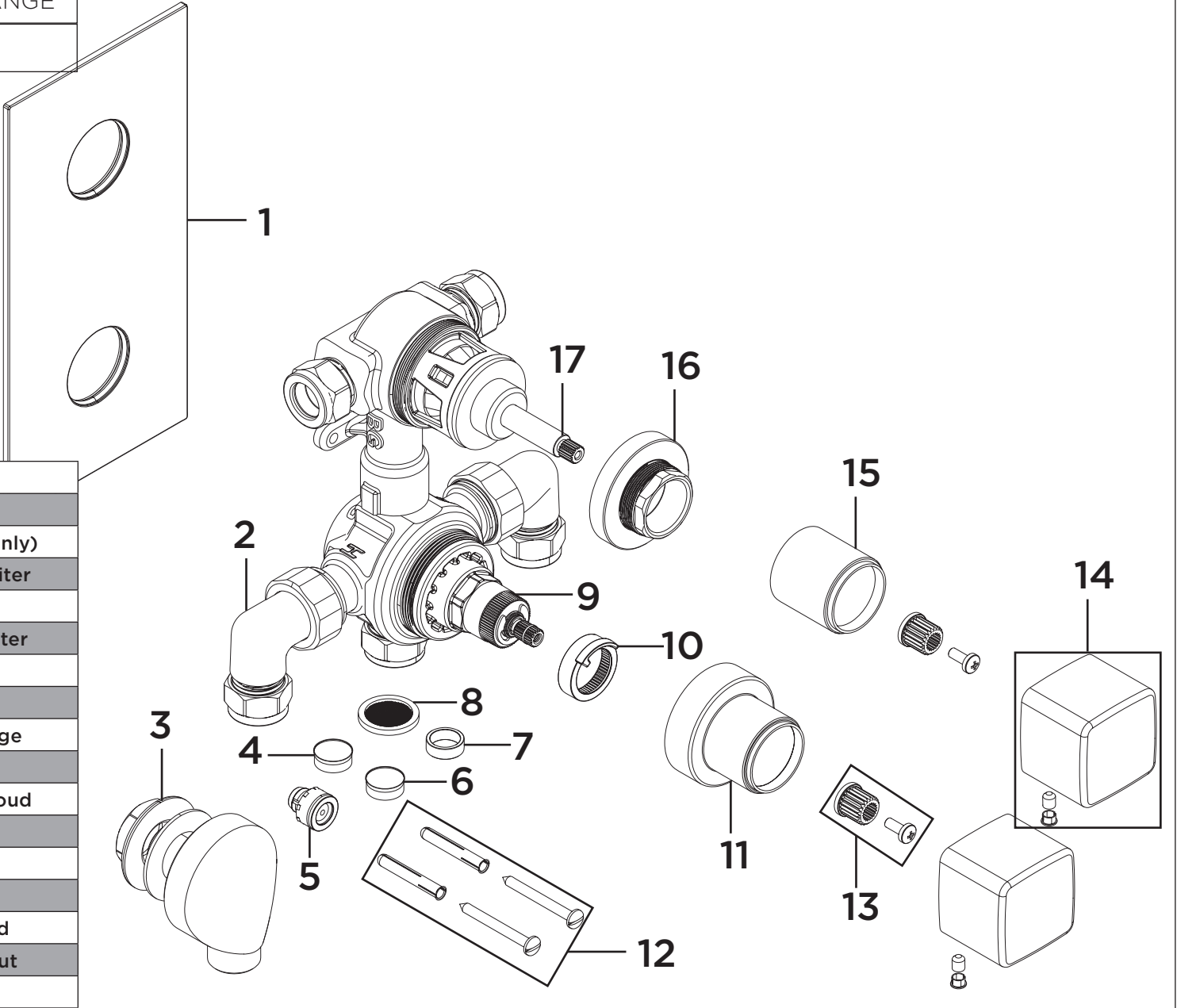


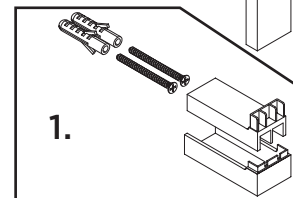
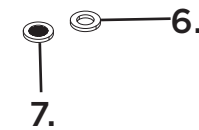
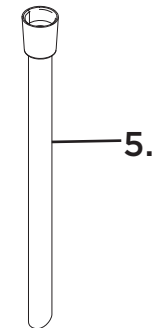
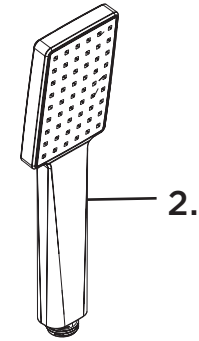
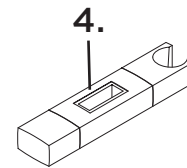
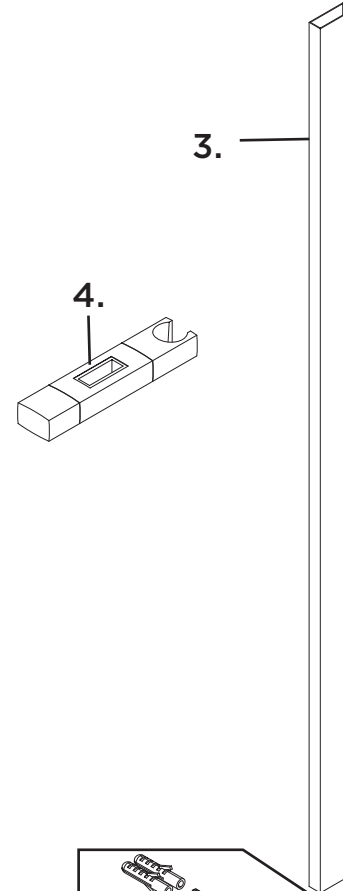
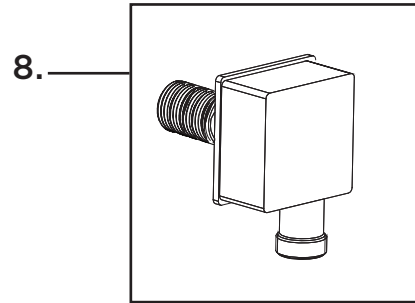
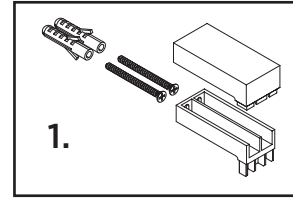
Product Code: COB SHCDIV RANGE

Revision: D4

1	Concealing Plate
2	Elbow Assembly
3	Wall Outlet (Chrome Only)
4	Yellow 5lpm Flow Limiter
5	1/2" Check Valve
6	Green 7lpm Flow Limiter
7	Inserts (Pair)
8	Filter Washer
9	Thermostatic Cartridge
10	Temperature Stop
11	Slim Temperature Shroud
12	Screw Pack
13	Spline Adaptor
14	Handle Assembly
15	Slim Diverter Shroud
16	Diverter Retaining Nut
17	Diverter Cartridge



Product Code: SQR KIT01 BLK
Revision: D2



1	Wall Bracket Assembly (Pair)
2	Single Function Handset
3	668mm Riser Rail
4	Slider
5	1.5m Cone to Nut Hose
6	Sealing Washer
7	Filter Washer
8	Wall Outlet