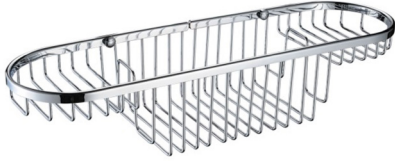


COMP BASK01 C

Accessories
Large Wall Fixed Wire Basket



Specification

Main Construction Material:	Brass
Connection Inlet:	N/A
Connection Outlet:	N/A
Contemporary or Traditional:	Contemporary
Finish Colour:	Chrome
Isolation Included:	N/A
Left or Right Handed:	Both
Rub Clean Handset:	N/A

Features:

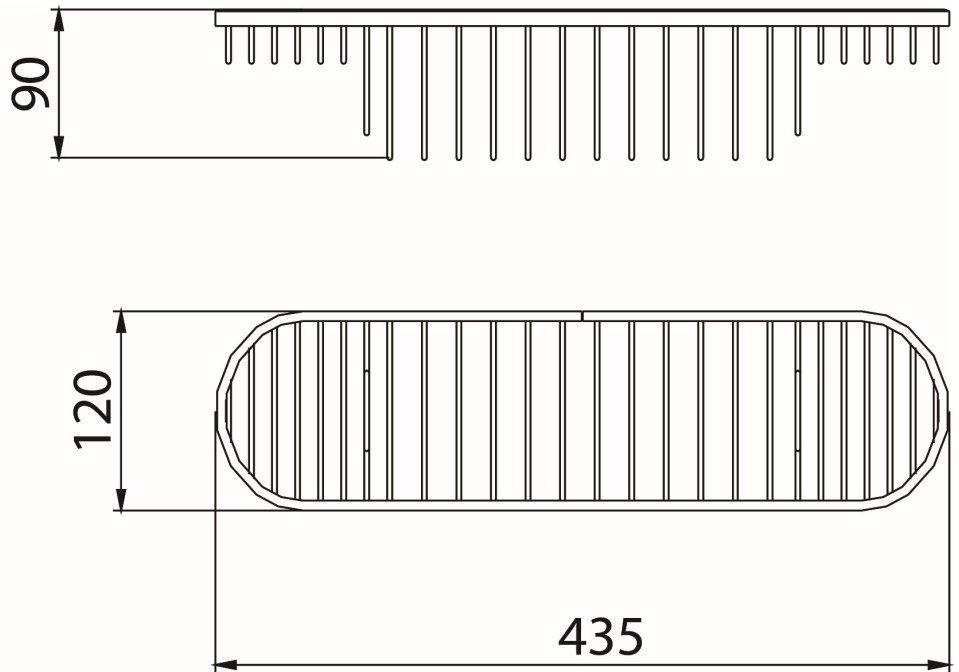
- Solid Brass Construction
- Chrome plated to BS EN 248

Product Certifications:

For more products, visit our website:
<http://www.bristan.com>



Dimensions (measurements in mm)



TECHNICAL
DATA
SHEET



BRISTAN
TAPS & SHOWERS

D2