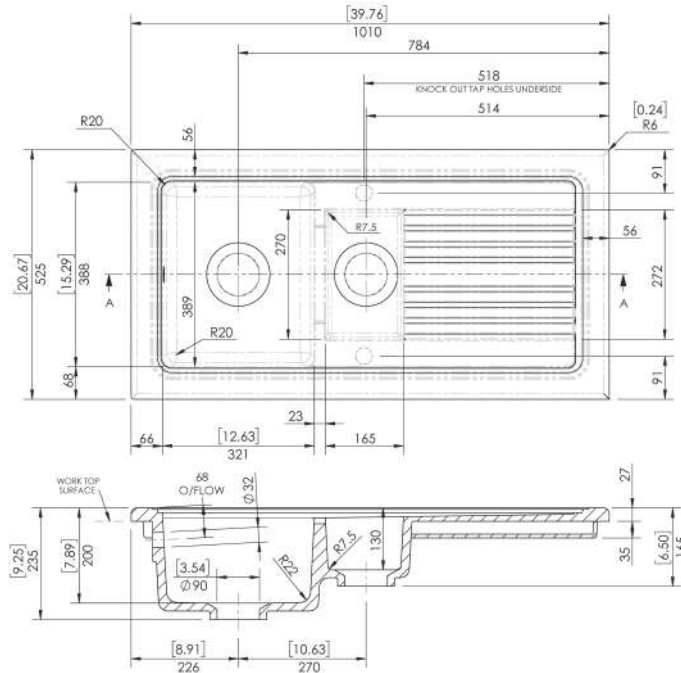


Sales Code: CT115T1000

Description: Counter Top Sink 1.5 Bowl 1010X525



### Product Dimensions

|                   |      |
|-------------------|------|
| Height (mm):      | 235  |
| Width (mm):       | 1010 |
| Depth (mm):       | 525  |
| Nett Weight (kg): | 29.5 |

### Packaging Dimensions

|                    |      |
|--------------------|------|
| Height (mm):       | 250  |
| Width (mm):        | 1030 |
| Depth (mm):        | 540  |
| Gross Weight (kg): | 30   |

### Packaging Data

|               |                     |
|---------------|---------------------|
| Box Colour:   | Brown Cardboard Box |
| Box Qty:      | 1                   |
| Label Size:   | 100 x 50            |
| Label Colour: | White Label         |
| Label Qty:    | 2                   |

### Outer Box Dimensions (If Applicable)

|                    |               |
|--------------------|---------------|
| Height (mm):       |               |
| Width (mm):        |               |
| Depth (mm):        |               |
| Gross Weight (kg): |               |
| Barcode:           | 5056211883920 |

### Product Details

|                           |                |          |
|---------------------------|----------------|----------|
| Country of Origin:        | Utd.Arab.Emir. |          |
| Fitting Instruction:      | No             |          |
| Certification: CE & UKCA: | WRAS:          | WRAS No: |
| Product Material:         |                |          |
| Fixing Supplied:          |                |          |

**Pans/Bidets:** Trap Style: Includes Seat:

**Seats:** Seat Type: Material:  
Function: Hinge Type:  
Hinge Material:

**Cisterns:** Operating Type: Fittings:  
Lever Type:

**Basins:** Tap Hole: Chain Stay Hole:  
Template: Waste Type Req:  
Overflow Inc: Overflow Cover:  
Inner Bowl Depth (mm): 200