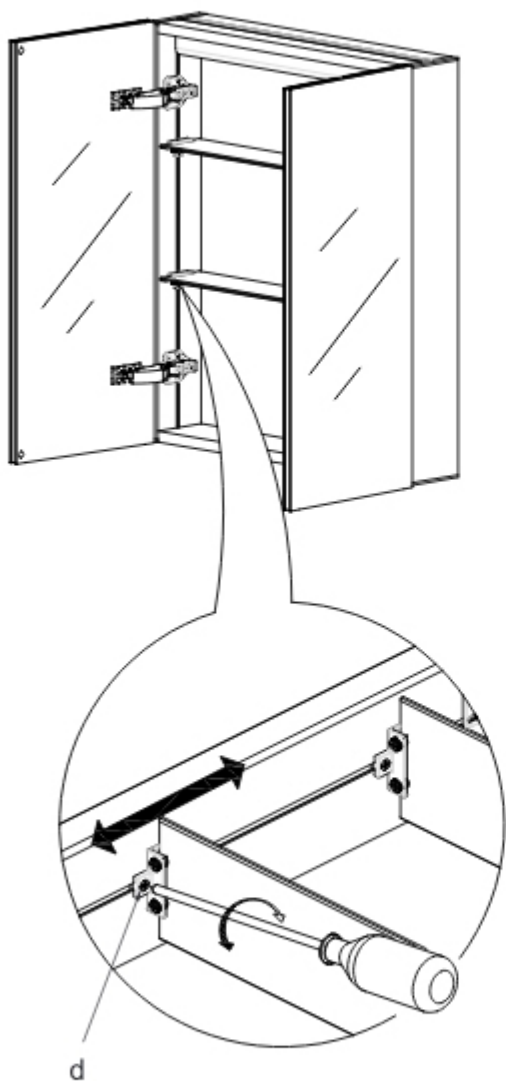


4. Loosen the snap screw (d) of the shelf to adjust the shelf position.
(Fig.12)



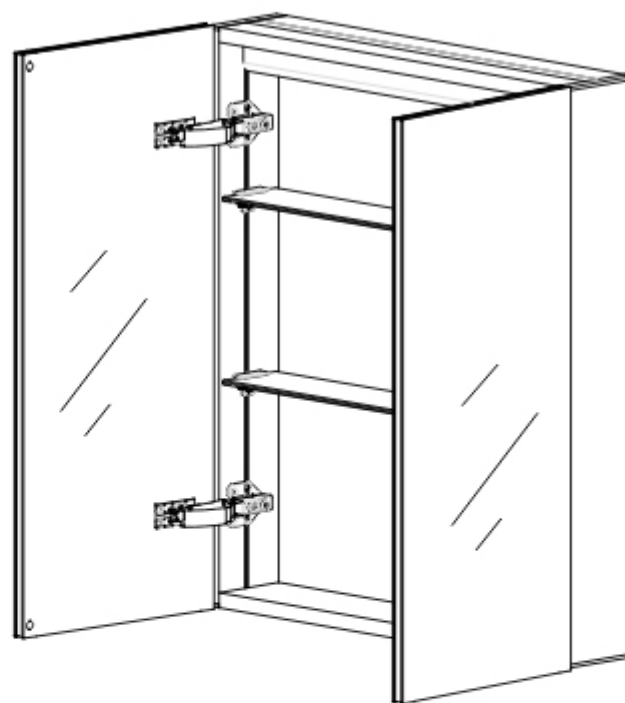
 Safety Warning

Fig. 12

- Do not disassemble the door unless necessary

⑧

Installation Instructions



Wall Mounted Mirror Cabinet

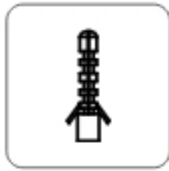
- Adjustable stainless steel buffer hinge
- Double layer adjustable tempered glass shelf
- Infrared sensor switch
- Aluminum alloy cabinet
- Double-sided copper-free silver mirror

Note: This Manual applies to double door infrared sensor switch aluminum alloy mirror cabinet

①

G44

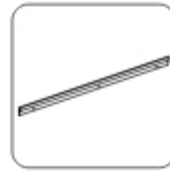
Packing List



Expansion plug ø8

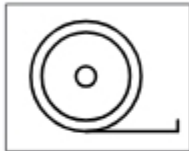


Screw M6

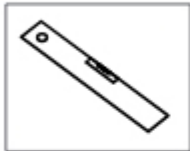


Aluminum alloy bar

Required tools



Tape measure



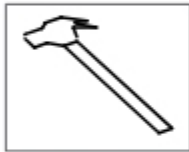
Spirit level



Electric drill



Screwdriver



Hammer



Drill bit



Pencil

Note: Please carefully read the following before installing

1. Before installing the product, please carefully read the instructions and operate accordingly;
 2. Before installing, please turn off the main power switch and ensure that it won't turn on;
 3. The installation of this product requires that the staff has some electrical knowledge;
 4. This mirror cabinet is heavy; do not lift or install with single person in order to avoid injury;
 5. Before installing, please check whether the product is broken, to avoid injury caused by damaged glass
 6. Do not clean the product surface with acid and alkaline cleaning agent; please use a damp cloth
- 1- Avant l'installation du produit s'il vous plaît lire attentivement les instructions et suivre la procédure indiquée.
 - 2- Avant l'installation du produit couper le courant en fermant le disjoncteur de protection alimentant la pièce.
 - 3- Pour l'installation de ce produit il est recommandé que l'installateur ait des connaissances de base en électricité.
 - 4- Ce produit est lourd. Pour éviter les blessures il est recommandé de ne pas lever ou installer ce produit seul.
 - 5- Avant l'installation s'assurer que le produit n'est pas endommagé pour éviter les blessures qui pourraient être engendrées par le verre brisé.
 - 6- Ne pas nettoyer la surface du produit avec de l'acide ou des produits nettoyant alcalins, il est recommandé d'utiliser un linge humide.

②

- 3.3 If the cabinet door isn't flat (Fig. 10), adjust the distance between the door and the cabinet by adjusting the screw (c) to make both doors flat. (Fig.11)

⚠ Warning: The distance between the door and the cabinet should not be too small, otherwise the door can't be opened and may lead to the door rupture.

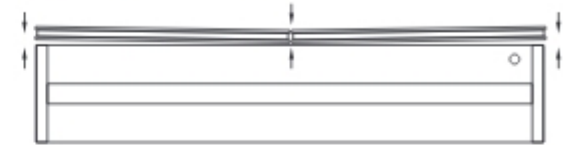
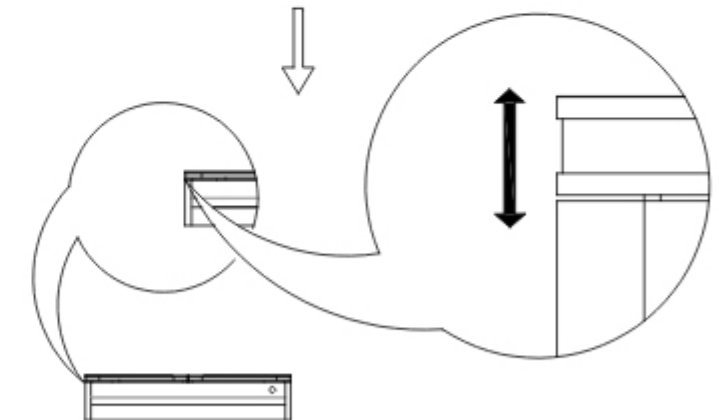
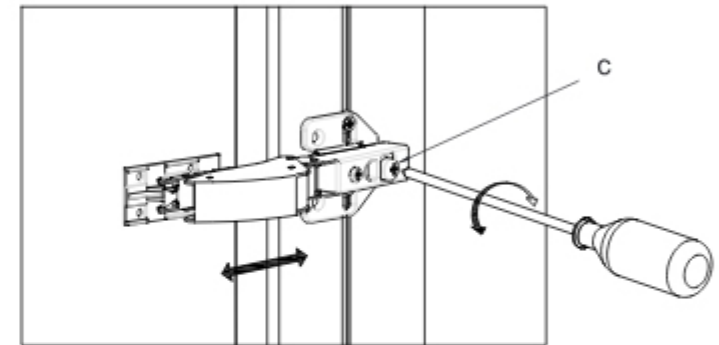


Fig. 10



Rotate CW: Distance between door and cabinet reduces
Rotate CCW: Distance between door and cabinet increases

Fig. 11

⑦

3. Mirror Door Adjustment

3.1 Fix the mirror cabinet, and check if the mirror door is flat; if not (as shown in Fig. 8), adjust the distance of the door opening by adjusting the hinge screw (b) and keep both doors level (Fig. 9).

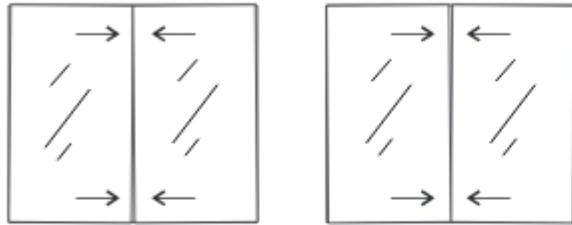
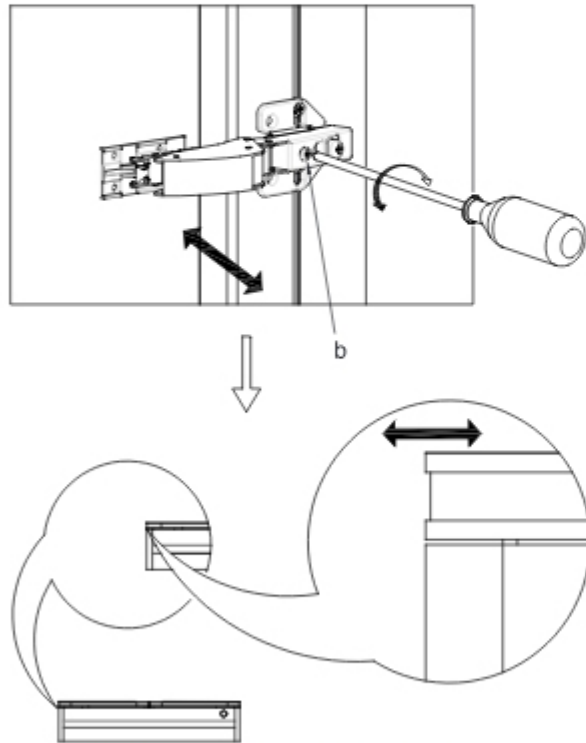


Fig. 8



Rotate CW: Door moves to the center of the mirror cabinet
Rotate CCW: Door moves to both sides of the mirror cabinet

Fig. 9

⑥

Installation Steps:

1. Fixing the bar

- 1.1 Open the product packaging, and check whether the product has any exception or functional damage; if yes, please return it to the dealer.
- 1.2 After selecting the location of the mirror cabinet, check whether the wall is solid, measure the distance of the holes (A, A-1) in the aluminum alloy bar with a tape measure and mark it on the wall with a pencil (Fig. 1).
- 1.3 Drill holes in the marked position with electric drill and $\varnothing 8$ drill bit, and use special ceramic drill if the wall surface is ceramic tile.
- 1.4 Knock the expansion plugs into the holes in the wall with a hammer, and then tighten the screws with a screwdriver to fix the bar, and calibrate the level with a spirit level (Fig. 2).

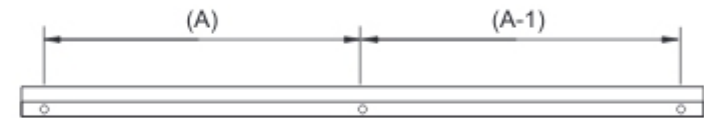


Fig. 1

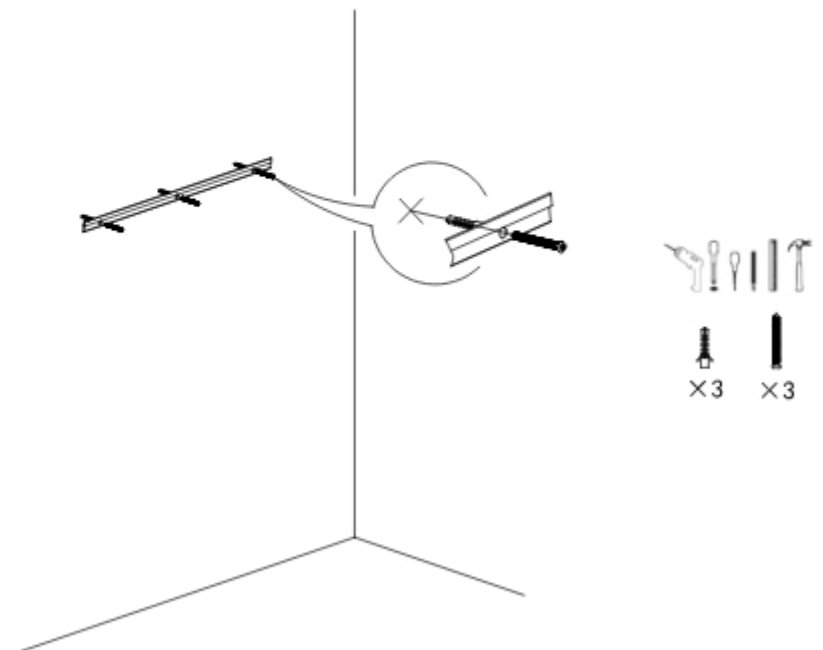


Fig. 2

③

2. Positioning and Installation of Mirror Cabinet:

- 2.1 Attach the mirror cabinet to the bar as shown in Fig. 3, open the cabinet door, and mark on the wall with a pencil (Fig. 4) through the backplane hole (a).
- 2.2 Remove the mirror cabinet, drill the fixing hole in the wall in the marked position, and place the expansion plugs (Fig. 5).
- 2.3 Repeat the operation as shown in Fig. 3 and mount the mirror cabinet to the bar, make sure that the circuit on the wall is not energized and connect the three-core wire reserved on the wall to the three-core wire terminal block on the product (Fig. 6), and then tighten the screws on the backplane.
- 2.4 Finally, turn on the main switch, and test if the switch works normally (Fig. 7).

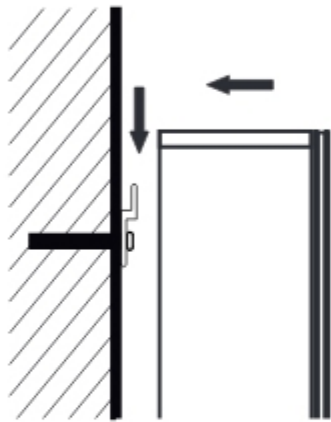


Fig. 3

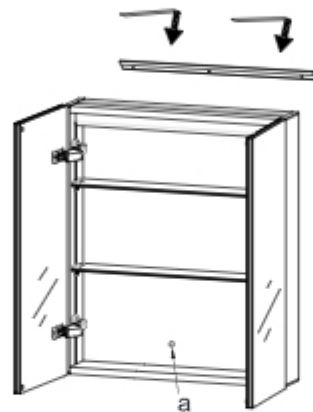


Fig. 4

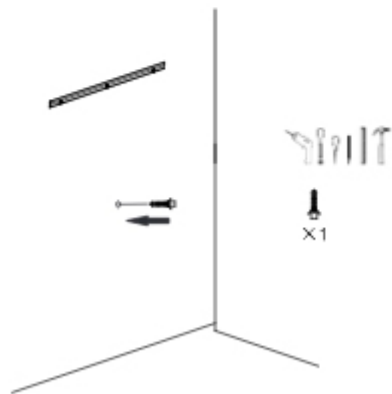


Fig. 5

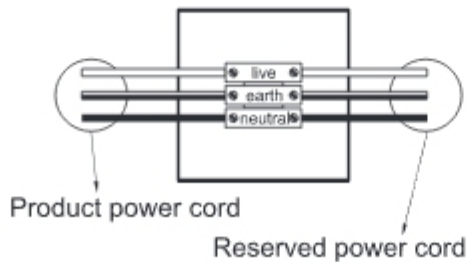


Fig. 6

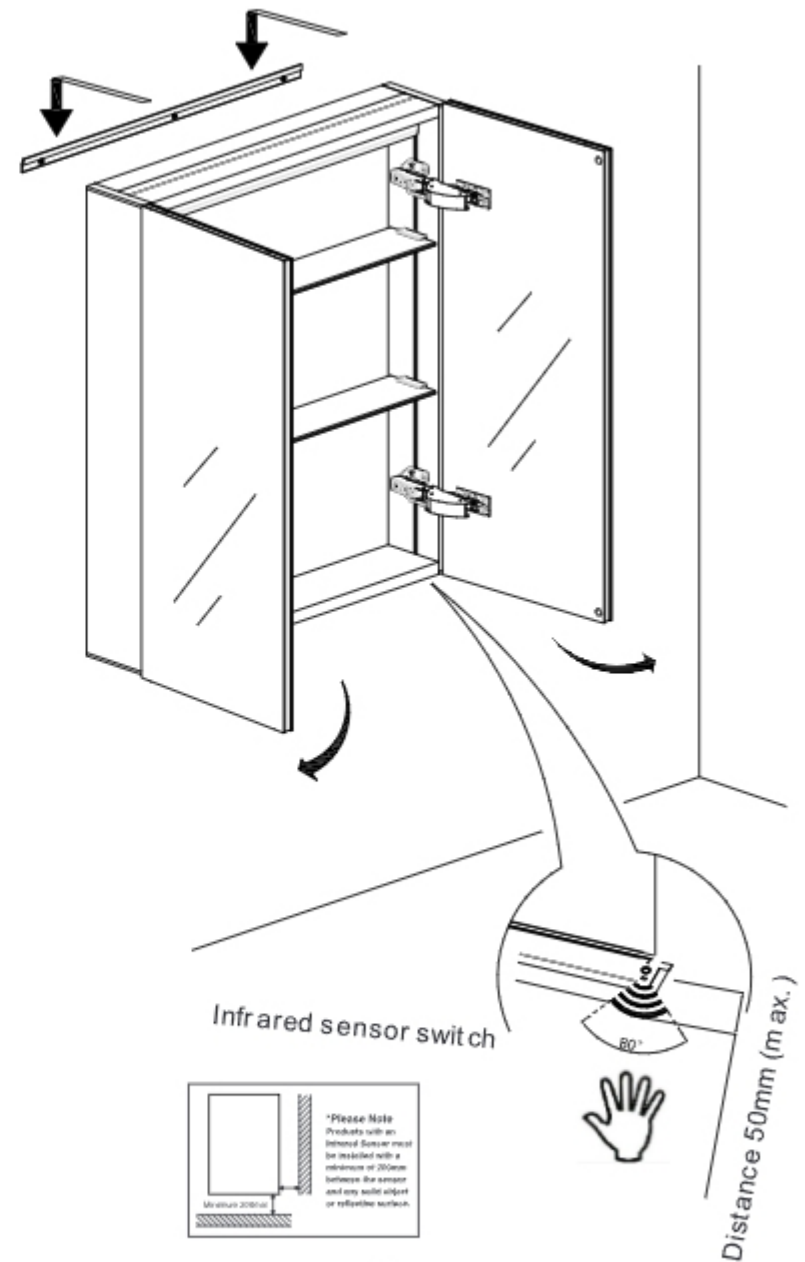


Fig. 7