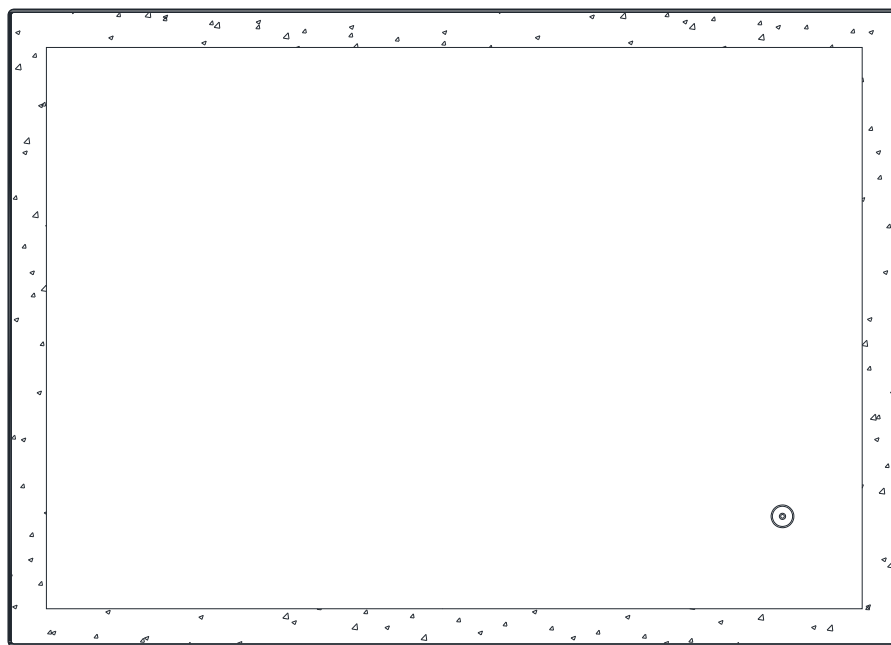
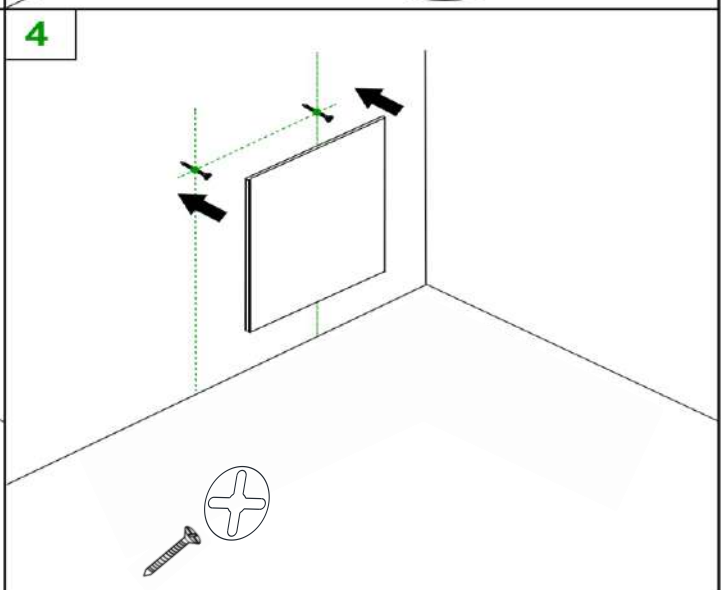
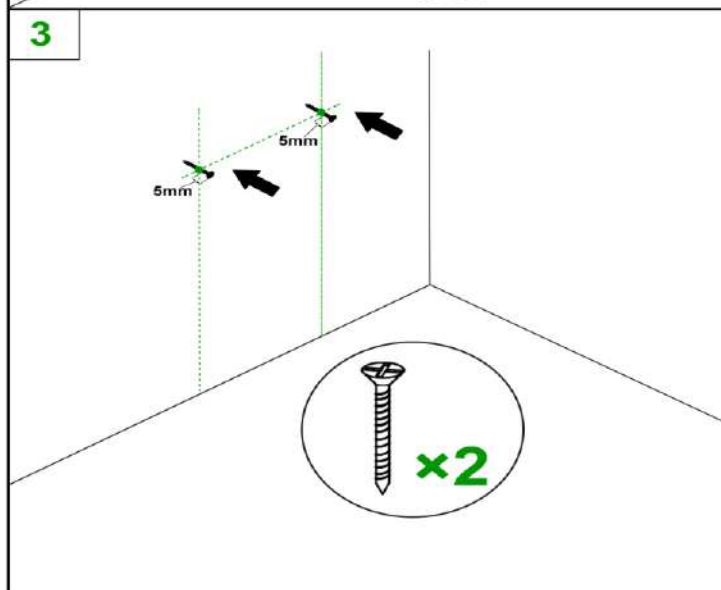
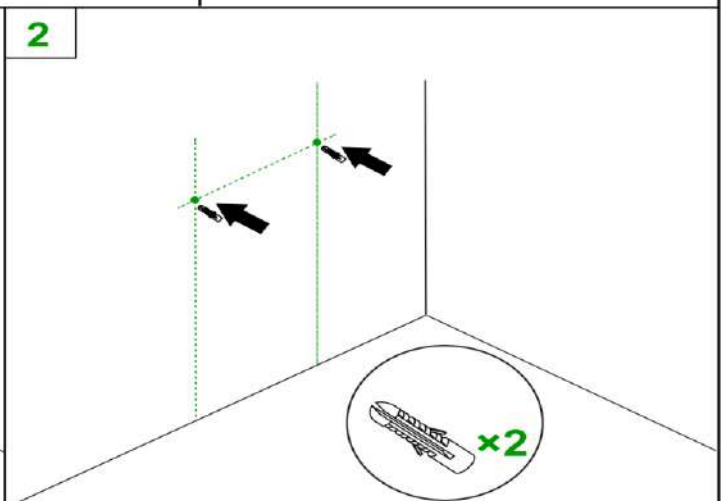
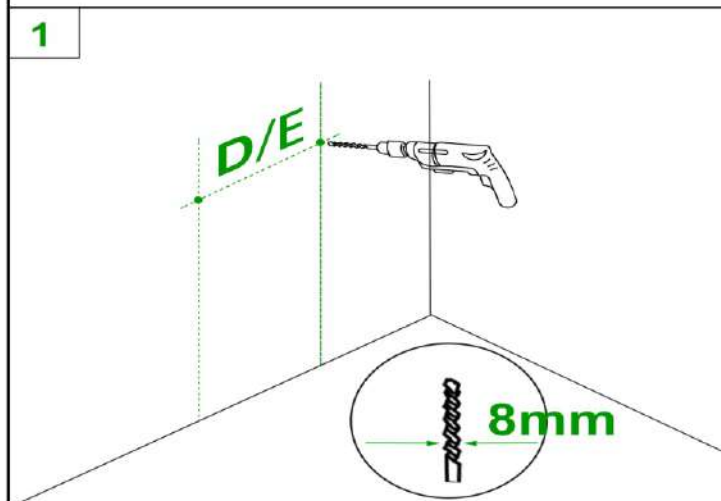
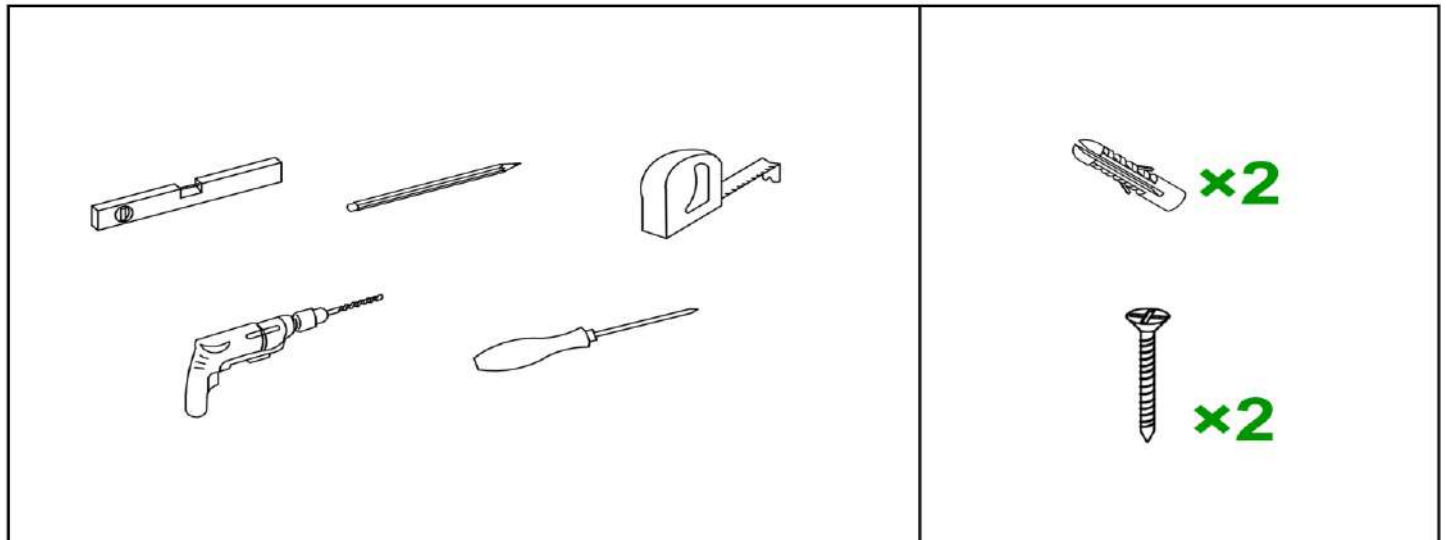
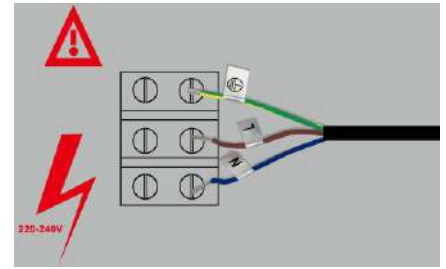
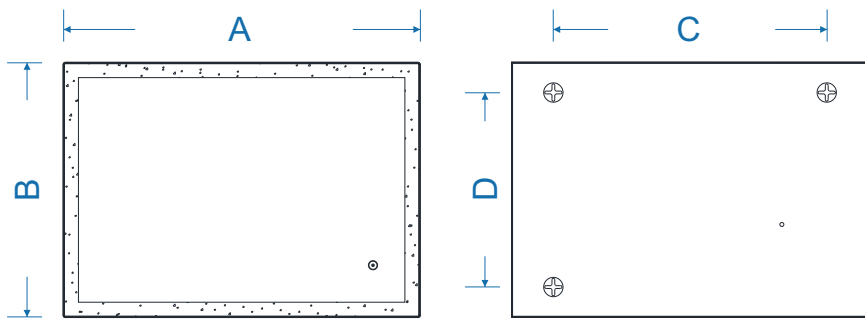


Installation Instruction

LED Mirror







ENGLISH
IMPORTANT!

Always shut off power to the circuit before starting installation work. In some countries electrical installation work may only be carried out by an authorised electrical contractor. Contact your local electricity authority for advice.

INSTALLATION IN BATHROOMS

The installation shall be carried out by an authorised electrical contractor. The luminaire must be permanently installed in the electric system and placed in the correct zone.

Different materials require different types of fittings. Always choose screws and plugs that are specially suited to the material.

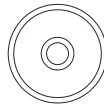
CAUTION!

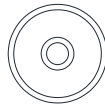
The light source of this product is a non-replaceable light emitting diode (LED).

Please do not disassemble the product (if the LED is damaged and needs to be replaced, please replace the whole strip).

Cleaning

Use a damp cloth, never a strong cleaning agent.



		
ENGLISH	Short press on/off button to turn on or off LED and demisting; Long press to adjust brightness; double-click to switch colour temperature.	If there is no operation within 60 minutes after switching on the LED and demisting, the LED and demisting are automatically switched off. Memory function is included.

Technical Helpline: 01452 317890
Open Monday – Friday
8am to 5pm
Email: technical@eastbrookco.com