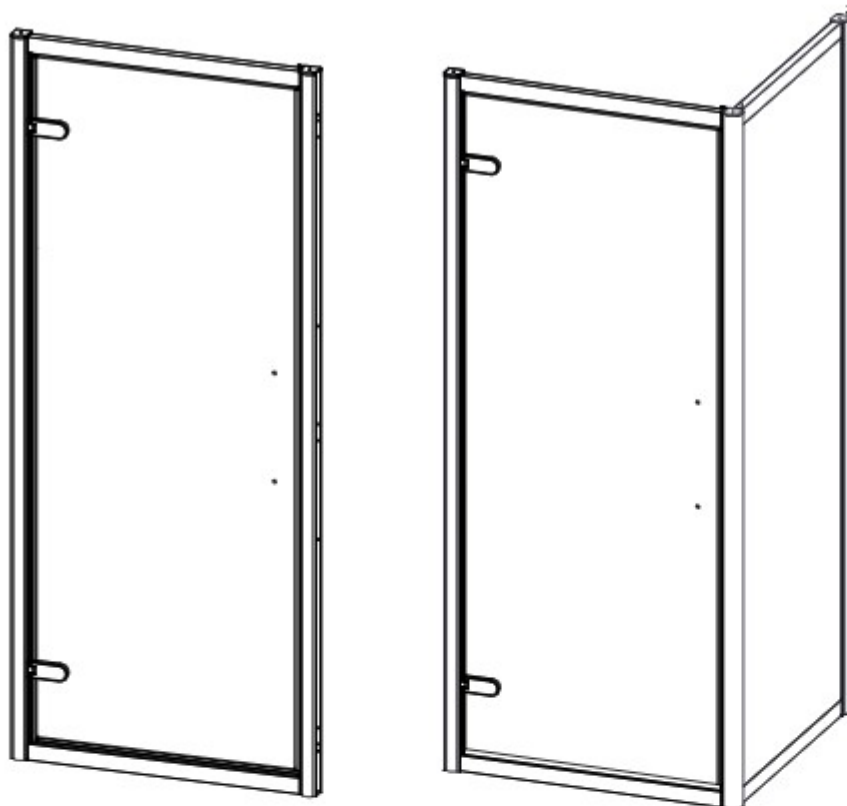


CLASSIQUE

HINGED DOOR & SIDE PANEL

Burlington®



Optional handle & profile finial (not supplied with shower doors)

PRODUCT CODES:

CQHDSC0800
CQHDSC0900
CQHDSC1000
CQHDGC0800
CQHDGC0900
CQHDGC1000
CQHDL0800
CQHDL0900
CQHDL1000

CQSPSC0800
CQSPSC0900
CQSPGC0800
CQSPGC0900
CQSPLC0800
CQSPLC0900

CQ1909HDFNC
CQ1909HDFNG
CQ1909HDFNL
CQ1909PRFNC
CQ1909PRFNG
CQ1909PRFNL
CQ1850HDFNC
CQ1850HDFNG
CQ1850HDFNL
CQ1850PRFNC
CQ1850PRFNG
CQ1850PRFNL



IMPORTANT INFORMATION

Please read carefully and keep this information for further reference.

BEFORE STARTING THE INSTALLATION ENSURE ALL THE DOOR SIZE MEASUREMENTS CORRESPOND WITH THE INSTALLATION AREA INCLUDING THE FINISHED TILED/PANELLED WALLS. RETURNS DUE TO INCORRECT SIZING WILL NOT BE ACCEPTED.

Check the contents of the pack carefully before installation. Burlington will not be held responsible for any de-fit / re-fit costs where faulty product has been fitted. If any fault is found with materials or workmanship, it must be reported immediately to the manufacturer. Remedial action will be taken, based on information received, on condition that:

1. Full details are supplied to the manufacturer;

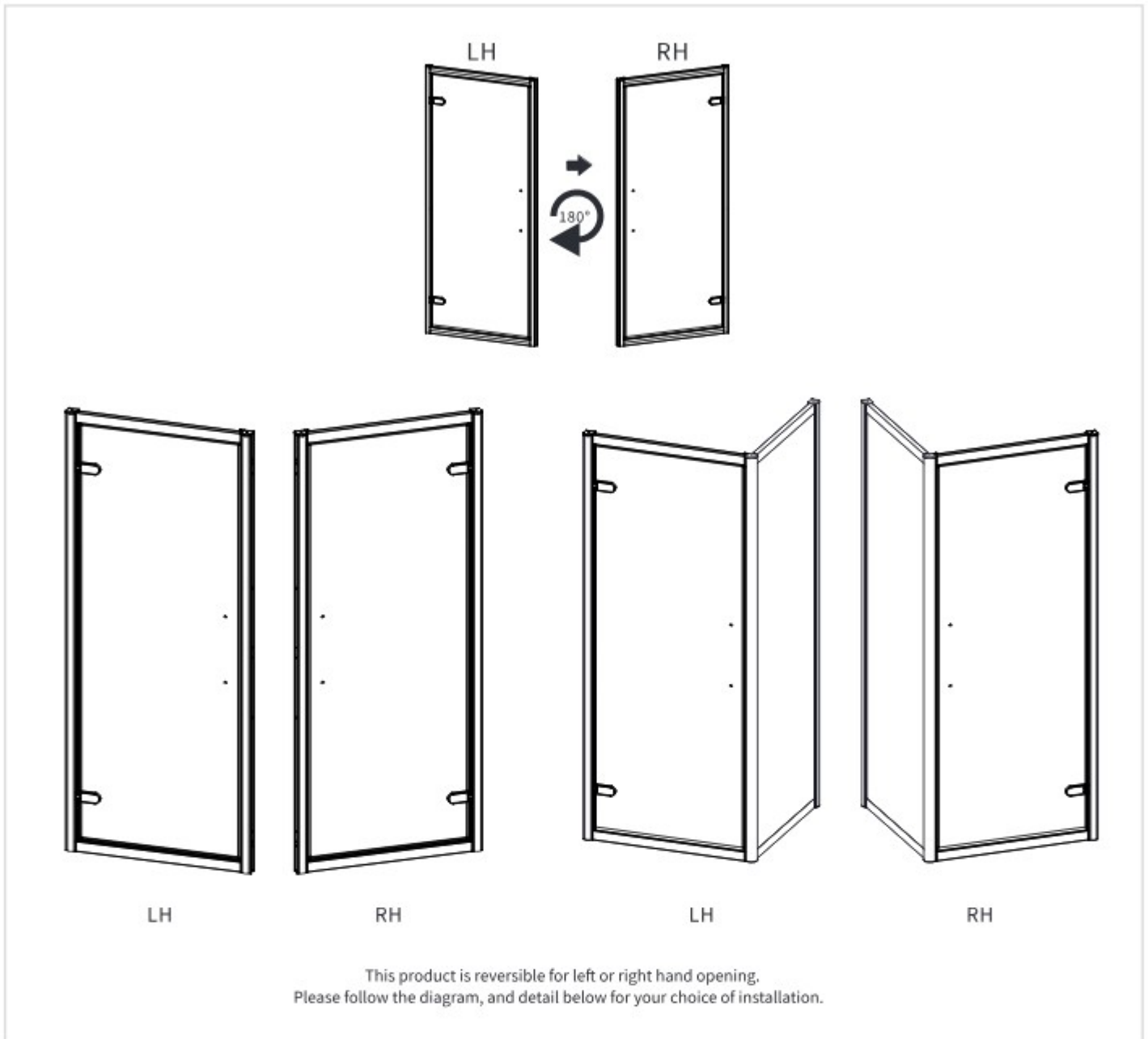
2. The enclosure has not been modified or tampered with;

3. The manufacturer is informed of any damage/shortages prior to installation.

VERY IMPORTANT

You must complete all tiling and grouting, and the shower tray **MUST** be level and fully sealed to the tiles before installation. If you do not fit the enclosure onto a tiled surface, or seal the tiles to the tray before installation, water may soak into the wall behind the wall profiles.

ORIENTATION



IMPORTANT INFORMATION

Please read carefully and keep this information for further reference.

The installation instructions are based on typical use and conditions. All doors are designed to open outwards only. These hints have been prepared for your guidance, you must exercise due care at all times. For Health and Safety 2 people must carry out the installation of this shower enclosure. Handle glass with care. Although the glass supplied is toughened safety glass (EN12150), impacts can damage both the glass and the frame.

BEFORE YOU START

Warning!

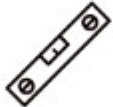








Please check for any hidden pipes or cables before drilling holes in the wall.

When using power tools always follow the manufacturers user instructions.

If the Framework is sealed to the tray on the inside, any water that may get into the framework will not be able to drain back into the tray, this may cause the enclosure to leak.

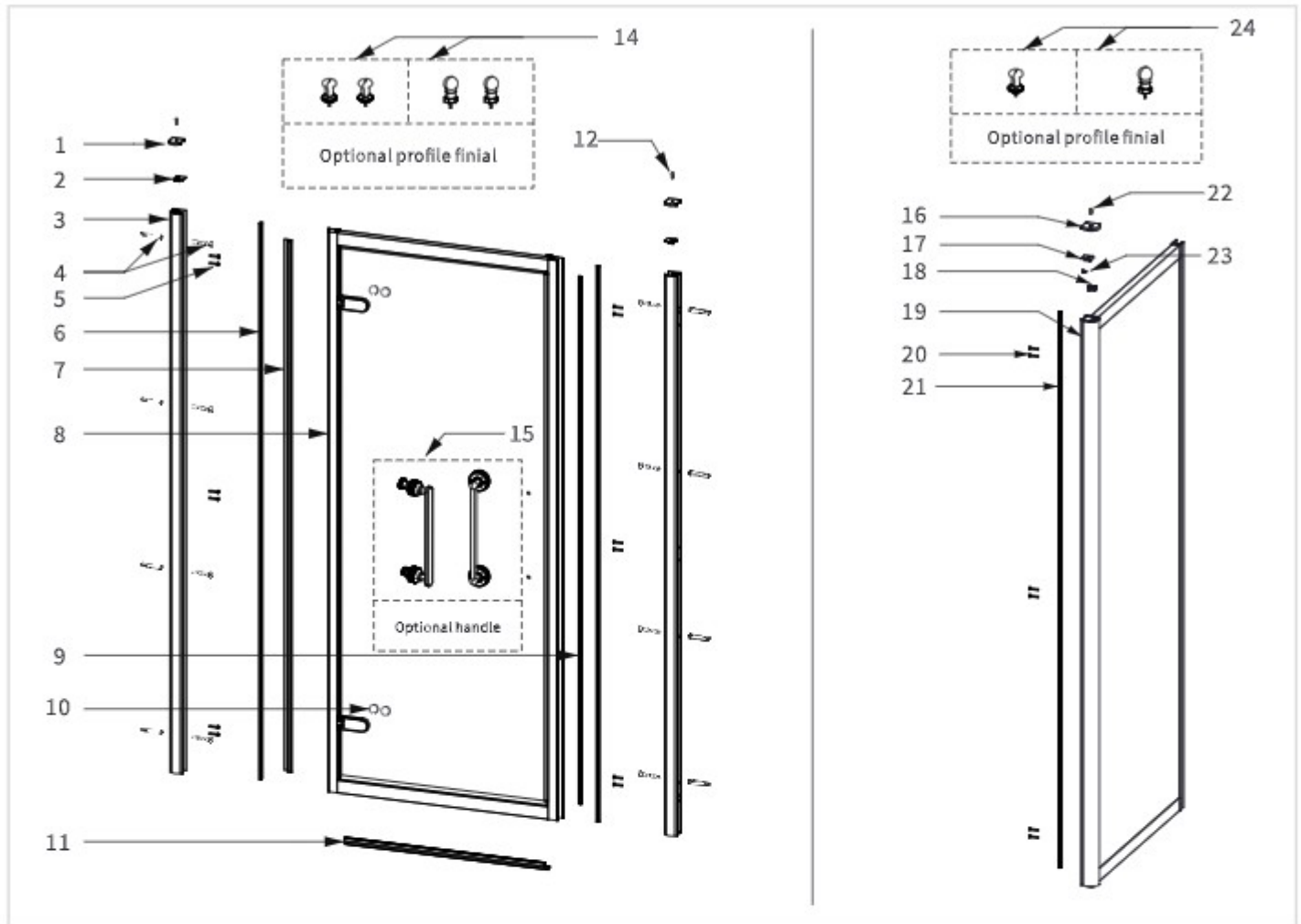
Leave the silicone sealant to dry for 24 hours before using the enclosure.

Tools Required (not supplied):

Spirit Level		Torque Screw Driver	
Pencil		Snips	
Drill		6mm Drill Bit	
Silicone		Measuring Tape	
Knife			

COMPONENTS

Burlington®



1		Wall profile cap L x1 R x1	2		Adjustment profile cap x2	3		Wall profile L x1 R x1	16		Wall profile cap L x1 R x1
4		Wall Plug and 4x30mm Screw x8	5		N5*30 Screw x12	6		Profile Cover x2	17		Adjustment profile cap x1
7		Vertical Door Seal x1	8		Door x1	9		Magnetic Seal x1	18		Fixing part of profile cap x1
10		Hinge cap x4	11		Bottom Seal x1	12		M5*14 Screw x2	19		Side panel x1
13		Ball Head Allen Key 3mm x1 4mm x1	14		Optional profile finial x2	15		Optional handle x1	20		N5*30 Screw x6
									21		Profile Cover x1
									22		M5*14 Screw x1
									23		ST4*12 Screw x1
									24		Optional profile finial x1

INSTALLATION

1

INSIDE

OUTSIDE

TOP

Product	X(mm)
800mm Hinge Door	750-790
900mm Hinge Door	850-890
1000mm Hinge Door	950-990

2

∅ 6x

x4

x4

∅ 6x4

x4

x4

INSTALLATION

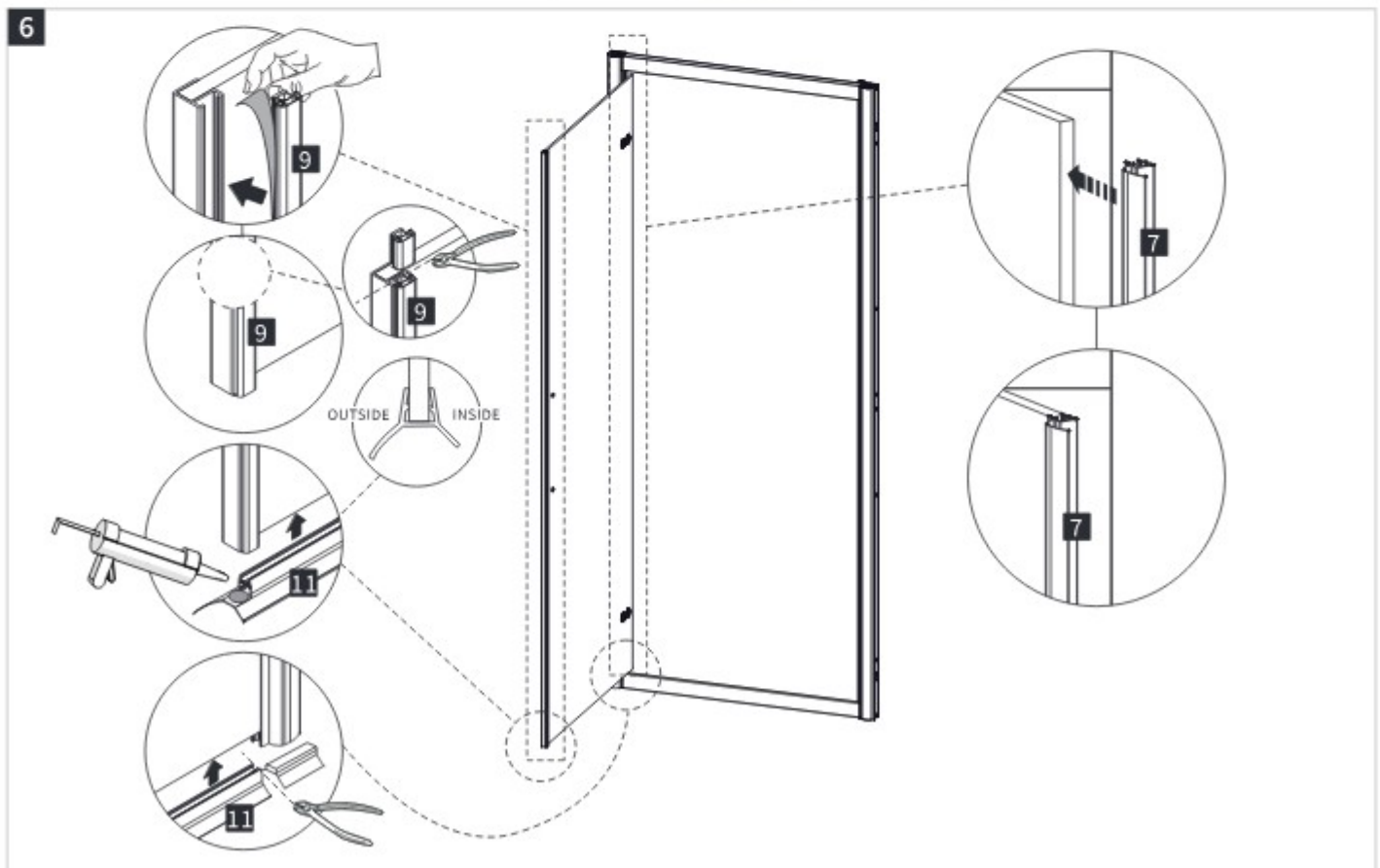
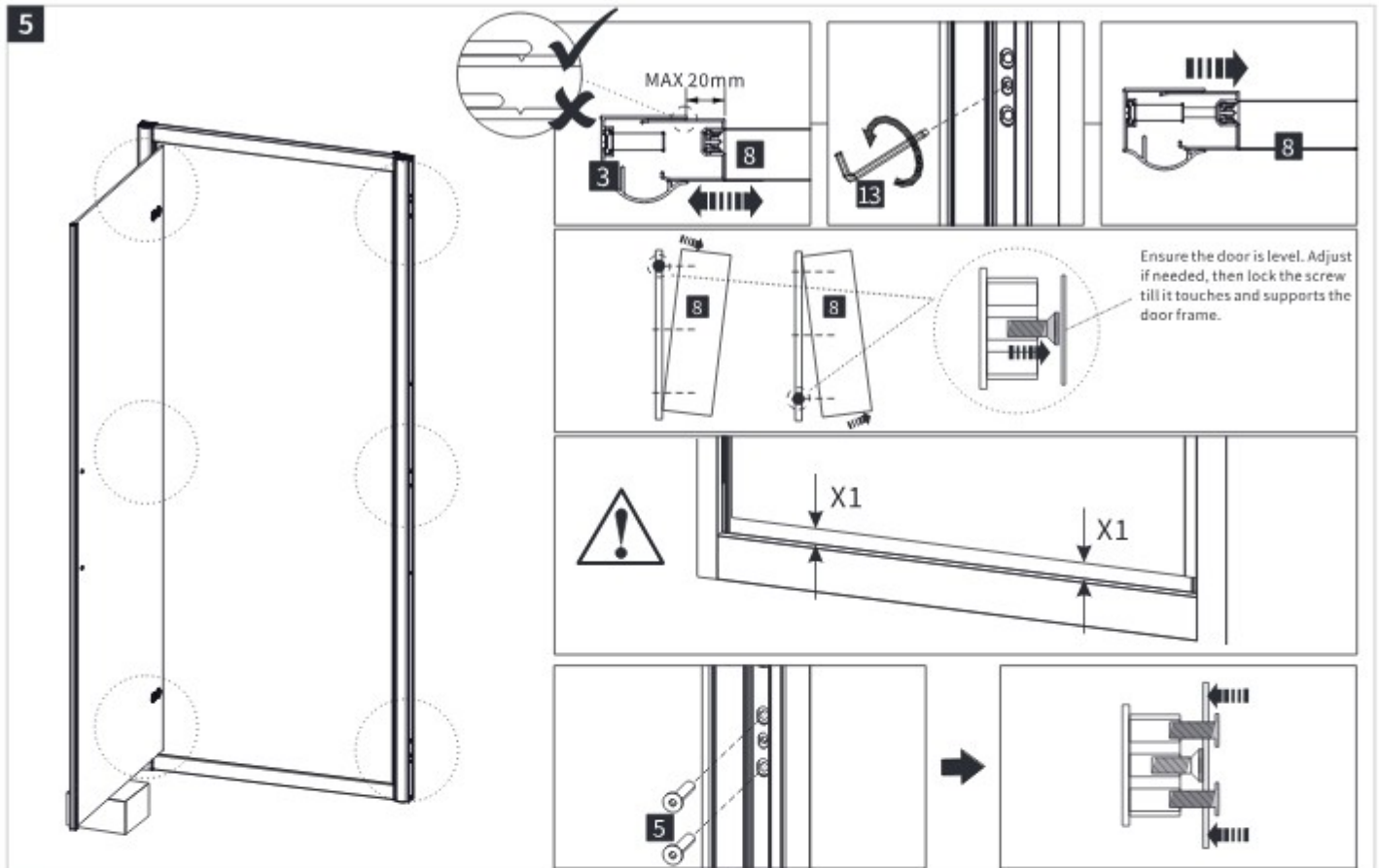
3

Product	X(mm)
800mm Hinge Door	750-790
900mm Hinge Door	850-890
1000mm Hinge Door	950-990

4

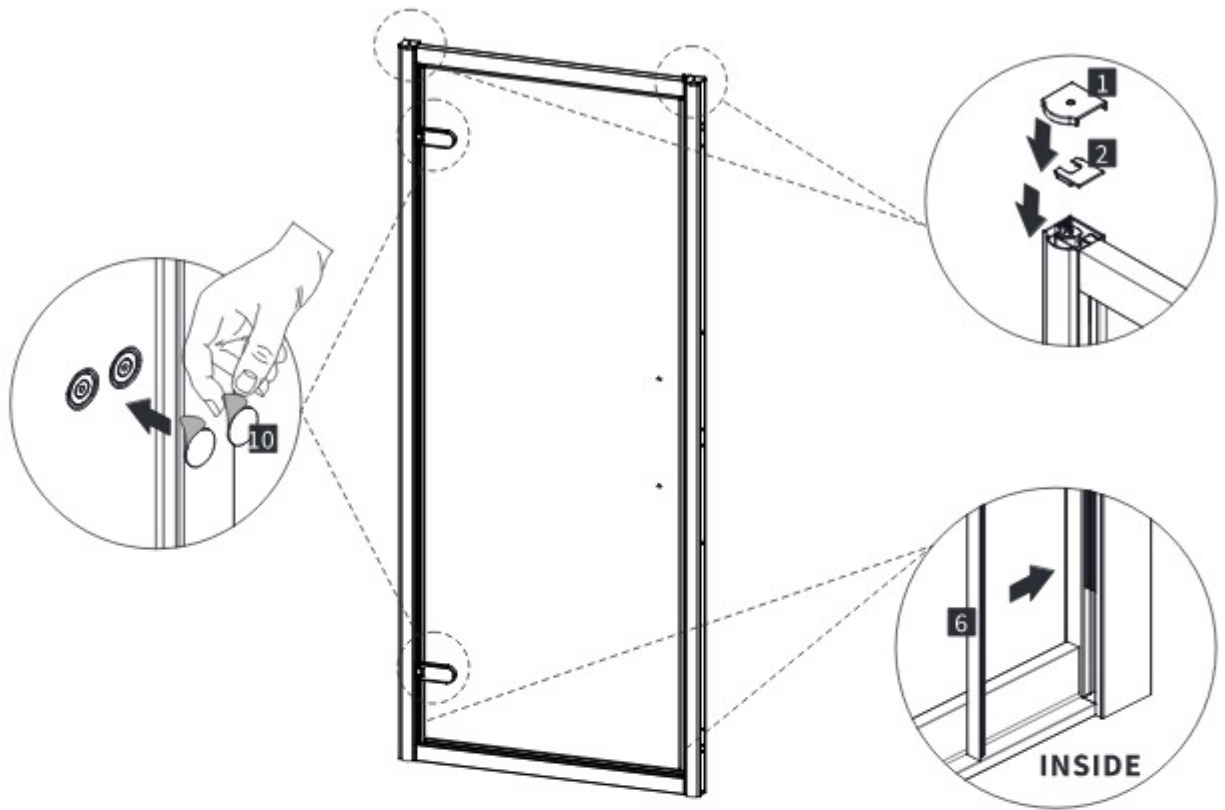
Product	X(mm)
800mm Hinge Door	750-790
900mm Hinge Door	850-890
1000mm Hinge Door	950-990

INSTALLATION

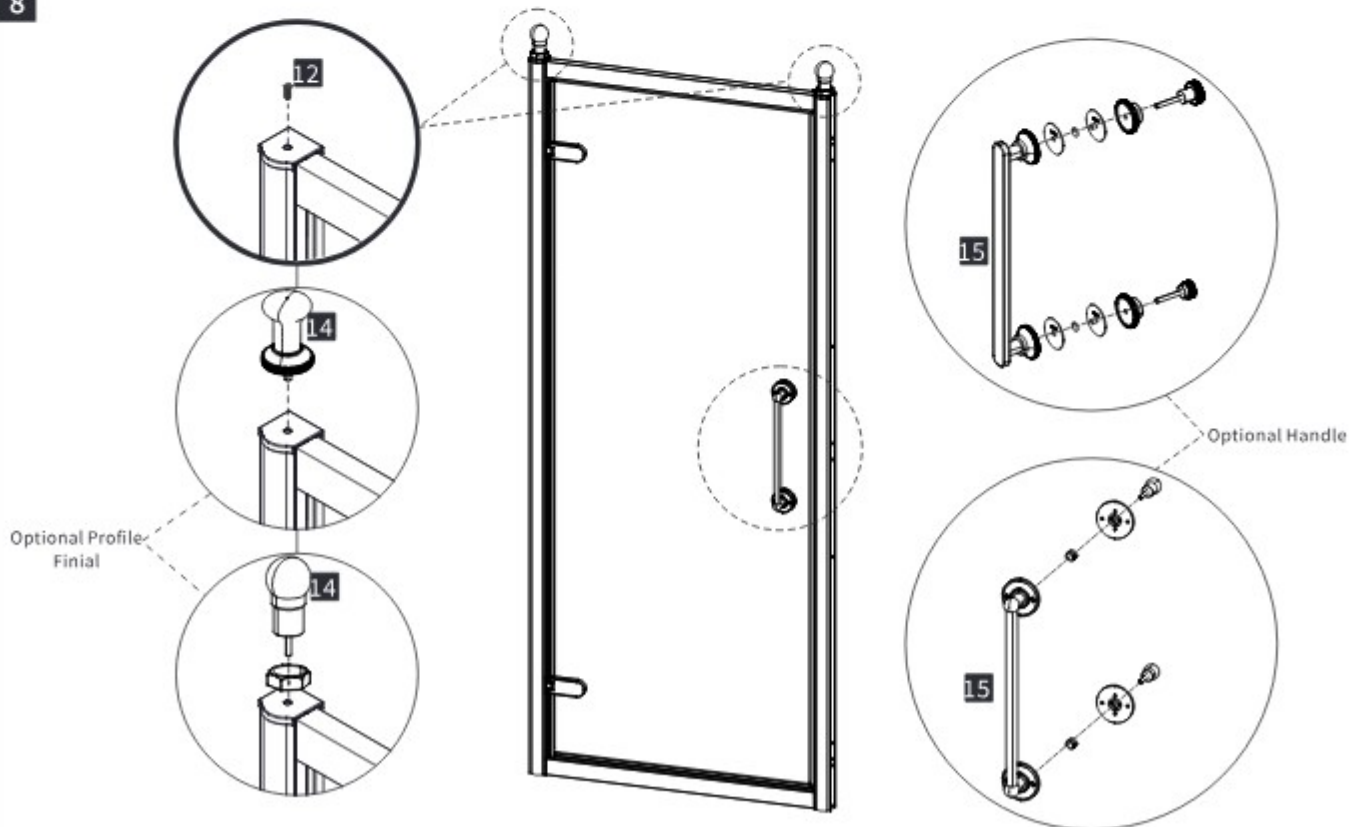


INSTALLATION

7



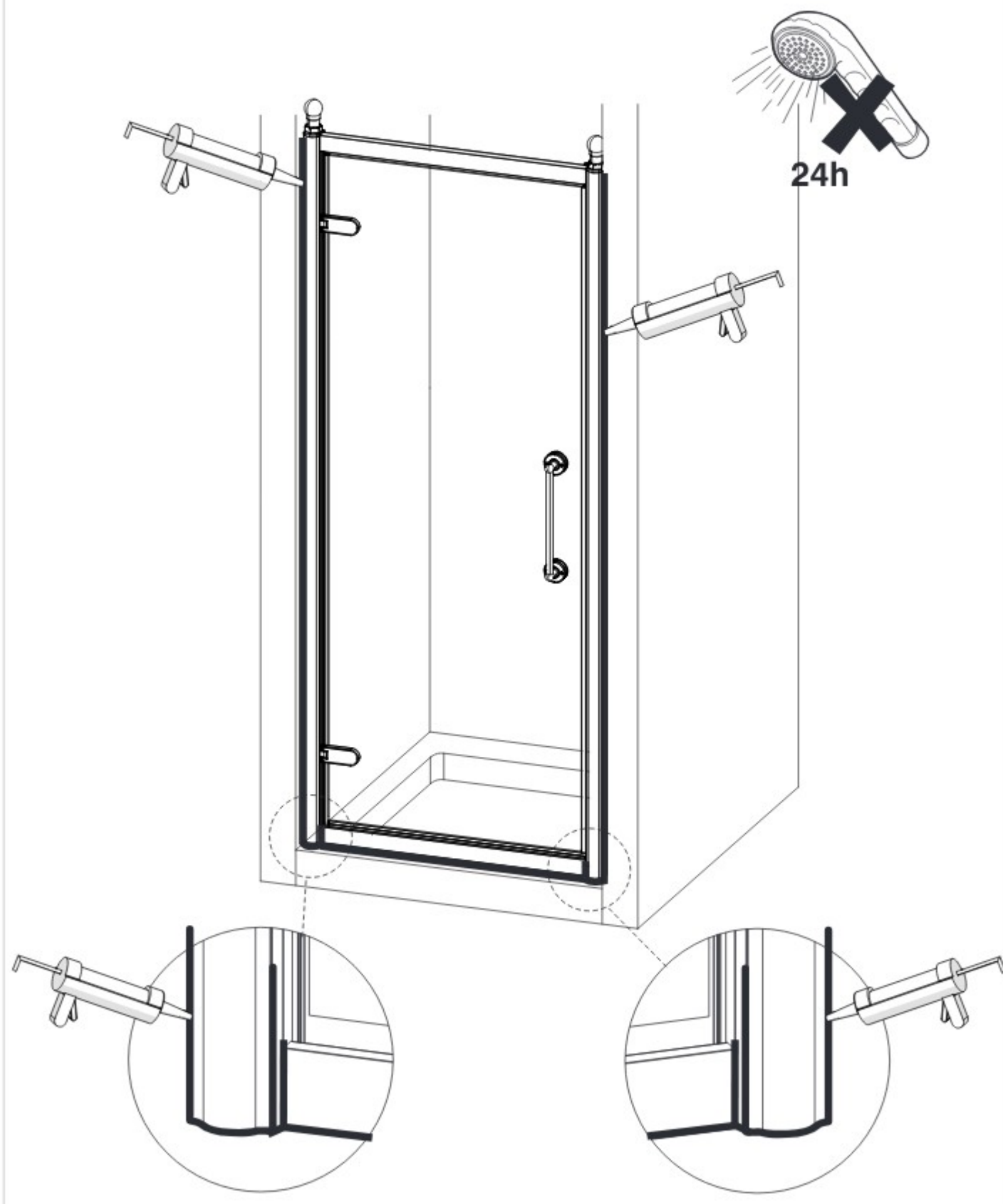
8



INSTALLATION

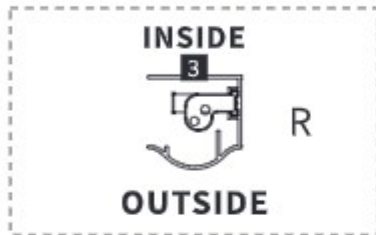
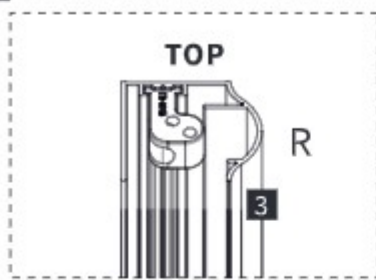
Burlington[®]

9



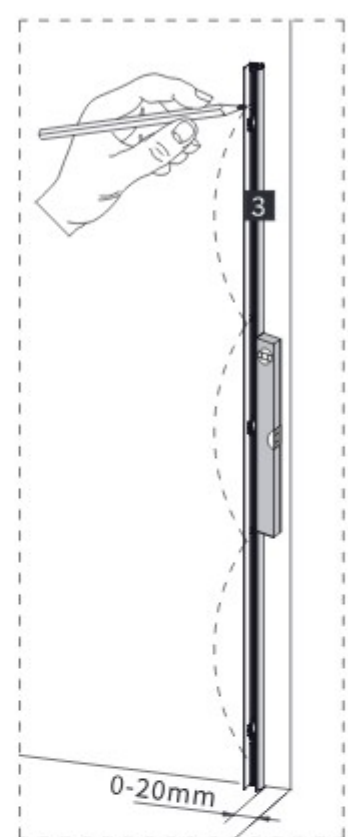
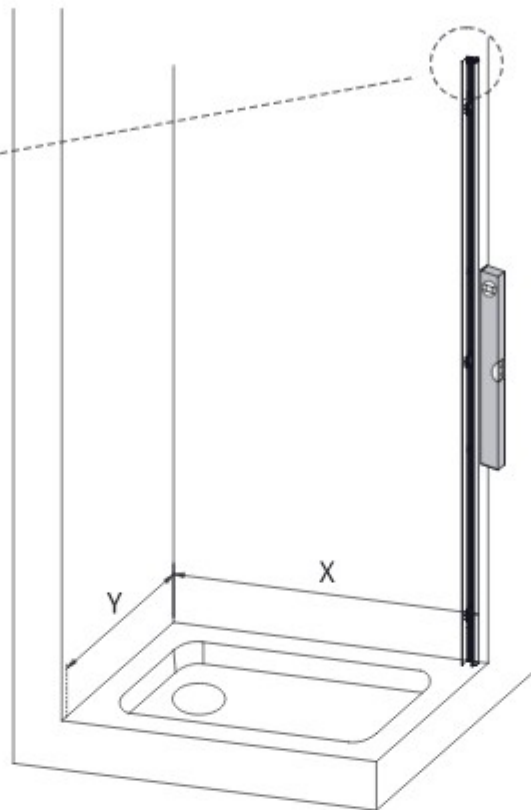
INSTALLATION

10

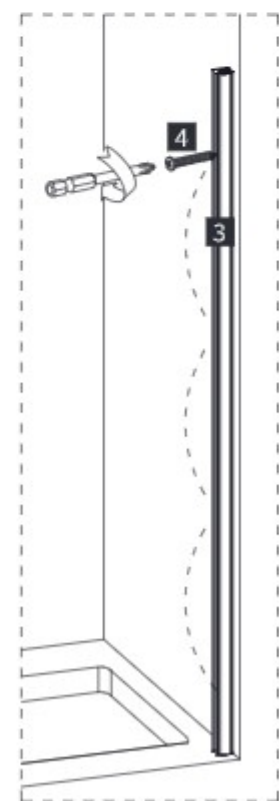
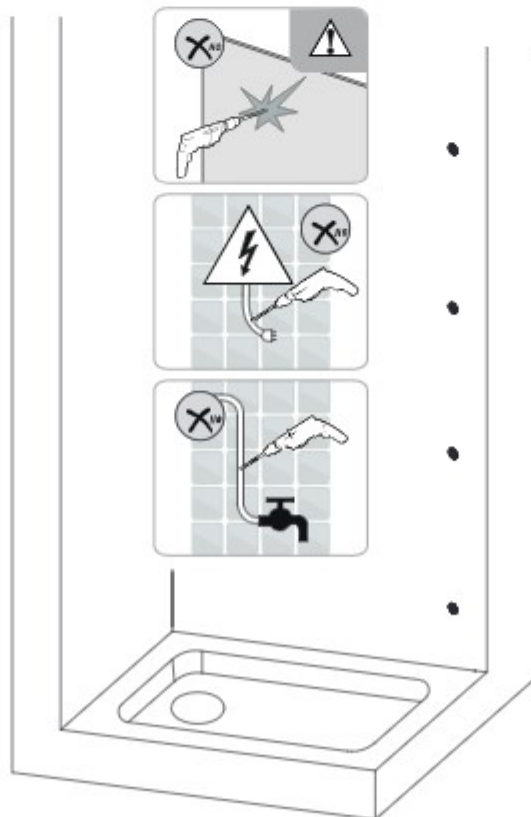
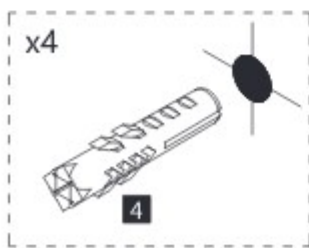
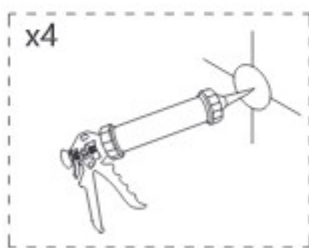
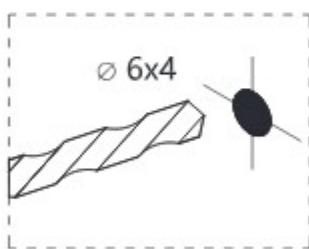


Product	X(mm)
800mm Hinge Door	750-790
900mm Hinge Door	850-890
1000mm Hinge Door	950-990

Product	Y(mm)
800mm Side Panel	770-790
900mm Side Panel	870-890

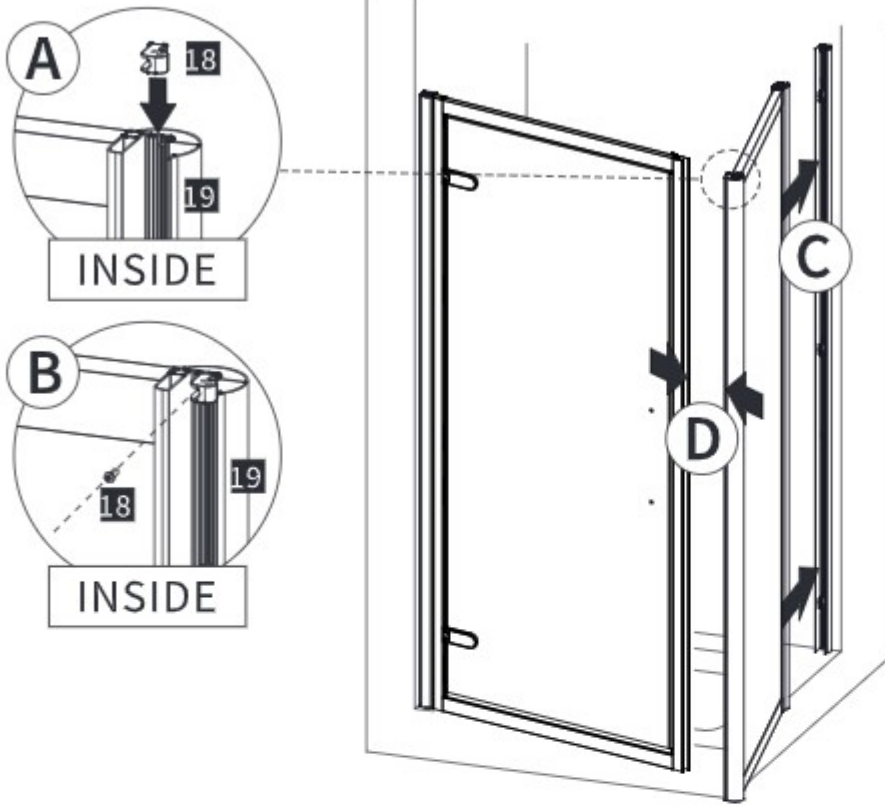


11

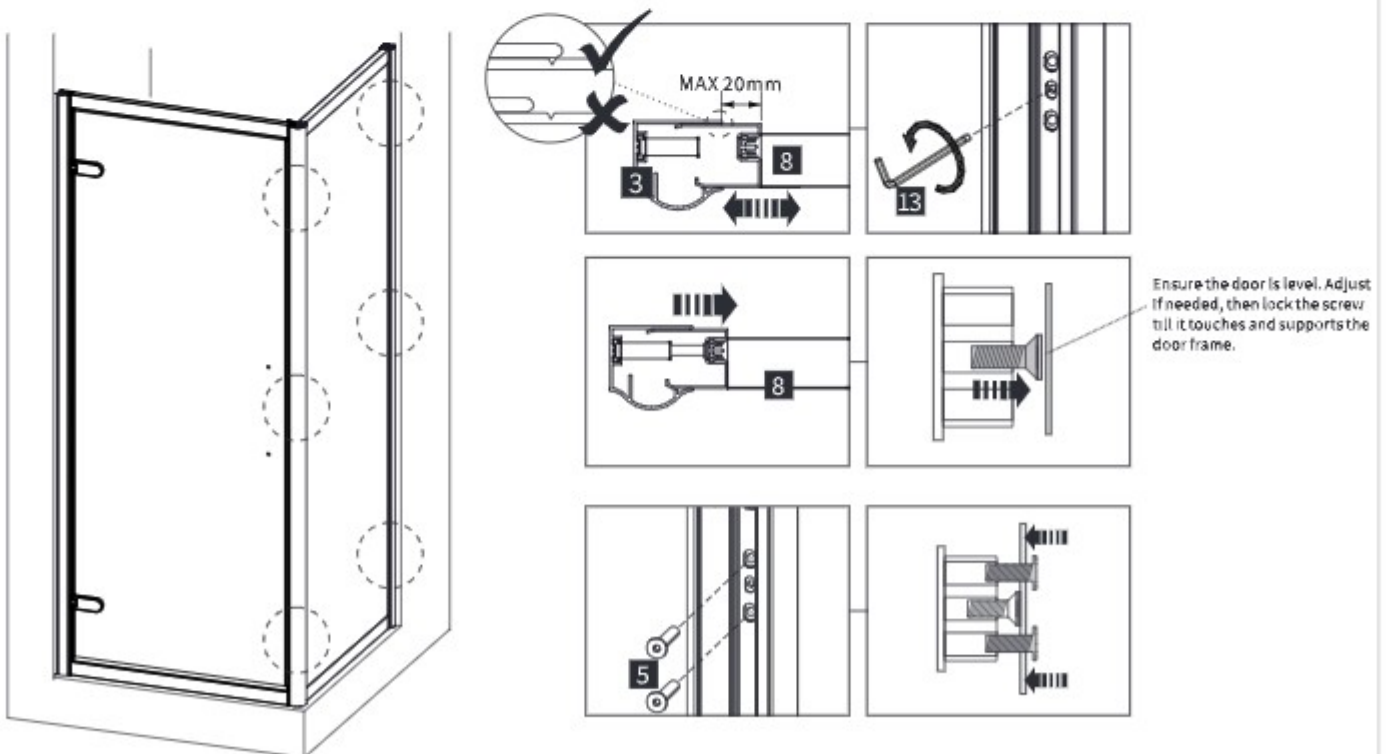


INSTALLATION

12

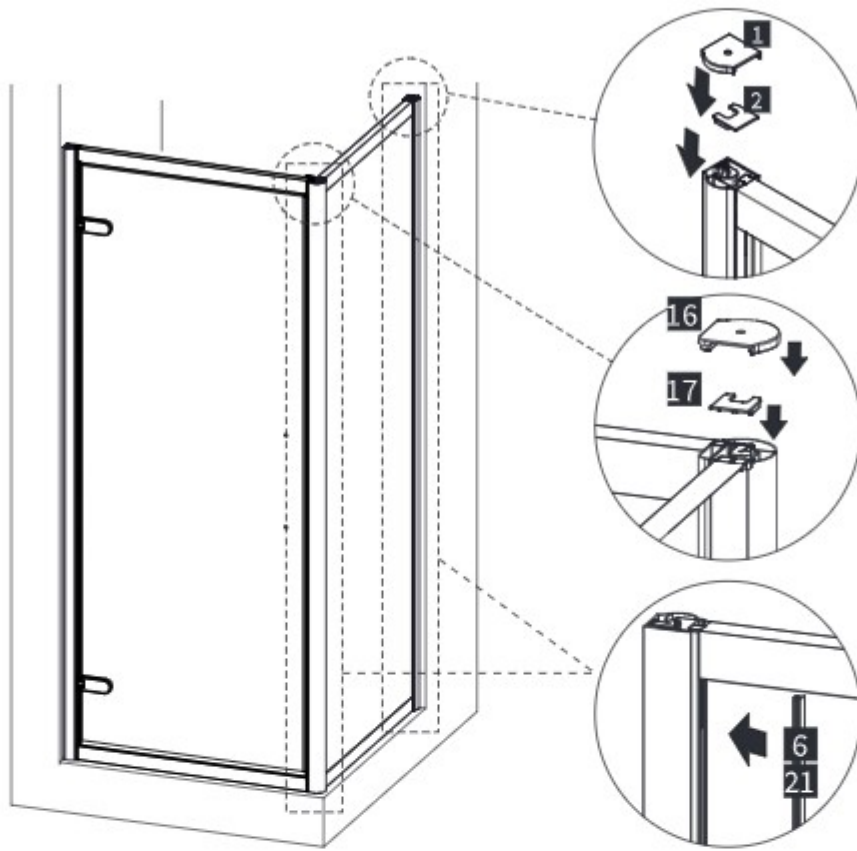


13

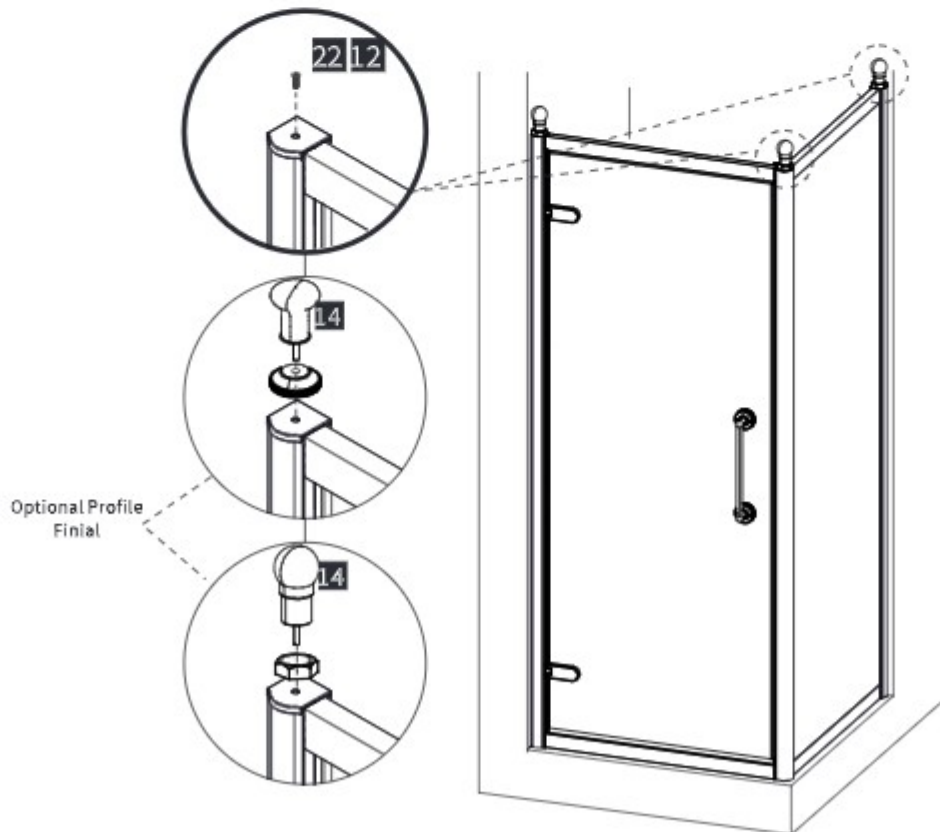


INSTALLATION

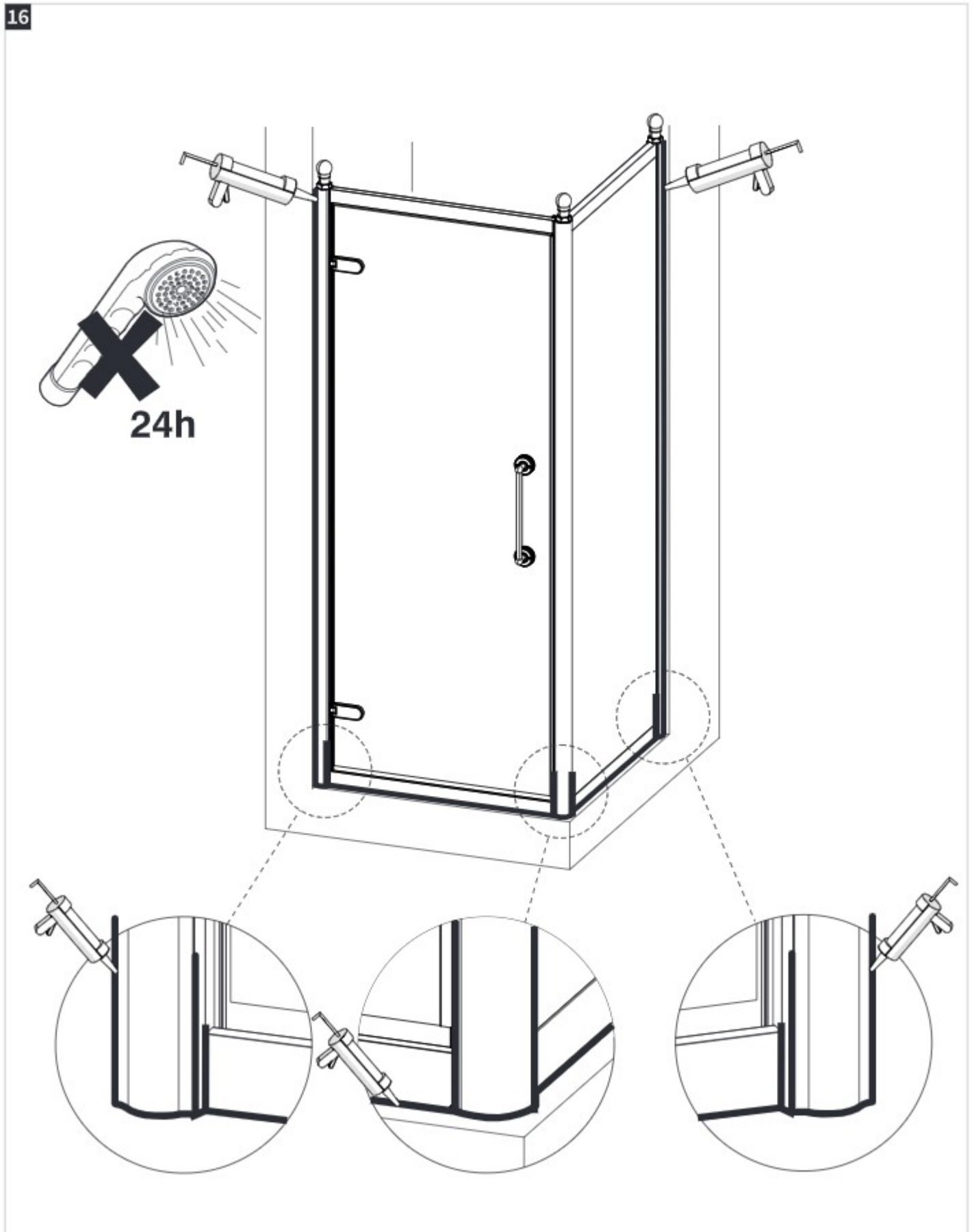
14



15



16



Burlington[®]

CARE & MAINTENANCE

Do not use solvents or abrasive materials or chemicals to clean shower doors.

PH < 6.8, PH > 7.2

Only use soapy water and soft cloth, rinse thoroughly afterwards.

PH = 6.8 - 7.2



Burlington[®]

Part of the
Bathroom Brands Group

We reserve the right to make technical modifications without prior notice.

Burlington[®]

Lake View House
Rennie Drive, Dartford
Kent DA1 5FU
United Kingdom
0345 873 8840
www.crosswater.co.uk