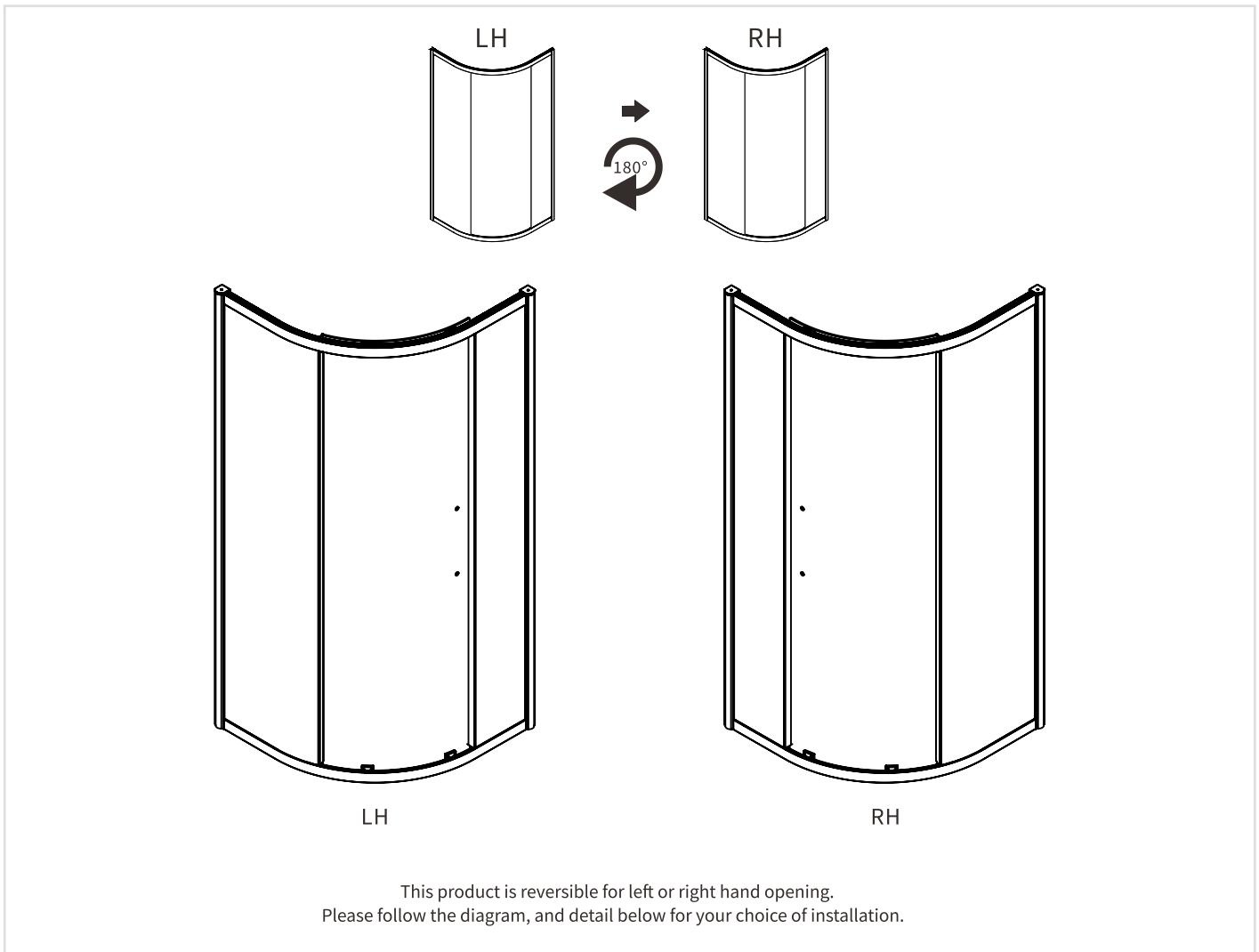


## ORIENTATION



### IMPORTANT INFORMATION

**Please read carefully and keep this information for further reference.**

The installation instructions are based on typical use and conditions. All doors are designed to open to the left or right. These hints have been prepared for your guidance, you must exercise due care at all times. For Health and Safety 2 people must carry out the installation of this shower enclosure. Handle glass with care. Although the glass supplied is toughened safety glass (EN12150), impacts can damage both the glass and the frame.

## BEFORE YOU START

### Warning!










Please check for any hidden pipes or cables before drilling holes in the wall.

When using power tools always follow the manufacturers user instructions.

If the Framework is sealed to the tray on the inside, any water that may get into the framework will not be able to drain back into the tray, this may cause the enclosure to leak.

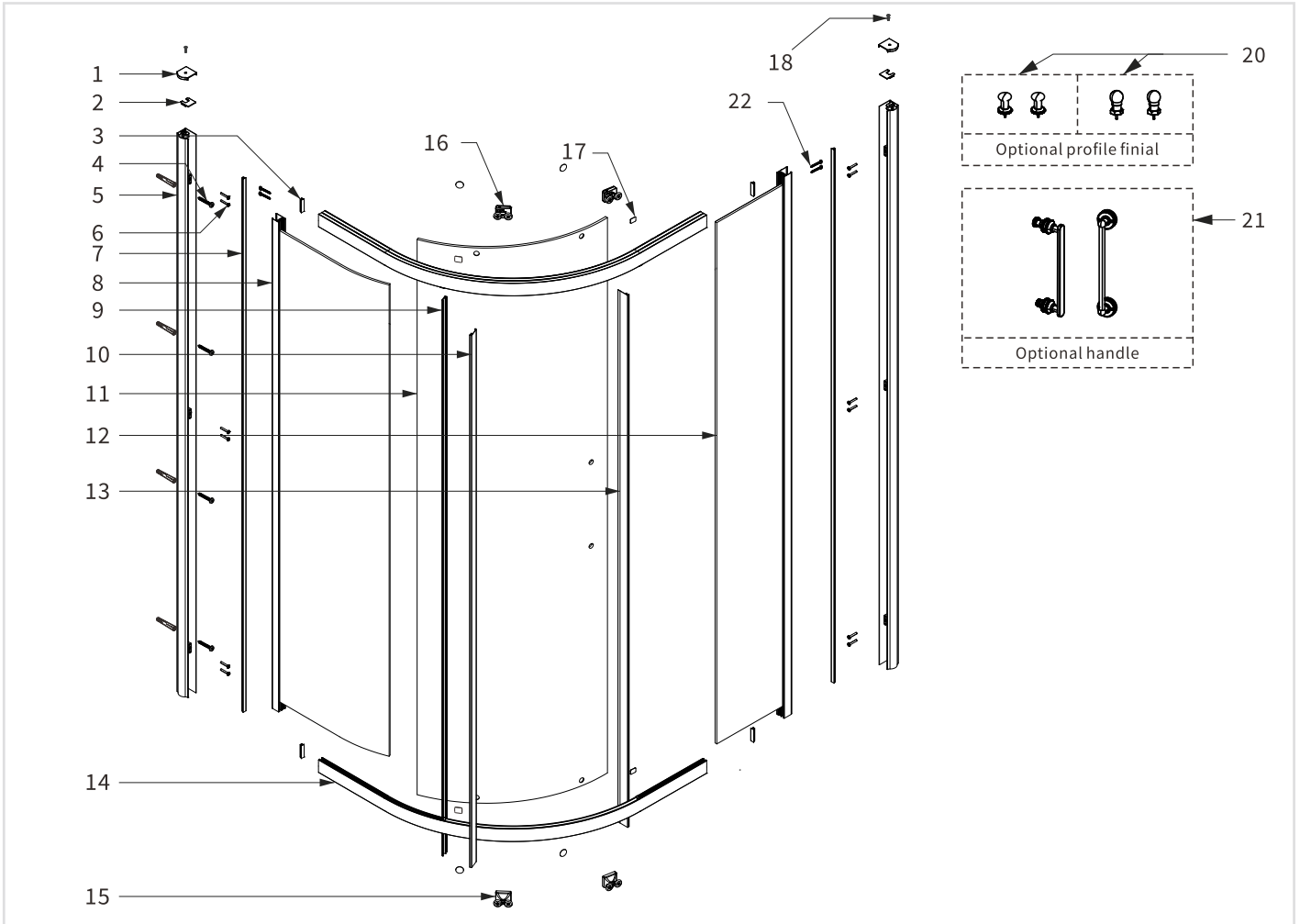
Leave the silicone sealant to dry for 24 hours before using the enclosure.

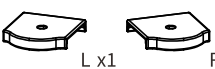
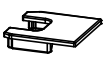


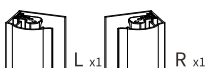



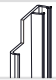

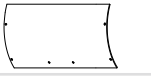
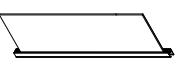


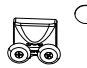





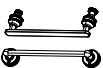

### Tools Required (not supplied):

Spirit Level		Torque Screw Driver	
Pencil		Snips	
Drill		6mm Drill Bit	
Silicone		Measuring Tape	
Knife			

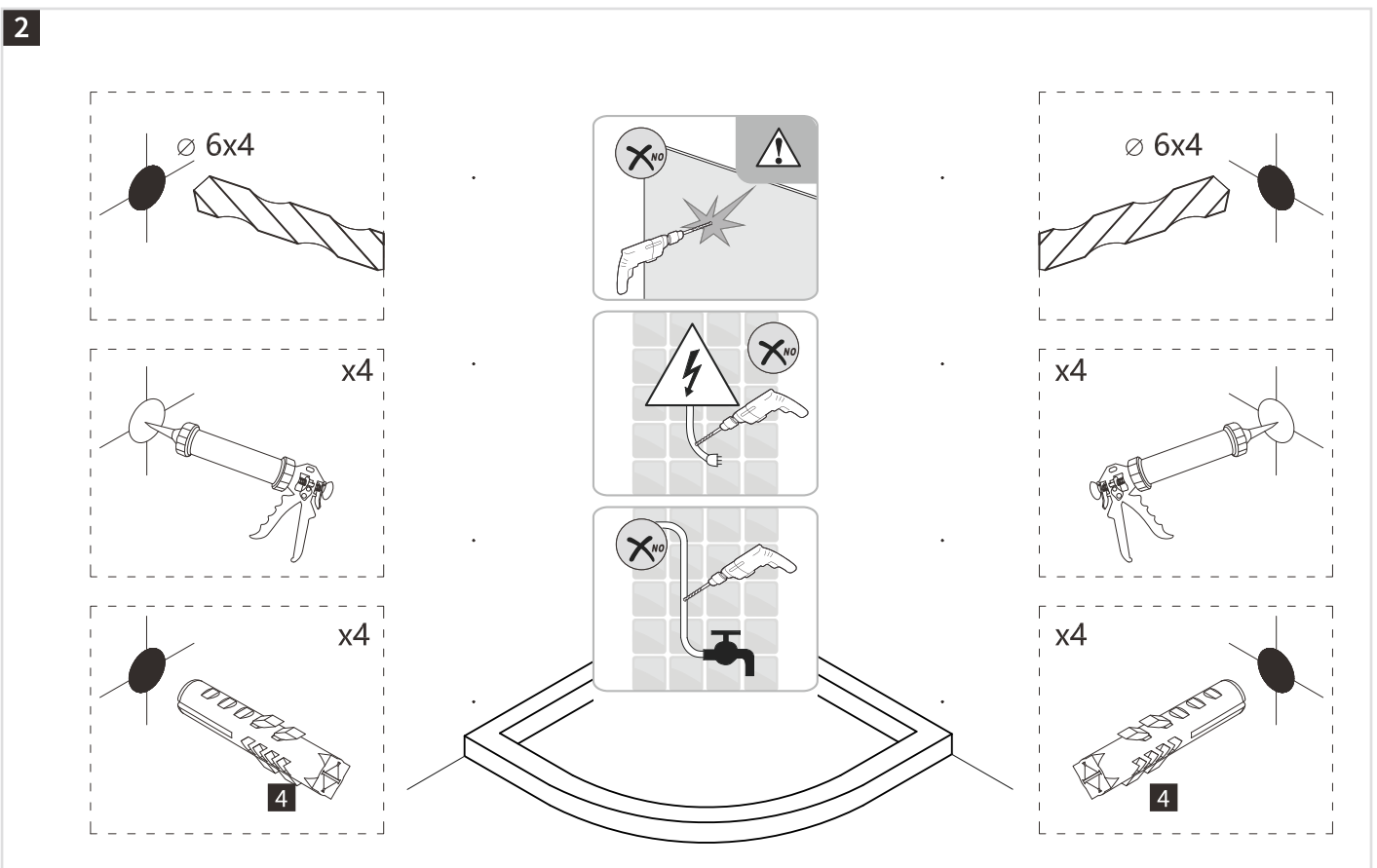
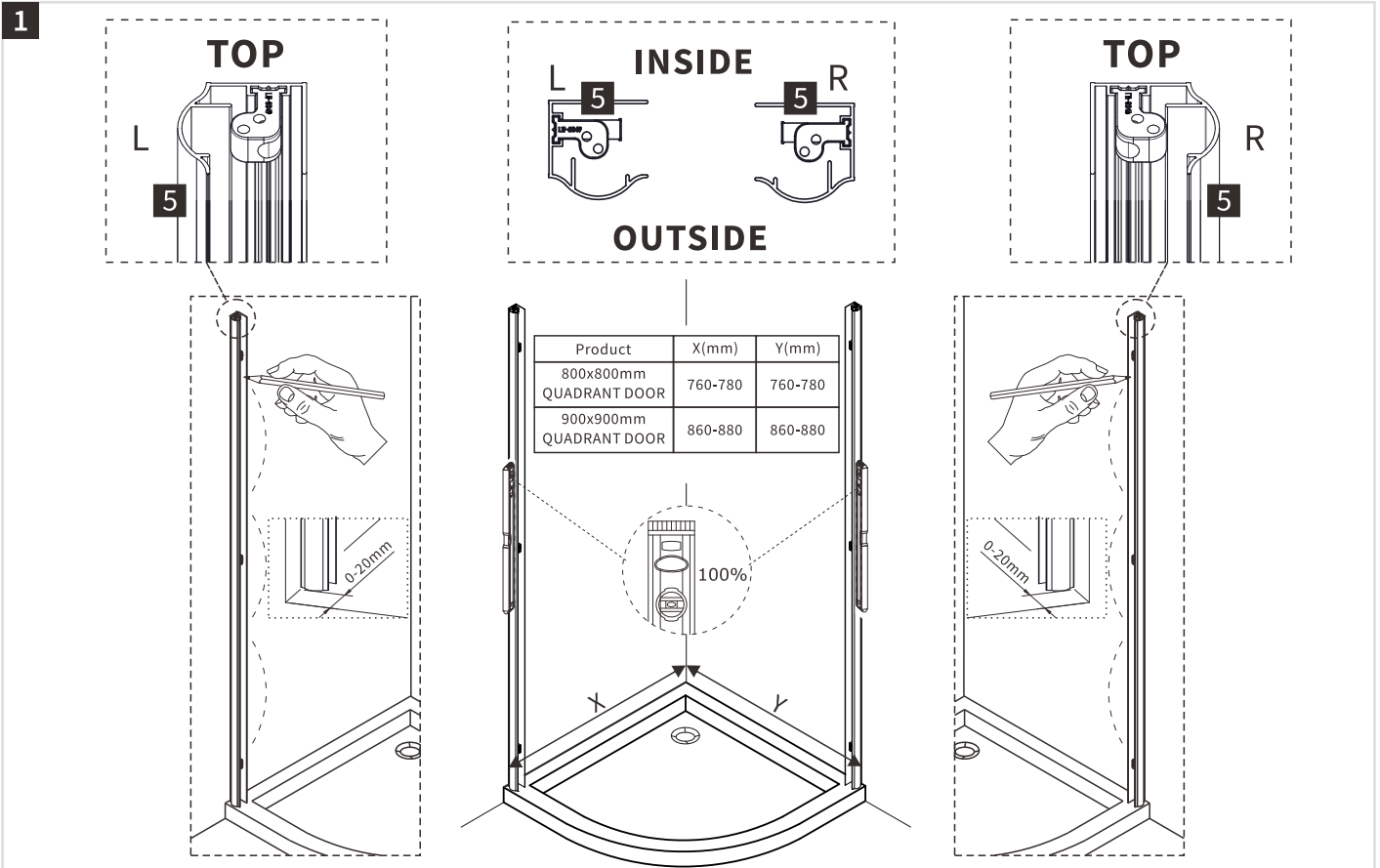
**COMPONENTS**

*Burlington®*



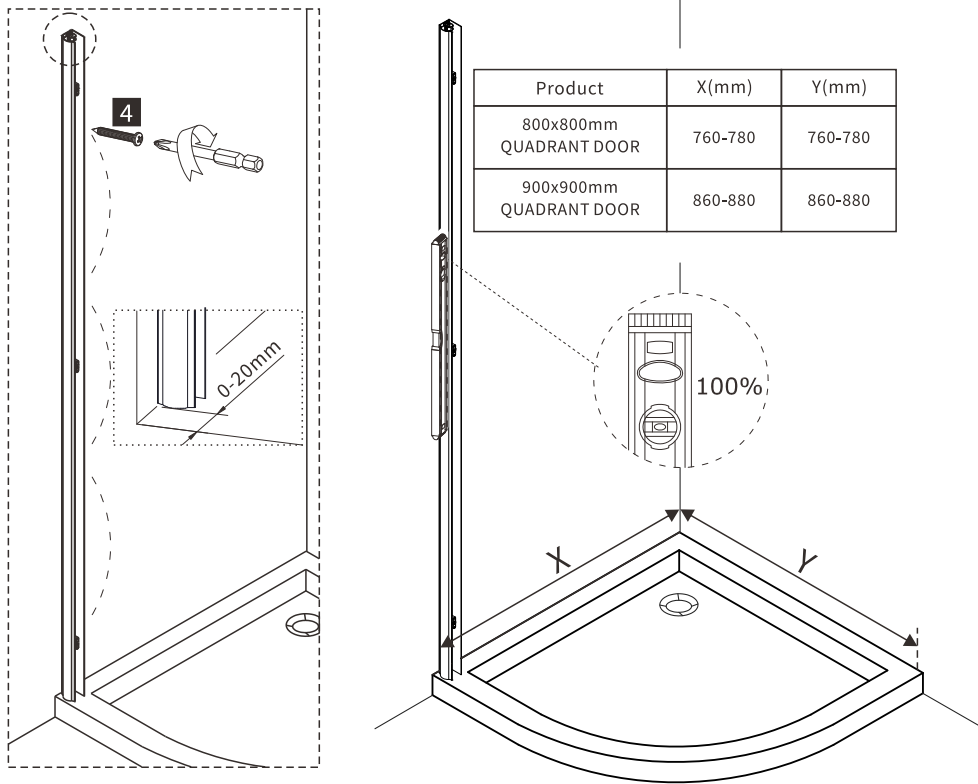
<b>1</b>		Wall profile cap L x1 R x1	<b>2</b>		Adjustment profile cap x2	<b>3</b>		Profile Cover x4
<b>4</b>		Wall Plug and 4x30mm Screw x8	<b>5</b>		Wall profile L x1 R x1	<b>6</b>		M5*30 Screw x12
<b>7</b>		Profile Cover x2	<b>8</b>		Curved Fixed Panel x1	<b>9</b>		Moving Door Seal x1
<b>10</b>		Curved Fixed Panel Seal x1	<b>11</b>		Moving Door x1	<b>12</b>		Flat Fixed Panel x1
<b>13</b>		Flat Fixed Panel Seal x1	<b>14</b>		Rail x2	<b>15</b>		Bottom Roller x2
<b>16</b>		Top Roller x2	<b>17</b>		Buffer cap x4	<b>18</b>		M5*14 Screw x2
<b>19</b>		Ball Head Allen Key 2.5mm x1 3mm x1 4mm x1	<b>20</b>		Optional profile finial x2	<b>21</b>		Optional handle x1
<b>22</b>		ST4x30mm Screw x8						

## INSTALLATION

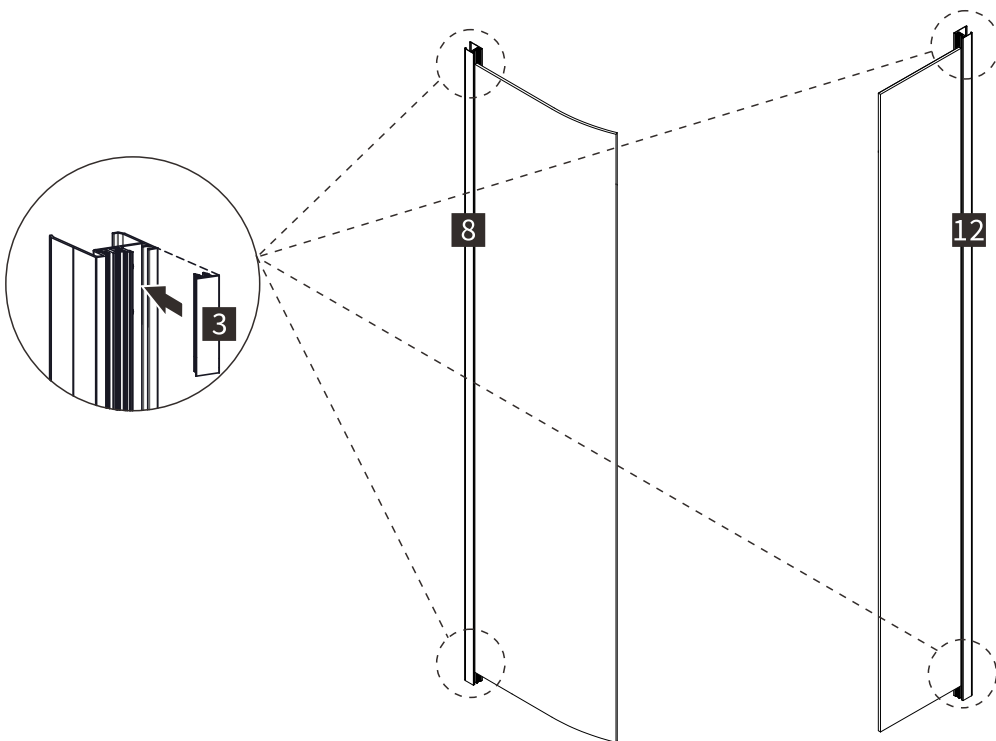


## INSTALLATION

3

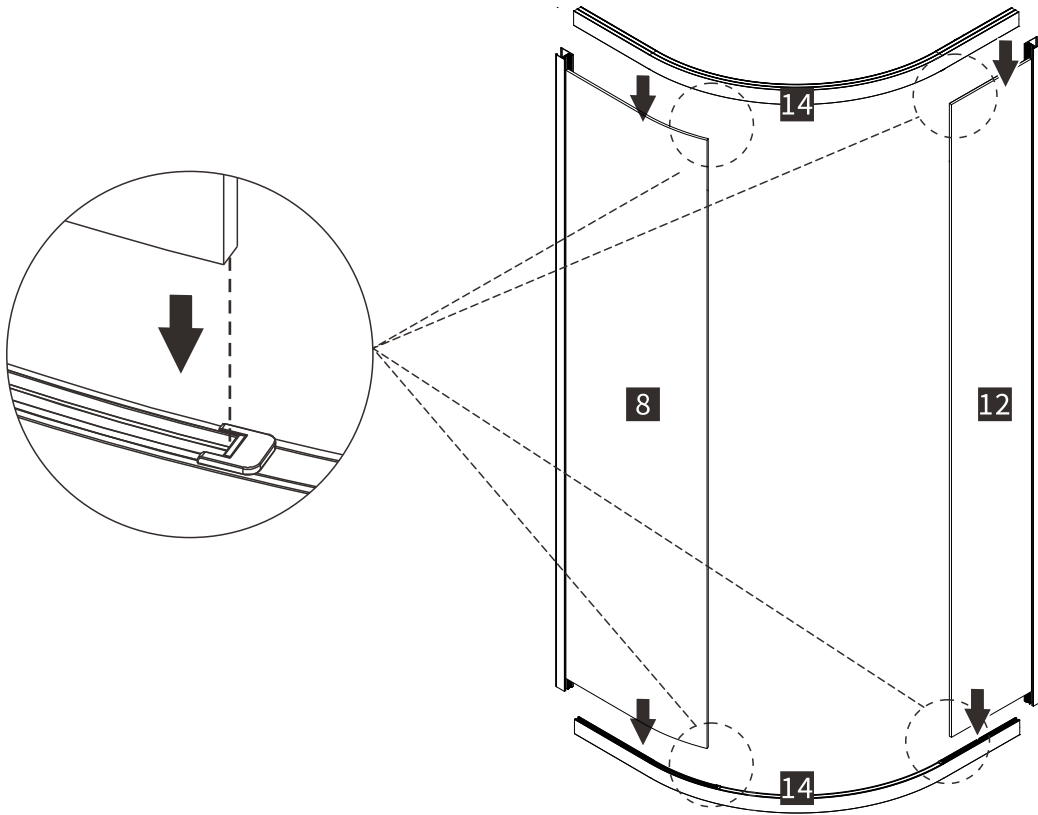


4

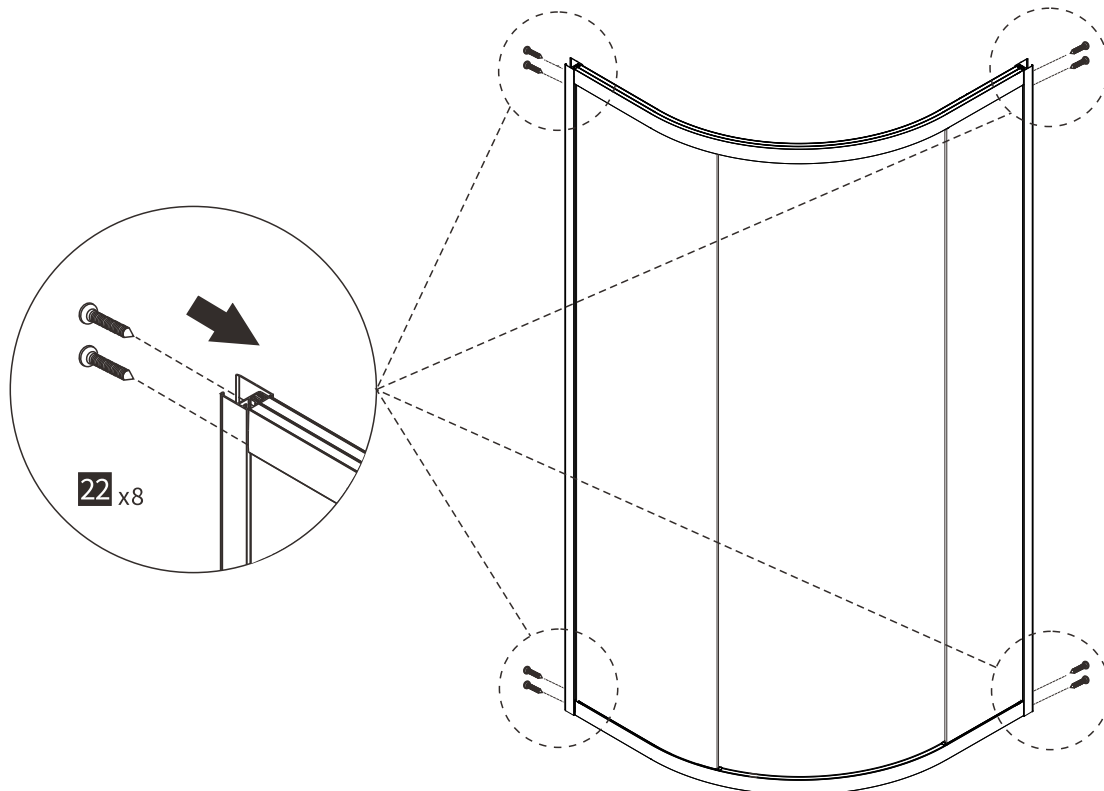


INSTALLATION

5

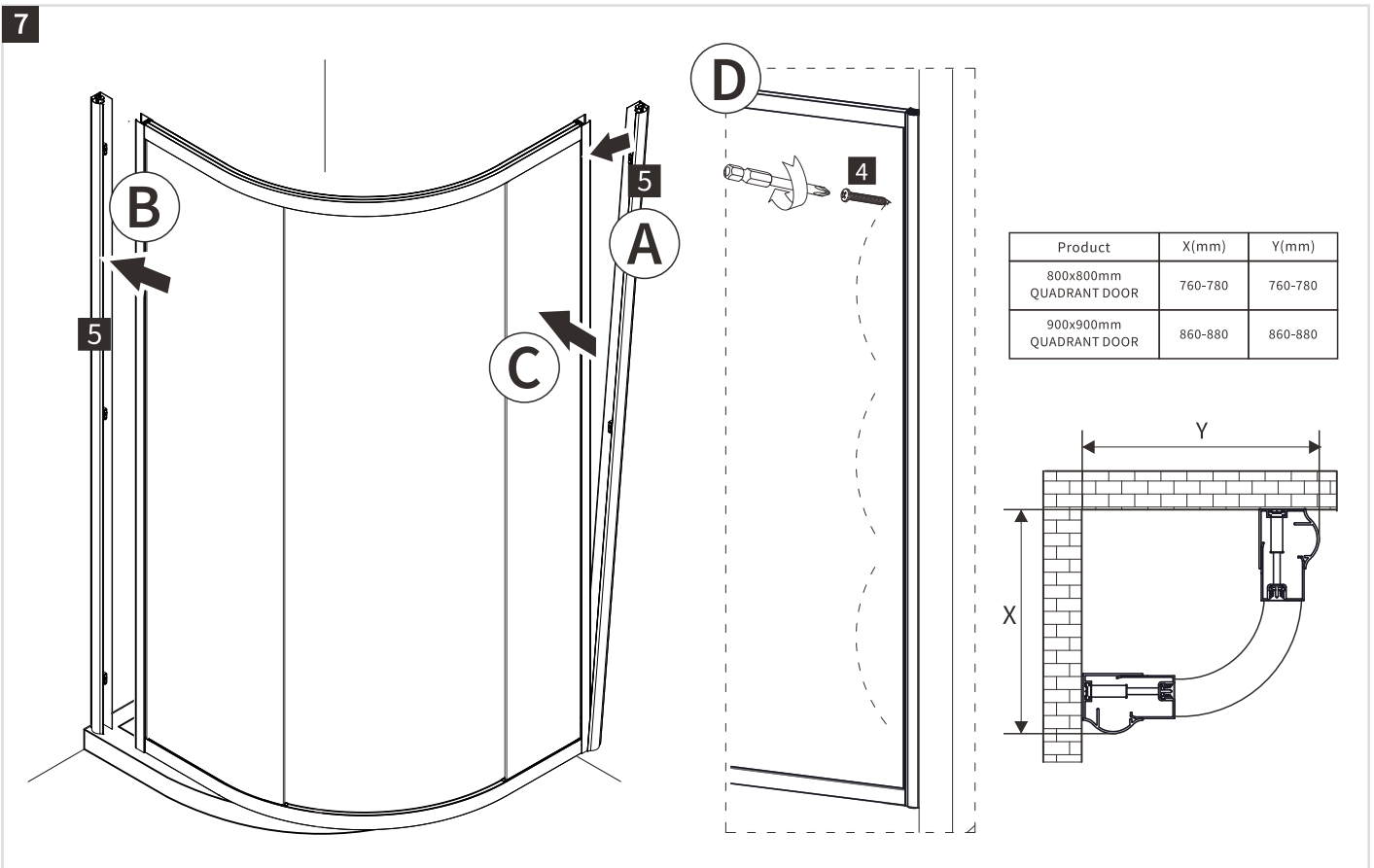


6

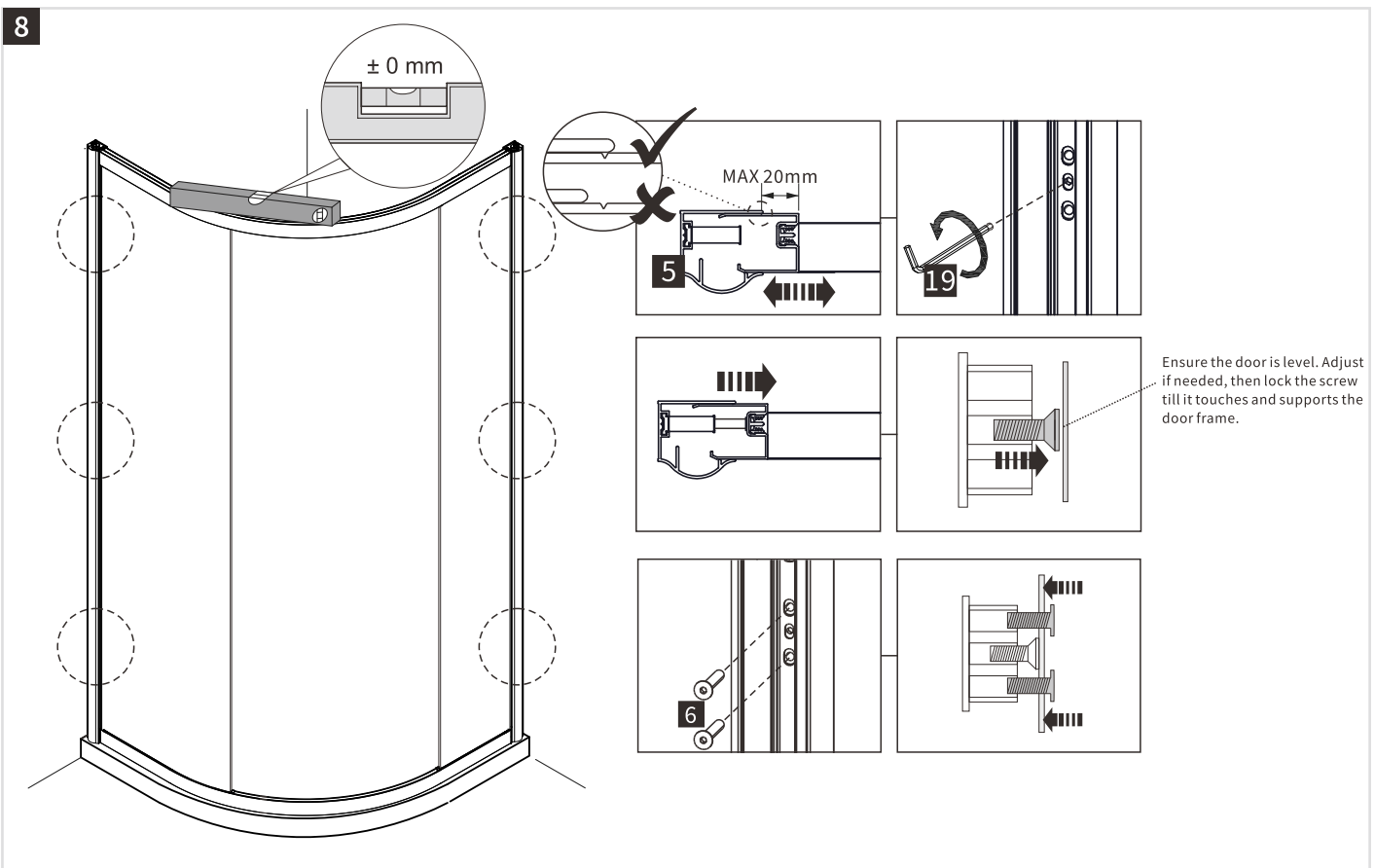


## INSTALLATION

7

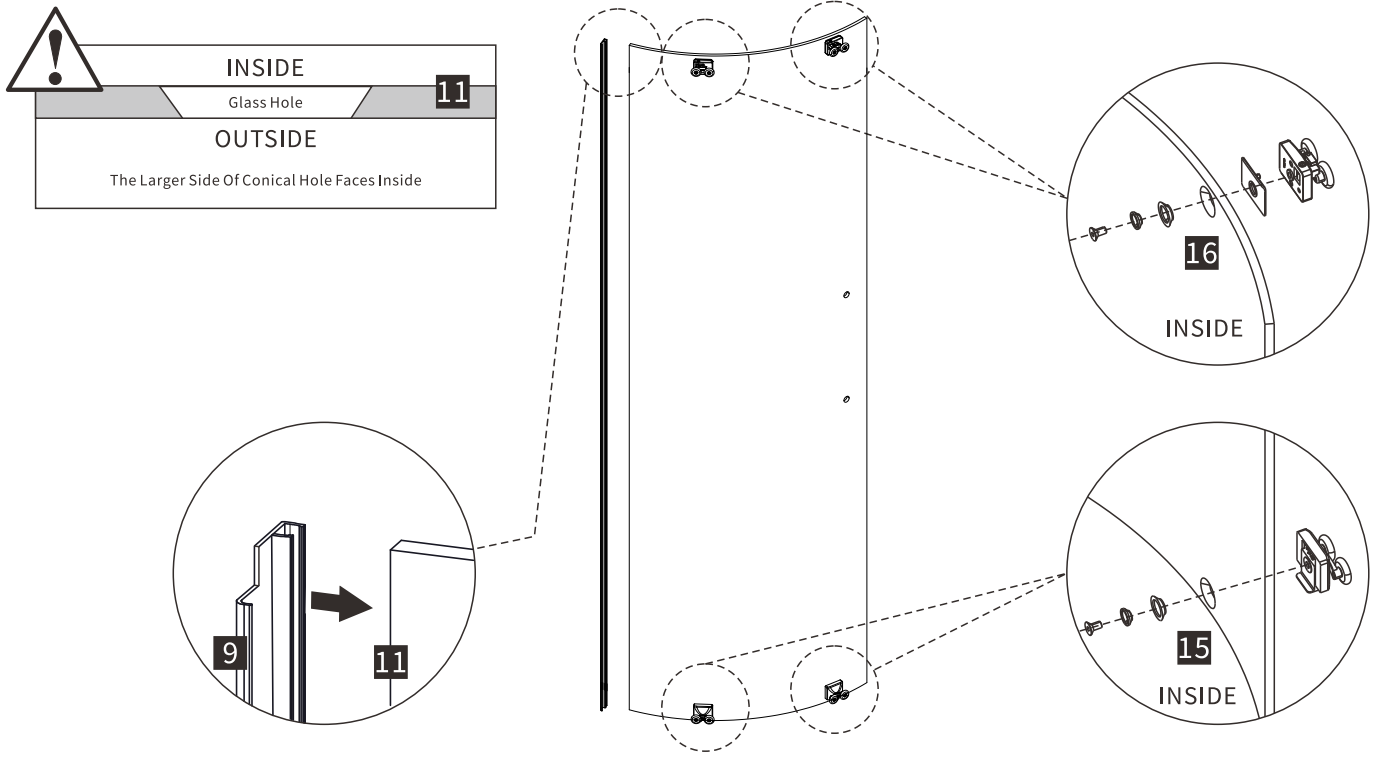


8

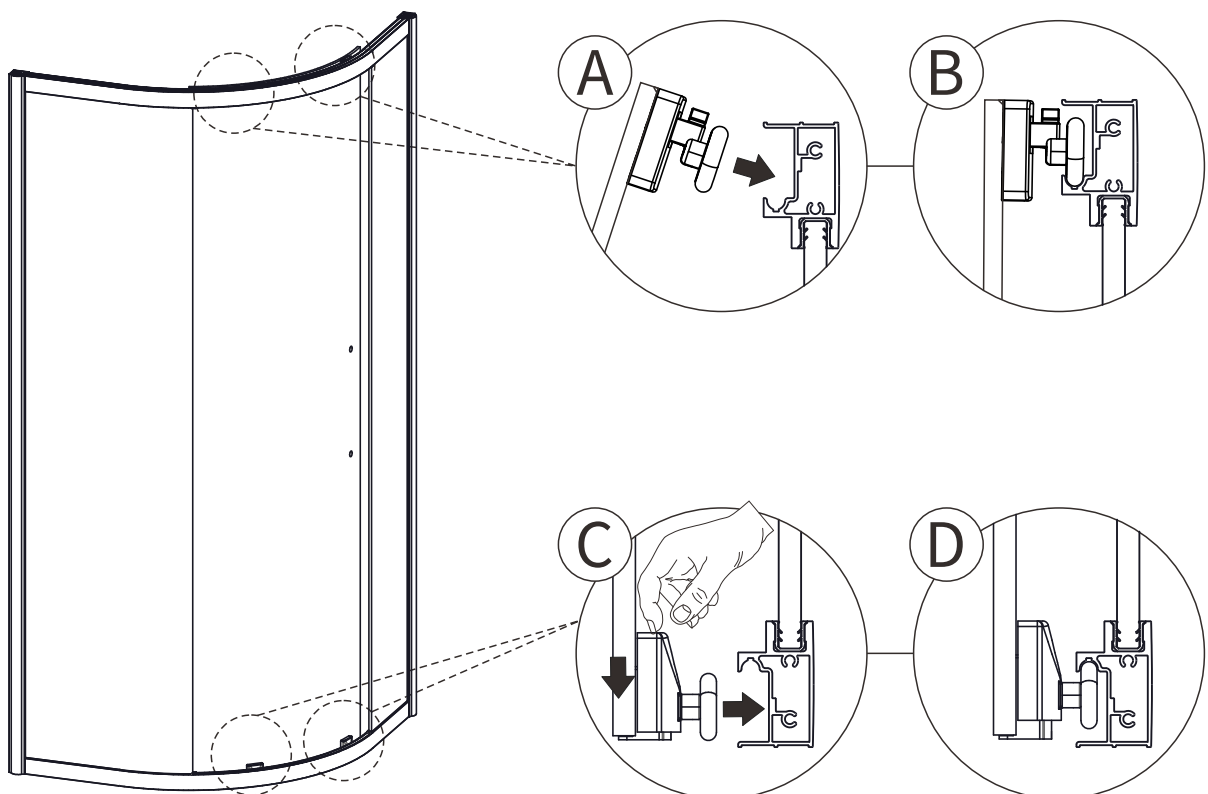


## INSTALLATION

9

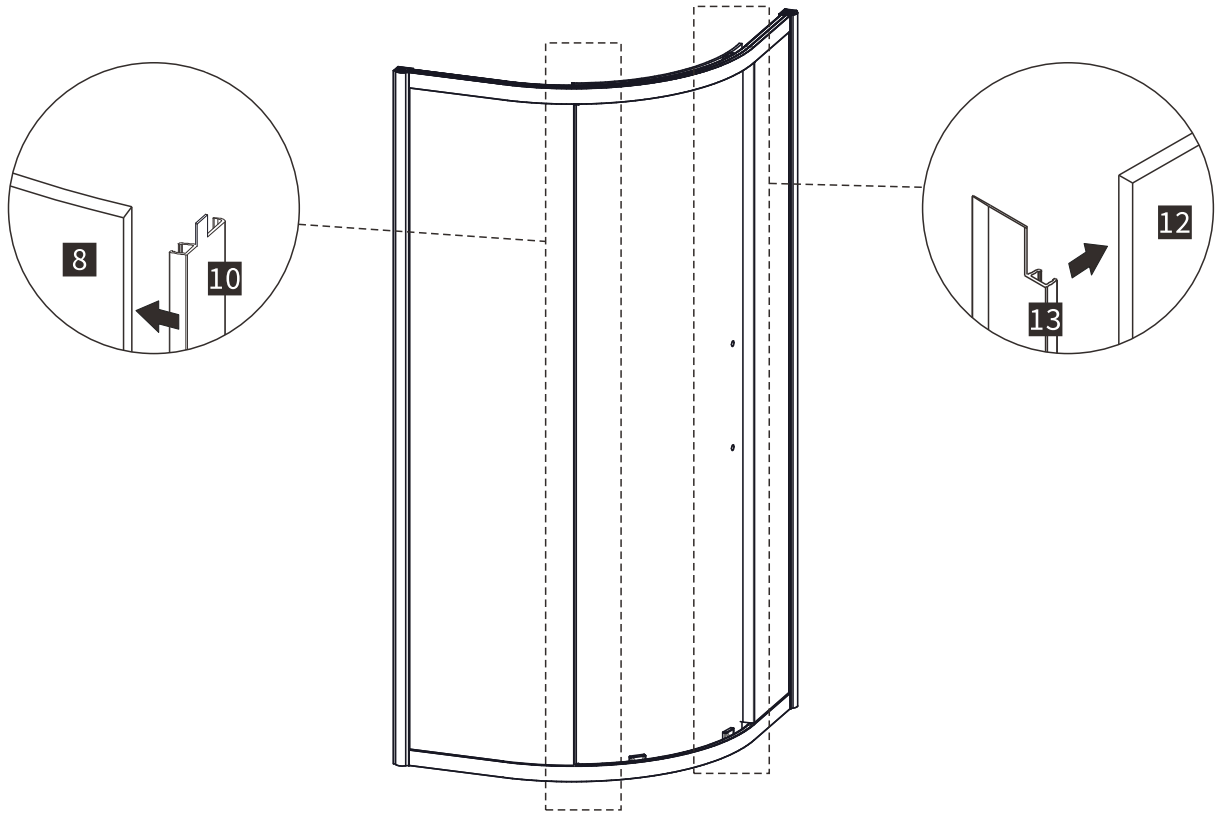


10

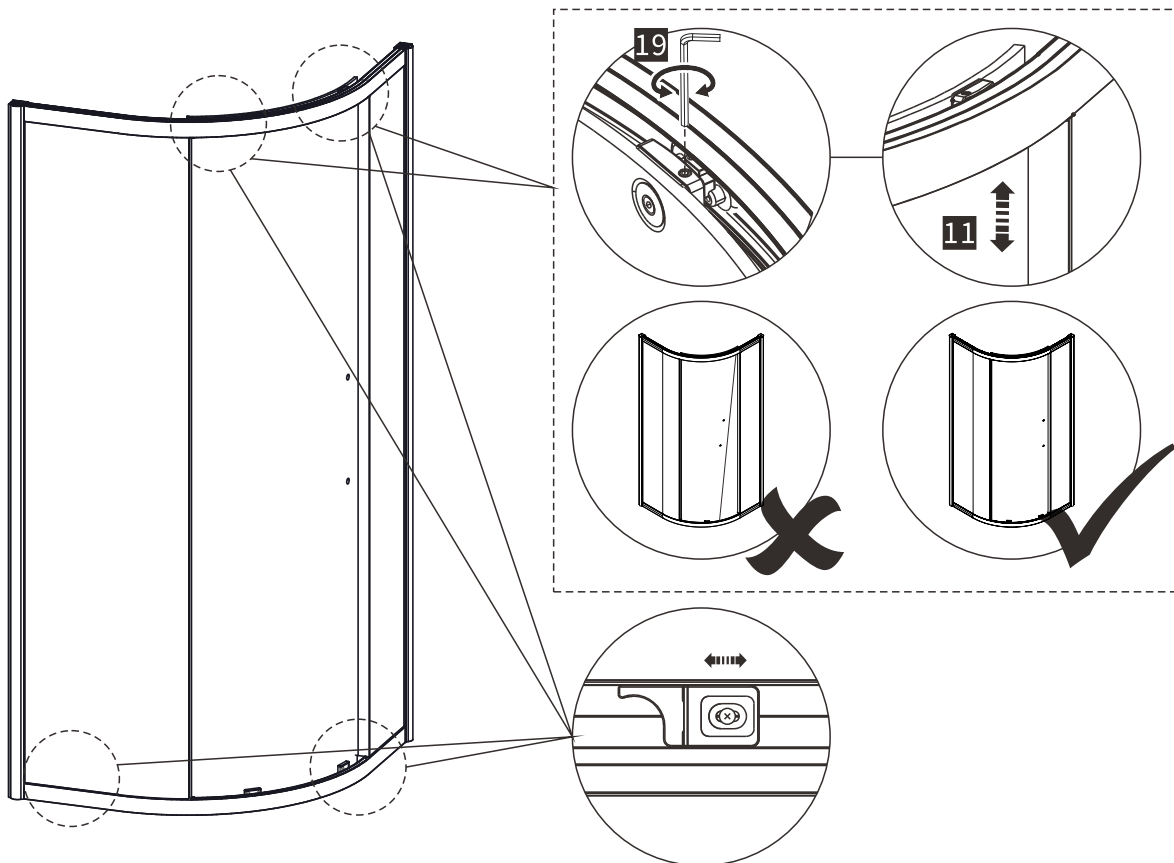


INSTALLATION

11

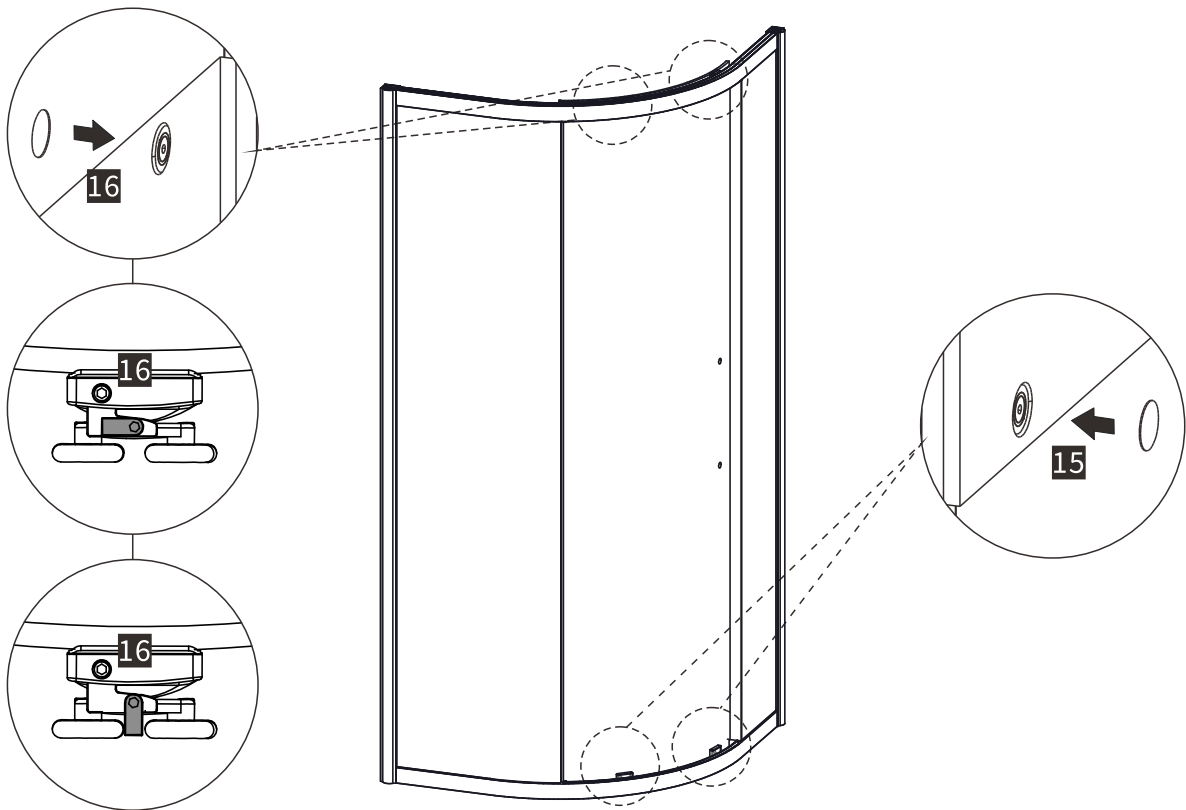


12



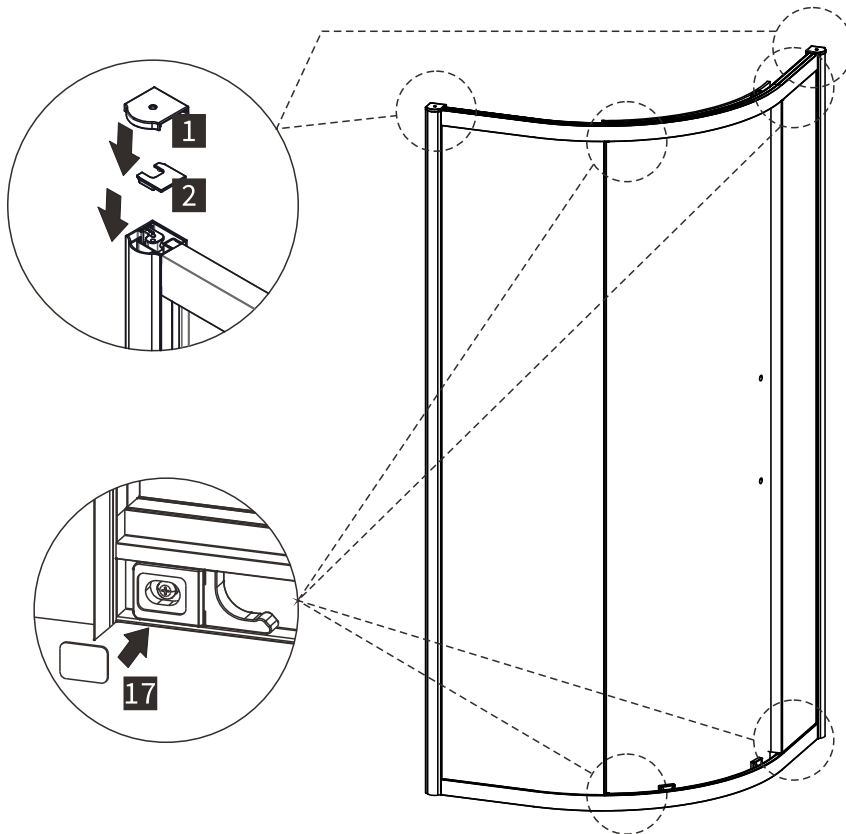
INSTALLATION

13



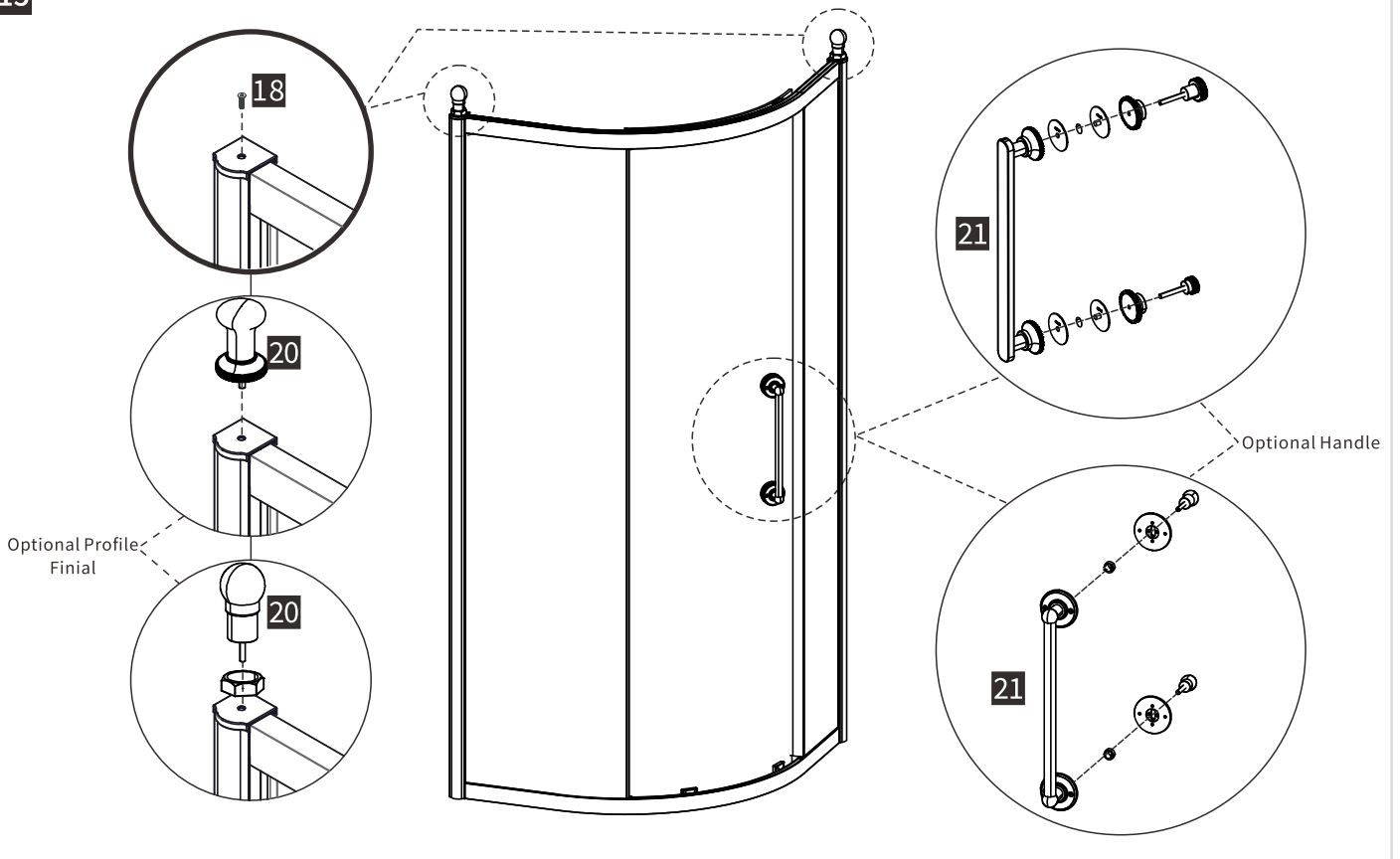
Align the anti detachment part of roller

14

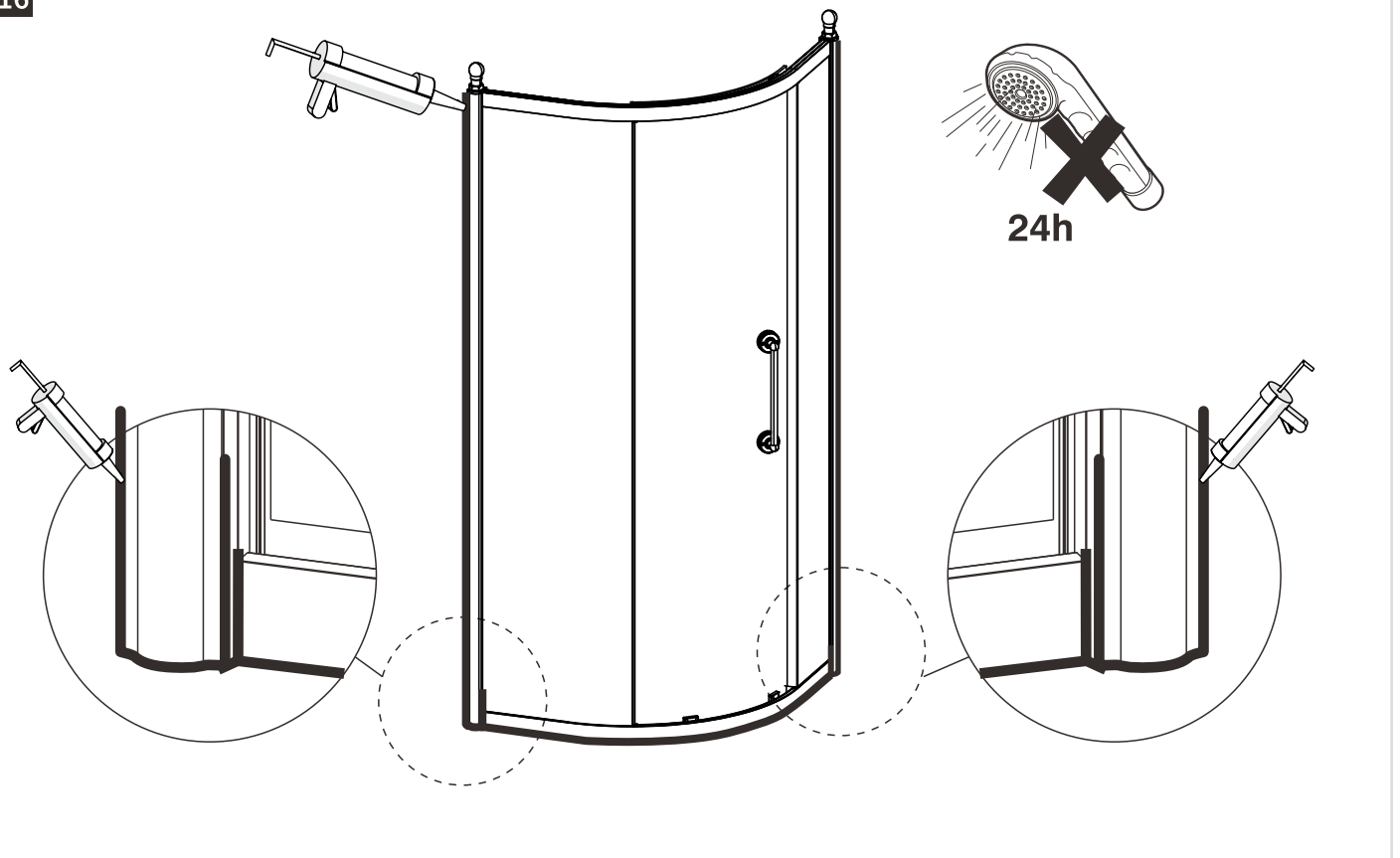


## INSTALLATION

15



16



*Burlington*<sup>®</sup>

CARE & MAINTENANCE

Do not use solvents or abrasive materials or chemicals to clean shower doors.

PH < 6.8, PH > 7.2

Only use soapy water and soft cloth, rinse thoroughly afterwards.

PH = 6.8 - 7.2



*Burlington*<sup>®</sup>

Part of the  
Bathroom Brands Group

We reserve the right to make technical modifications without prior notice.

*Burlington*<sup>®</sup>

Lake View House  
Rennie Drive, Dartford  
Kent DA1 5FU  
United Kingdom  
0345 873 8840  
[www.crosswater.co.uk](http://www.crosswater.co.uk)