

CLASSIQUE

SLIDING DOOR & SIDE PANEL



PRODUCT CODES:

CQSLSC1200
CQSLSC1400
CQSLSC1700
CQSLGC1200
CQSLGC1400
CQSLGC1700
CQSLLC1200
CQSLLC1400
CQSLLC1700

CQSPSC0800
CQSPSC0900
CQSPGC0800
CQSPGC0900
CQSPLC0800
CQSPLC0900

CQ1909HDFNC
CQ1909HDFNG
CQ1909HDFNL
CQ1909PRFNC
CQ1909PRFNG
CQ1909PRFNL
CQ1850HDFNC
CQ1850HDFNG
CQ1850HDFNL
CQ1850PRFNC
CQ1850PRFNG
CQ1850PRFNL



IMPORTANT INFORMATION

Please read carefully and keep this information for further reference.

BEFORE STARTING THE INSTALLATION ENSURE ALL THE DOOR SIZE MEASUREMENTS CORRESPOND WITH THE INSTALLATION AREA INCLUDING THE FINISHED TILED/PANELLED WALLS. RETURNS DUE TO INCORRECT SIZING WILL NOT BE ACCEPTED.

Check the contents of the pack carefully before installation. Burlington will not be held responsible for any de-fit / re-fit costs where faulty product has been fitted. If any fault is found with materials or workmanship, it must be reported immediately to the manufacturer. Remedial action will be taken, based on information received, on condition that:

1.Full details are supplied to the manufacturer;

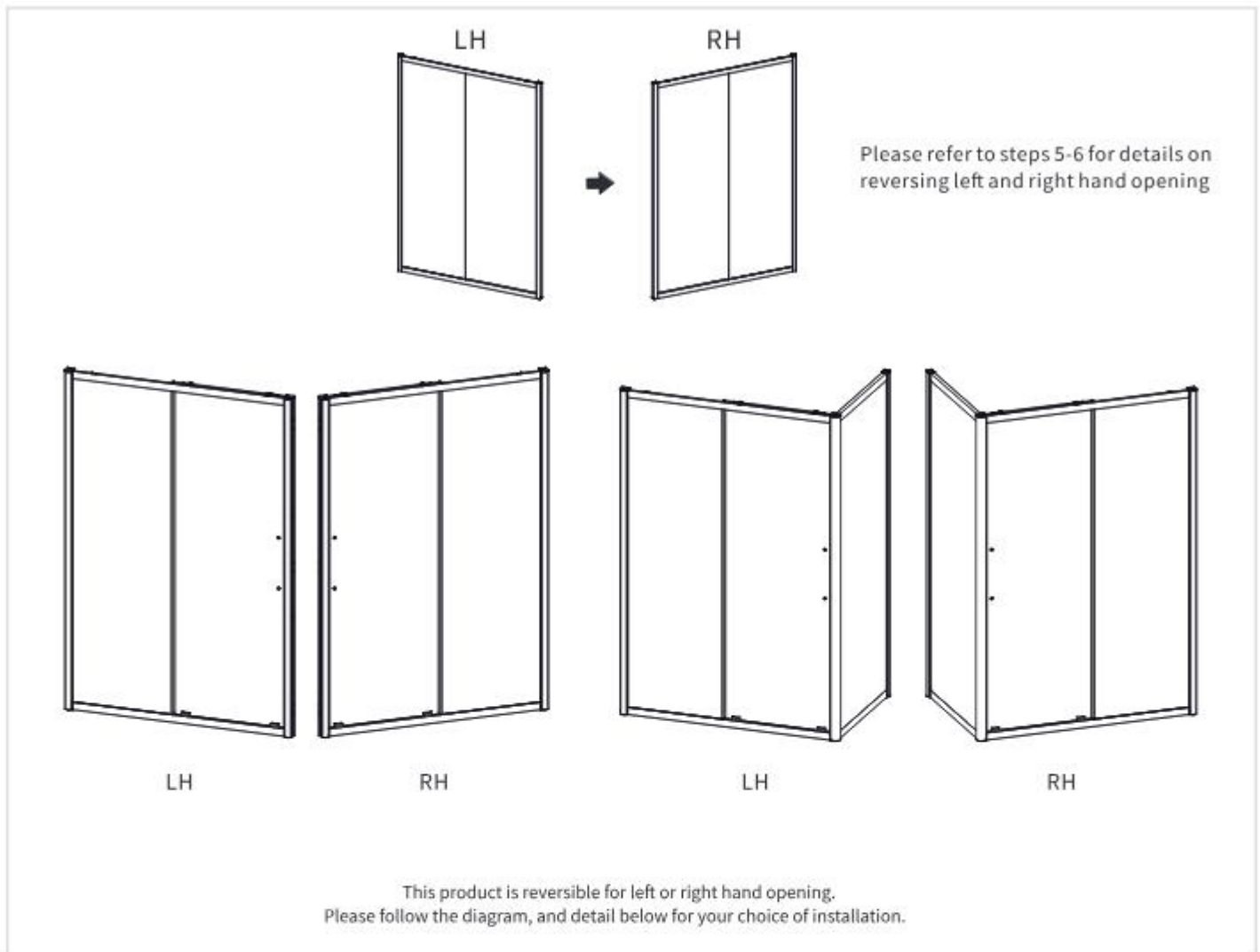
2.The enclosure has not been modified or tampered with;

3.The manufacturer is informed of any damage/shortages prior to installation.

VERY IMPORTANT

You must complete all tiling and grouting, and the shower tray **MUST** be level and fully sealed to the tiles before installation. If you do not fit the enclosure onto a tiled surface, or seal the tiles to the tray before installation, water may soak into the wall behind the wall profiles.

ORIENTATION



IMPORTANT INFORMATION

Please read carefully and keep this information for further reference.

The installation instructions are based on typical use and conditions. All doors are designed to open to the left or right. These hints have been prepared for your guidance, you must exercise due care at all times. For Health and Safety 2 people must carry out the installation of this shower enclosure. Handle glass with care. Although the glass supplied is toughened safety glass (EN12150), impacts can damage both the glass and the frame.

BEFORE YOU START

Warning!










Please check for any hidden pipes or cables before drilling holes in the wall.

When using power tools always follow the manufacturers user instructions.

If the Framework is sealed to the tray on the inside, any water that may get into the framework will not be able to drain back into the tray, this may cause the enclosure to leak.

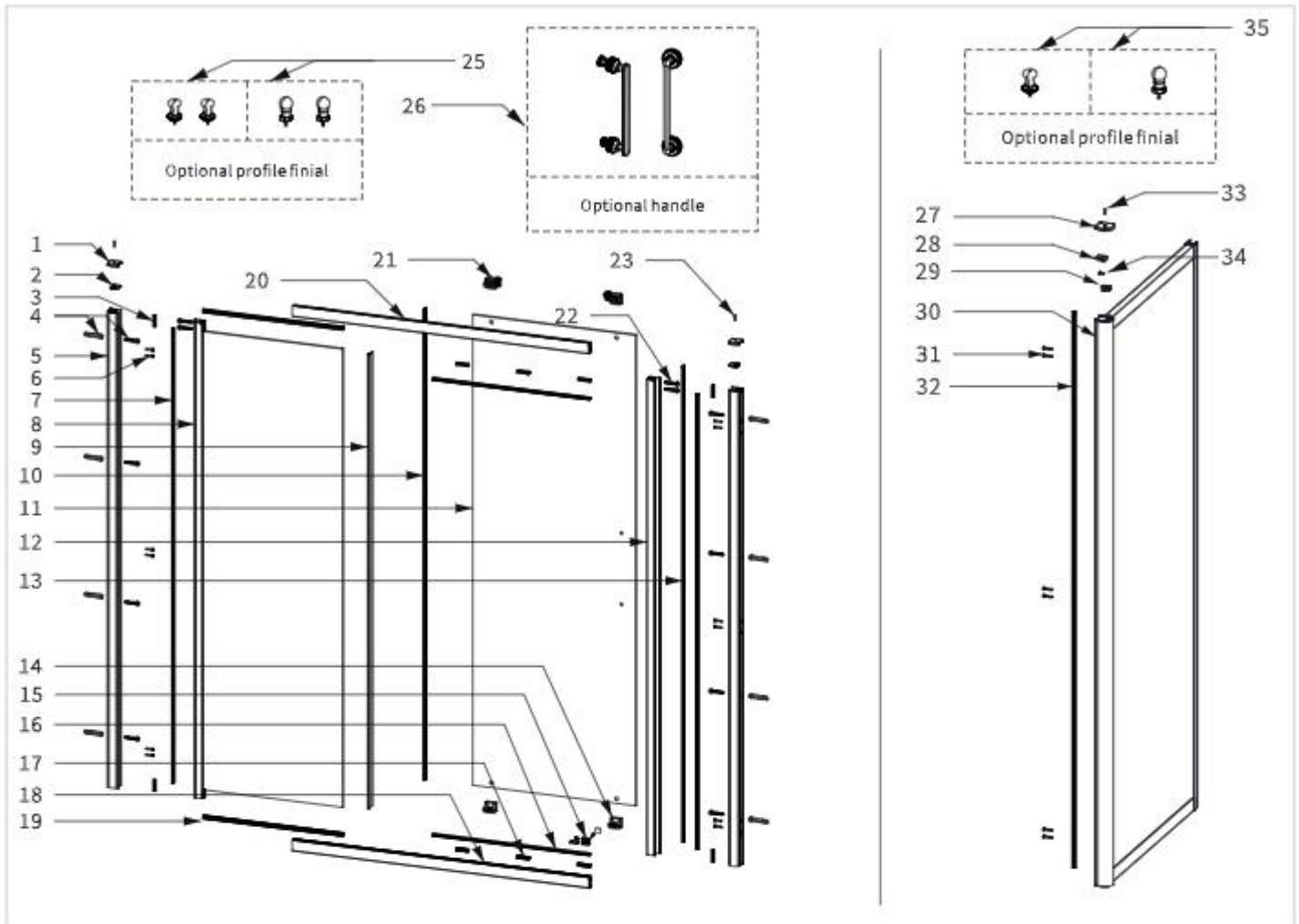
Leave the silicone sealant to dry for 24 hours before using the enclosure.

Tools Required (not supplied):

Spirit Level		Torque Screw Driver	
Pencil		Snips	
Drill		6mm Drill Bit	
Silicone		Measuring Tape	
Knife			

COMPONENTS

Burlington®



1		Wall profile cap L x1 R x1	2		Adjustment profile cap x2	3		45mm Profile Cover x4	27		Wall profile cap L x1 R x1
4		Wall Plug and 4x30mm Screw x8	5		Wall profile L x1 R x1	6		M5*30 Screw x12	28		Adjustment profile cap x1
7		1910mm Profile Cover x2	8		Fixed Panel x1	9		Fixed Panel Seal x1	29		Fixing part of profile cap x1
10		Moving Panel Seal A x1	11		Moving Panel x1	12		Adjustment Profile x1	30		Side panel x1
13		Moving Panel Seal B x1	14		Bottom Roller x2	15		Buffer ST4x12mm Screw x1	31		M5*30 Screw x6
16		575-675mm Profile Cover x2	17		Moving Door bottom Seal x6	18		Bottom Rail x1	32		Profile Cover x1
19		Fixed Panel bottom Seal x2	20		Top Rail x1	21		Top Roller L x1 R x1	33		M5*14 Screw x1
22		ST4*30 Screw x8	23		M5*14 Screw x2	24		Ball Head Allen Key 2.5mm x1 3mm x1 4mm x1	34		ST4*16 Screw x1
25		Optional profile finial x2	26		Optional handle x1	35		Optional profile finial x1			

INSTALLATION

Burlington®

1

INSIDE

OUTSIDE

TOP

Product	X(mm)
1200mm Sliding Door	1150-1190
1400mm Sliding Door	1350-1390
1700mm Sliding Door	1650-1690

2

Ø 6x4

x4

x4

4

Ø 6x4

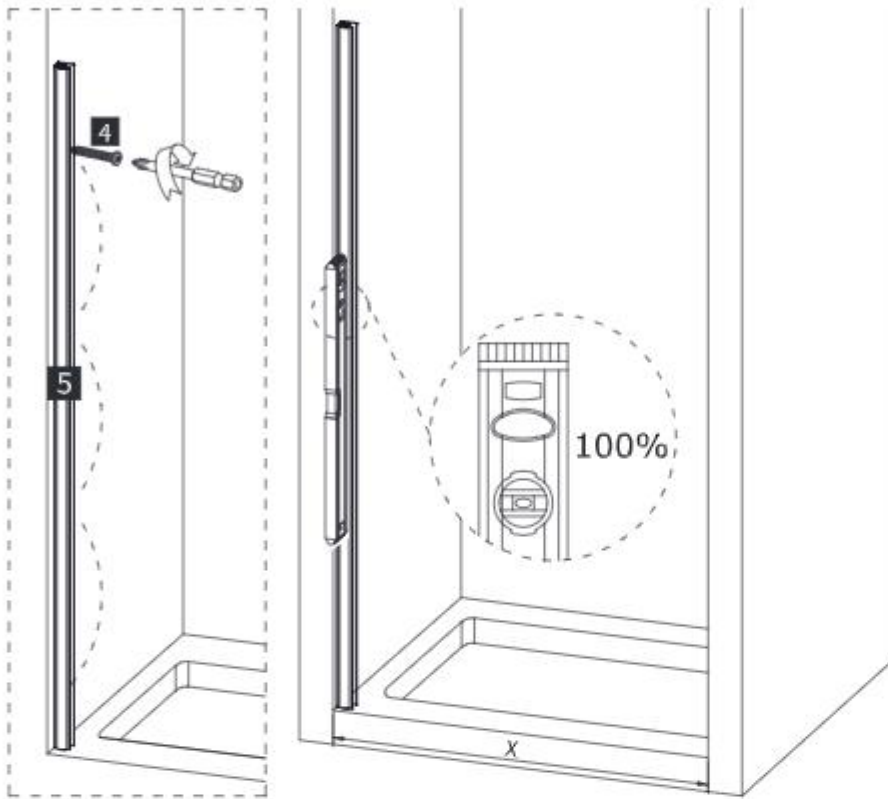
x4

x4

4

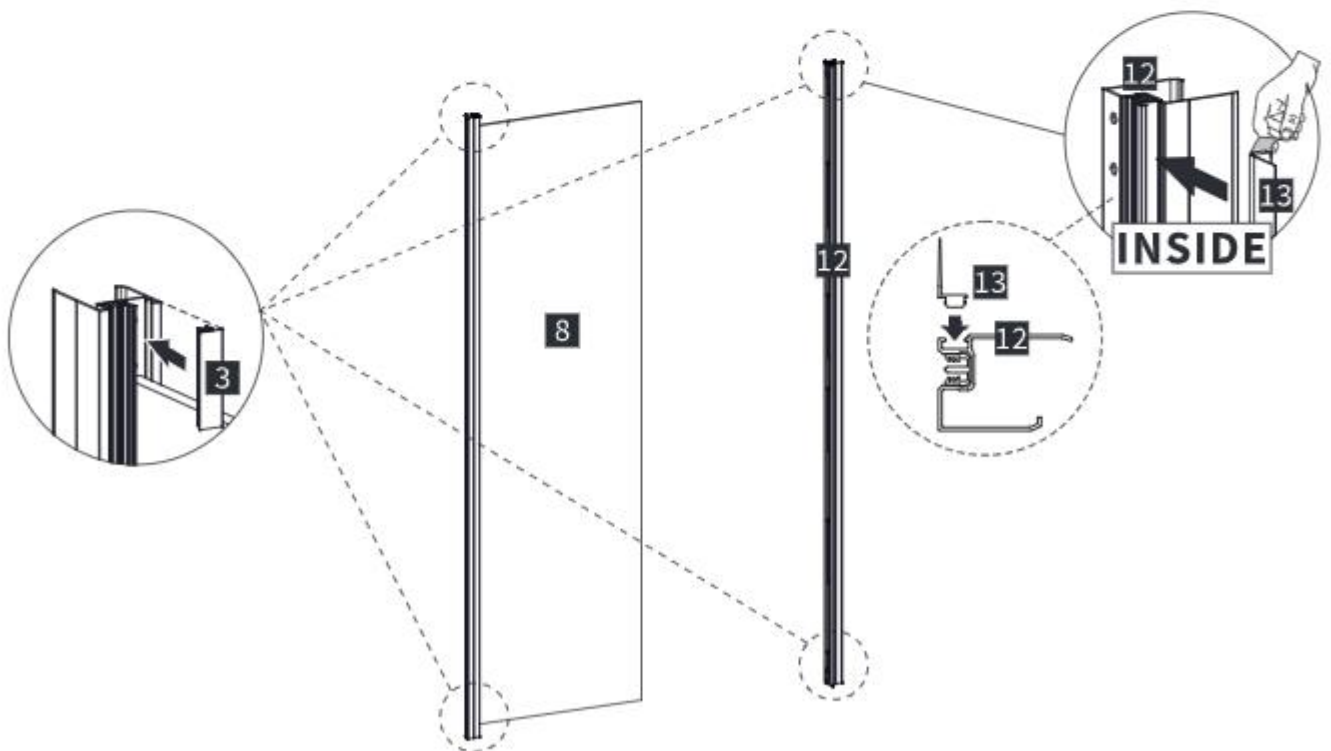
INSTALLATION

3



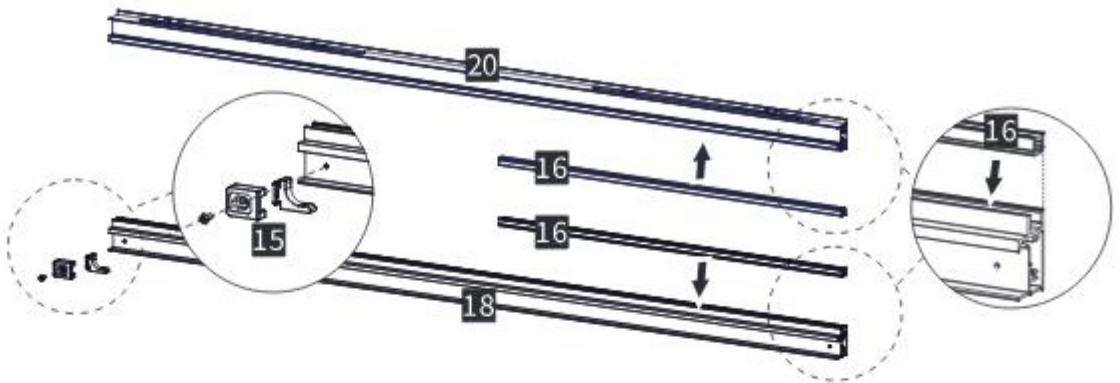
Product	X(mm)
1200mm Sliding Door	1150-1190
1400mm Sliding Door	1350-1390
1700mm Sliding Door	1650-1690

4

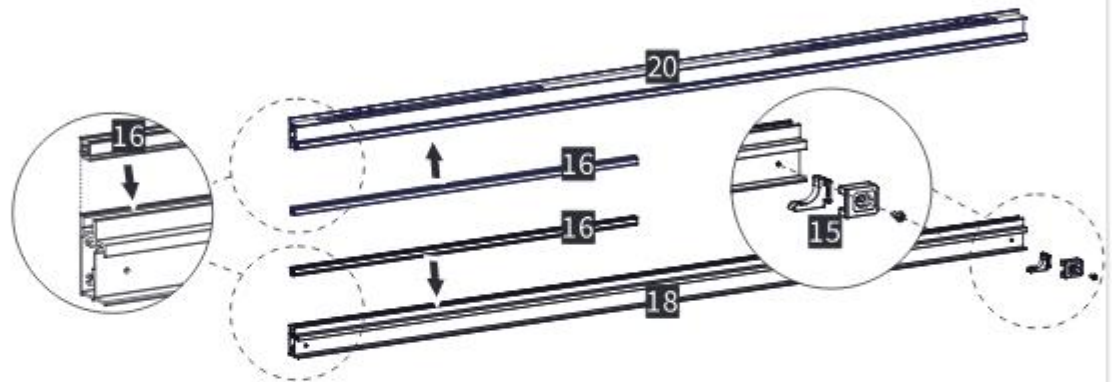


5

LH
INSIDE



RH
INSIDE



6

LH
INSIDE



RH
INSIDE



INSTALLATION

7

Product	X(mm)
1200mm Sliding Door	1150-1190
1400mm Sliding Door	1350-1390
1700mm Sliding Door	1650-1690

8

± 0 mm

MAX 20mm

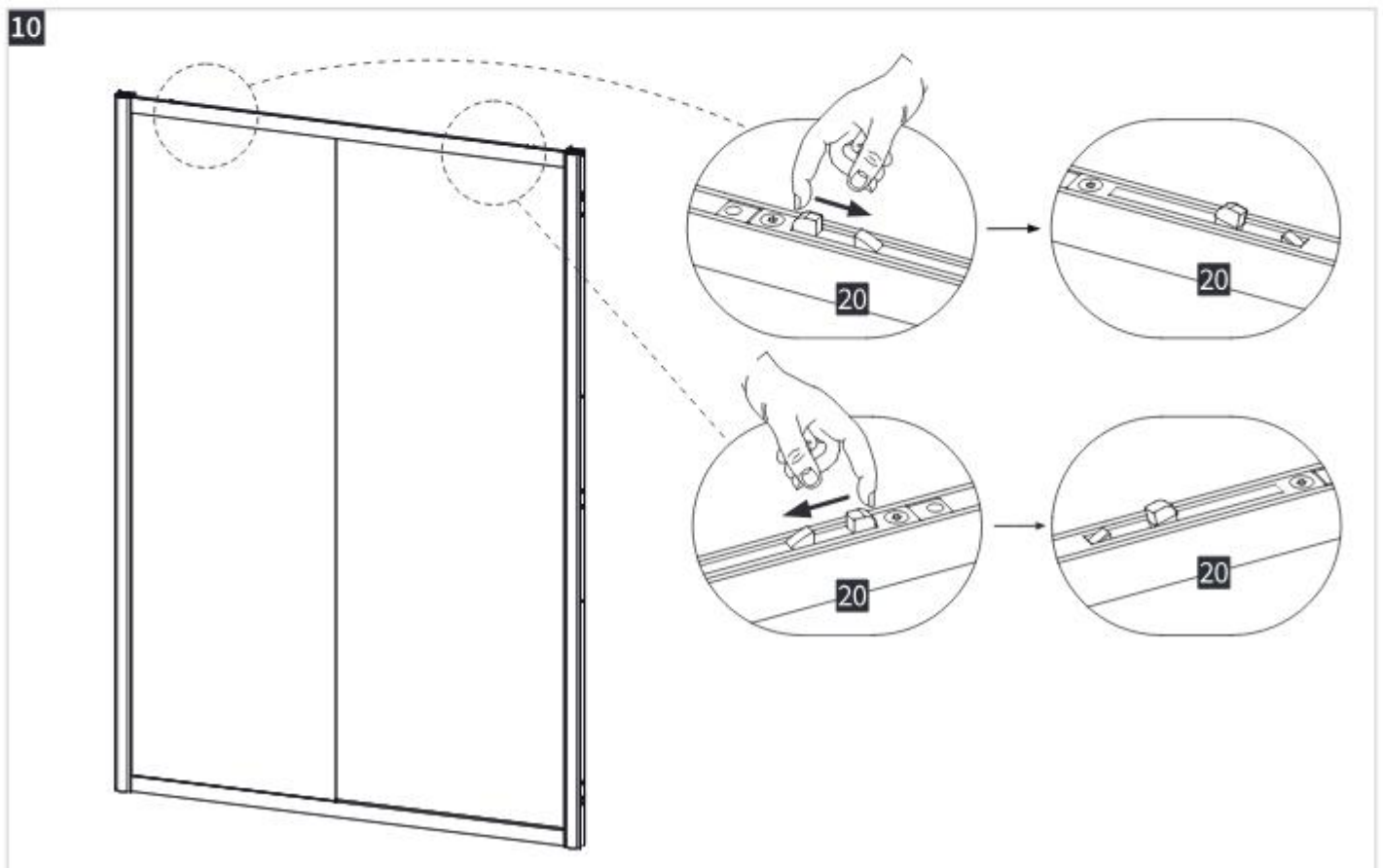
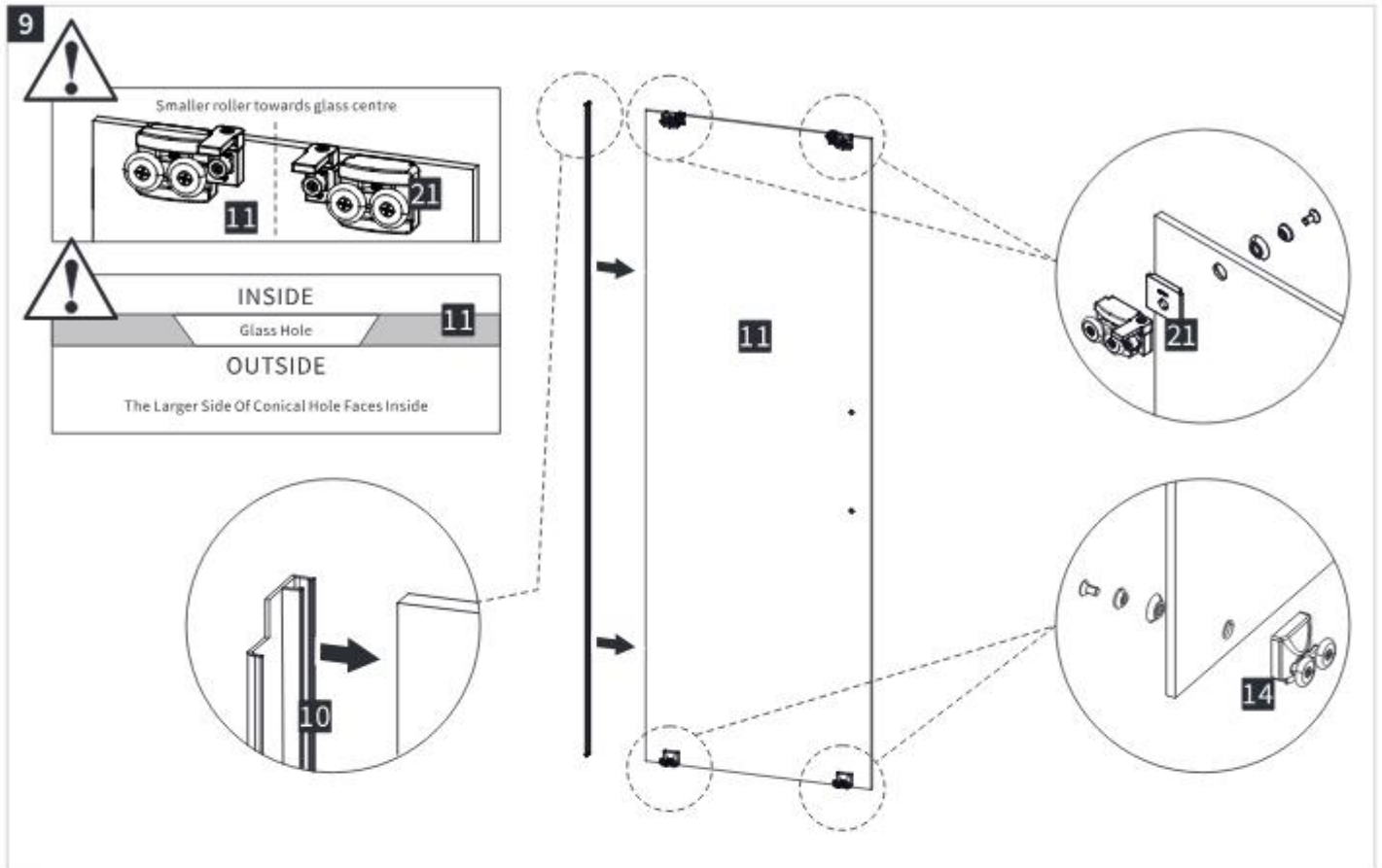
5

6

24

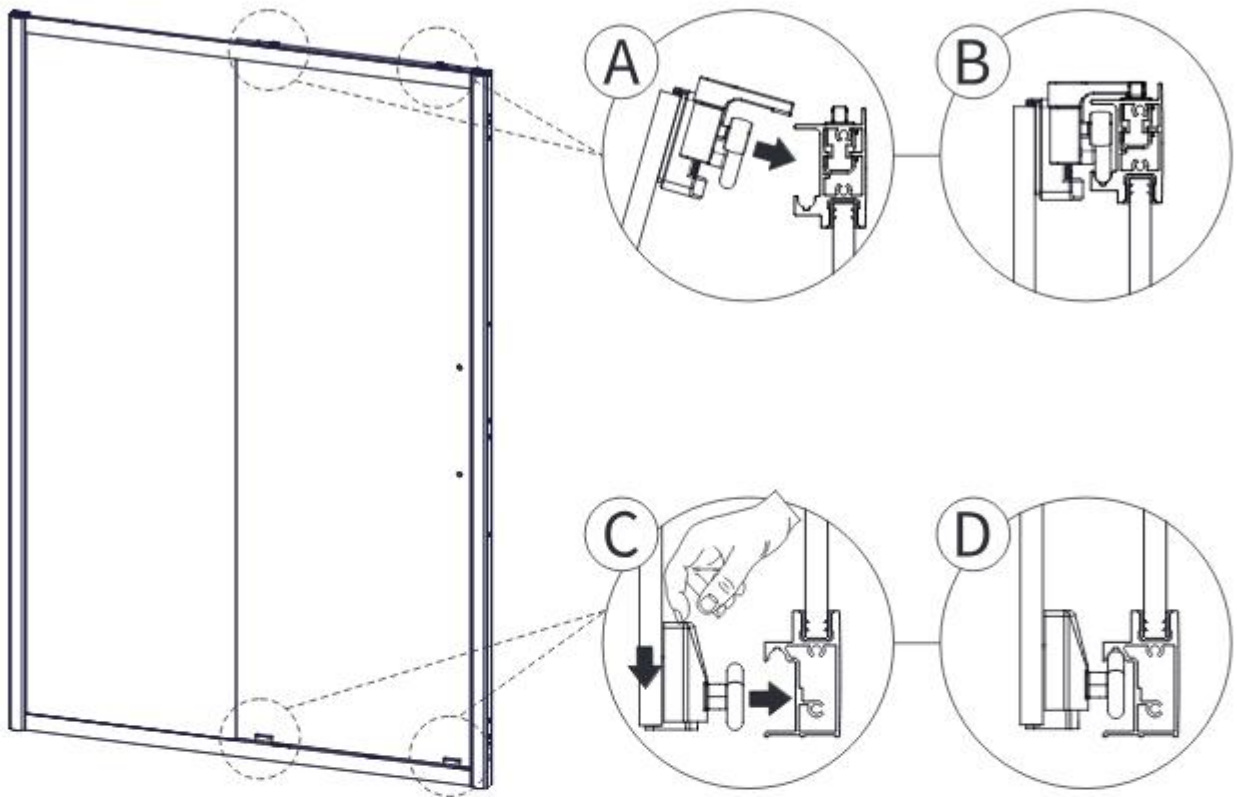
Ensure the door is level. Adjust if needed, then lock the screw till it touches and supports the door frame.

INSTALLATION

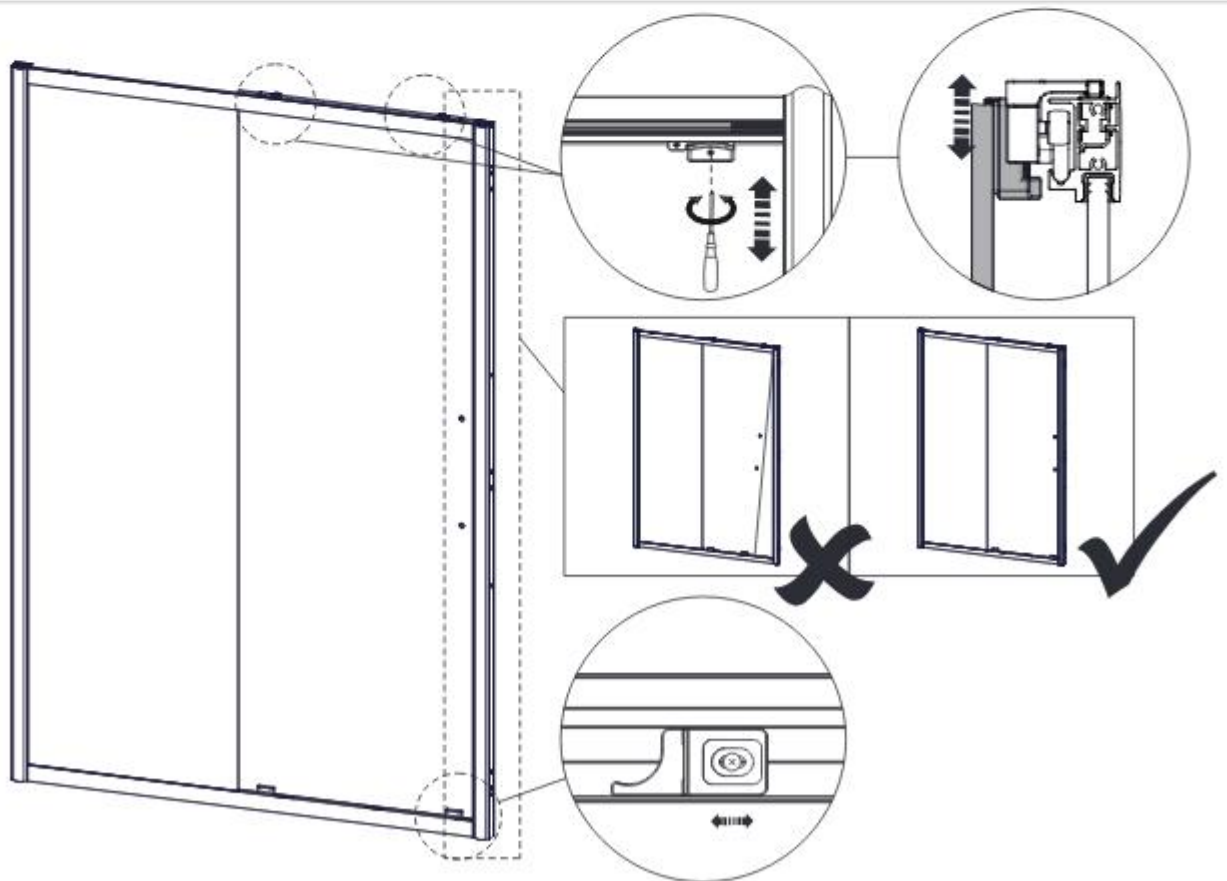


INSTALLATION

11

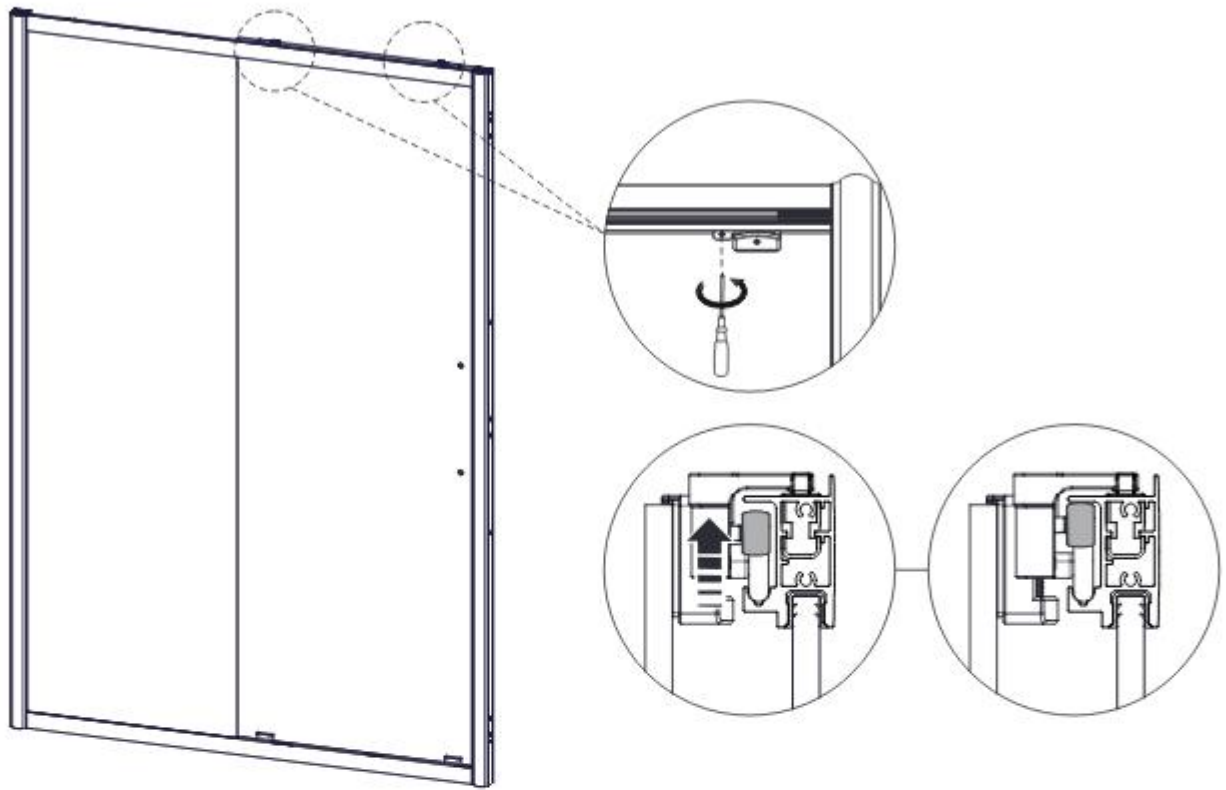


12

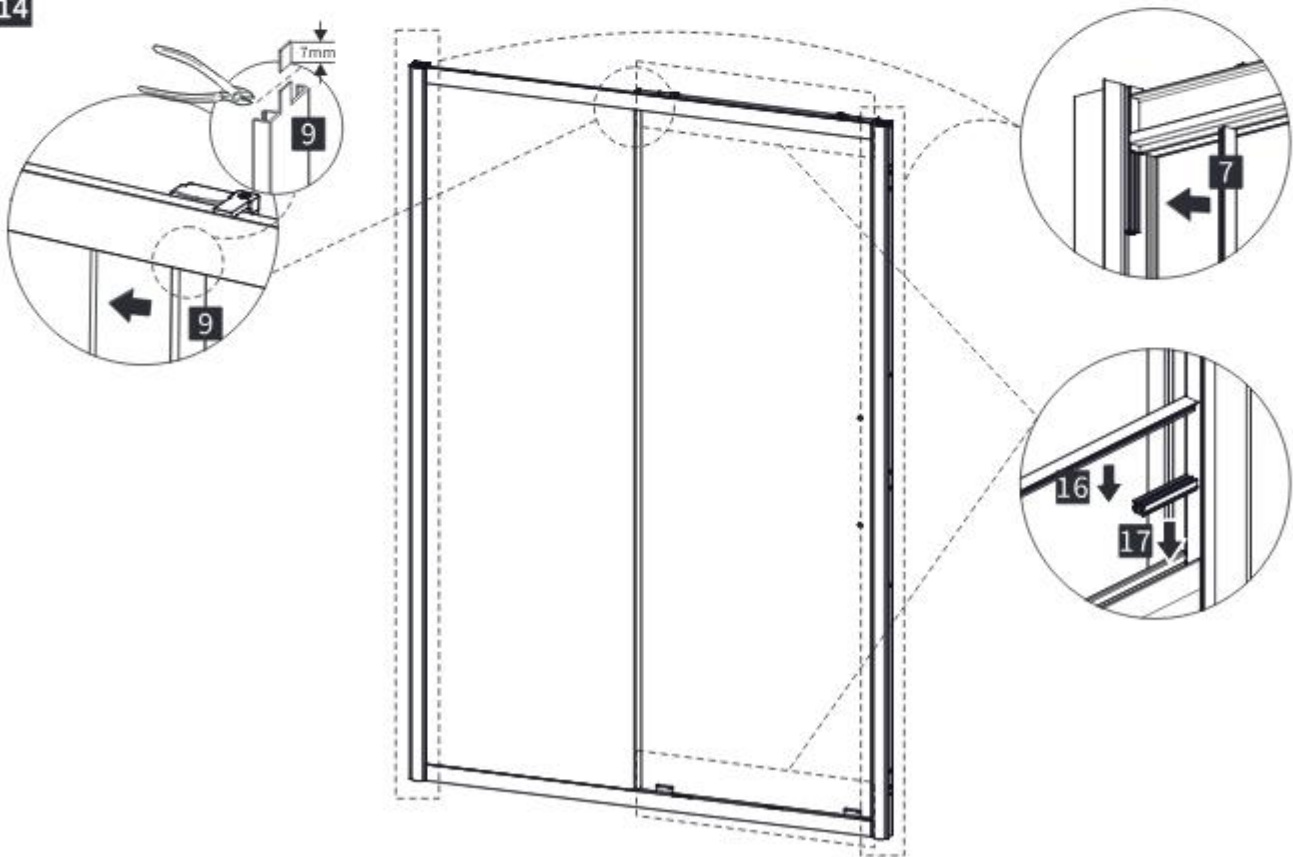


INSTALLATION

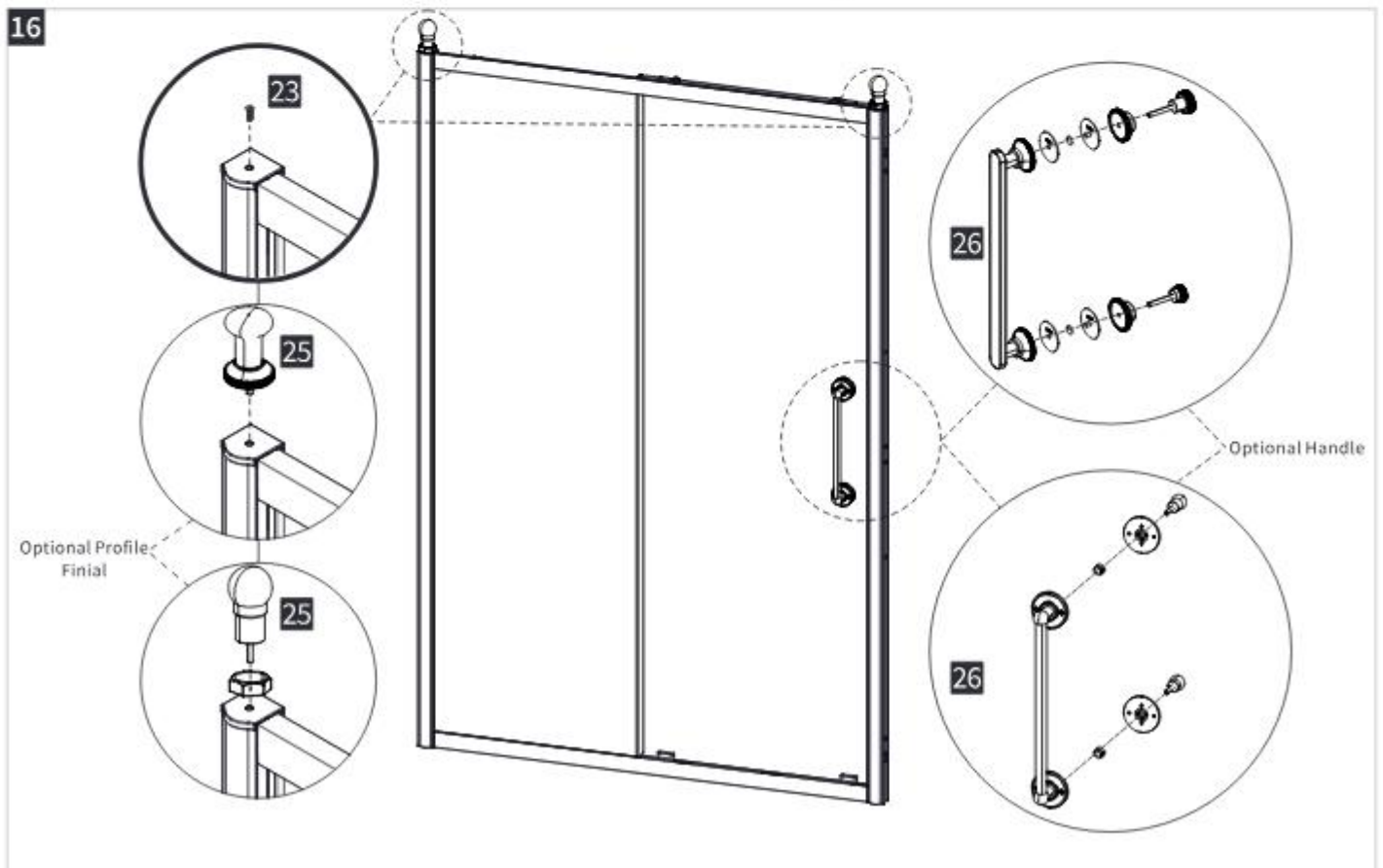
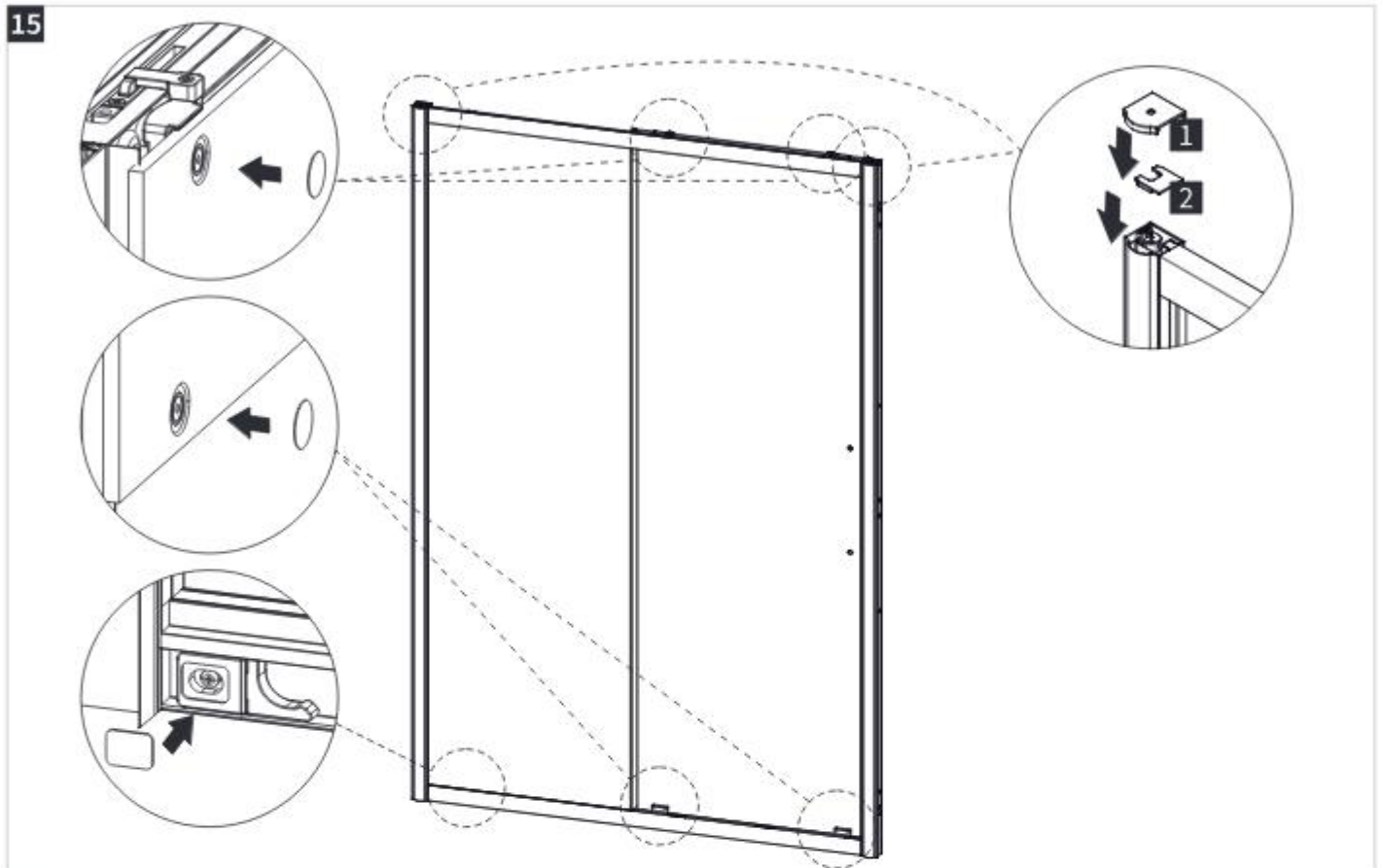
13



14



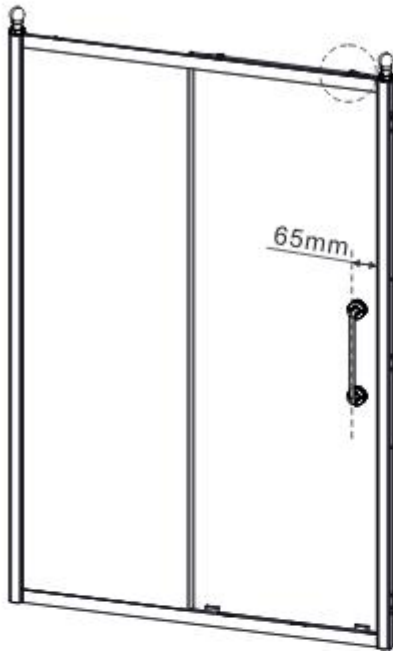
INSTALLATION



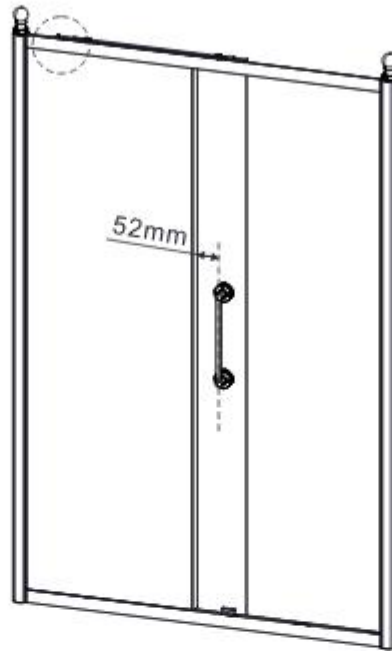
INSTALLATION

17

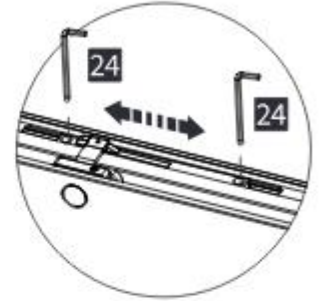
Adjust the buffer position to ensure the distance from handle to the edge



Measure distance between centre of handle mounting hole and profile edge is 65mm



Measure distance between centre of handle mounting hole and fixed panel edge is 52mm

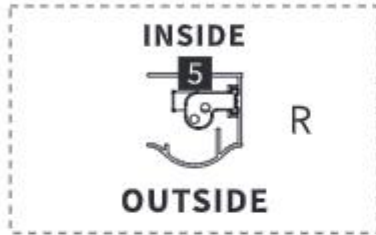
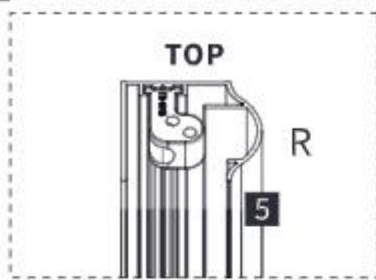


18



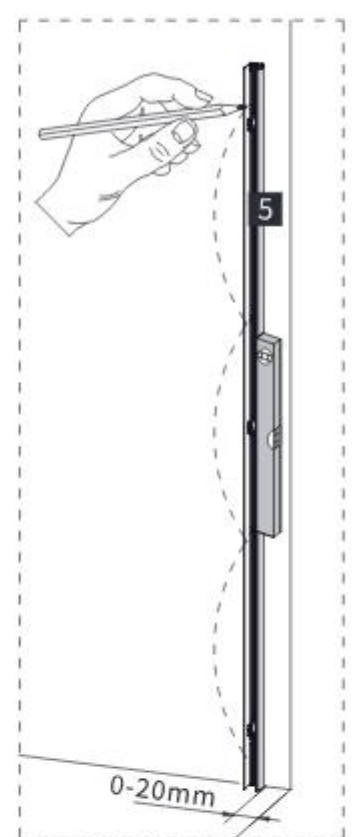
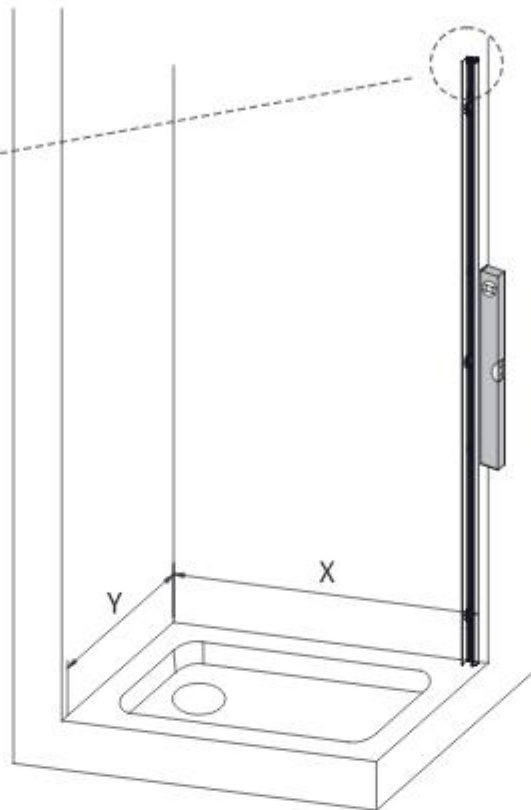
INSTALLATION

18

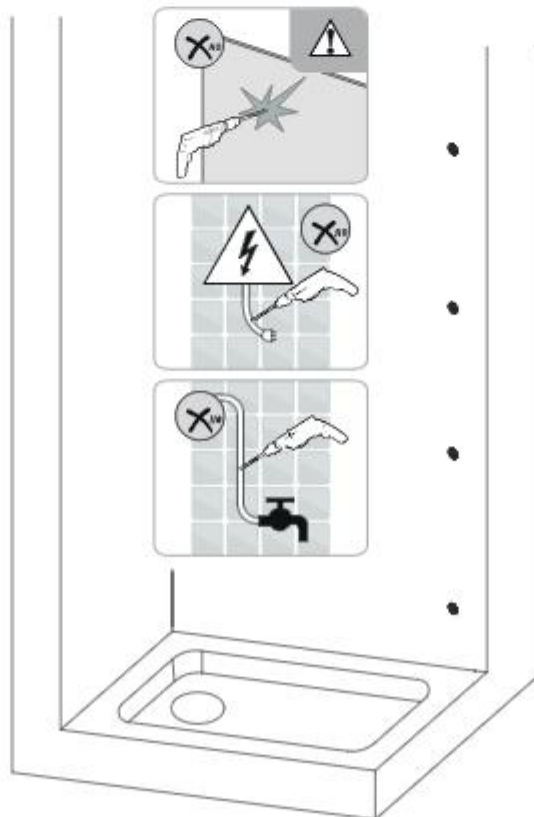
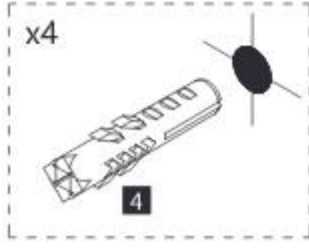
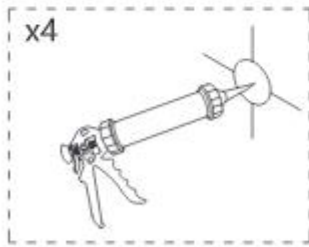
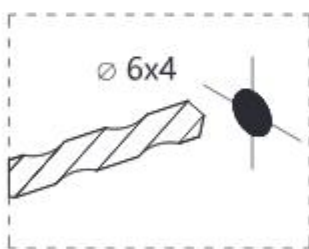


Product	X(mm)
1200mm Sliding Door	1150-1190
1400mm Sliding Door	1350-1390
1700mm Sliding Door	1650-1690

Product	Y(mm)
800mm Side Panel	770-790
900mm Side Panel	870-890

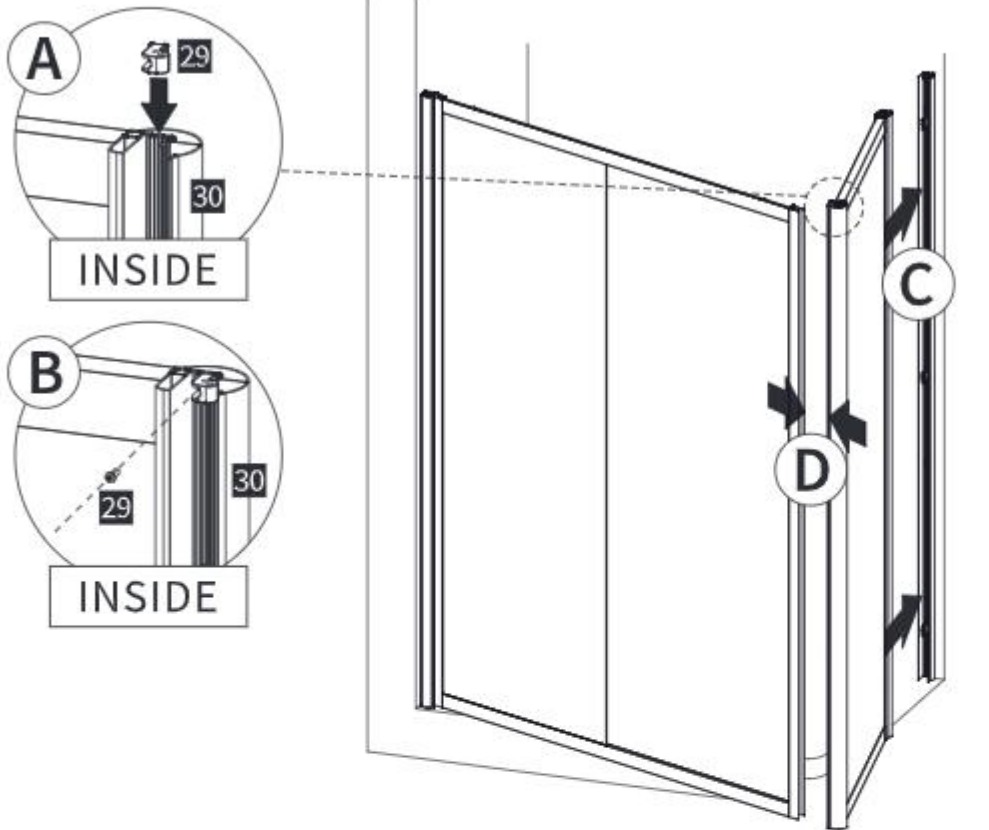


19

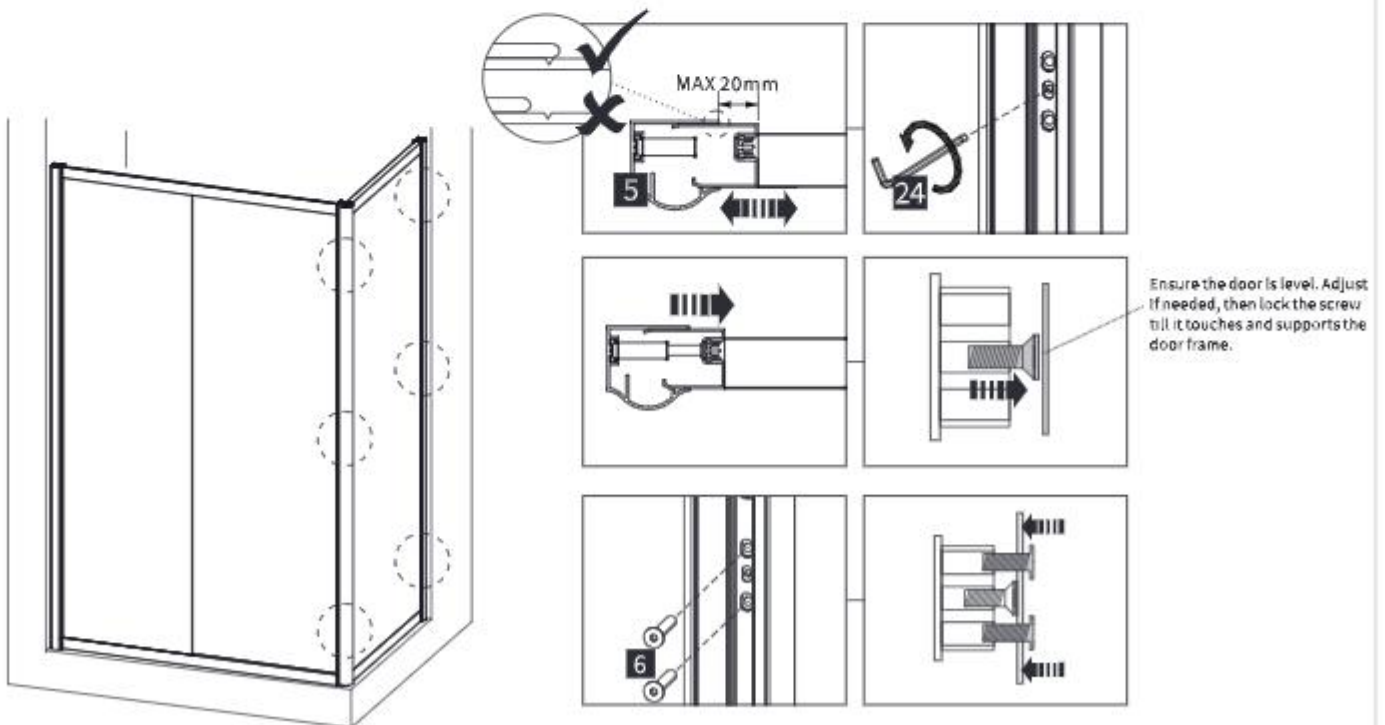


INSTALLATION

20

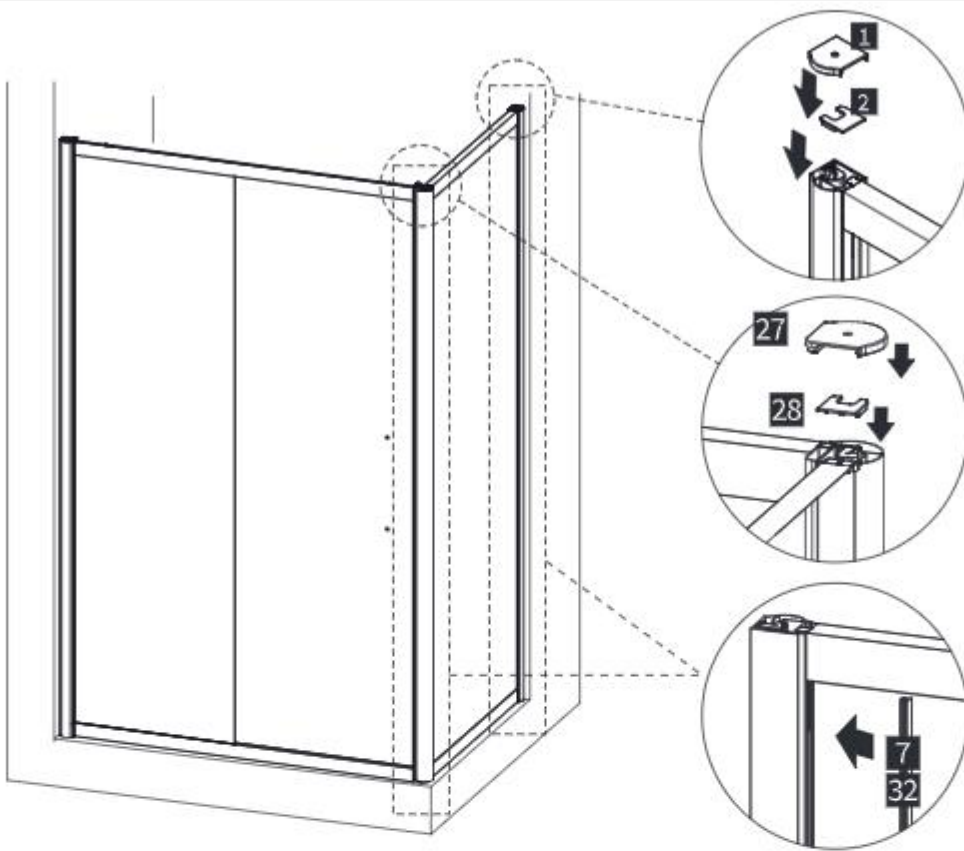


21

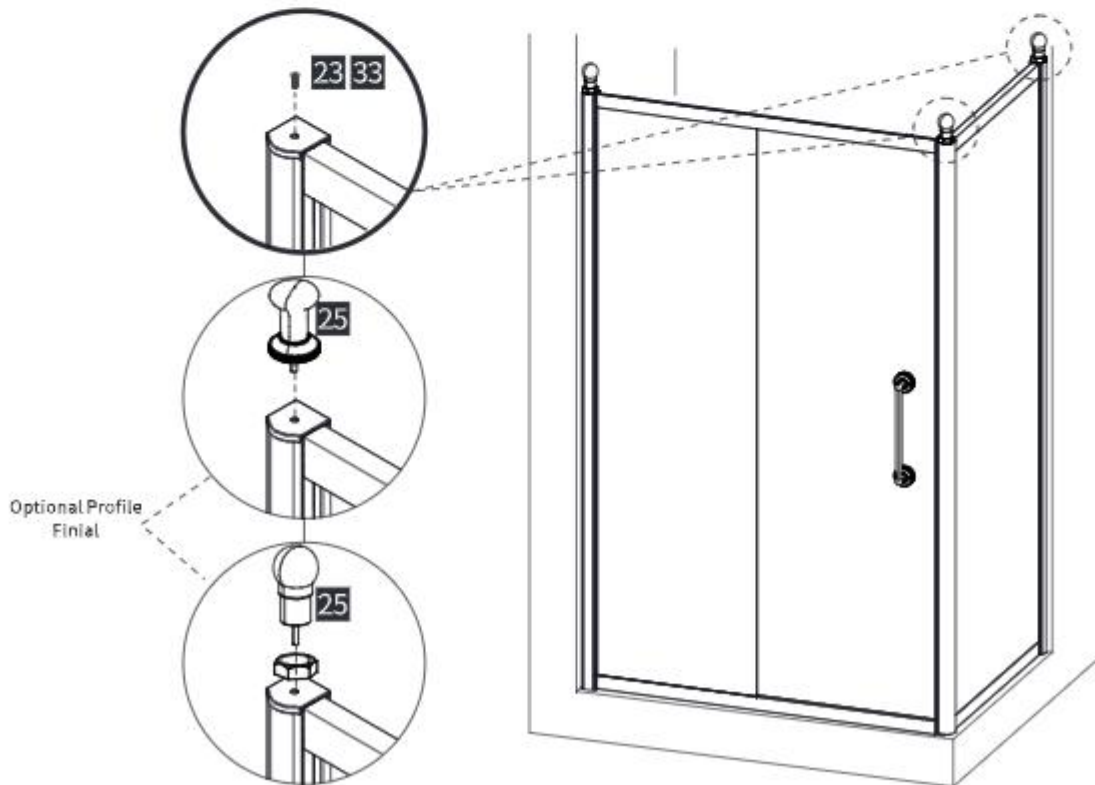


INSTALLATION

22



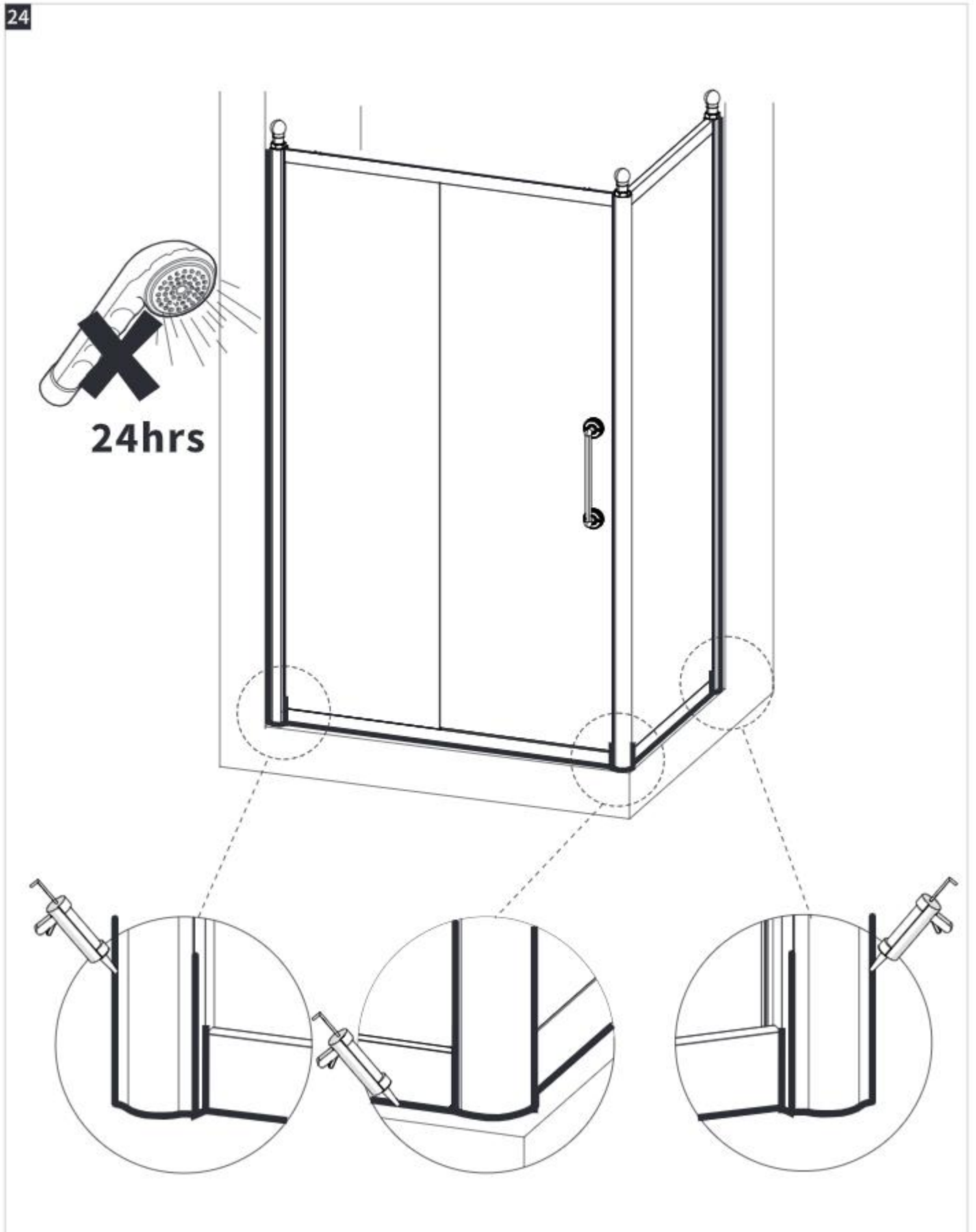
23



INSTALLATION

Burlington[®]

24



Burlington[®]

CARE & MAINTENANCE

Do not use solvents or abrasive materials or chemicals to clean shower doors.

PH < 6.8, PH > 7.2

Only use soapy water and soft cloth, rinse thoroughly afterwards.

PH = 6.8 - 7.2



Burlington[®]

Part of the
Bathroom Brands Group

We reserve the right to make technical modifications without prior notice.

Burlington[®]

Lake View House
Rennie Drive, Dartford
Kent DA1 5FU
United Kingdom
0345 873 8840
www.crosswater.co.uk