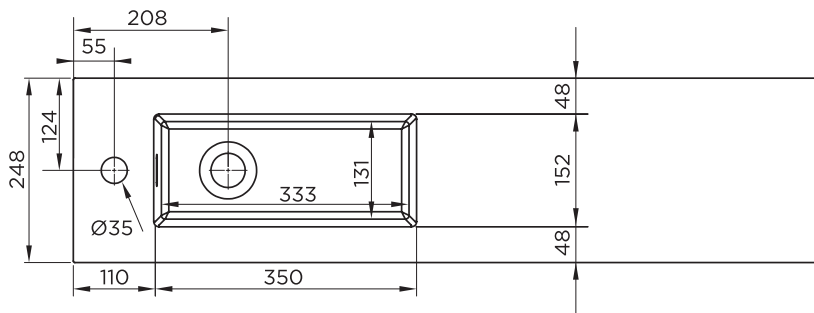
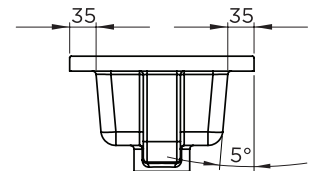
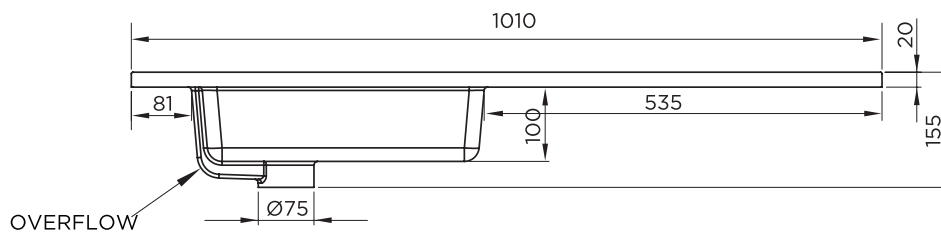


TECHNICAL DATA SHEET

STRAIGHT COMBINATION BASIN UNIVERSAL



Left Hand basin shown

Diagrams not to scale
All dimensions in mm tolerance
of +/-5mm

*Requires Vanity Unit 29135N/ and WC Unit 29136N/

RANGE	STRAIGHT COMBINATION
PRODUCT TYPE	ONE PIECE STRAIGHT BASIN
CODE	877
OUTER DIMENSIONS (HxWxD)	155 x 1010 x 248mm
INTERNAL BASIN DIMENSIONS (HxW)	100 x 350mm
MATERIAL	SOLID SURFACE
TAP HOLE	ONE TAP HOLE
WASTE	NOT INCLUDED
OVERFLOW	YES
PRODUCT WEIGHT	8.6Kg
GUARANTEE	5 YEARS

*Dimensions are subject to change, customers are advised to measure actual product before commencing installation.

**Fixing point dimensions are for guidance only, the positions of wall fixing must be checked when product is received.