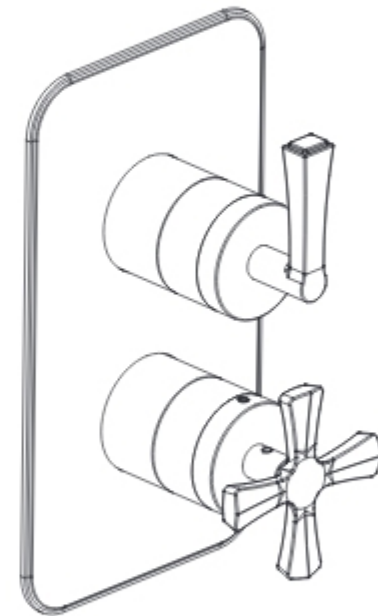


## TECHNICAL DETAILS

For full technical details on all our products,  
please visit our website [www.burlingtonbathrooms.com](http://www.burlingtonbathrooms.com)

Riviera 1000 shower plate and handles Chrome  
Riviera 1000 shower plate and handles Gold  
Riviera 1500 shower plate and handles Chrome  
Riviera 1500 shower plate and handles Gold

RIV2CHR  
RIV2GOLD  
RIV3CHR  
RIV3GOLD



## INSTALLATION INSTRUCTIONS

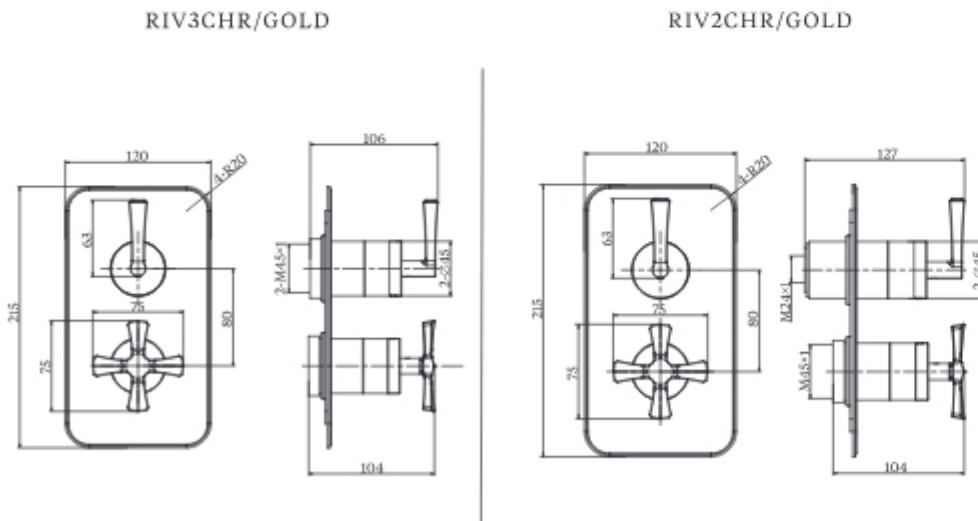
## INSTALLATION INSTRUCTIONS

Please read these instructions carefully and keep in a safe place for further reference.

### IMPORTANT

- We recommend that this product is installed by a qualified professional contractor. Such as a plumber who is certified by NVQ (National Vocational Qualification) or SNVQ (Scottish National Vocational Qualification) Level 3.
- Please check this product immediately to ensure that it has not been damaged and is complete. Before installation, please make sure this product is the correct model and you have all the parts required for installation and using.
- Please read these instructions carefully and keep it for future reference.

### DIMENSIONS



NOTE: ALL DIMENSIONS IN MILLIMETRES

## Installation of RIV3CHR/GOLD trim sets (needs to be used with HOX.005V)

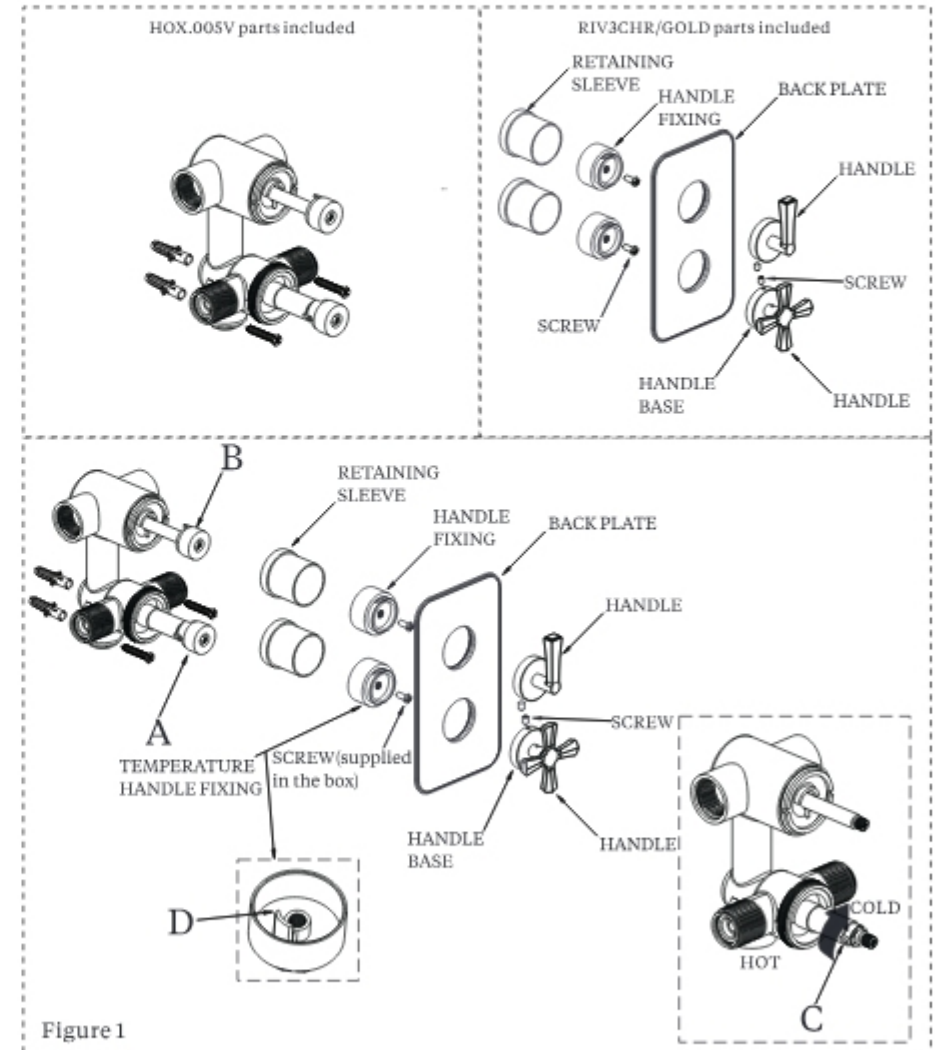


Figure 1

## **IMPORTANT:**

For valve body installation, please refer to instructions included with HOX.005V.

### **For RIV3 trim sets, please follow below steps to install:**

1. Remove part A and part B from the valve. Part A & B, with the two plastic rings included in the valves are NOT need for this installation.  
 Attention: Please do NOT rotate the cartridge when removing part A.
2. Parts should be assembled in sequence illustrated by Figure 1.
  - 1) Screw the retaining sleeve onto the valve body.
  - 2) Install the handle fixing and temperature handle fixing. Please make sure the flats are horizontal. For the TEMPERATURE HANDLE FIXING, ensure the position D is aligned with position C as indicated in the diagram. Then fix the 2 handle fixings by the screws supplied.
  - 3) If needed, please adjust the retaining sleeves slightly to reduce or enlarge the gap between the sleeves and handle fixings. Please ensure the gap is at least 0.5mm to avoid friction during operation.
  - 4) Slide the back plate onto the retaining sleeve, slightly press the back plate evenly so that the double-sided tape on the back attach to the wall.
3. Assemble the 2 handles (lever handle on the top and cross handle on the bottom).

### Installation of RIV2CHR/GOLD trim sets (needs to be used with HOX.006V)

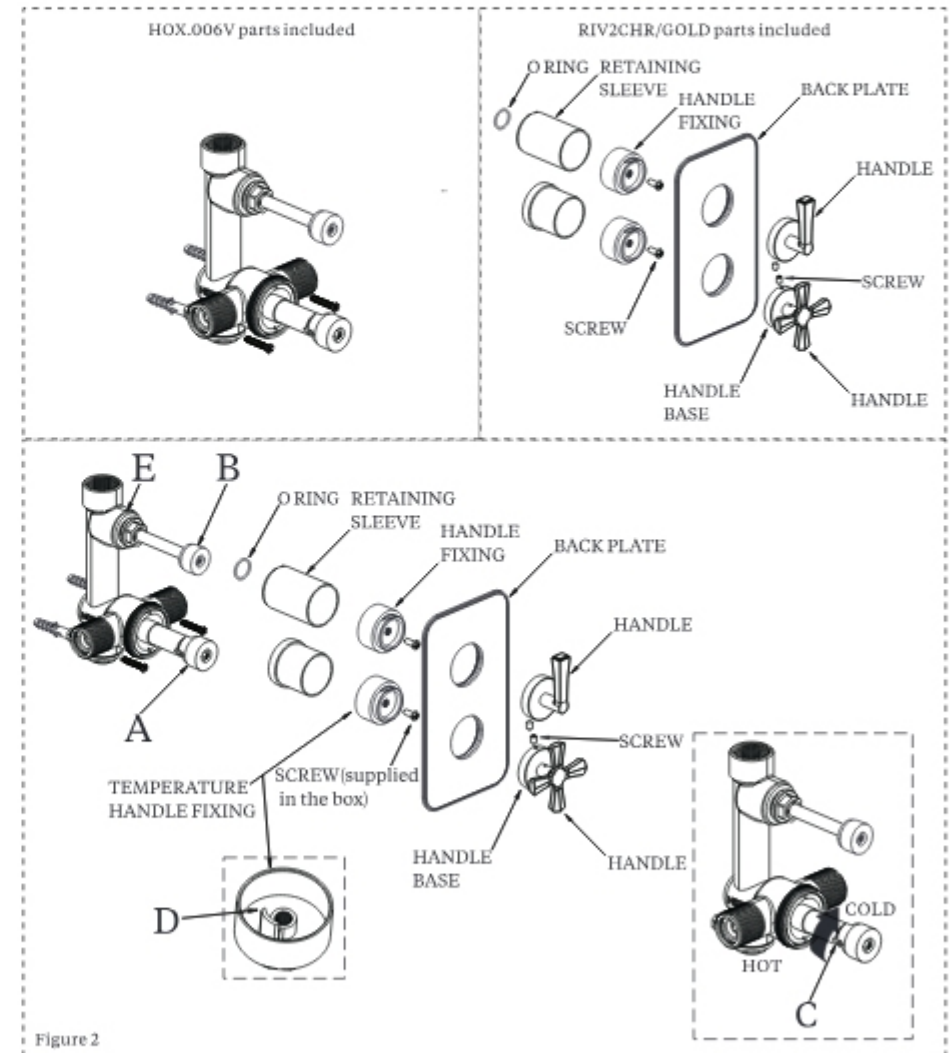


Figure 2

## **IMPORTANT:**

For valve body installation, please refer to instructions included with HOX.006V.

### **For RIV2 trim sets, please follow below steps to install:**

1. Remove part A and part B from the valve. Part A & B, with the two plastic rings included in the valves are NOT need for this installation.

Attention: Please do NOT rotate the cartridge when removing part A.

2. Parts should be assembled in sequence illustrated by Figure2.

1) Assemble the O ring supplied onto the bottom of the ON/OFF valve indicated by position E.

2) Screw the retaining sleeve onto the valve body.

3) Install the handle fixing and temperature handle fixing. Please make sure the flats are horizontal. For the TEMPERATURE HANDLE FIXING, ensure the position D is aligned with position C as indicated in the diagram. Then fix the 2 handle fixings by the screws supplied.

4) If needed, please adjust the retaining sleeves slightly to reduce or enlarge the gap between the sleeves and handle fixings. Please ensure the gap is at least 0.5mm to avoid friction during operation.

5) Slide the back plate onto the retaining sleeve, slightly press the back plate evenly so that the double-sided tape on the back attach to the wall.

3. Assemble the 2 handles (lever handle on the top and cross handle on the bottom).

## **MAINTENANCE**

We do NOT recommend you use any household cleaners to clean the product because these cleaners change substance or formula too frequently. The product should be always cleaned only with soapy water and rinsed with clean water and dried with a soft cloth.

### **THE QUALIFICATIONS**

This product should only be fitted by a qualified plumber to the equivalent of UK NVQ (National Vocational Qualification) or SNVQ (Scottish National Vocational Qualification) Level 3. Should the installation be completed by a non-qualified person then the guarantee may be considered invalid.