

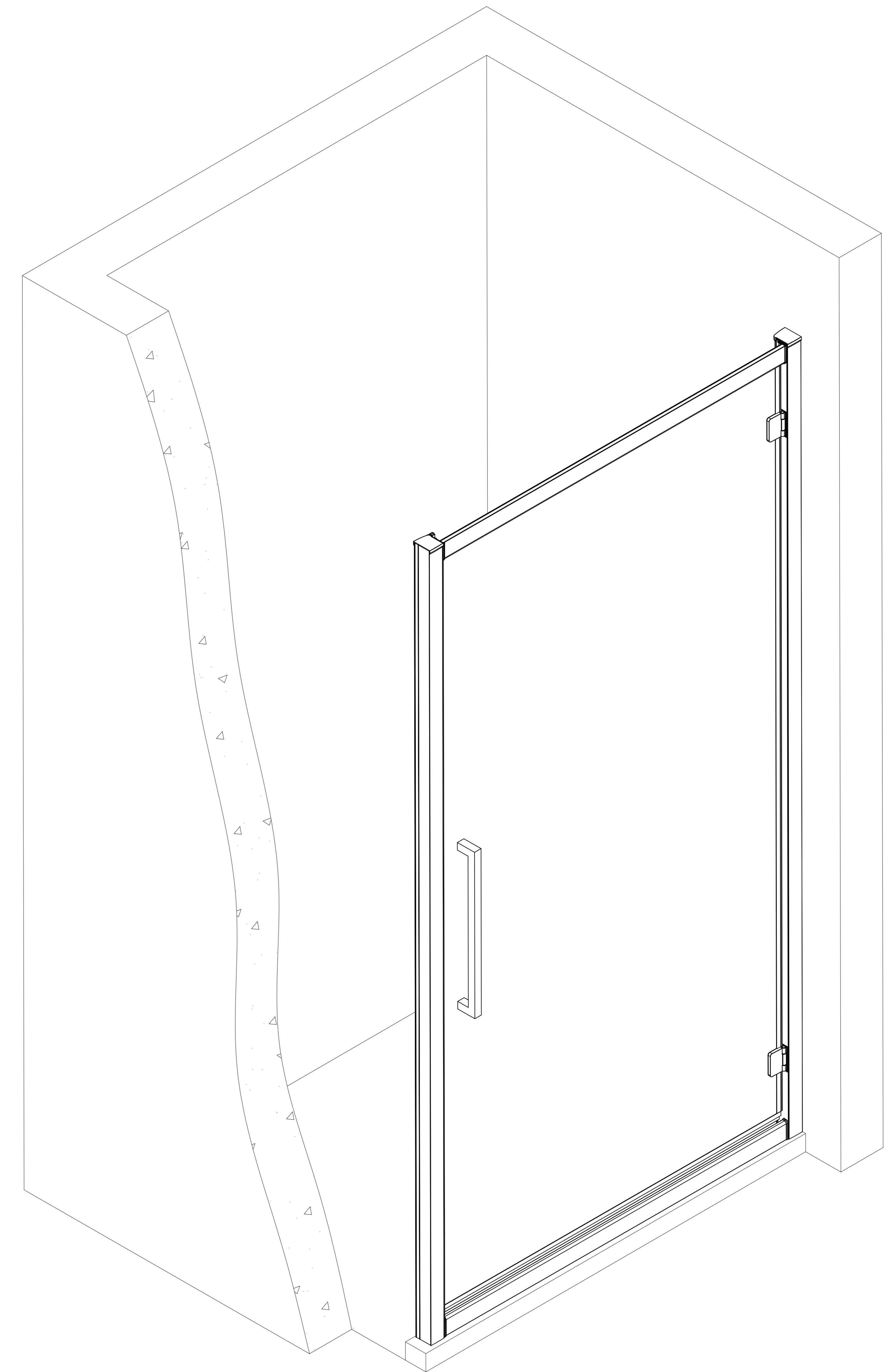
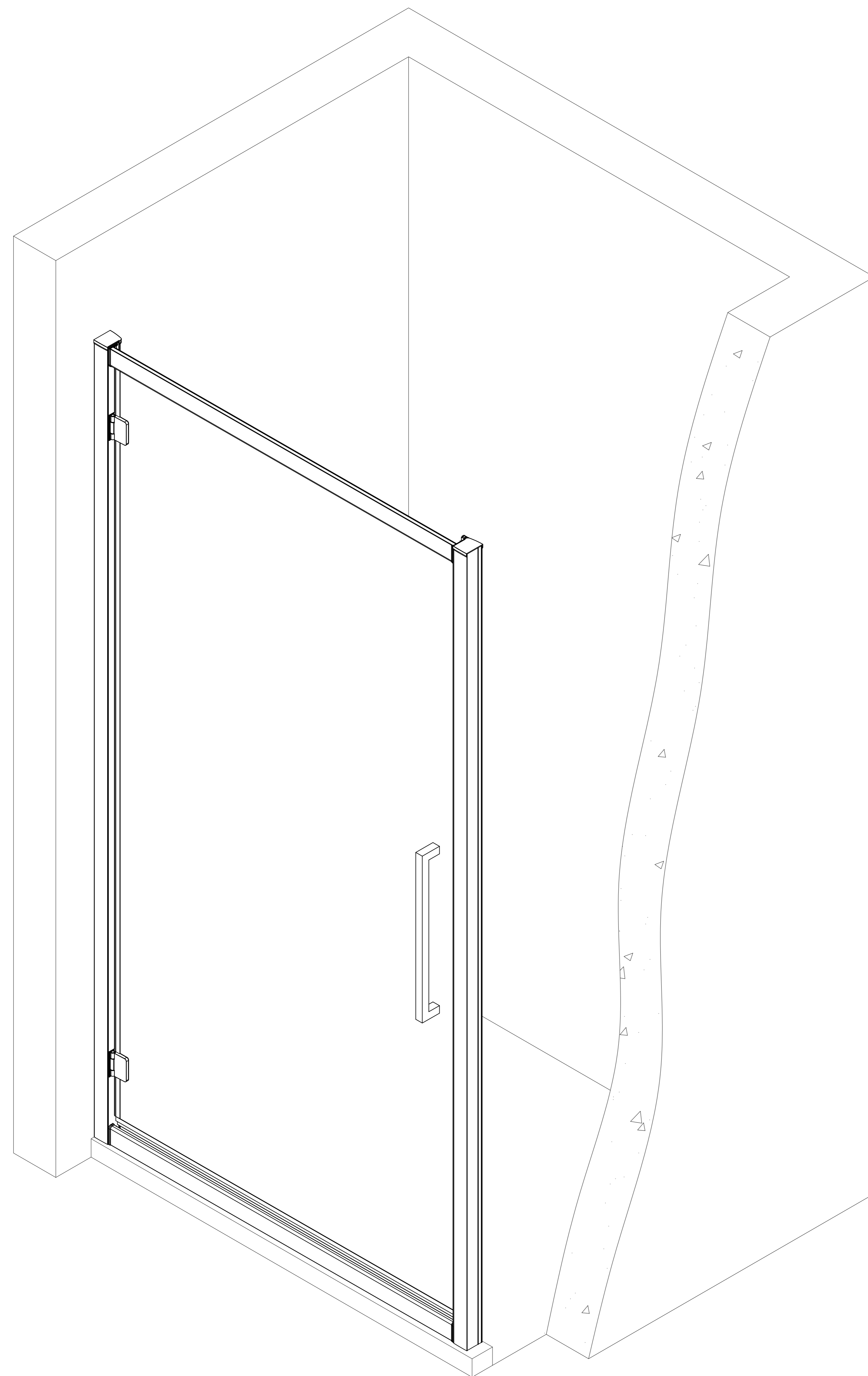
49. 3101/49. 3102/49. 3103/49. 3104/49. 3105

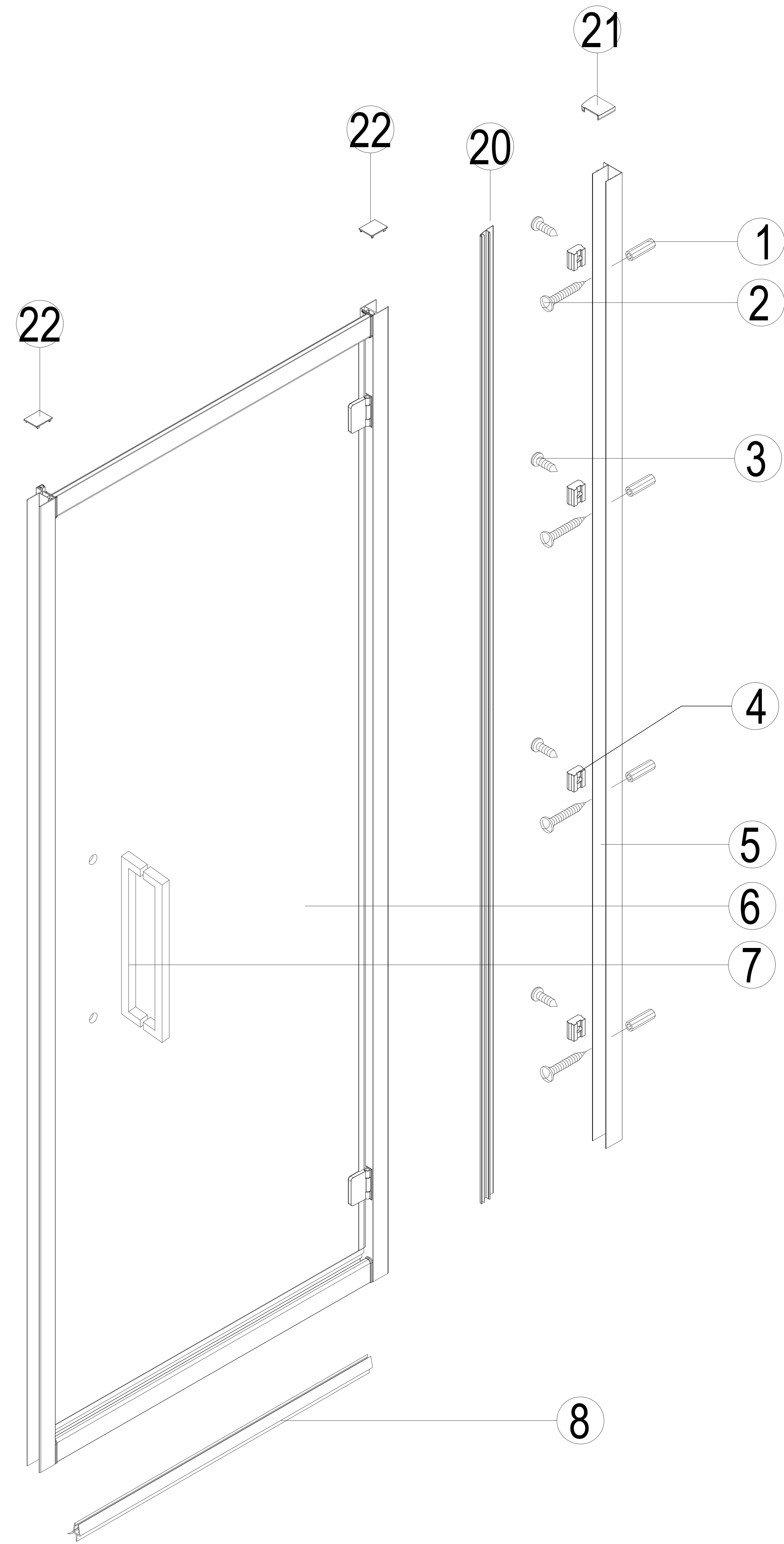
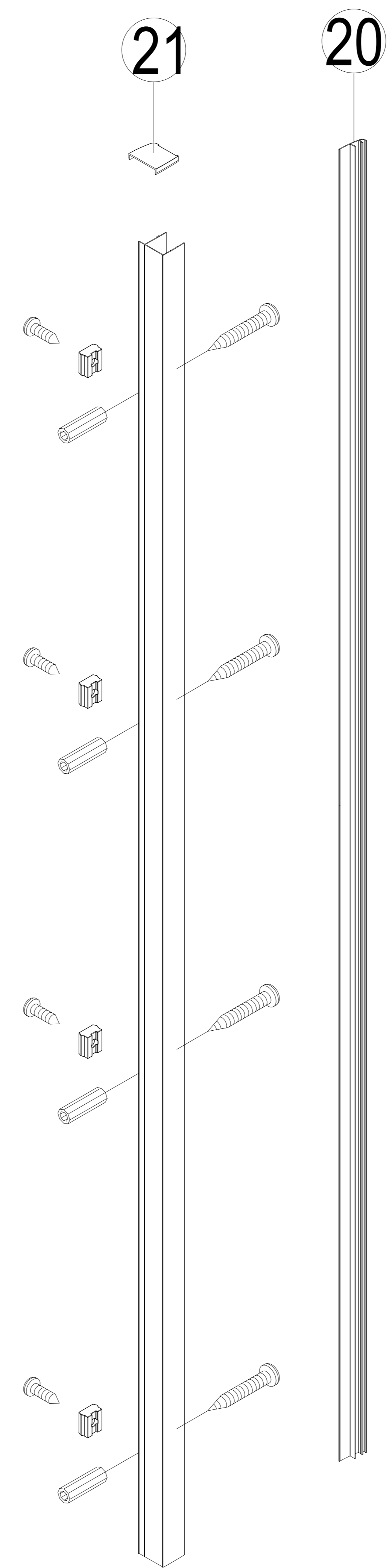
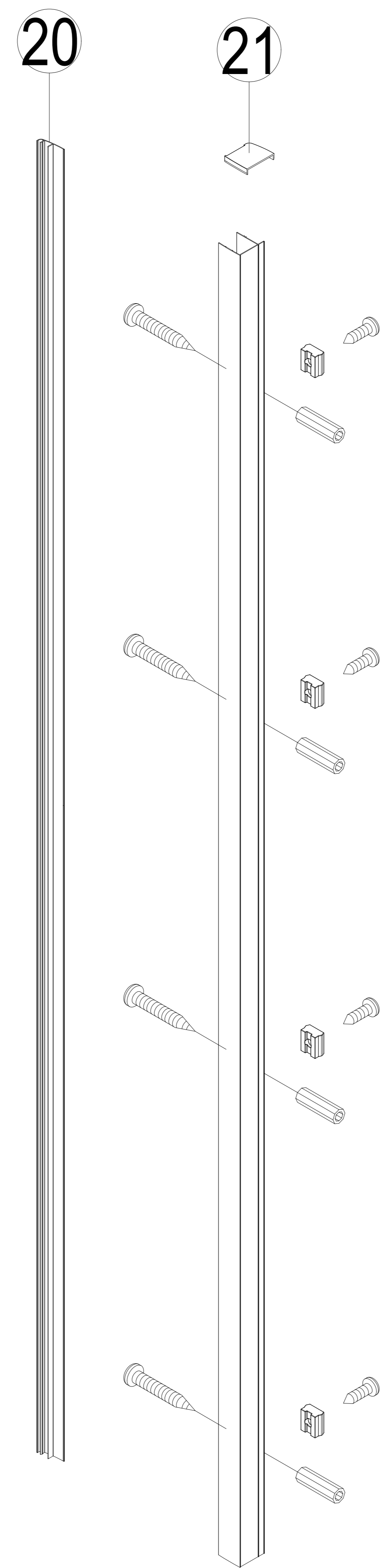
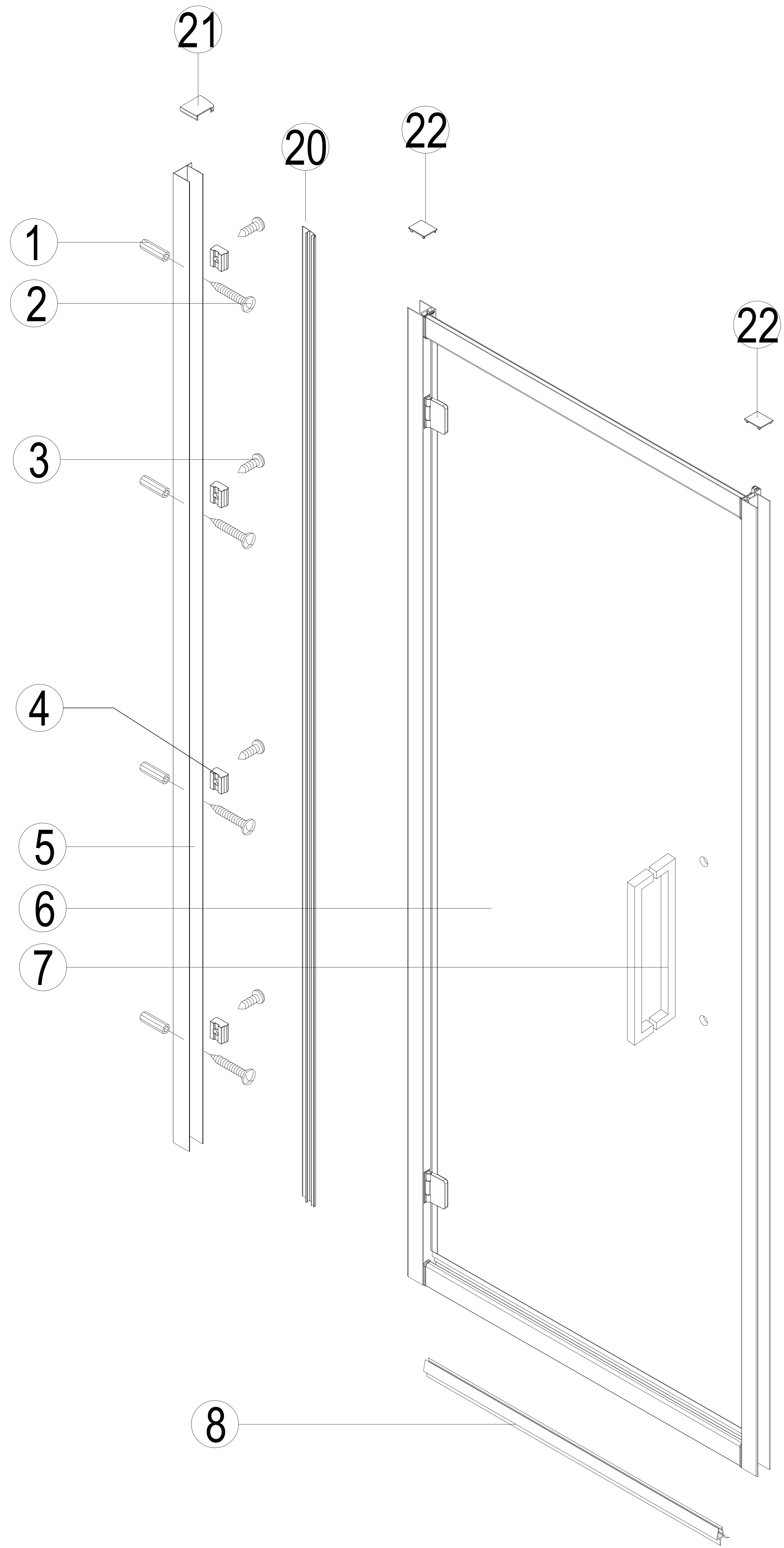
Eastbrook 

Eastbrook Road, Gloucester GL4 3DB

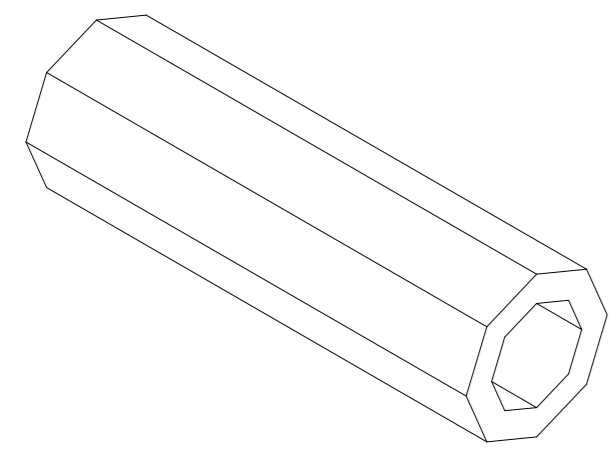
Technical Helpline: 01452 317890

email: technical@eastbrookco.com





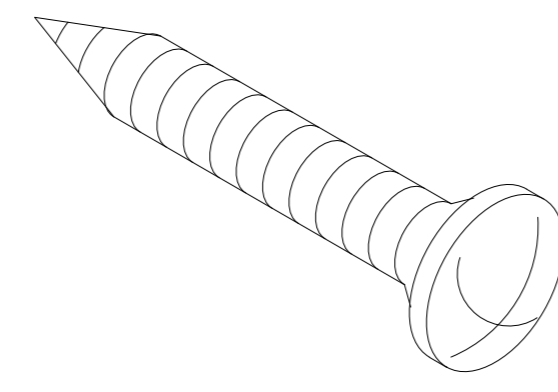
1



D6x30

8Pcs

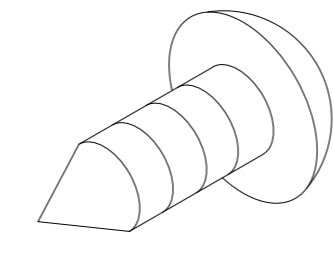
2



ST4X30

8Pcs

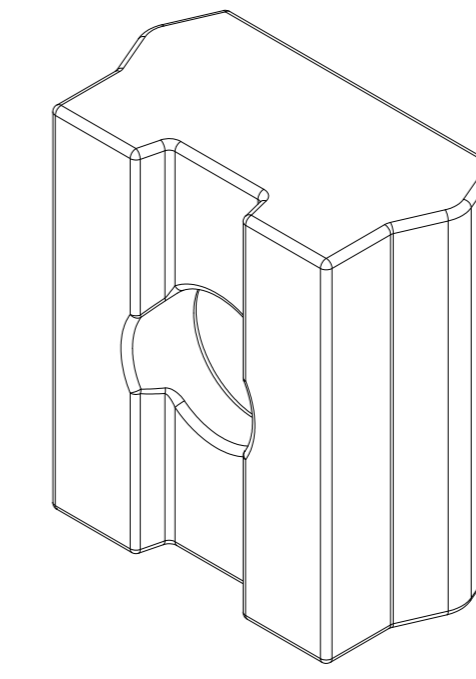
3



ST4X12

8Pcs

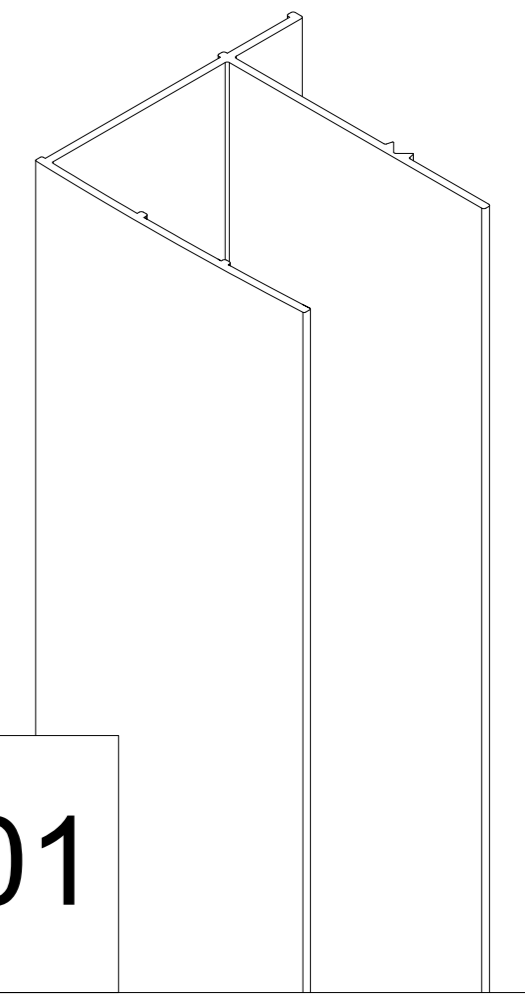
4



CRF-6Y01

8Pcs

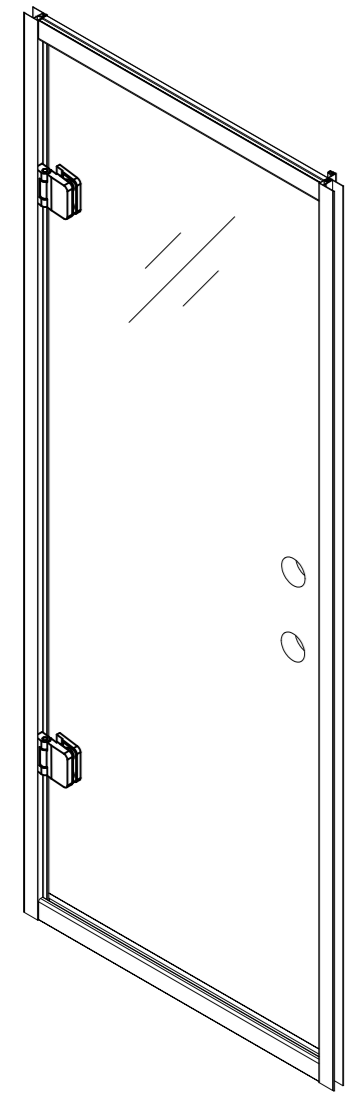
5



CRF-8W01

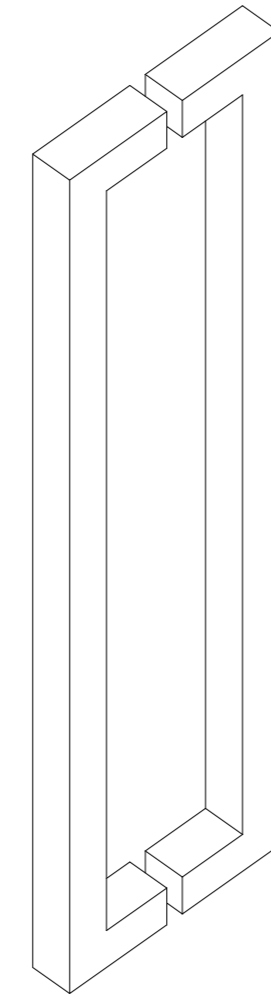
2Pcs

6



1Pc

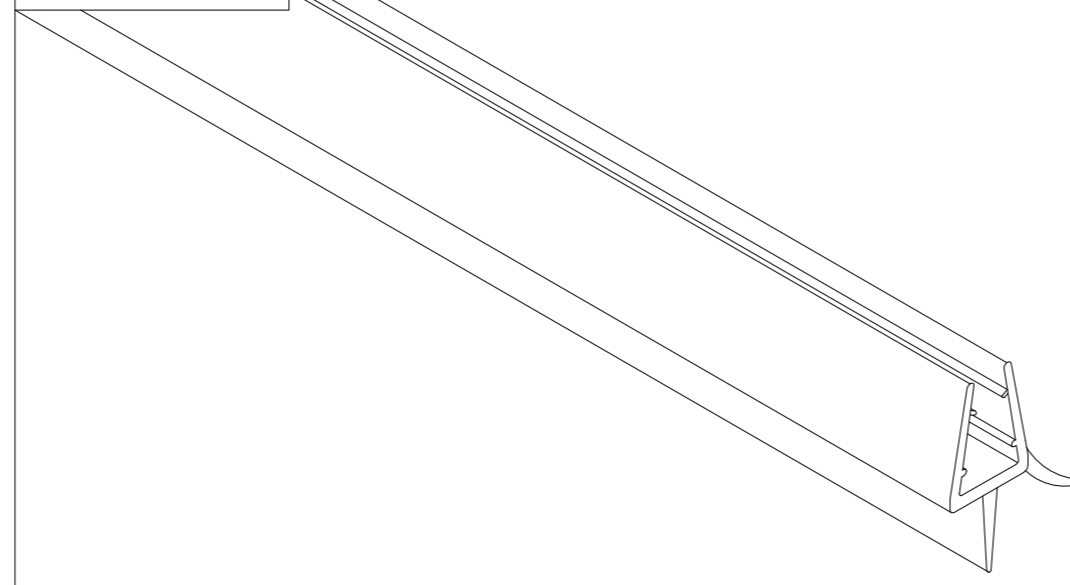
7



CWE-D05

1Pc

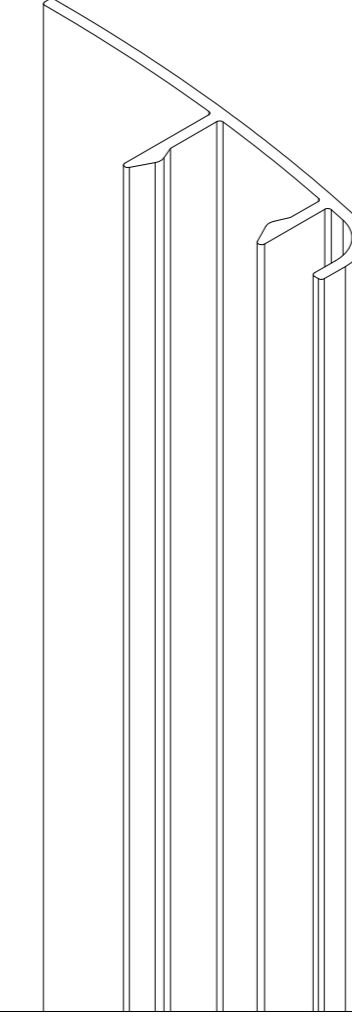
8



CRF-8Z09

1Pcs

20



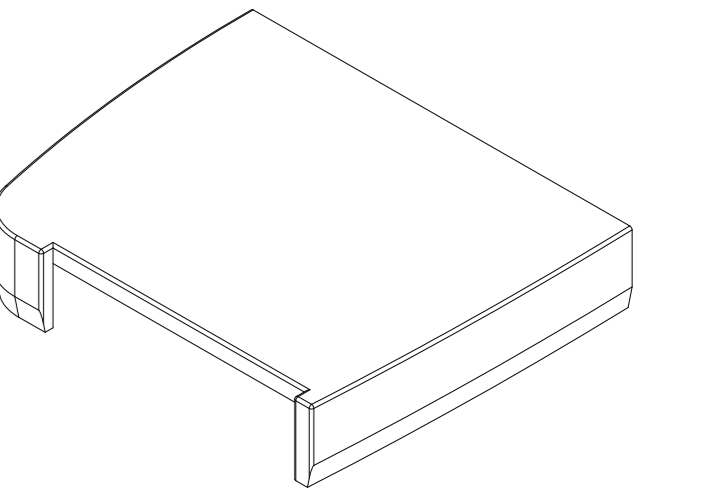
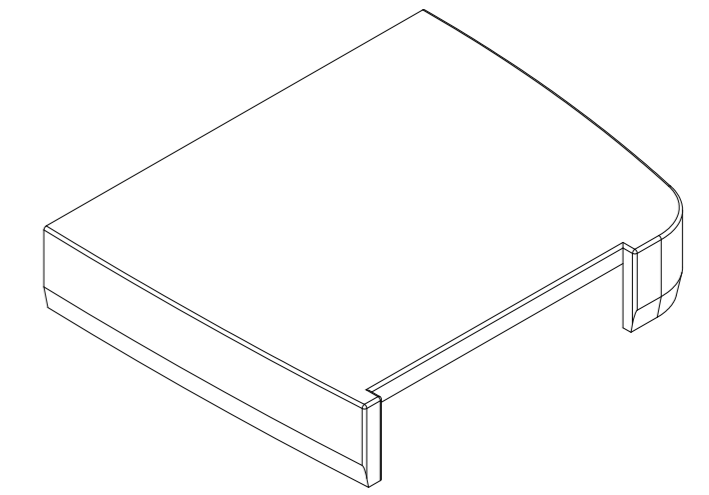
CRF-6C1

2Pcs

21

L

R



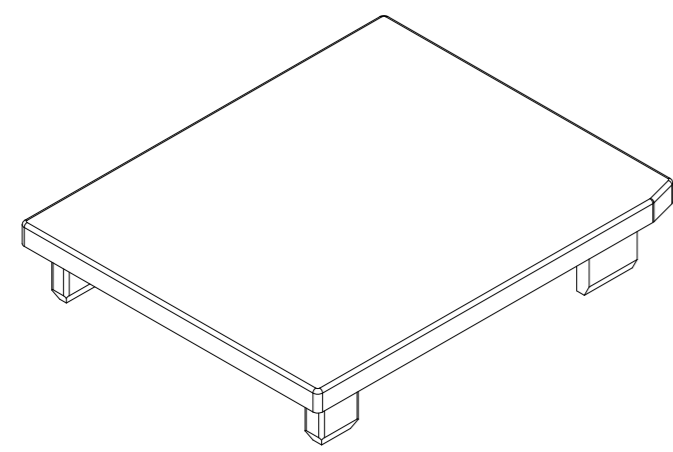
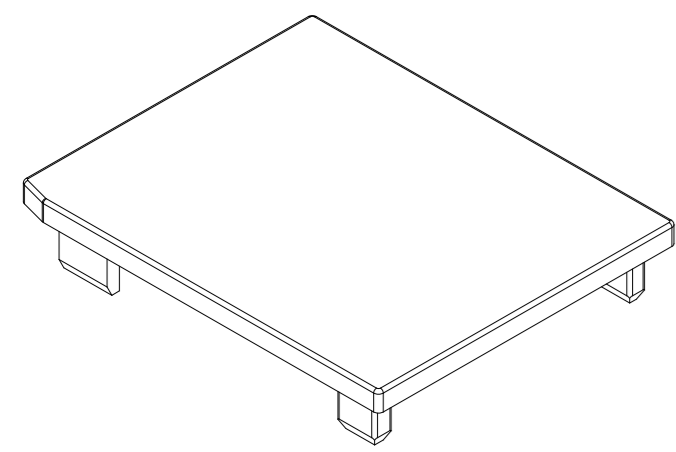
CRF-8S01

2Pcs

22

L

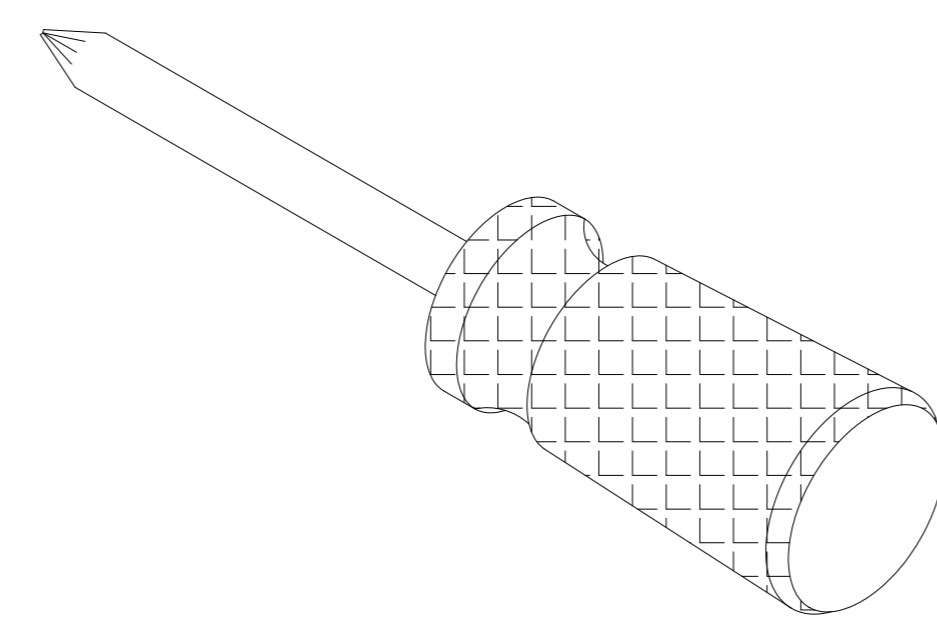
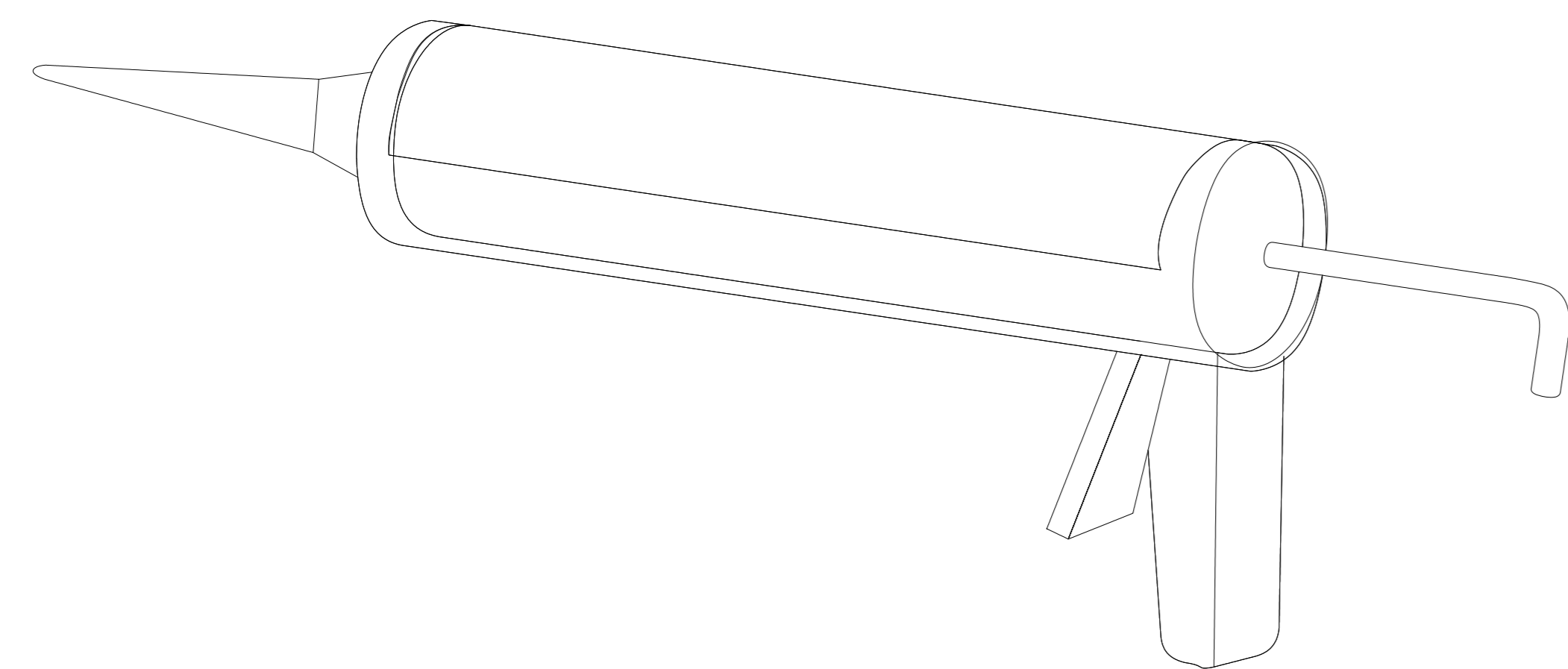
R



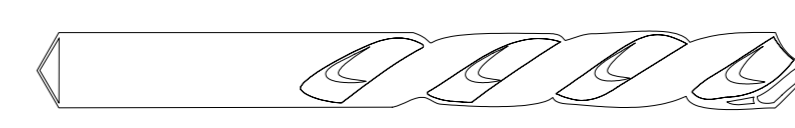
CRF-8S03

2Pcs

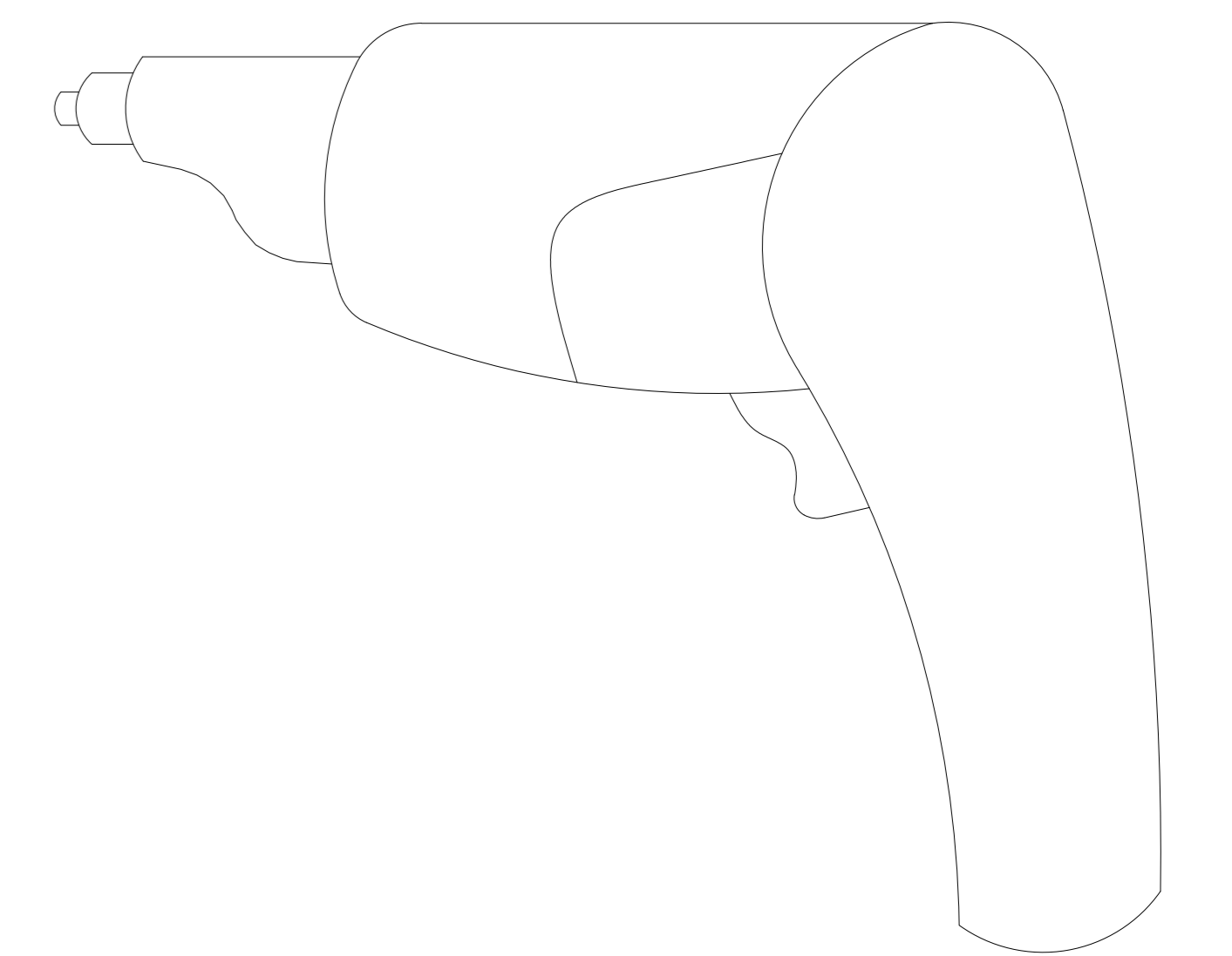
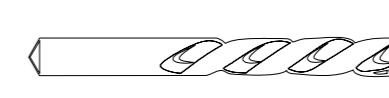
Tools:



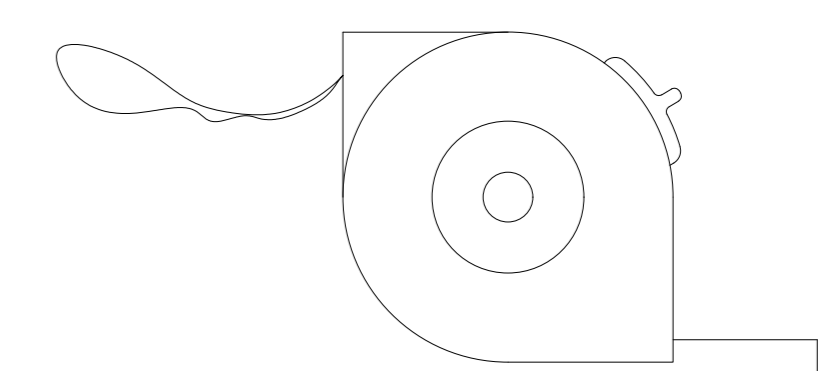
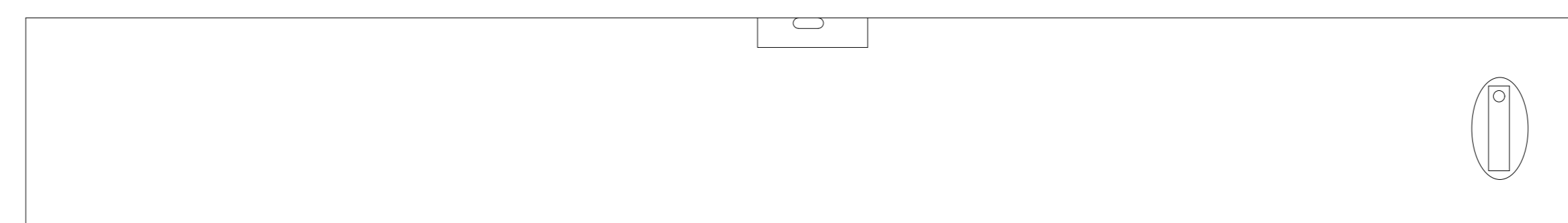
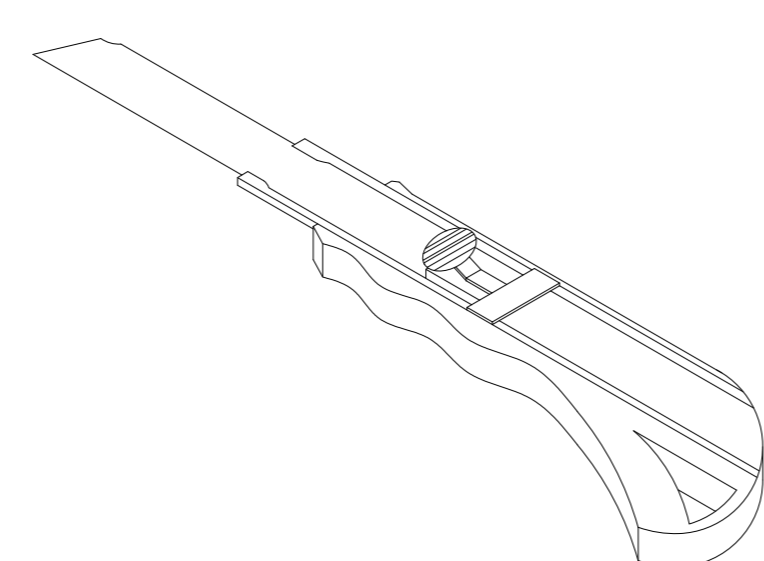
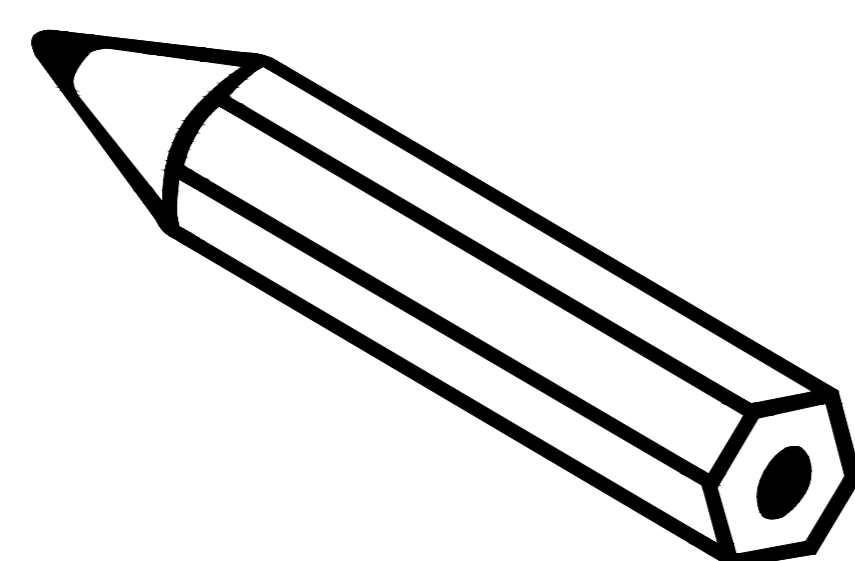
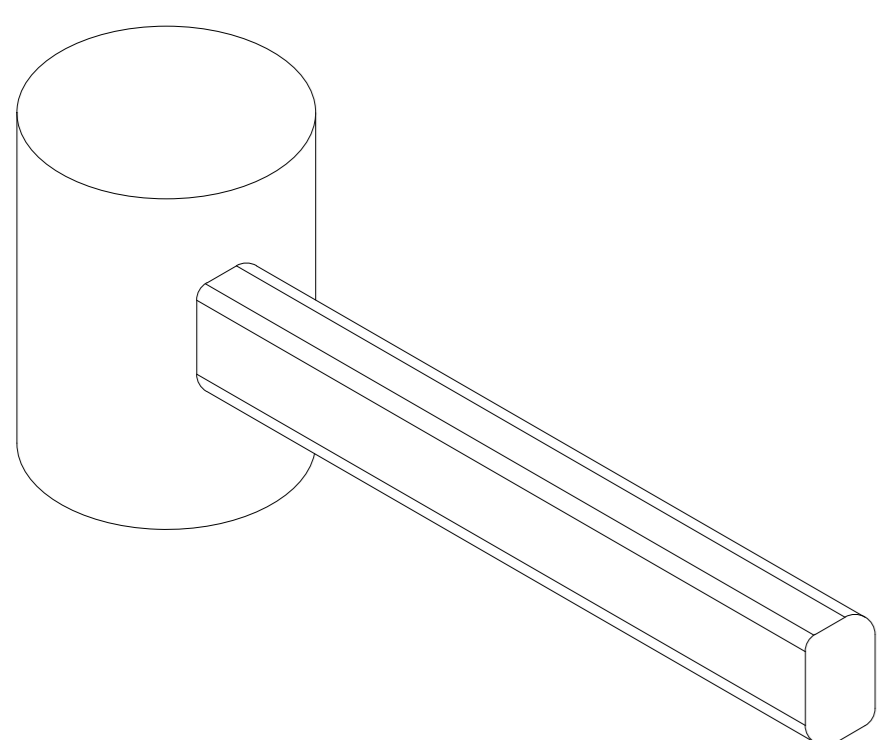
Ø6mm



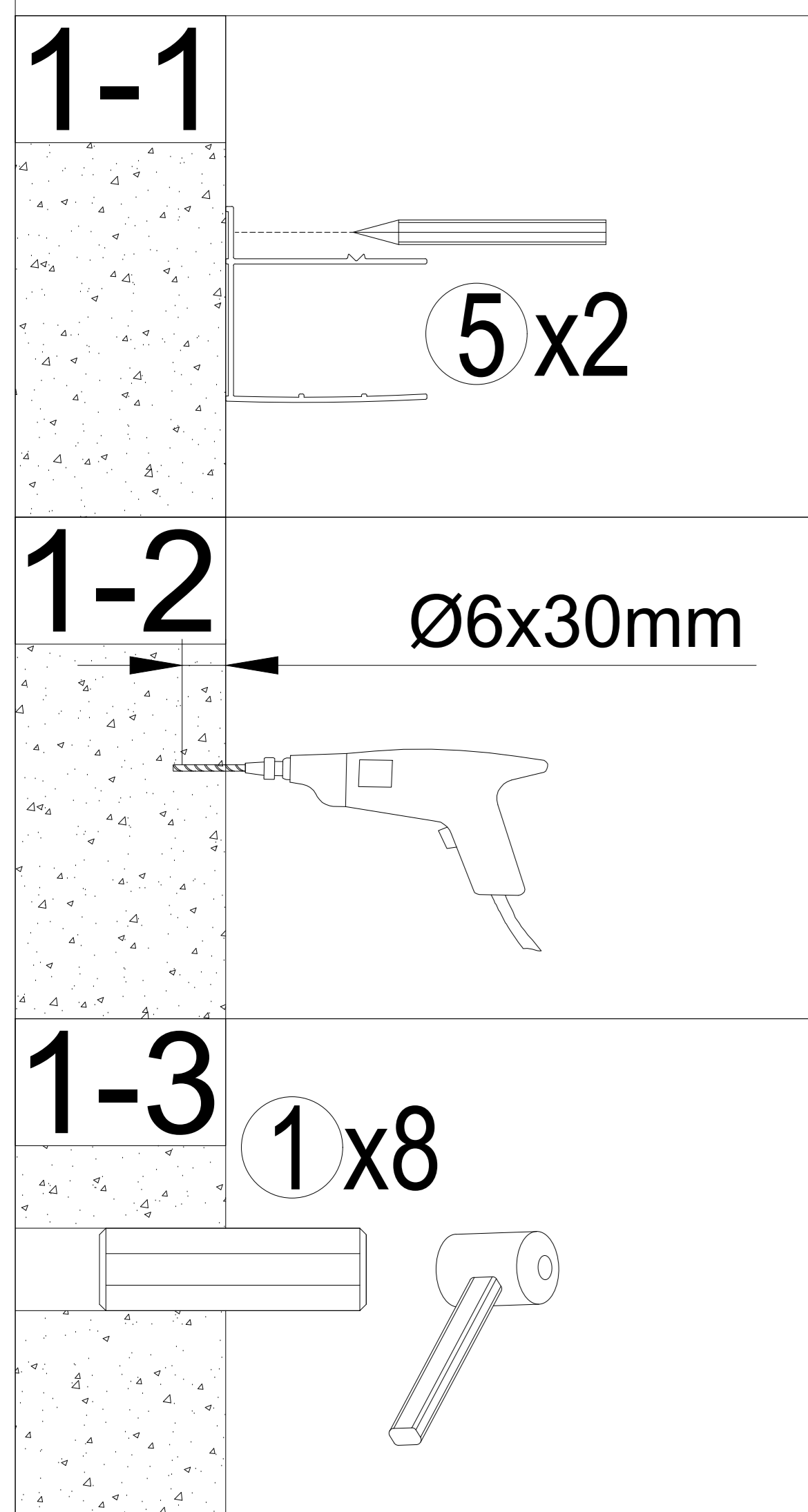
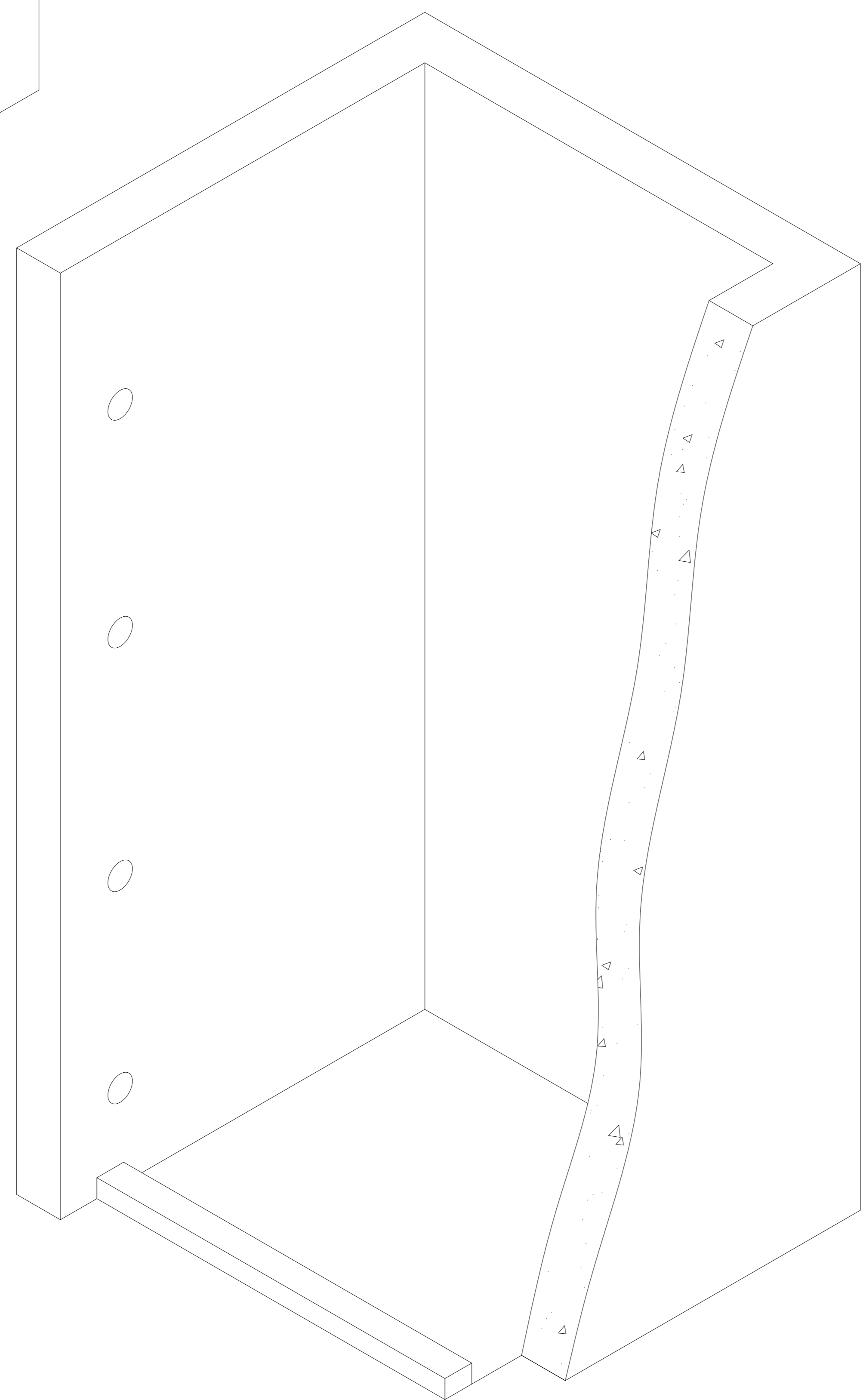
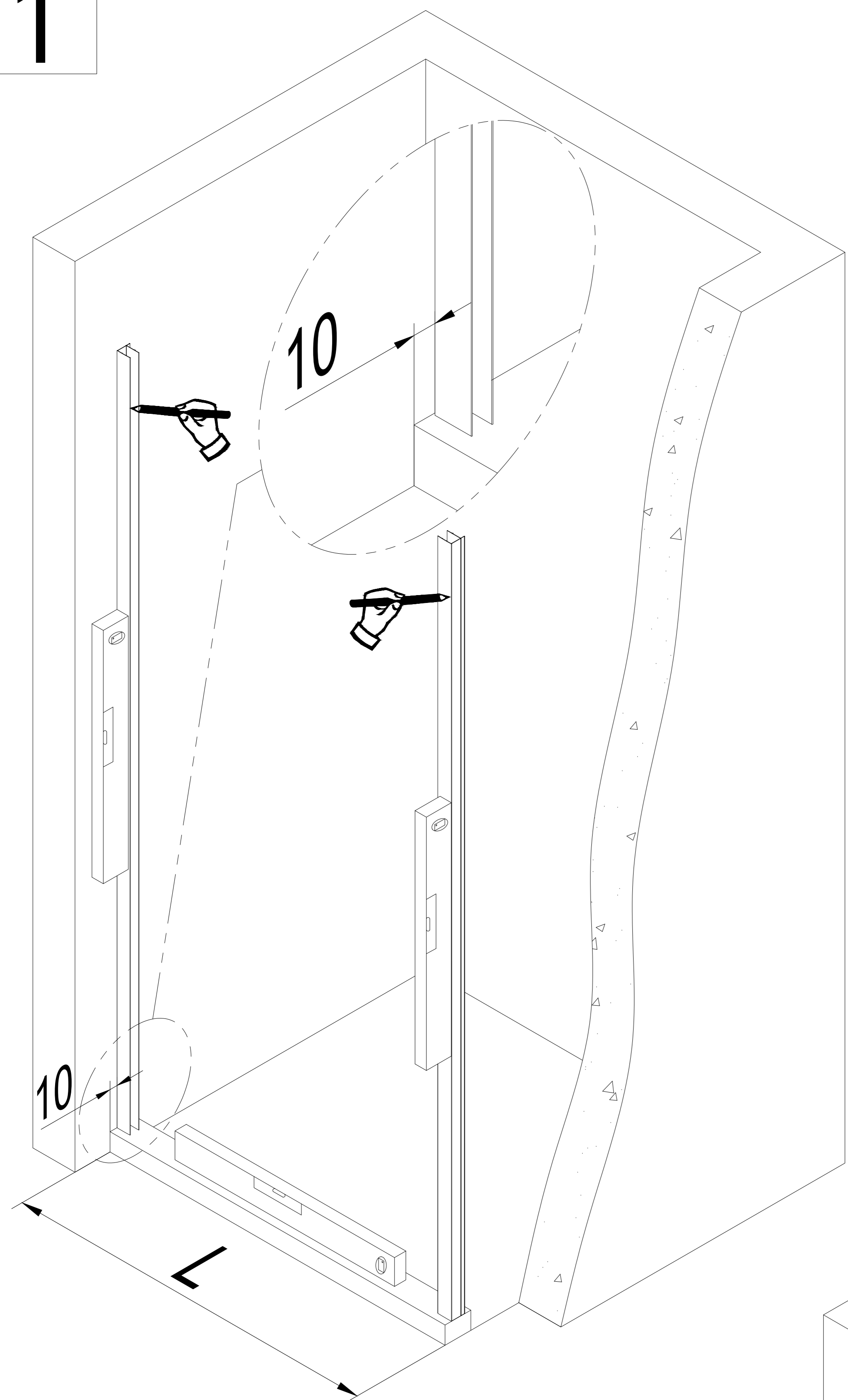
Ø3.2mm



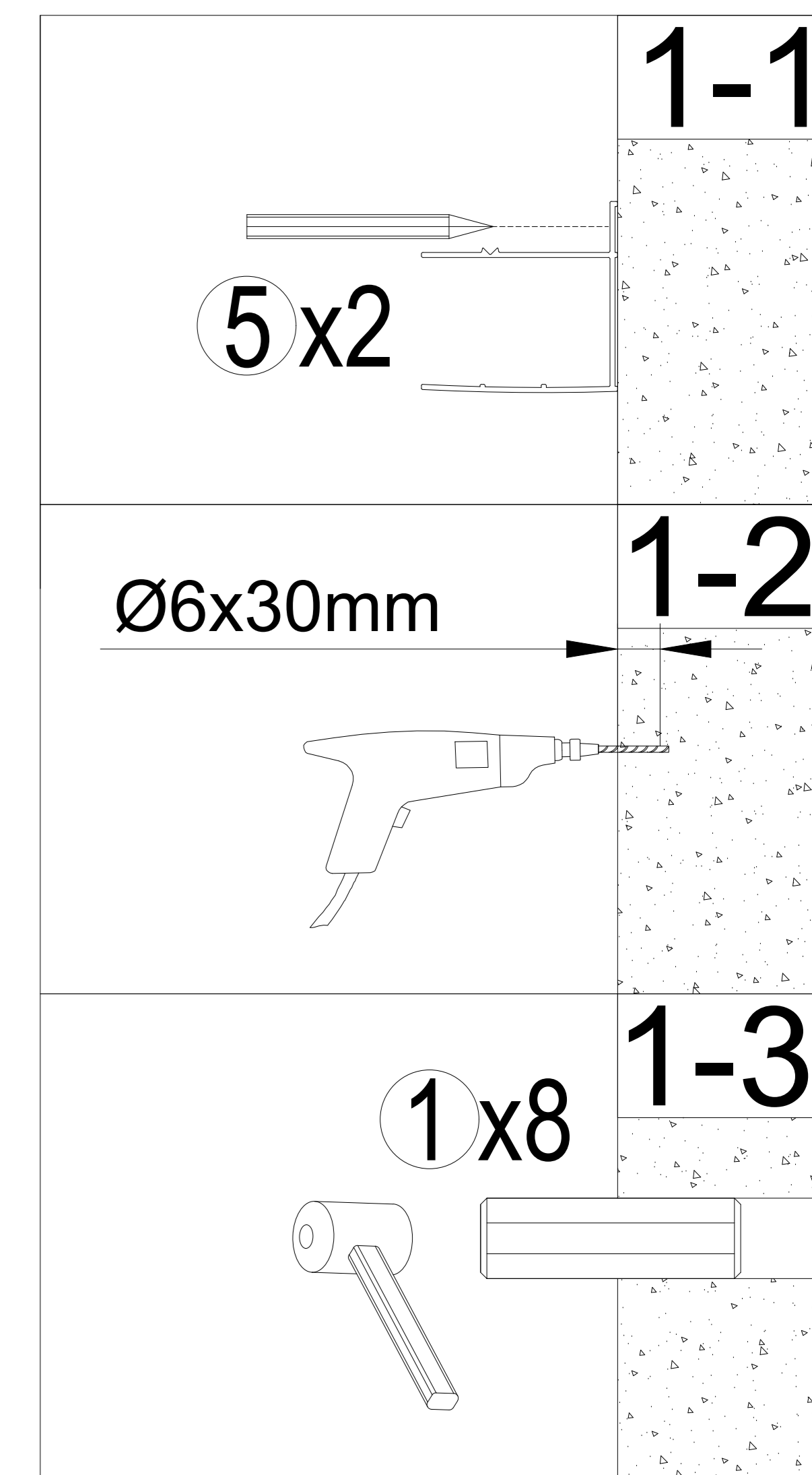
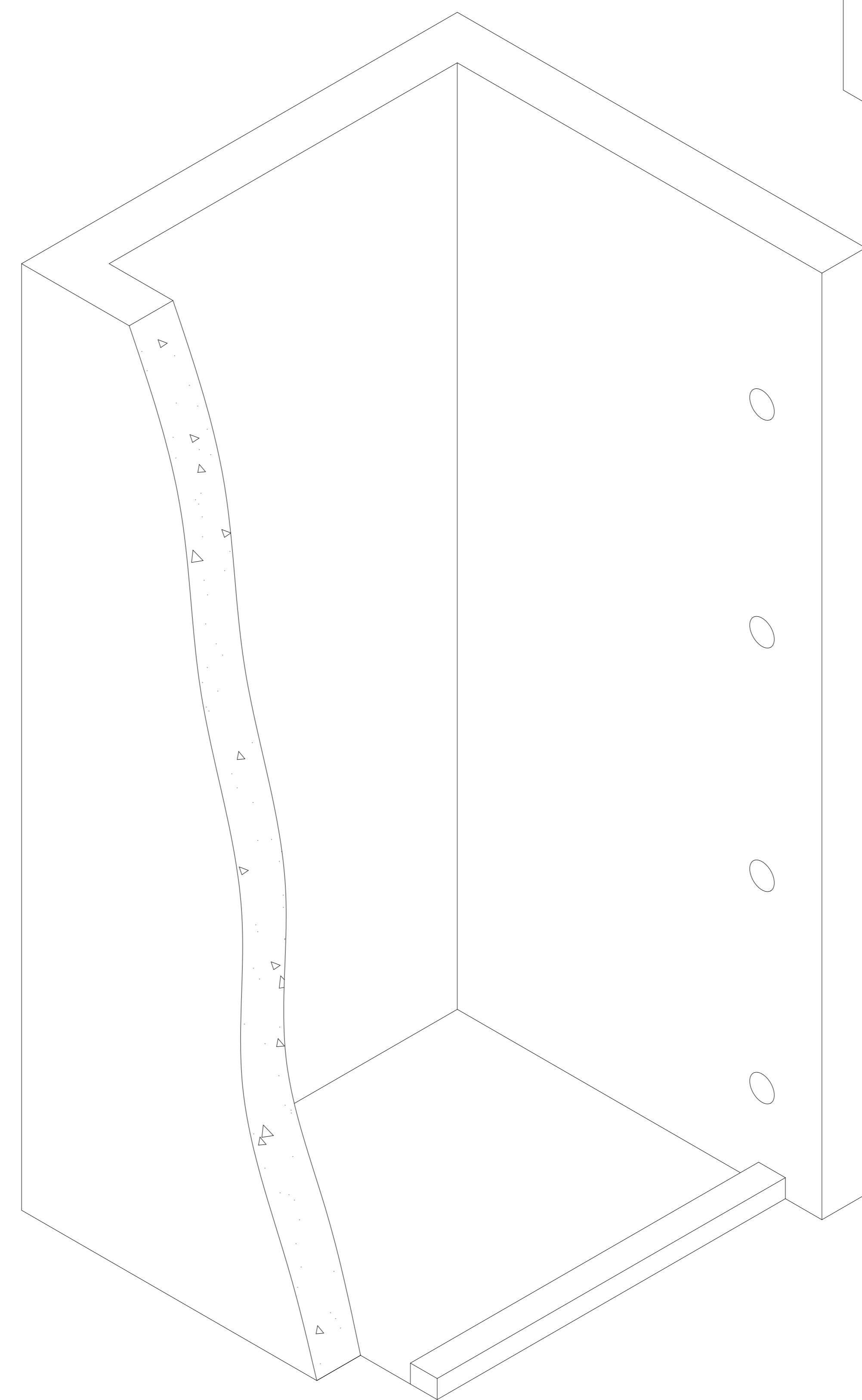
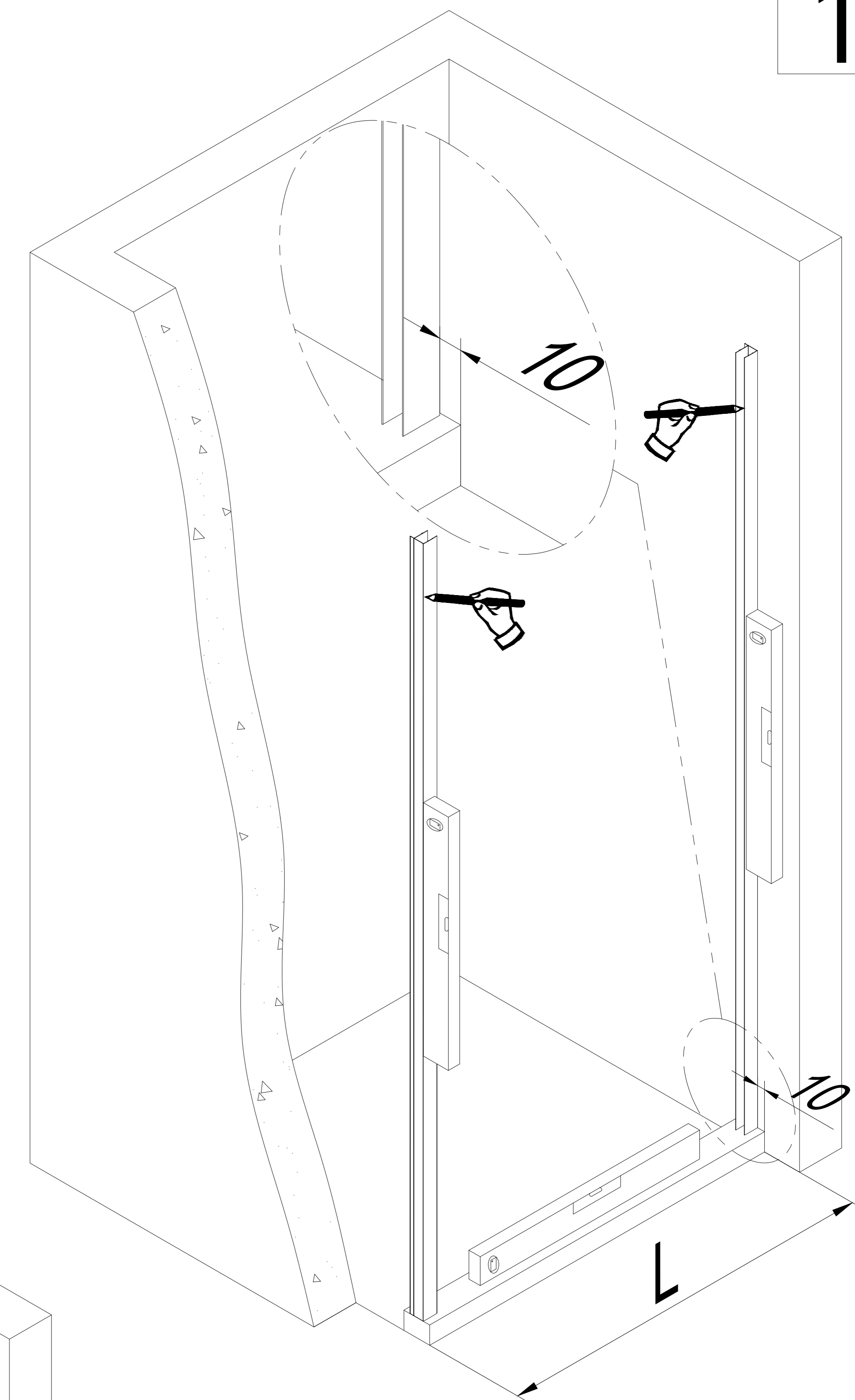
2.5 mm



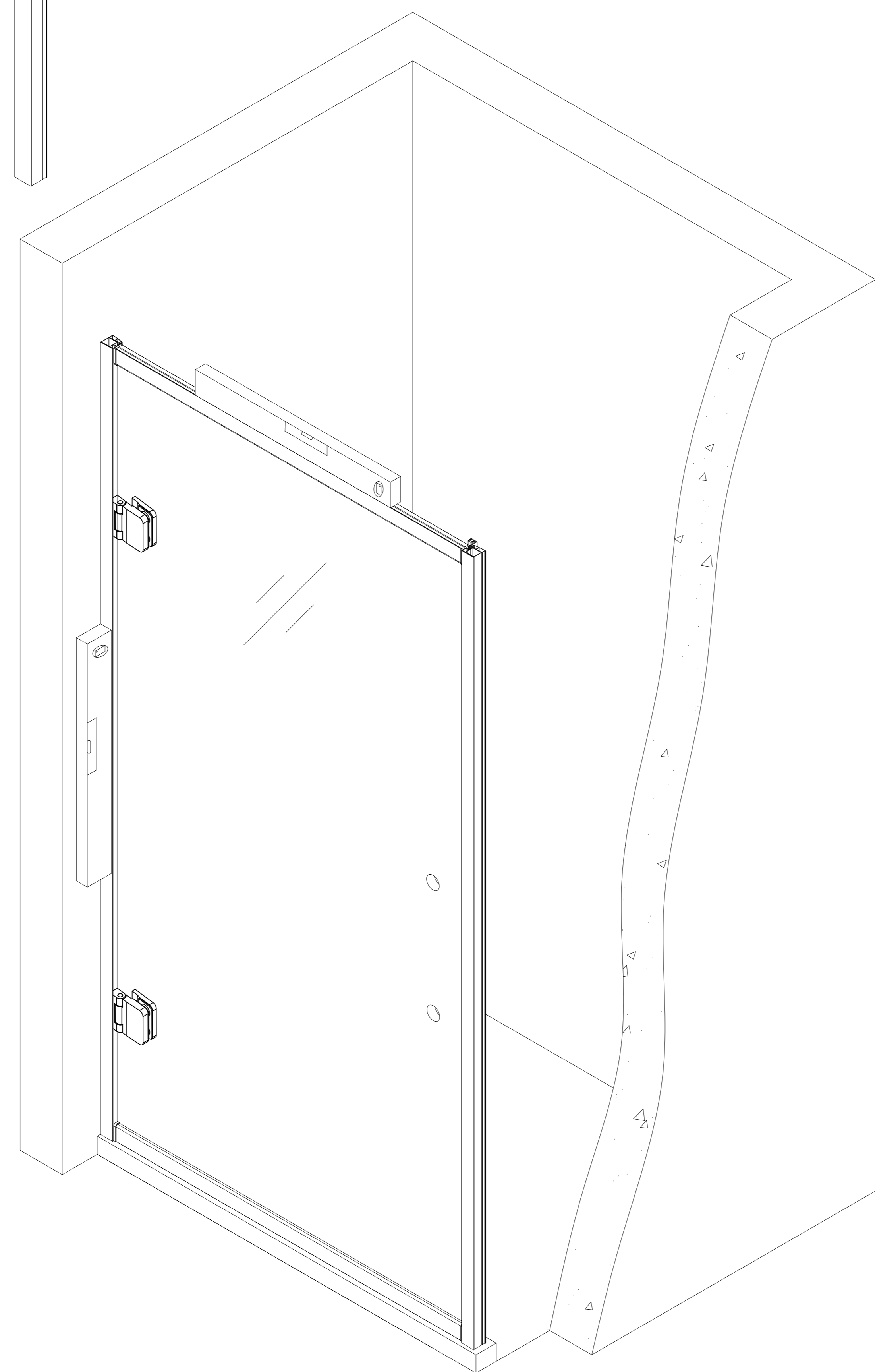
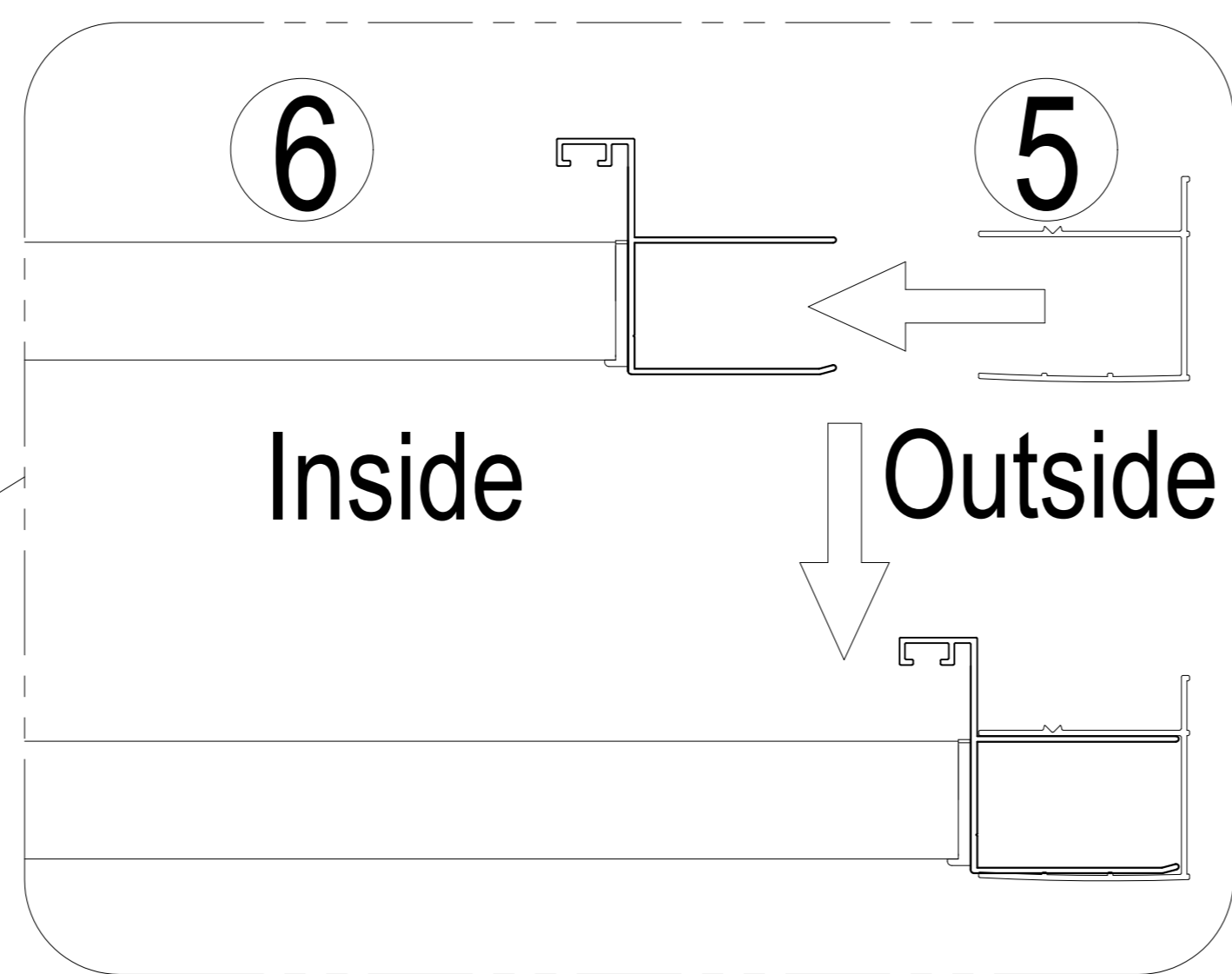
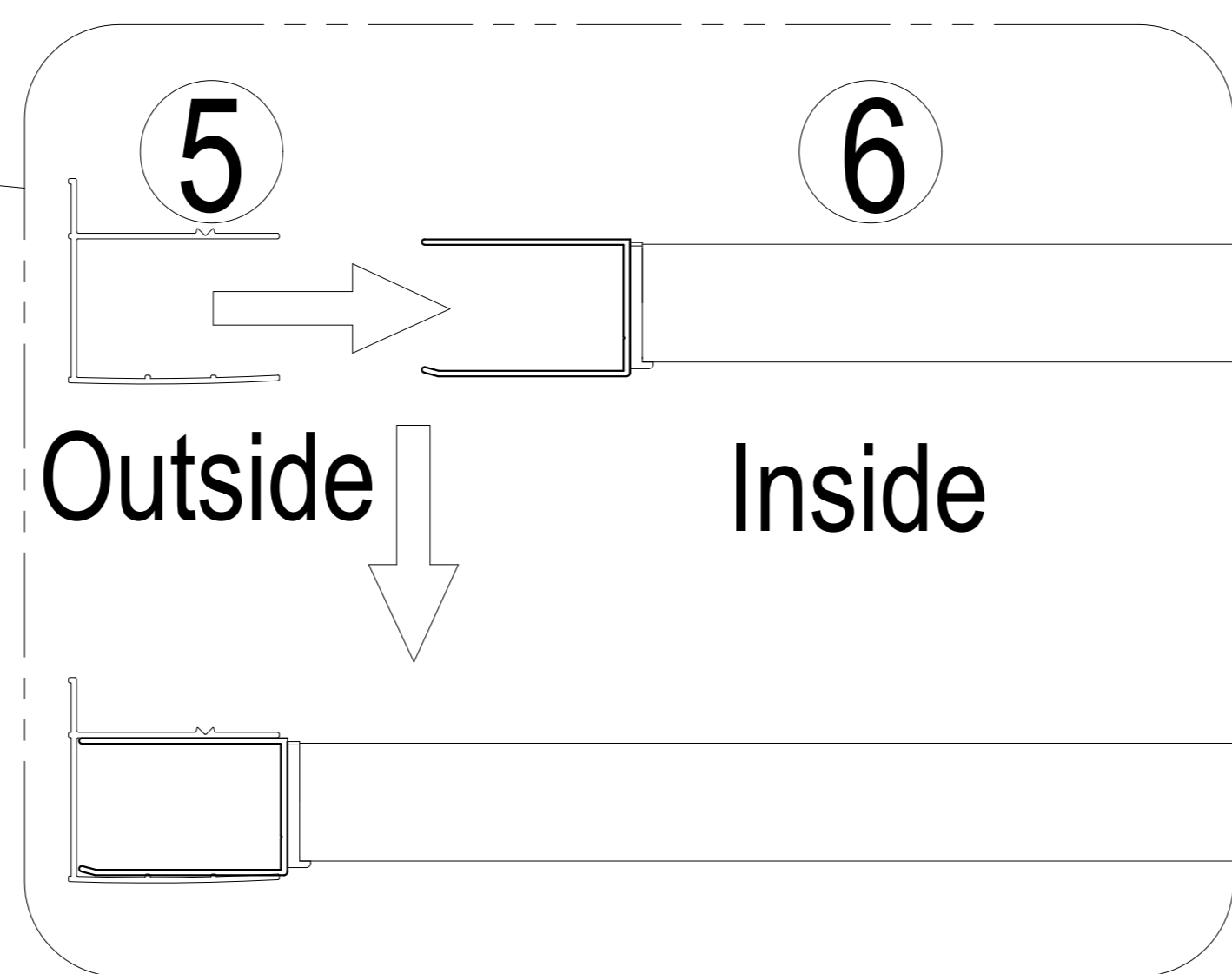
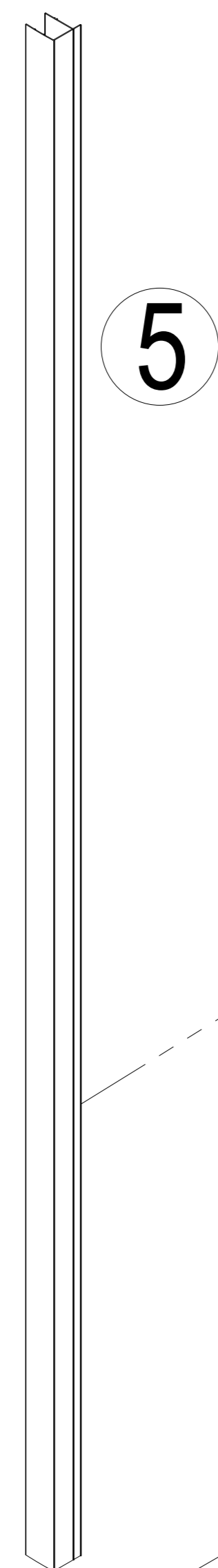
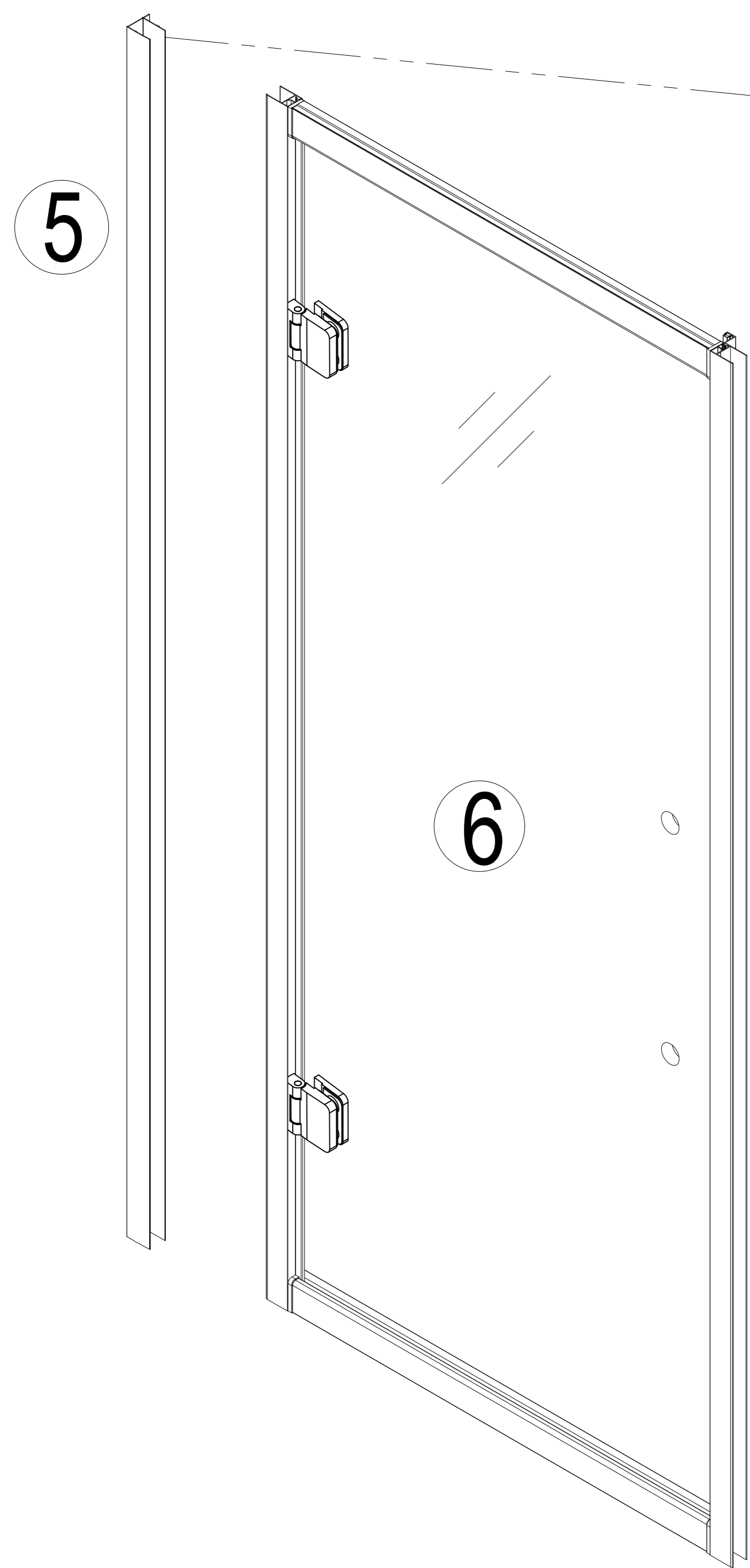
1



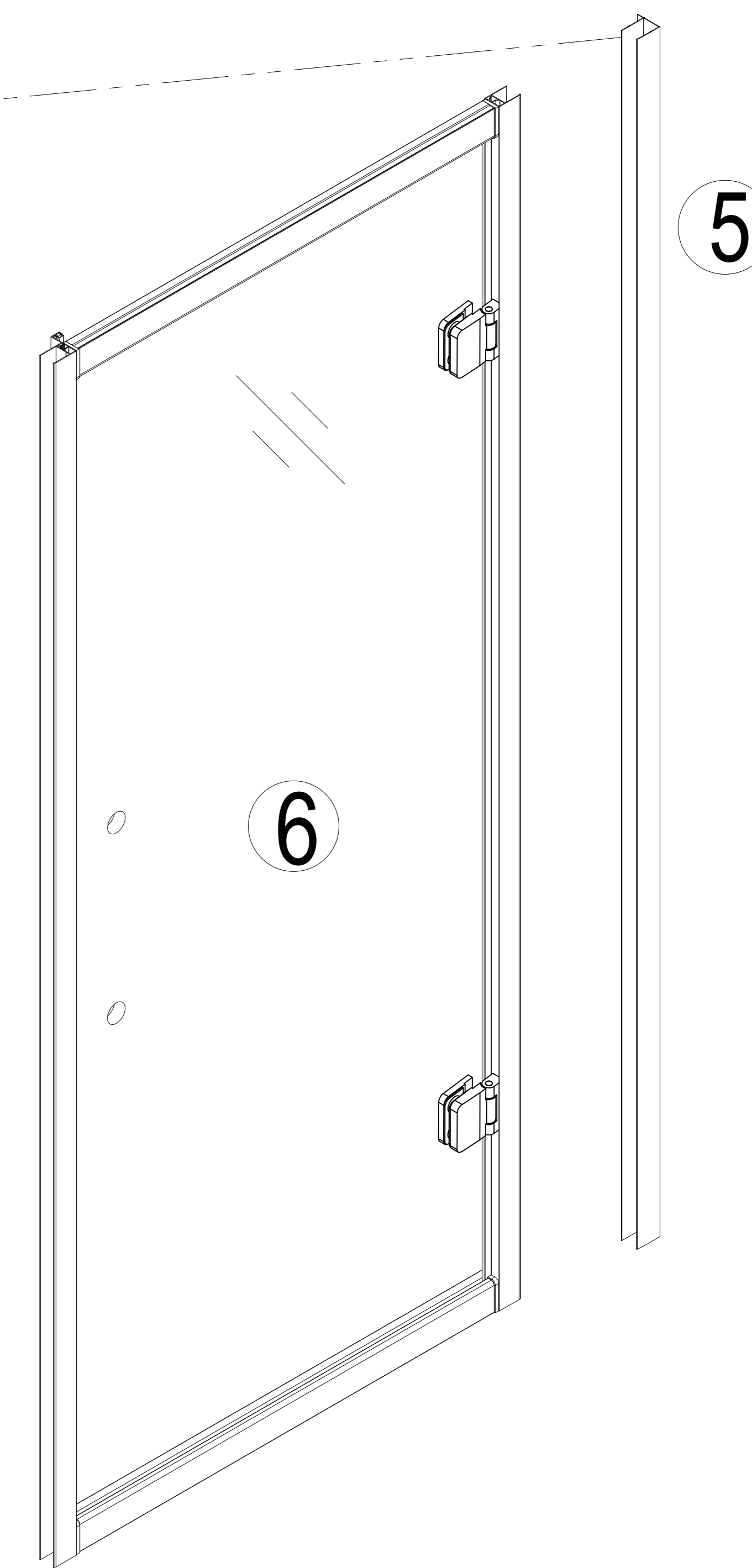
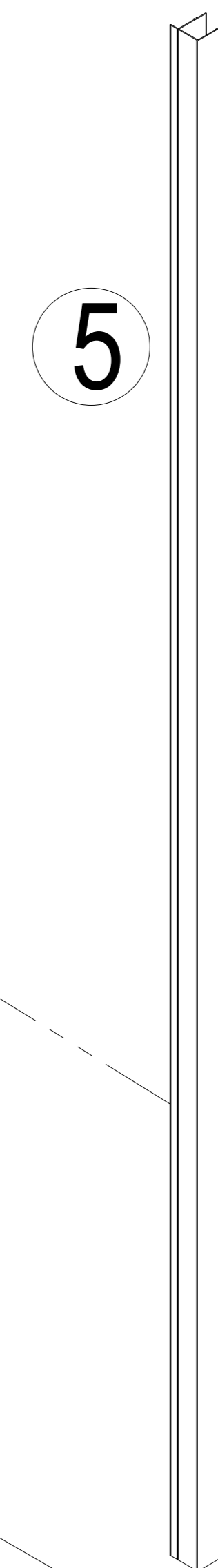
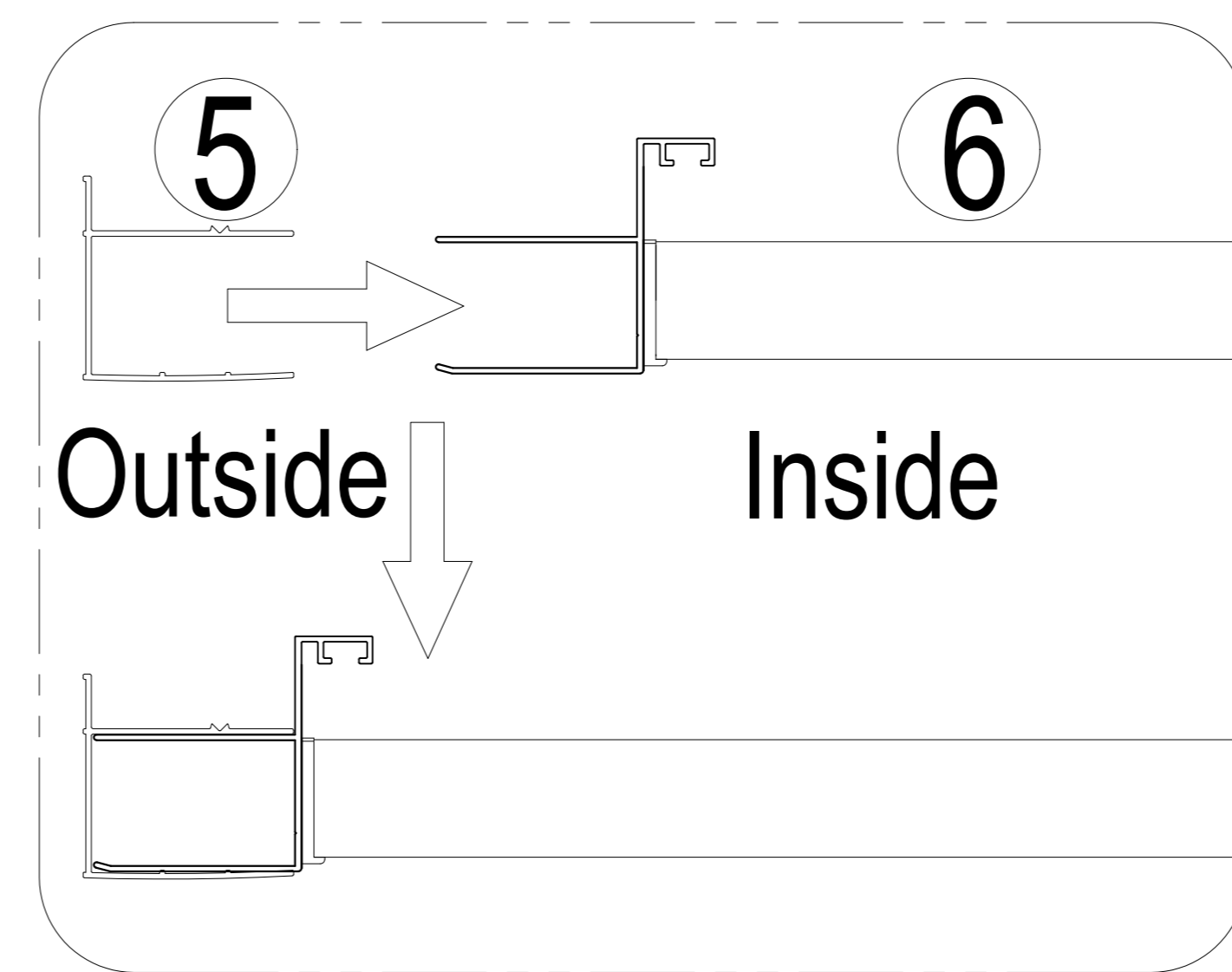
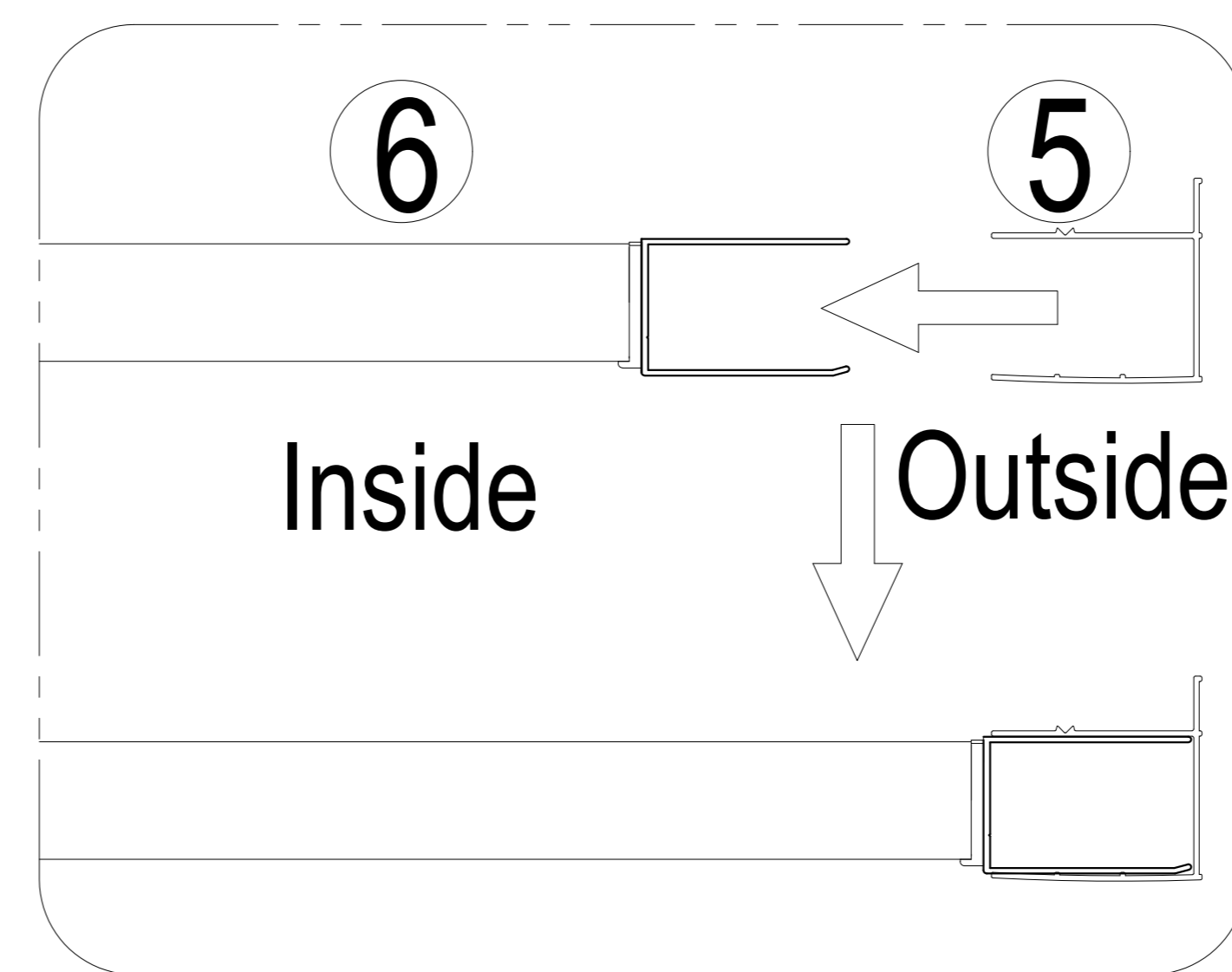
1



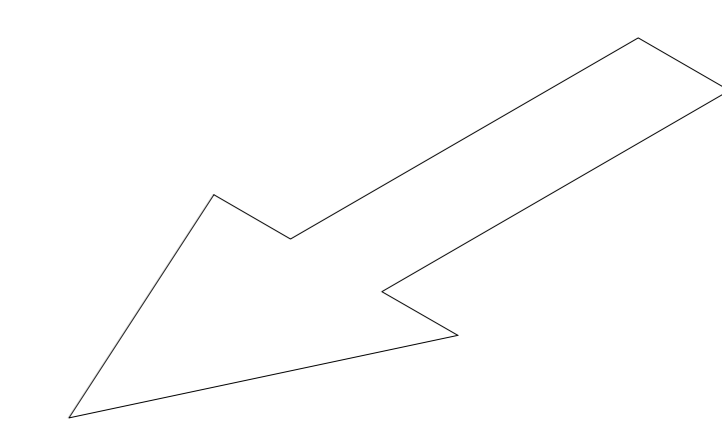
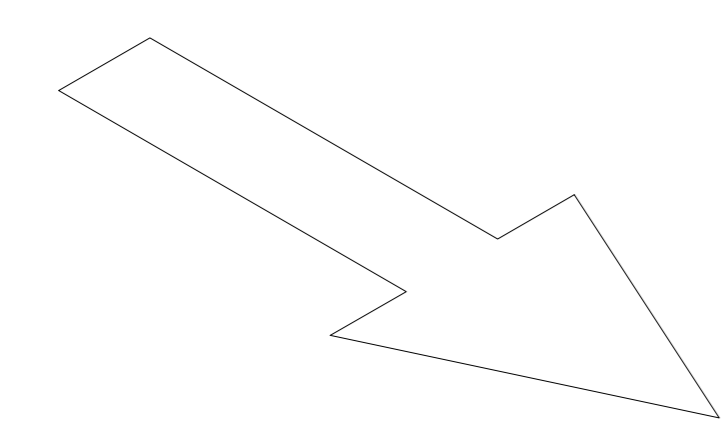
2



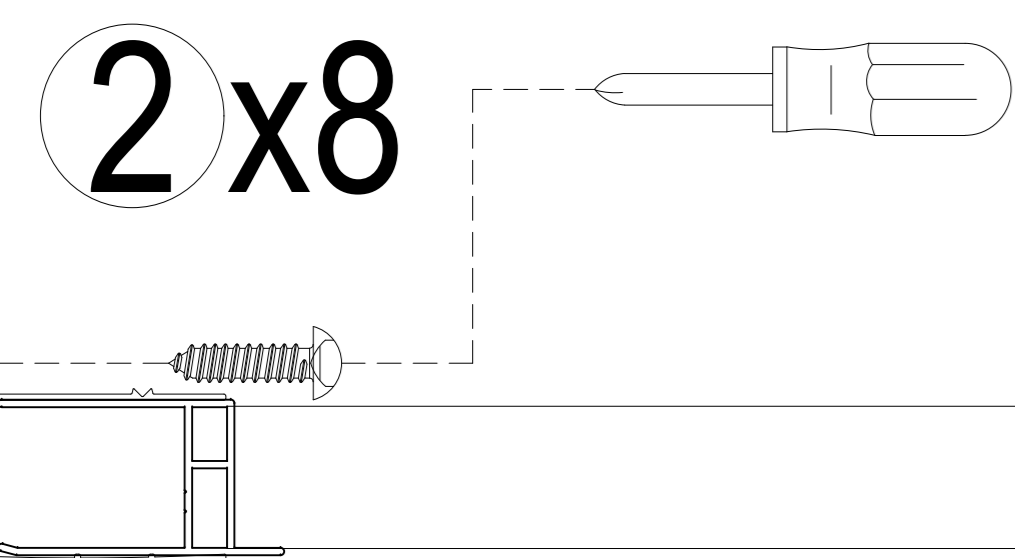
2



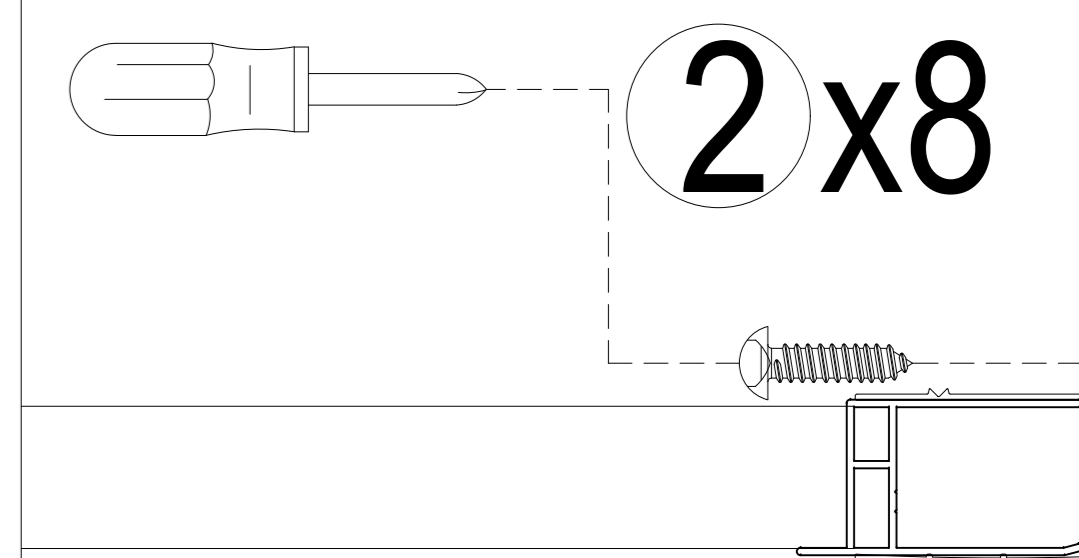
5



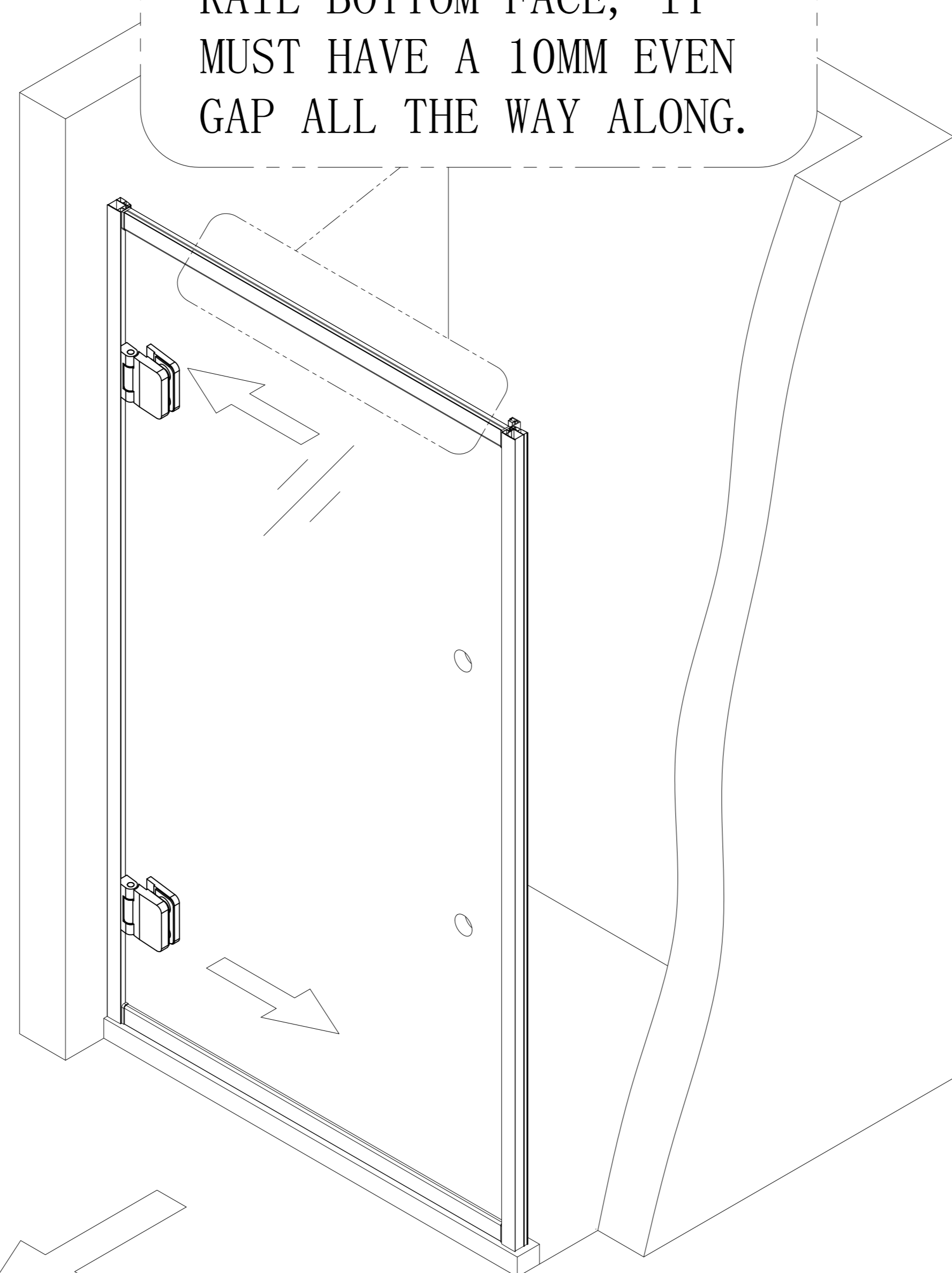
2-1



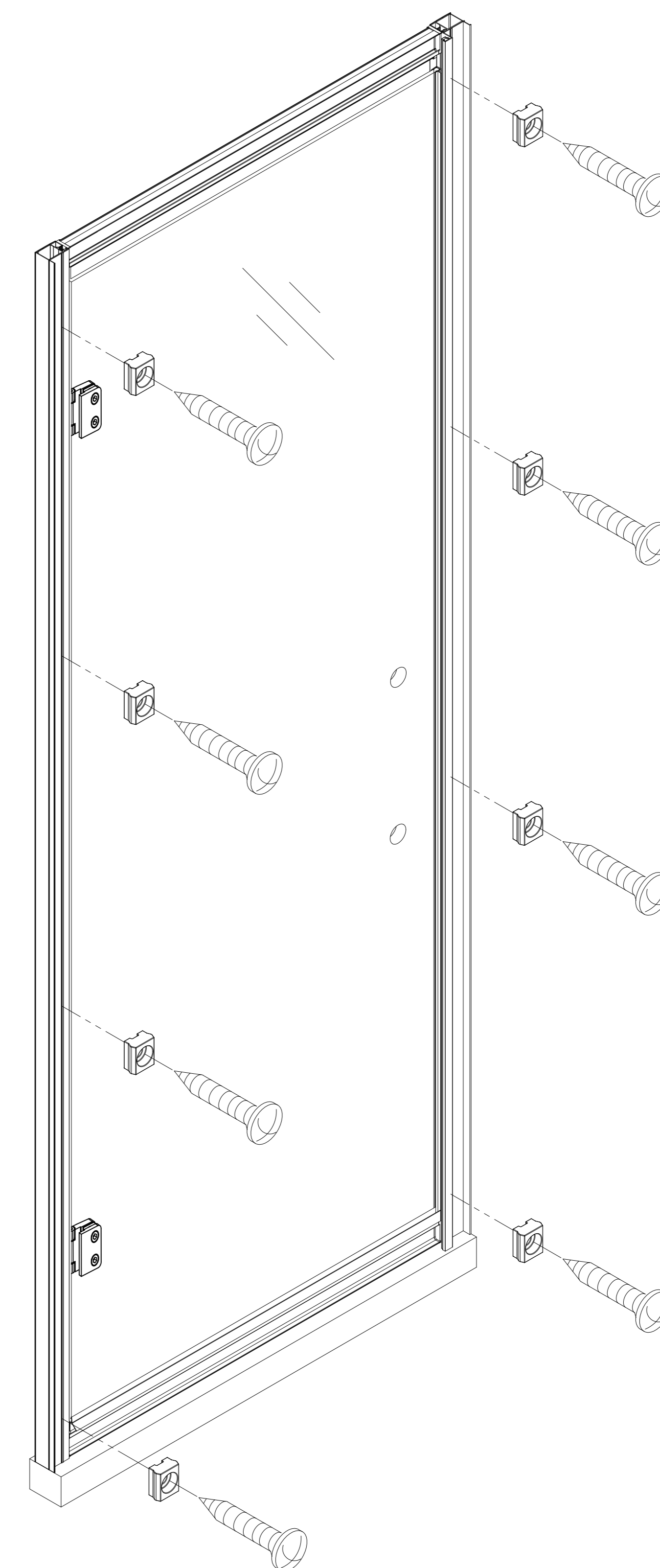
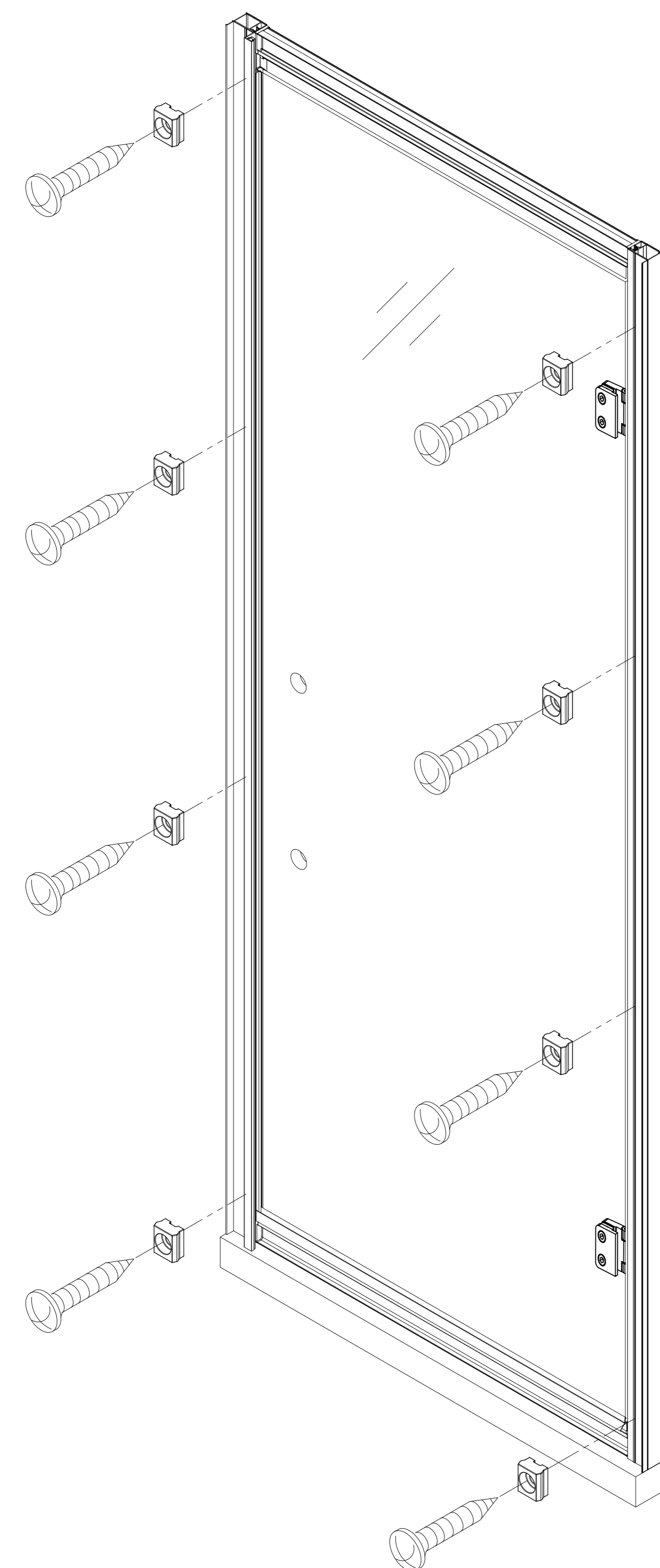
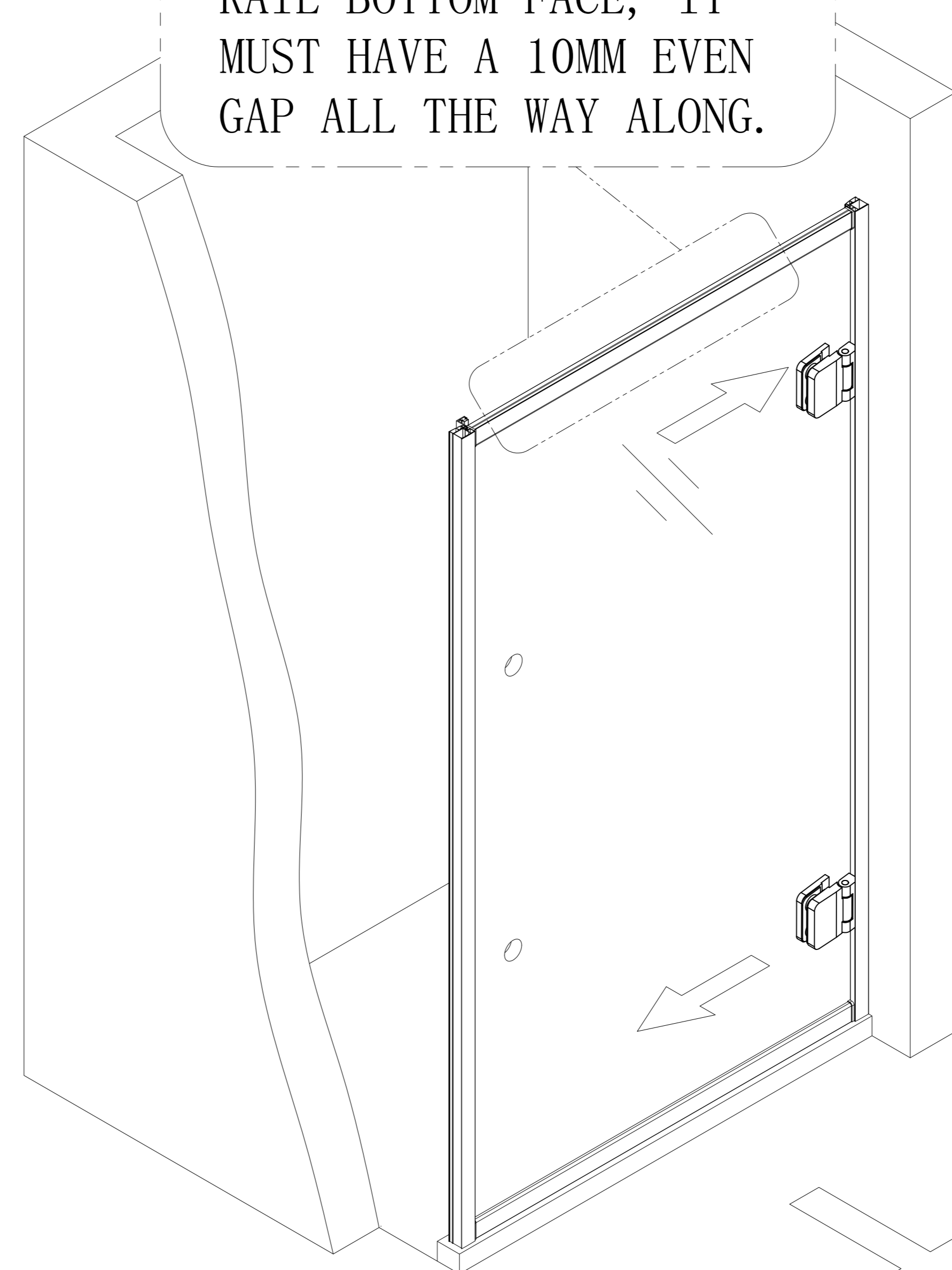
2-1



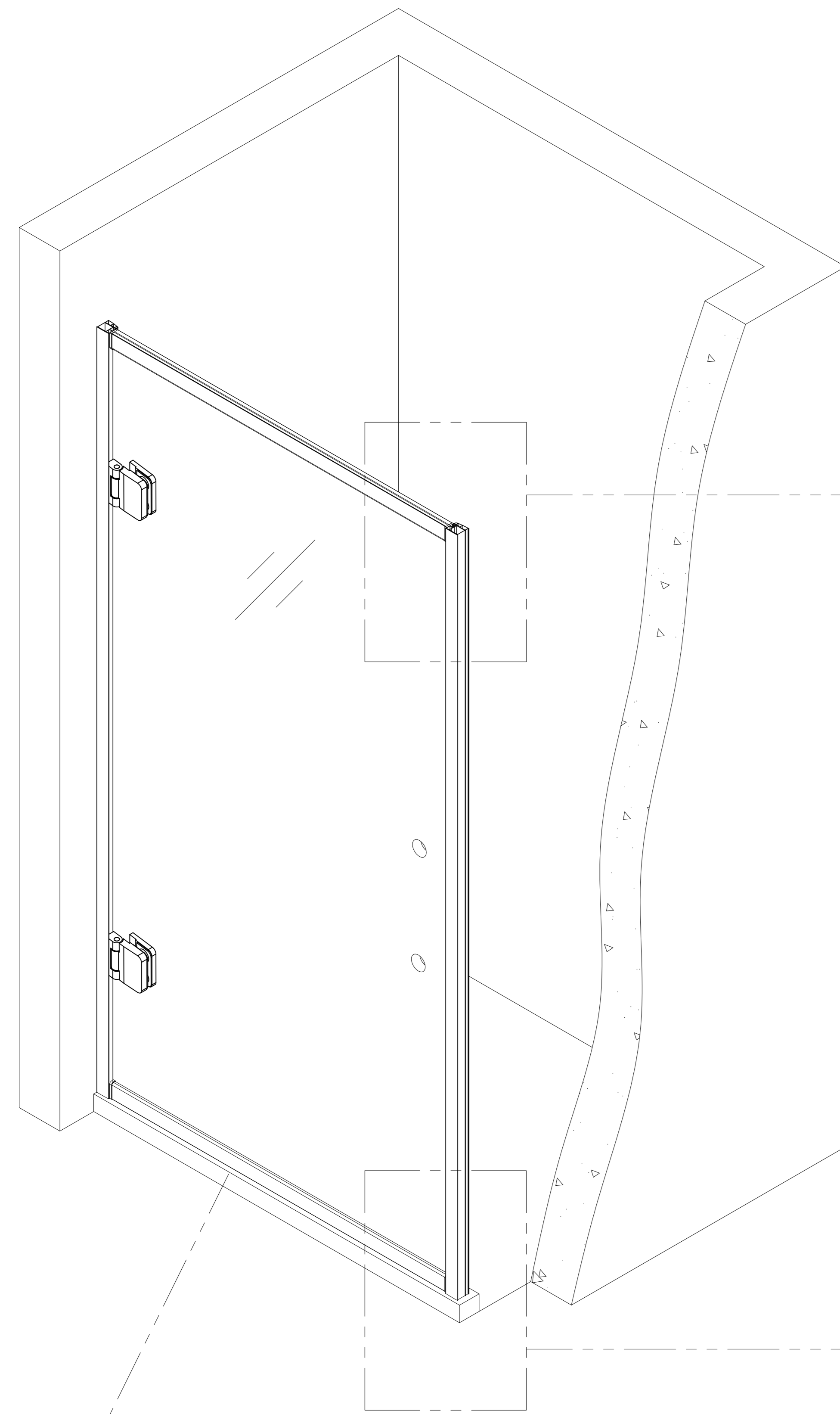
IT IS VERY IMPORTANT TO HAVE THE TOP OF THE GLASS PARALLEL TO THE RAIL BOTTOM FACE, IT MUST HAVE A 10MM EVEN GAP ALL THE WAY ALONG.



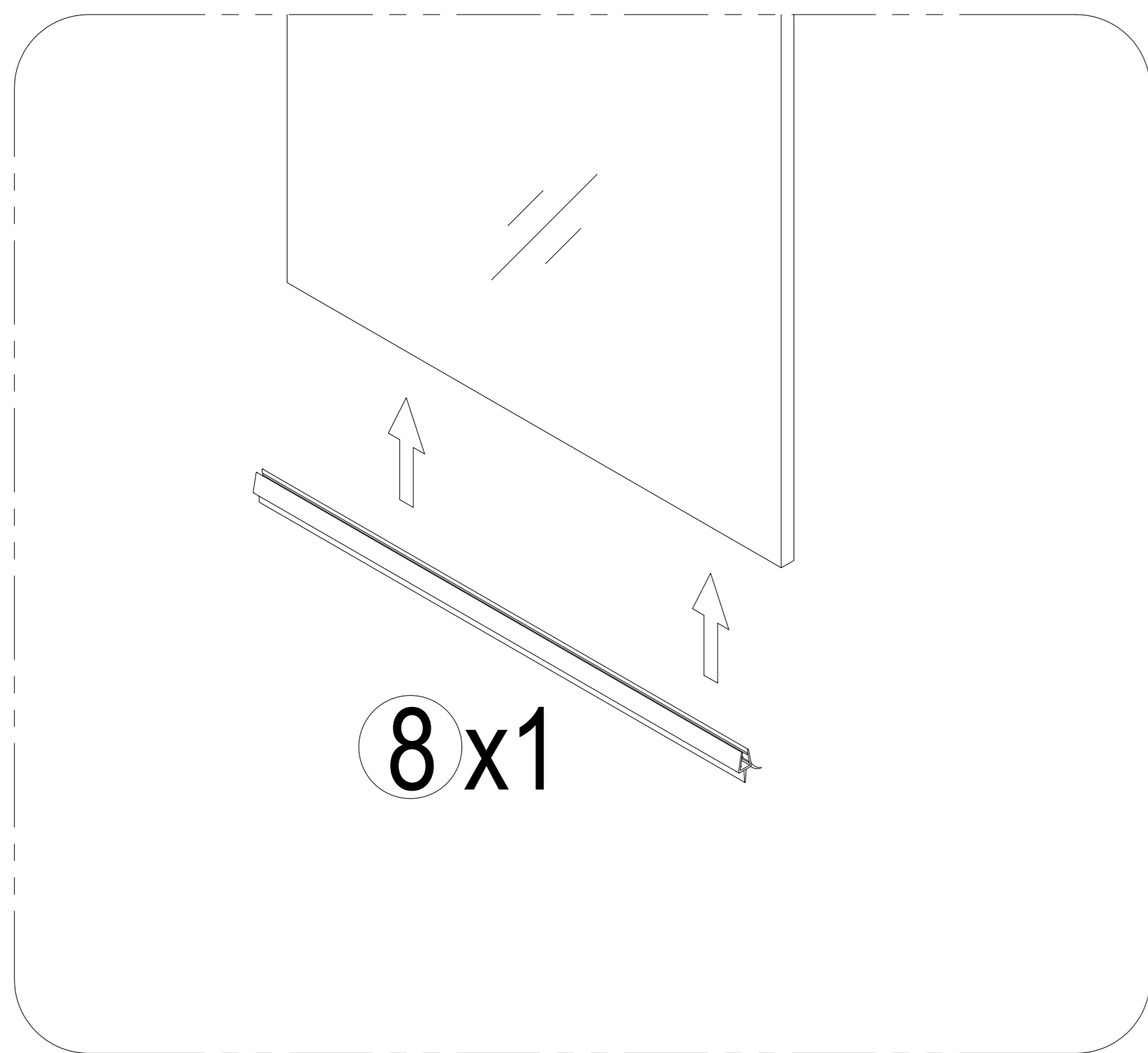
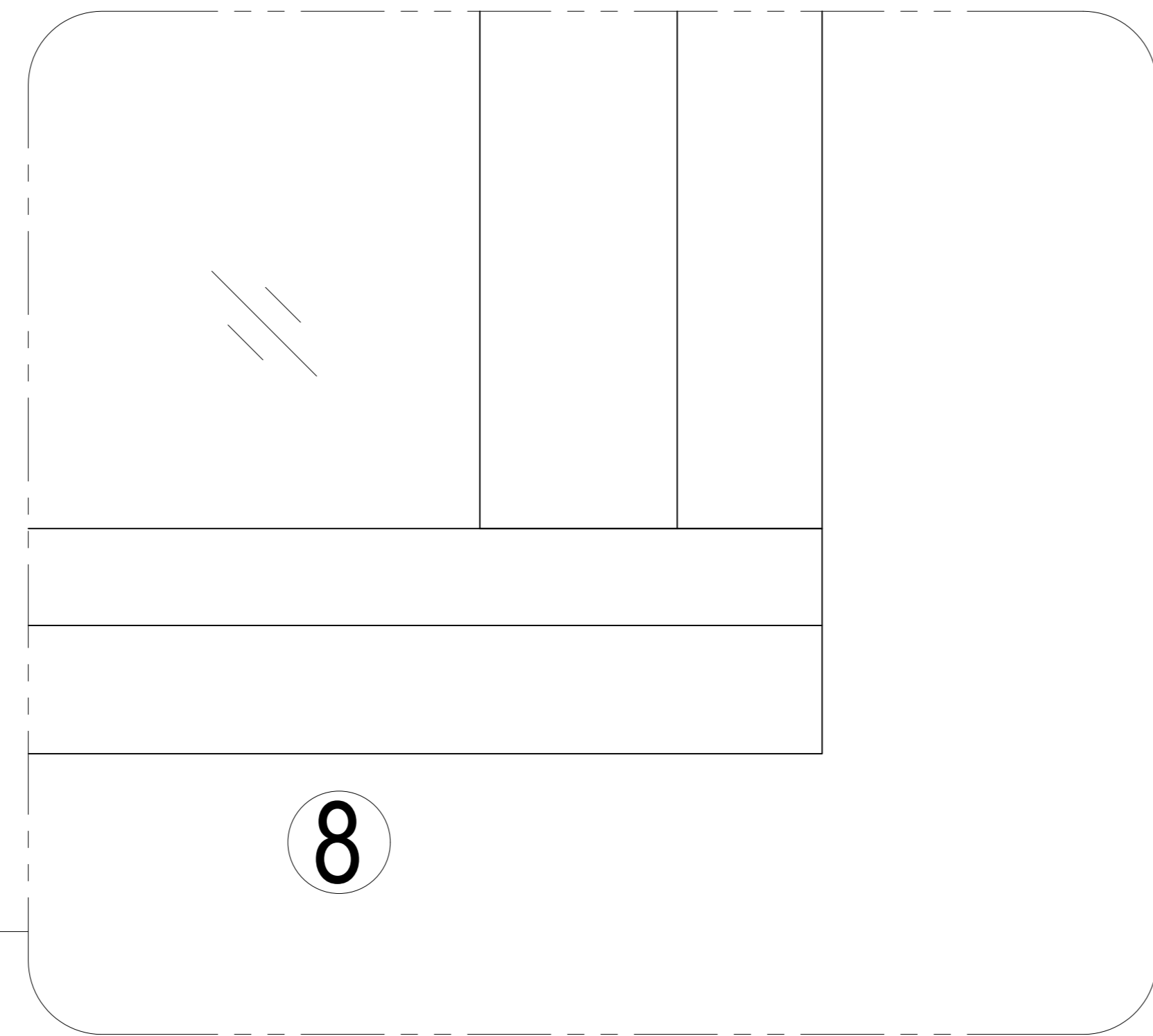
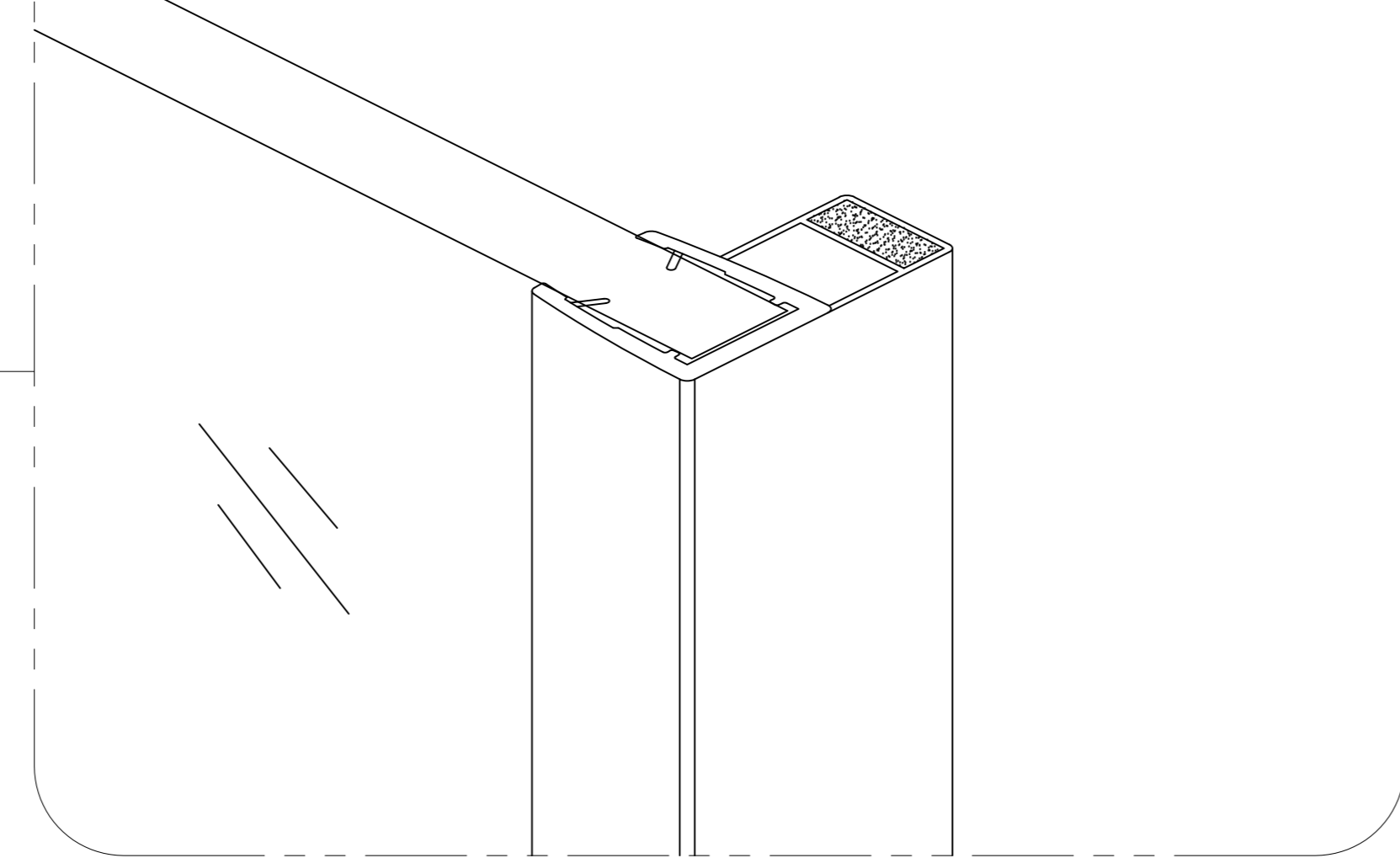
IT IS VERY IMPORTANT TO HAVE THE TOP OF THE GLASS PARALLEL TO THE RAIL BOTTOM FACE, IT MUST HAVE A 10MM EVEN GAP ALL THE WAY ALONG.



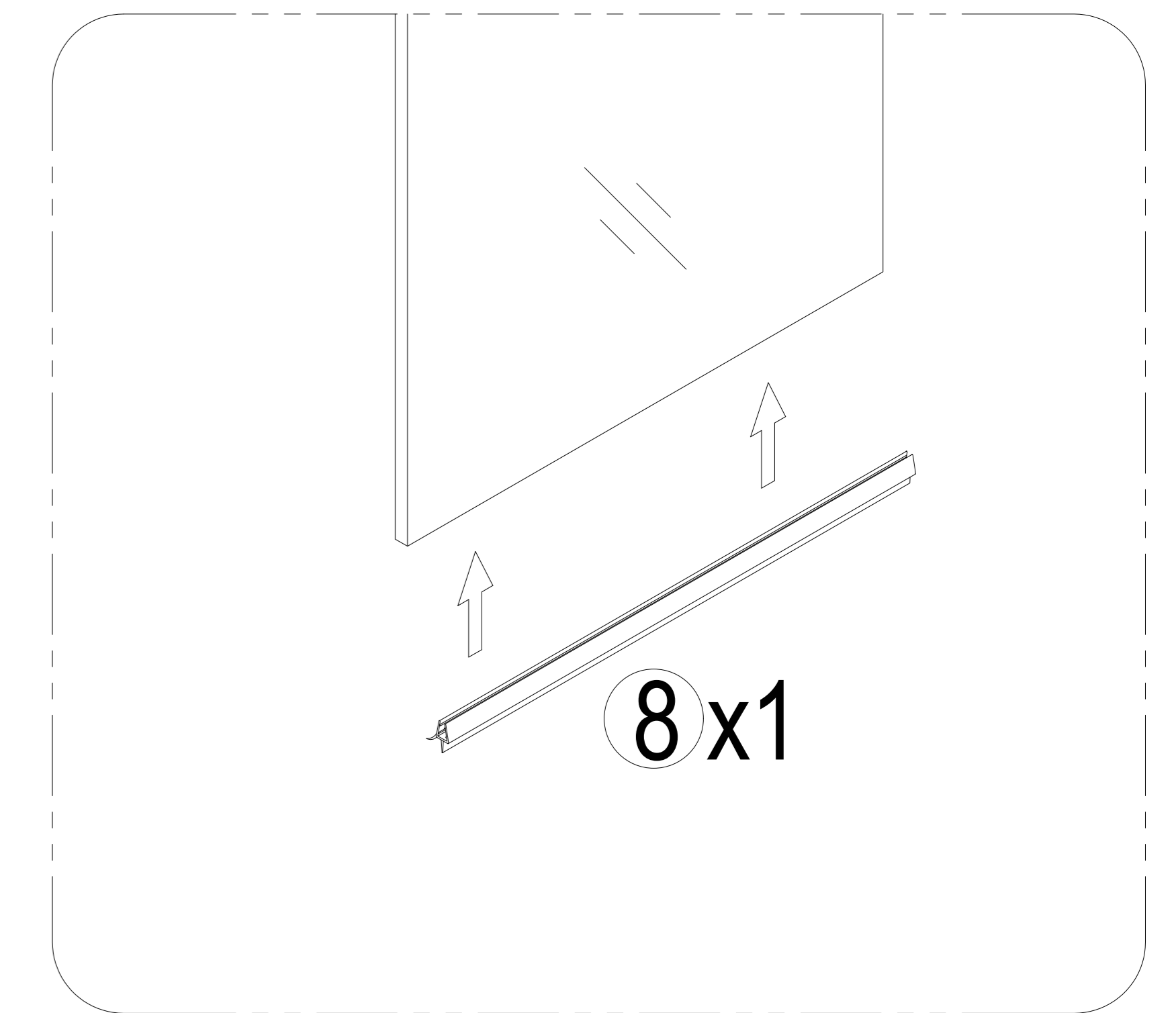
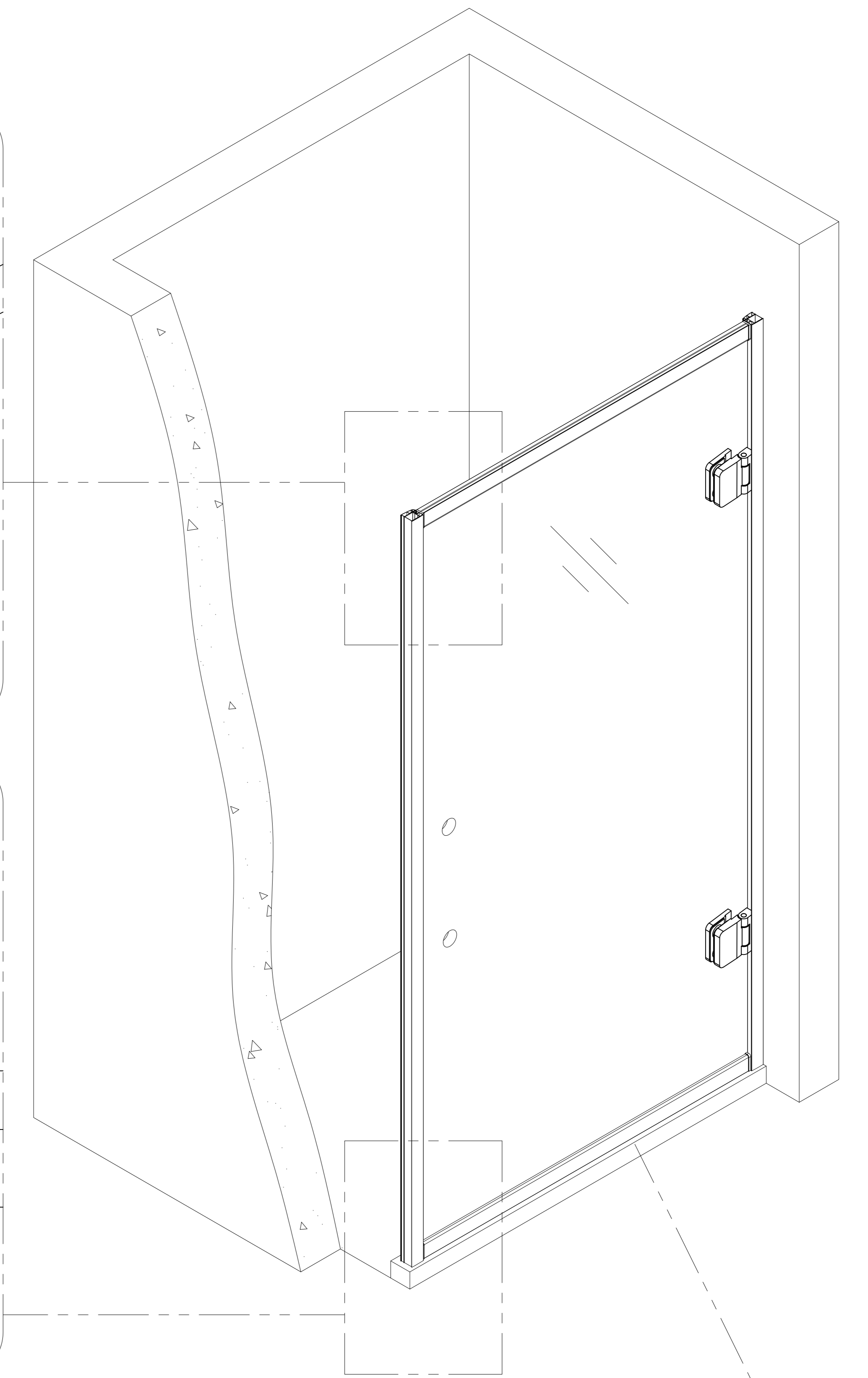
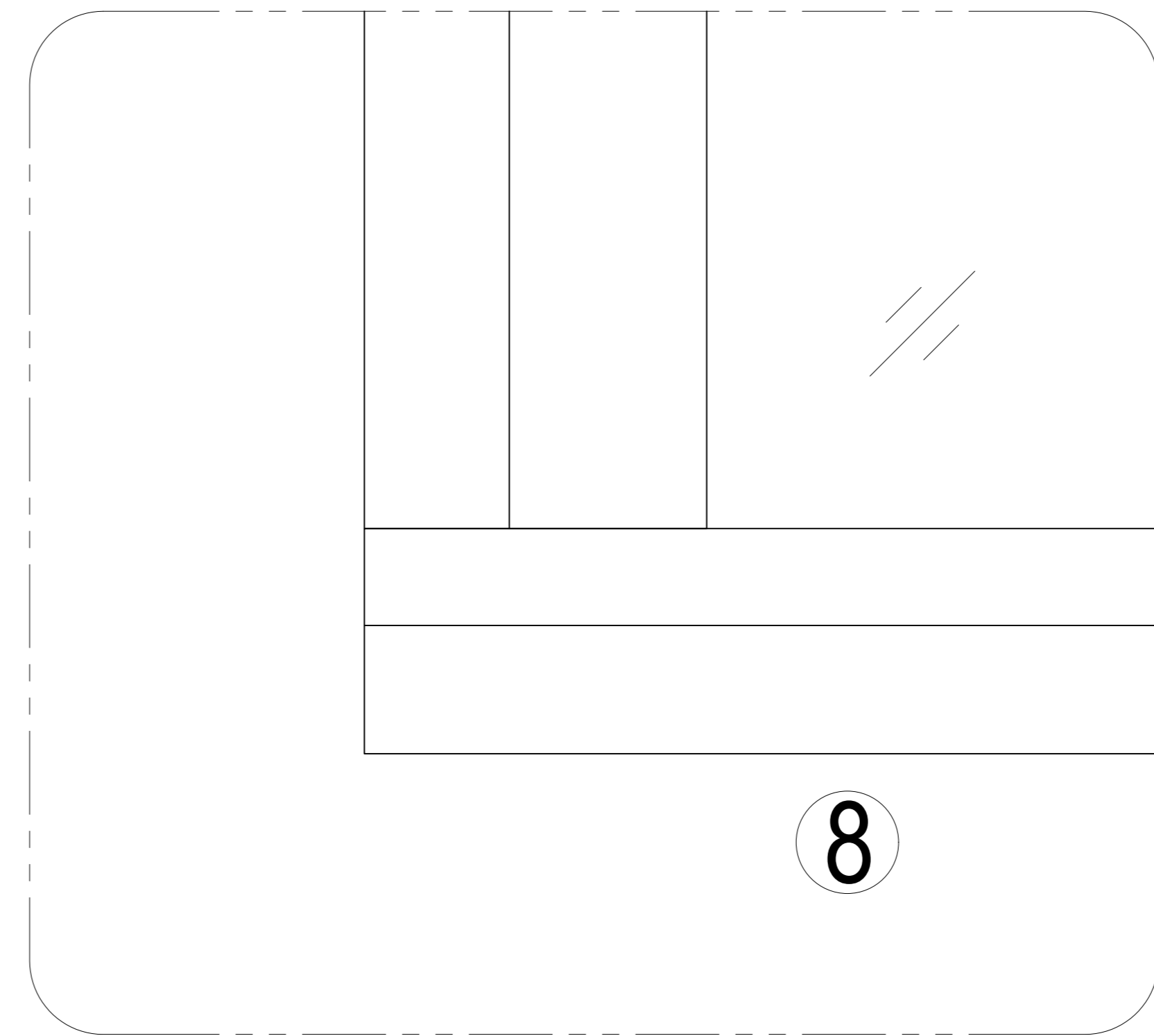
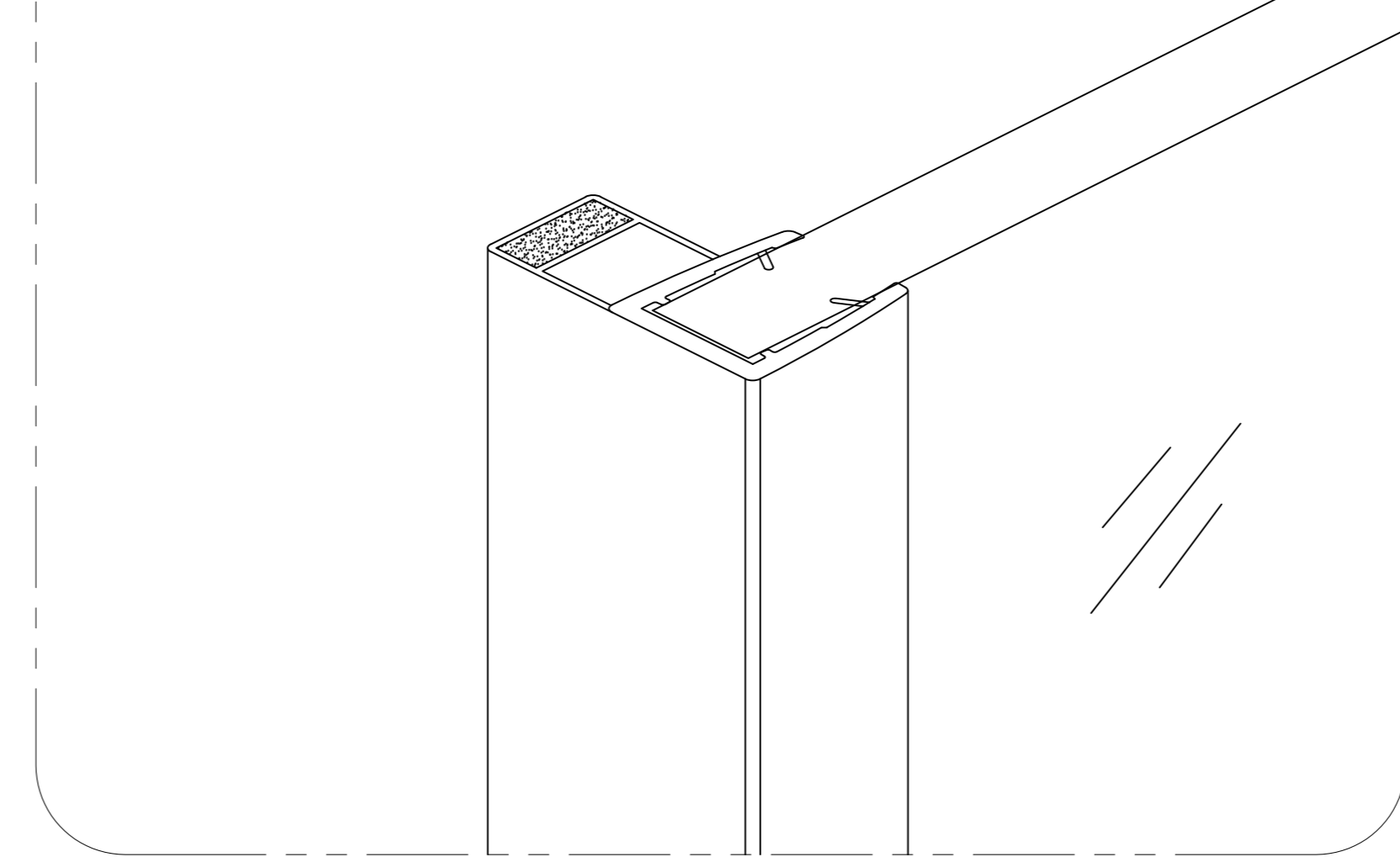
<p>3-1</p> <p>Ø3.2mm 0-20mm</p>	<p>Ø3.2mm 0-20mm</p>
<p>3-2</p> <p>3 x 8 4 x 8</p>	<p>3 x 8 4 x 8</p>
<p>3-3</p> <p>9 x 2</p>	<p>9 x 2</p>
<p>3-4</p>	<p>3-4</p>

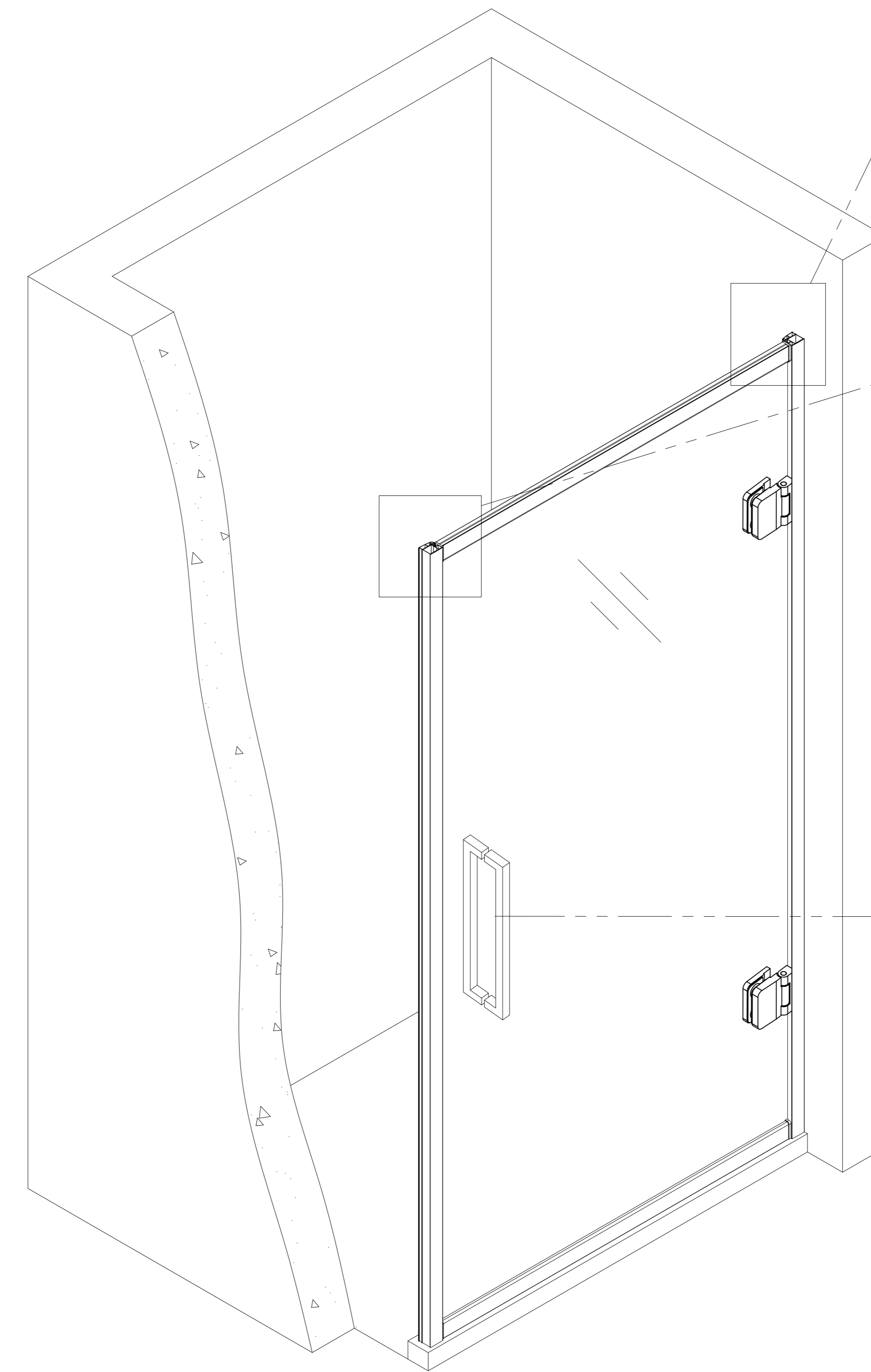
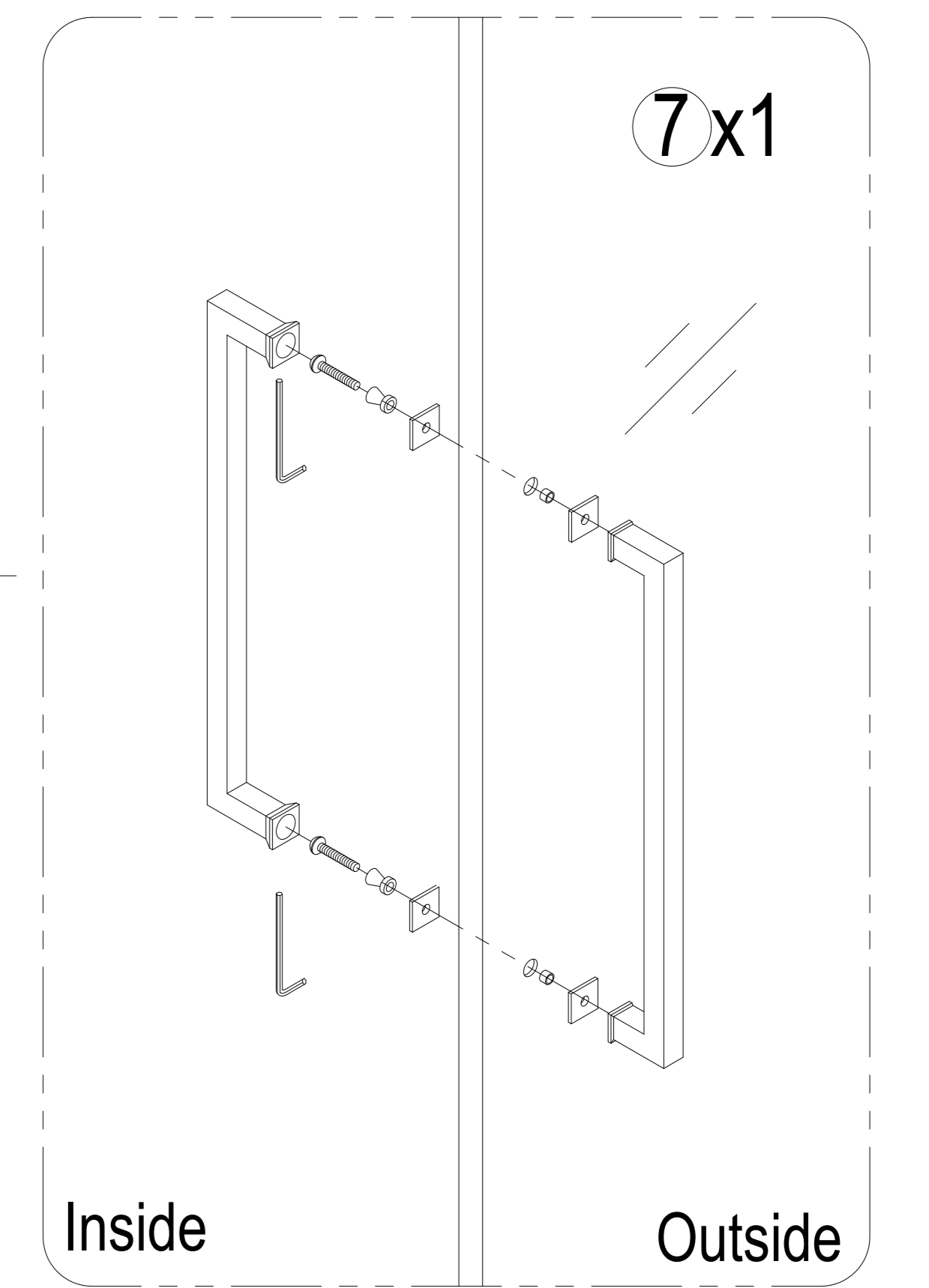
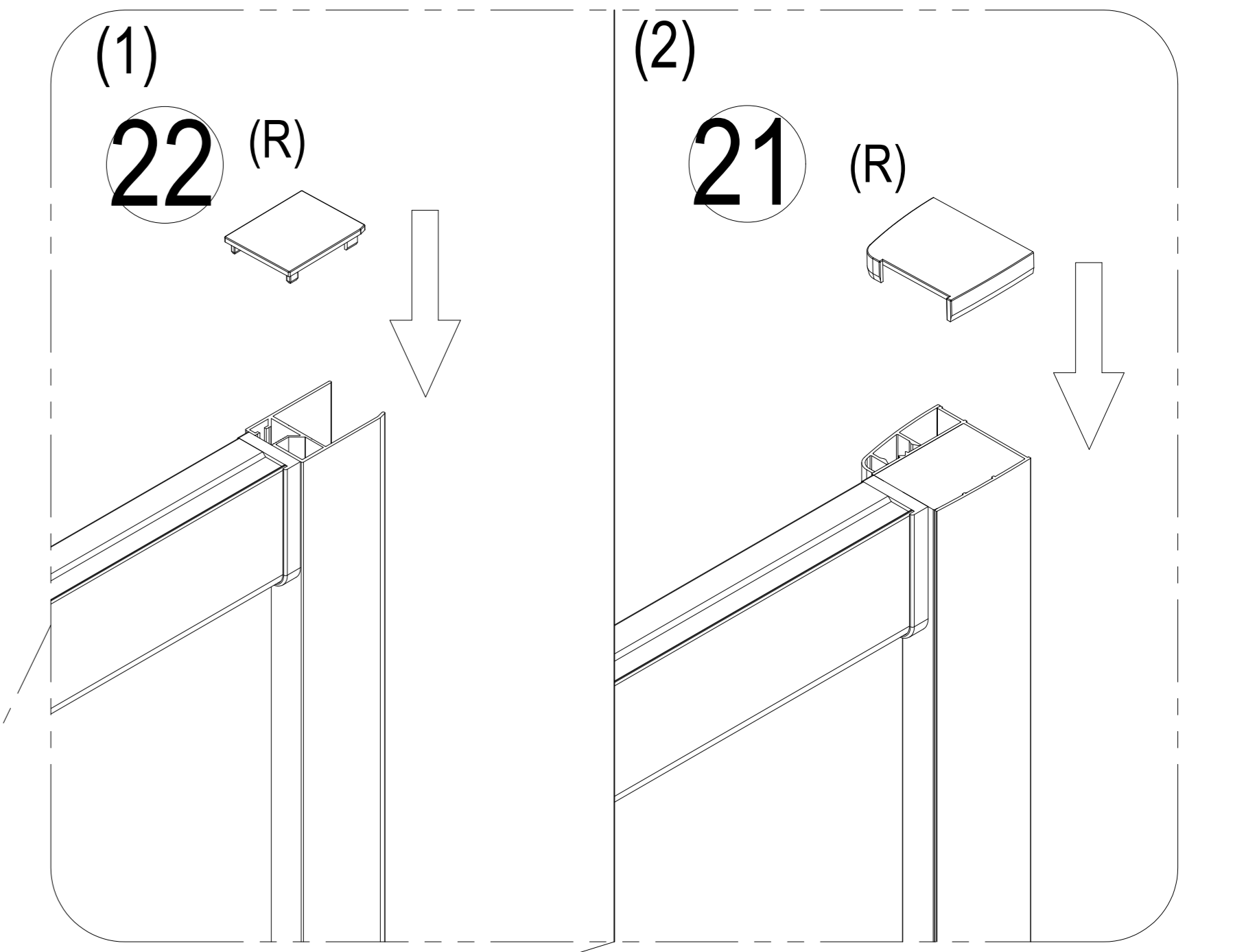
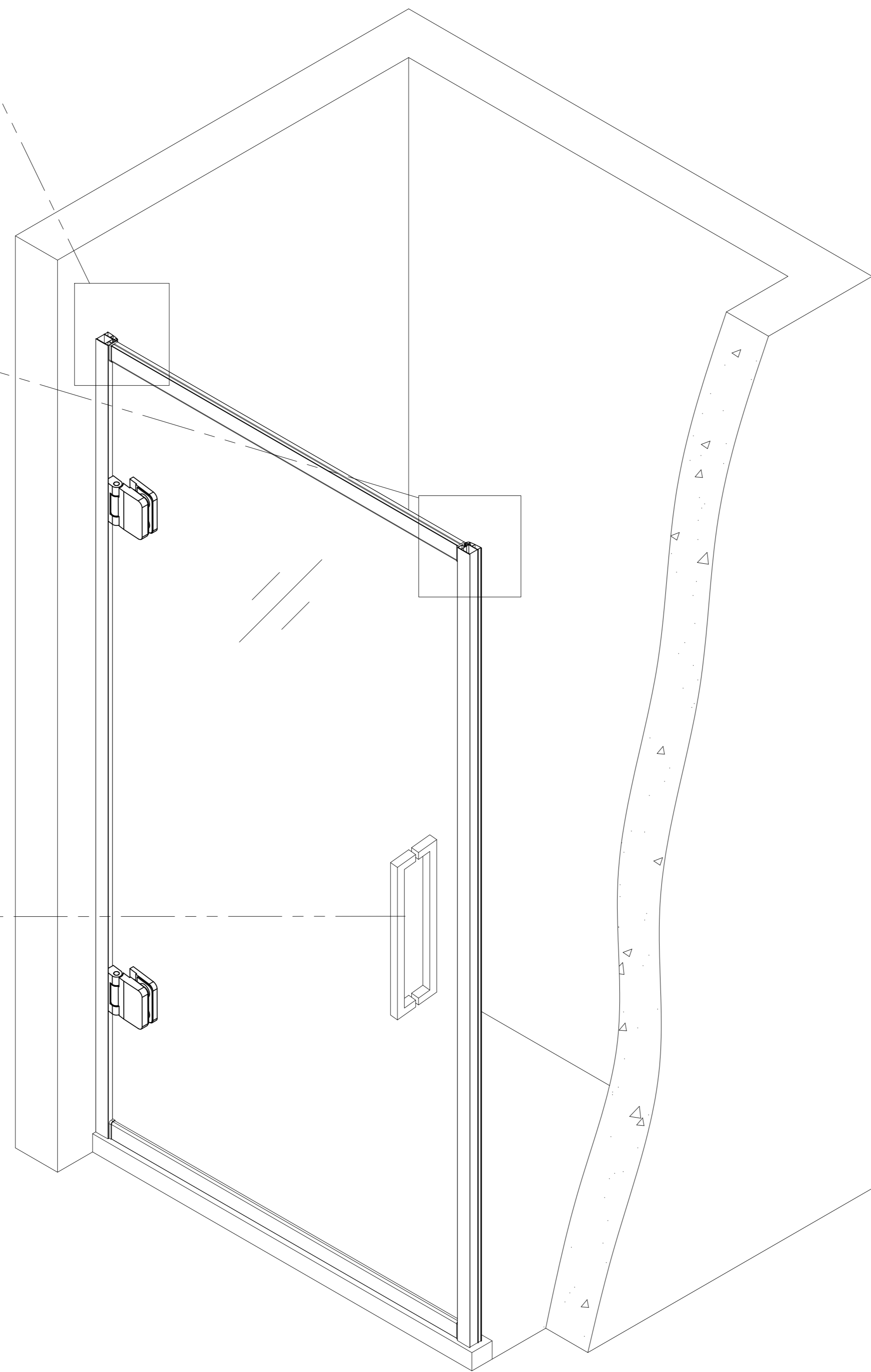
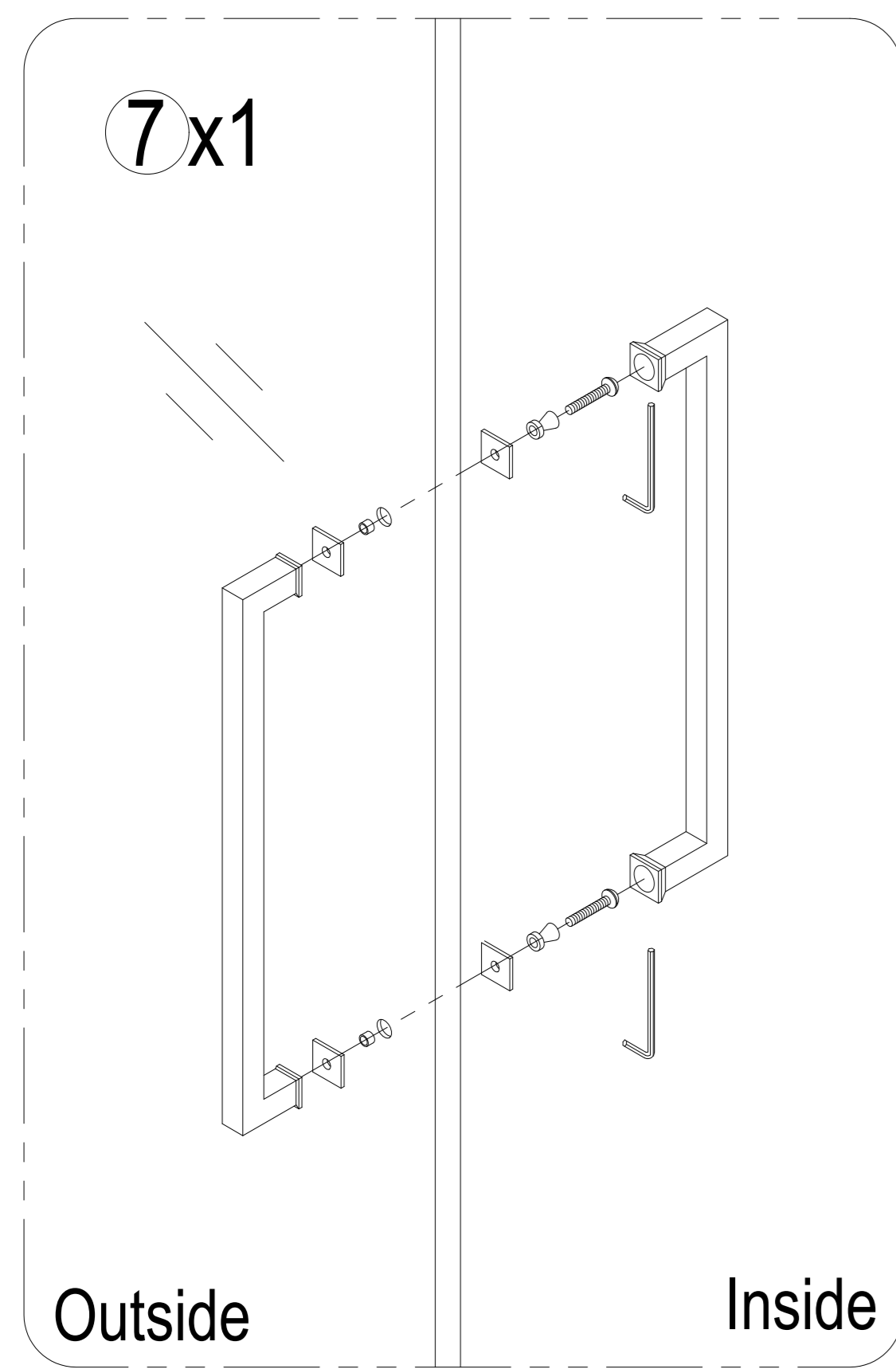
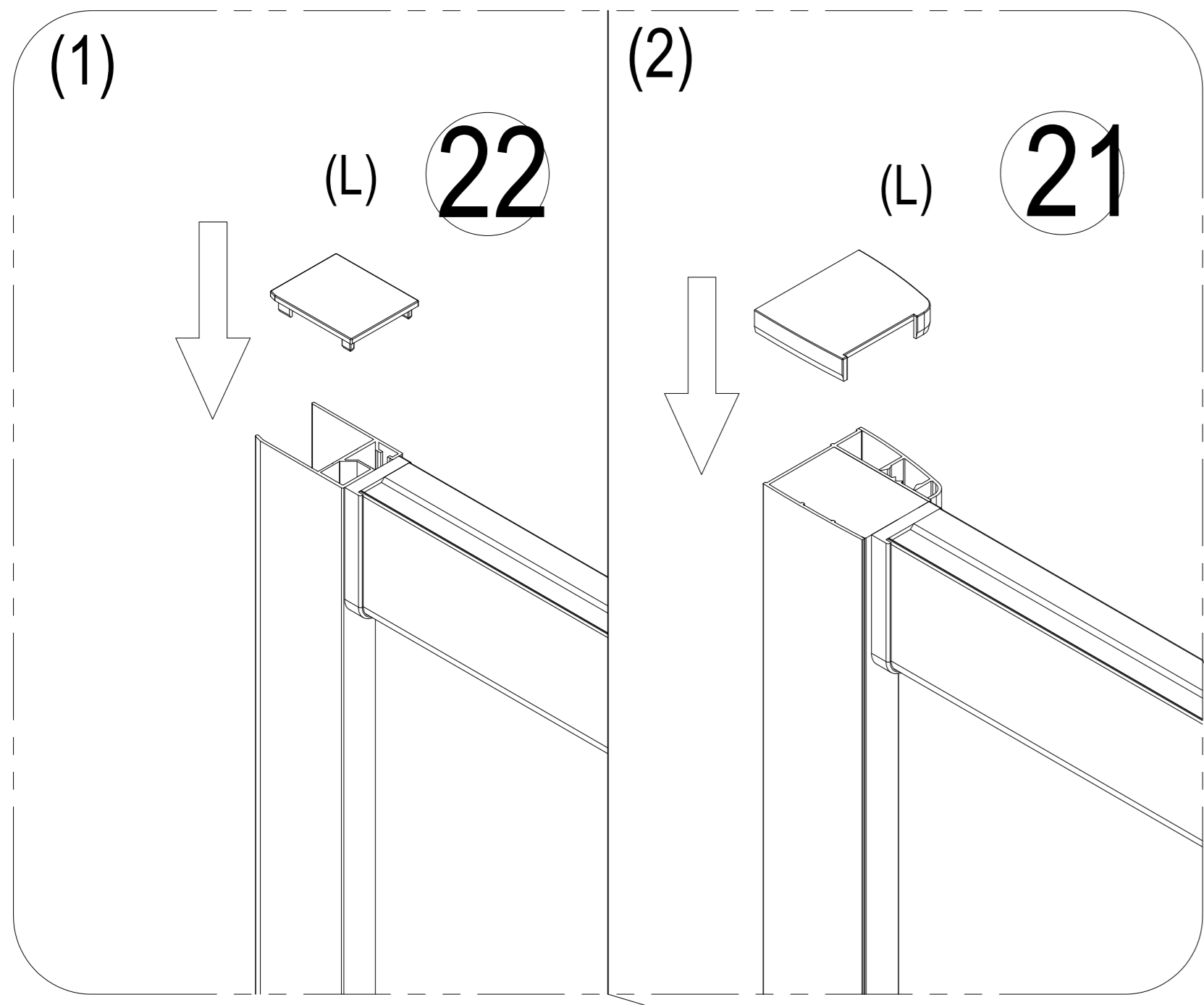


IT IS VERY IMPORTANT TO KEEP THE TOP OF THE MAGNETIC SEAL TO THE SAME HEIGHT OF THE TOP OF THE GLASS.



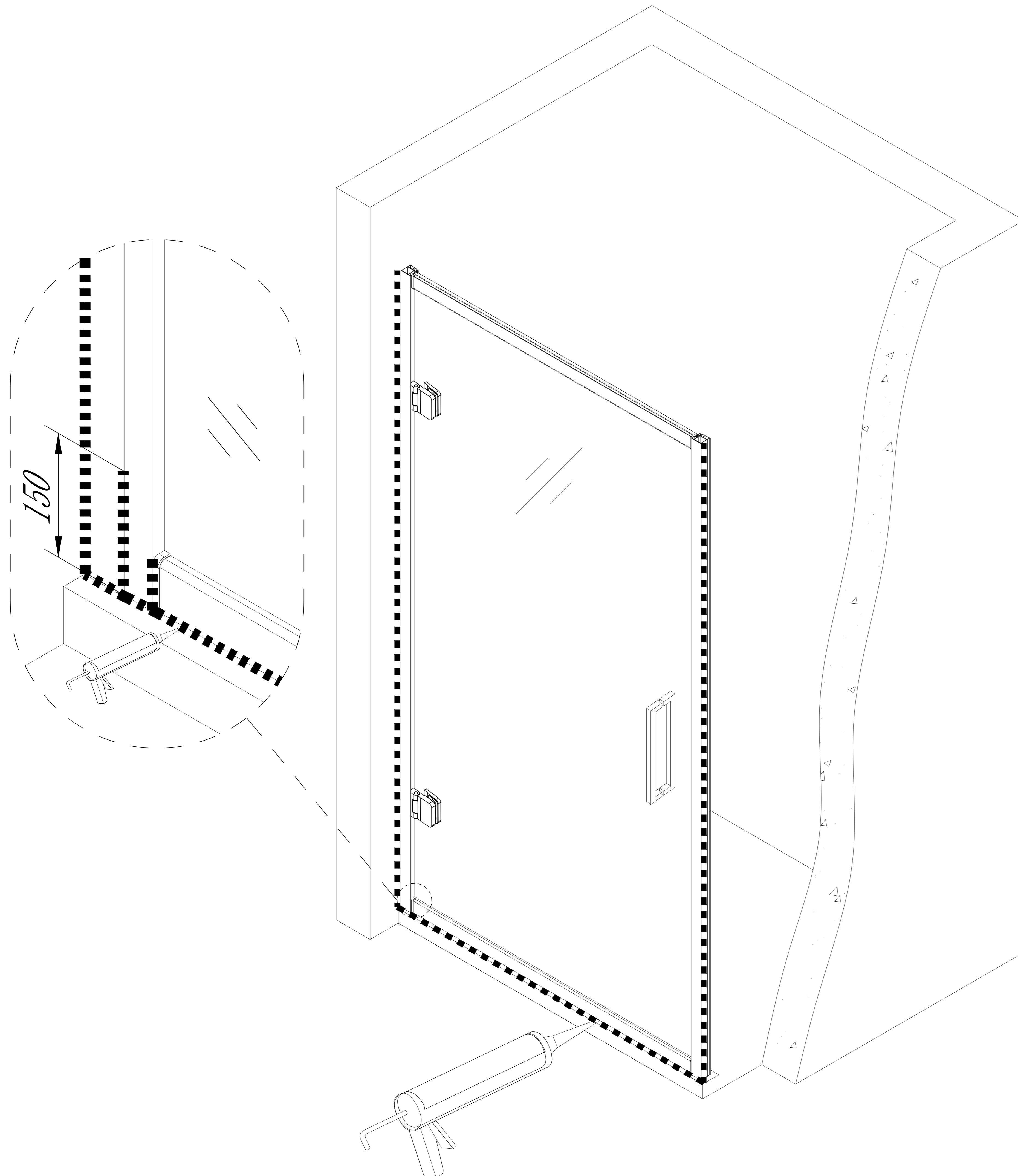
IT IS VERY IMPORTANT TO KEEP THE TOP OF THE MAGNETIC SEAL TO THE SAME HEIGHT OF THE TOP OF THE GLASS.





Care Instructions:

Do not use your shower enclosure within 24 hours of assembly .
Do not use caustic cleaning products or abrasive material when cleaning your shower enclosure.



Care Instructions:

Do not use your shower enclosure within 24 hours of assembly .
Do not use caustic cleaning products or abrasive material when cleaning your shower enclosure.

