

49.3226A/49.3227A/49.3228A/49.3229A/49.3231A/49.3232A/
49.3233A/49.3234A/49.3235A/49.3236A/49.3204A/49.3205A/
49.3206A/49.3207A/

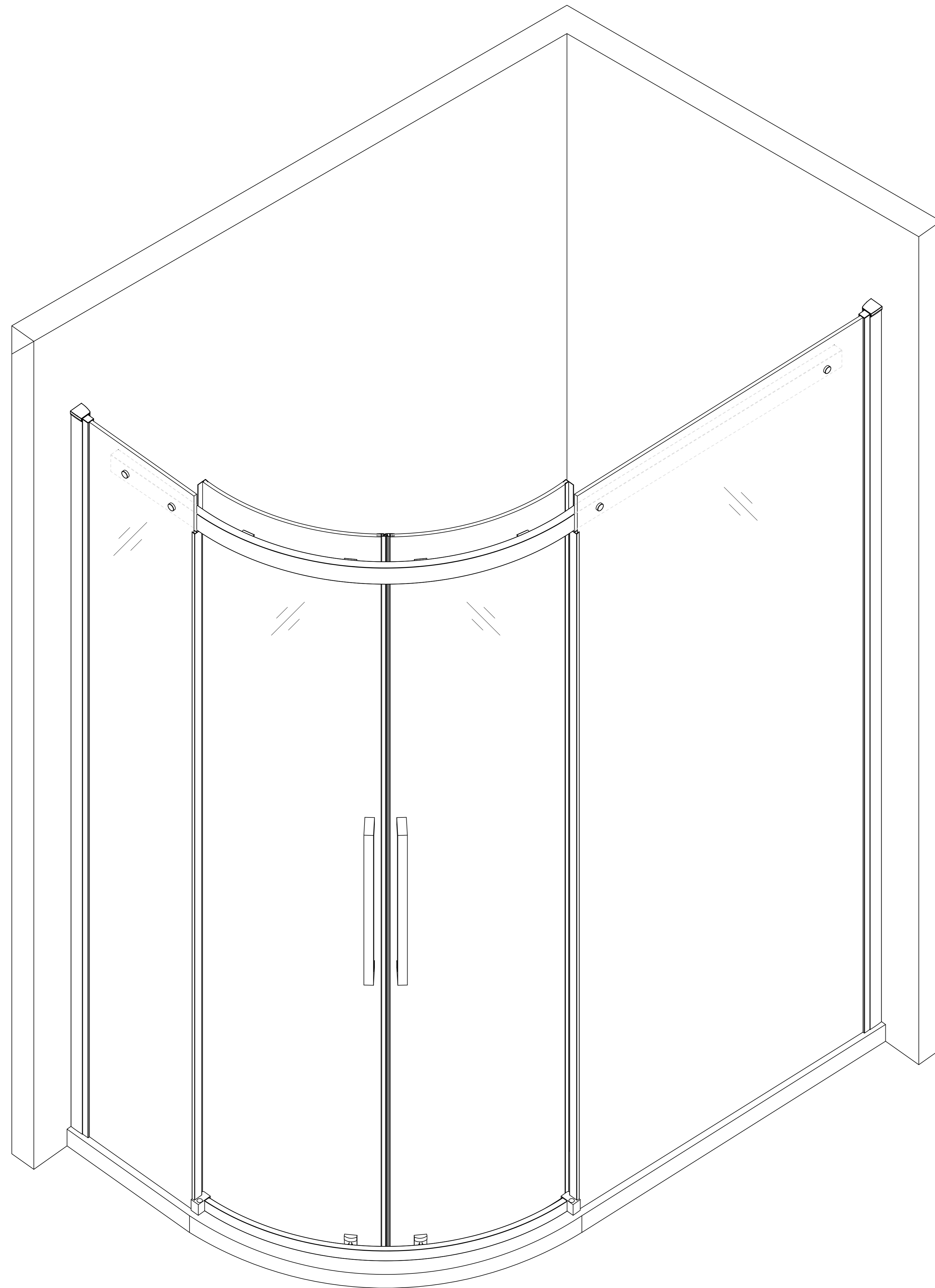
Eastbrook 

Eastbrook Road, Gloucester GL4 3DB

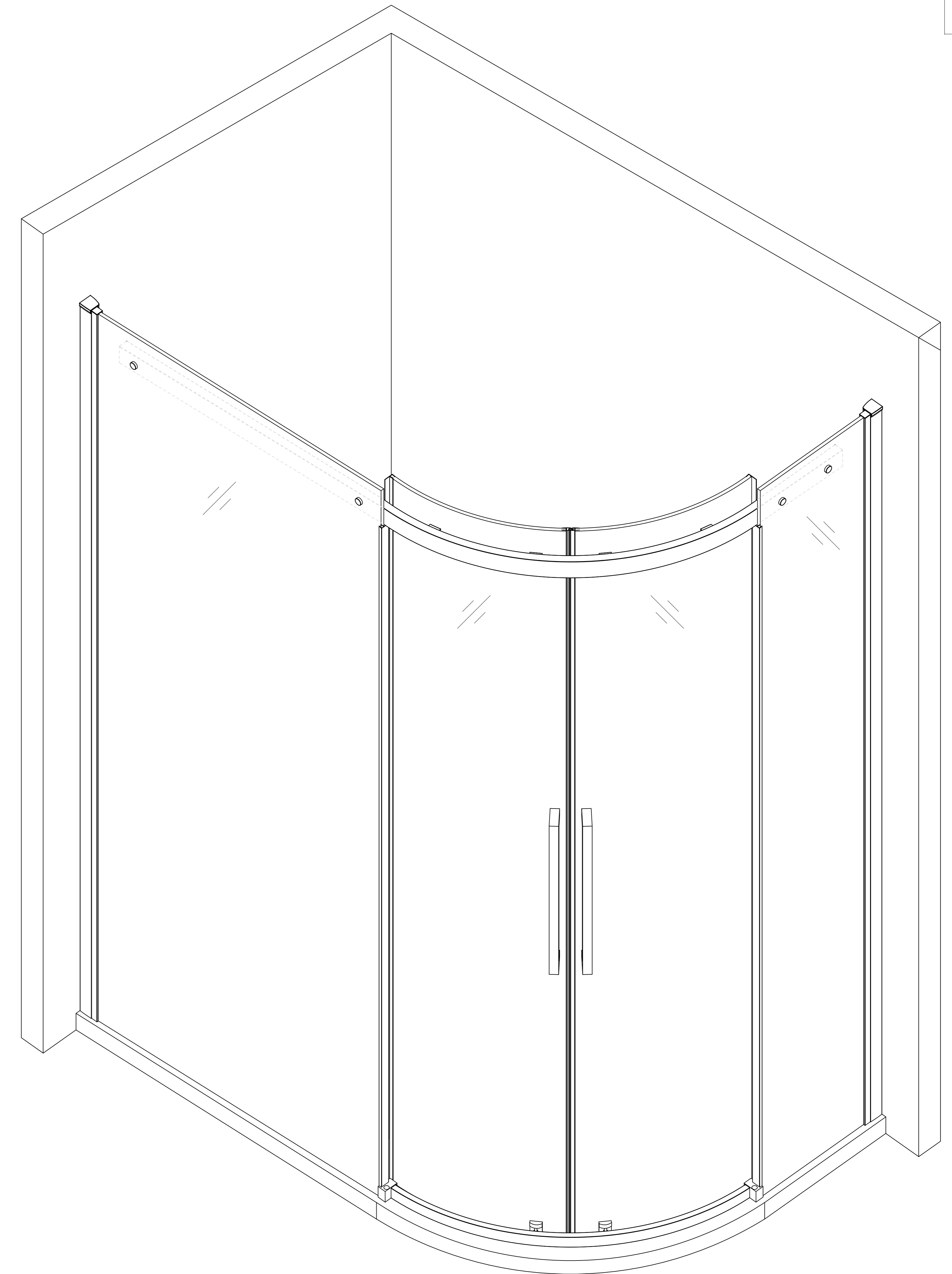
Technical Helpline: 01452 317890

email: technical@eastbrookco.com

L

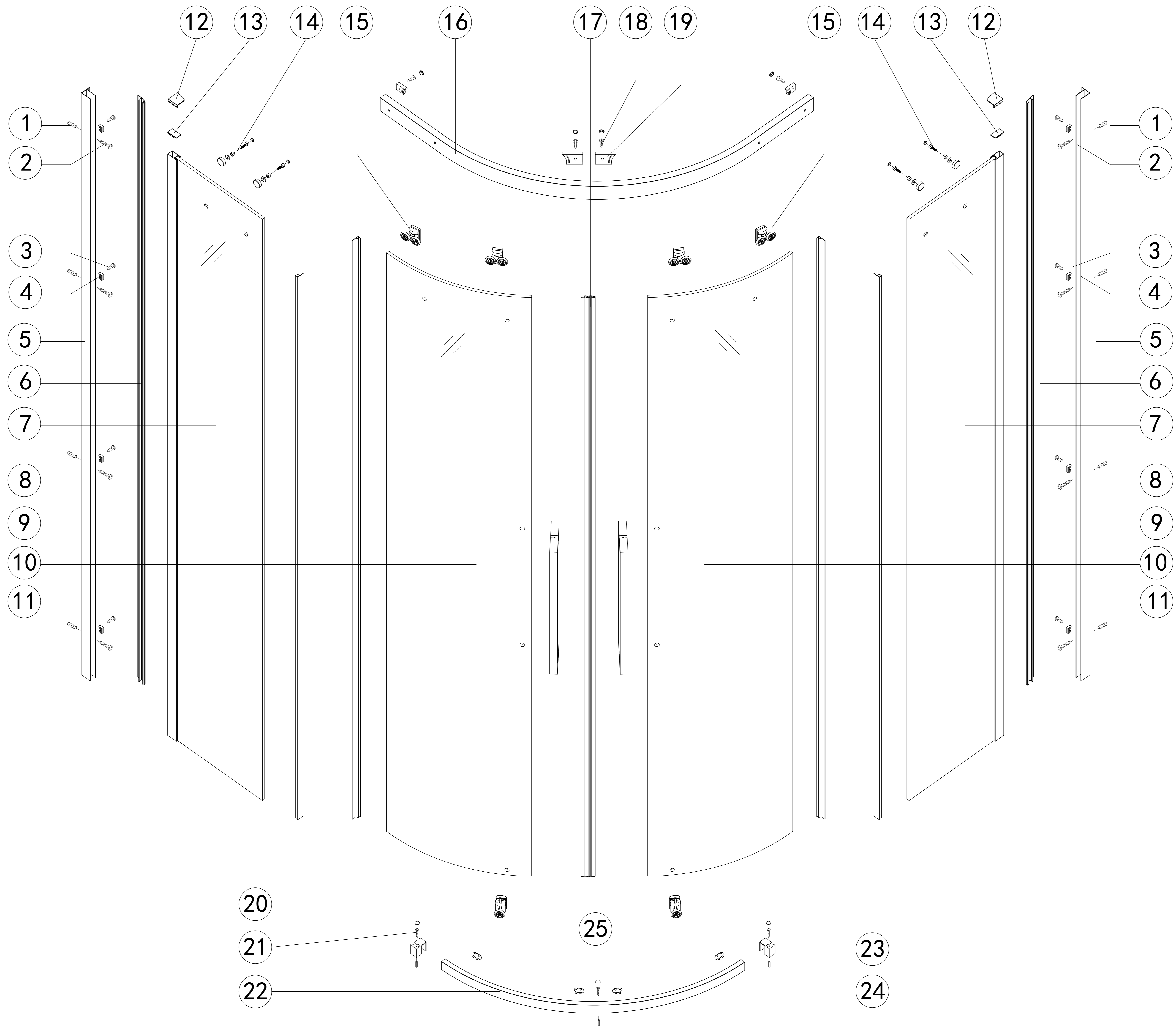


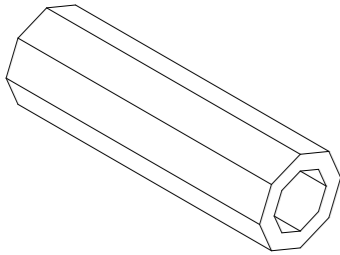
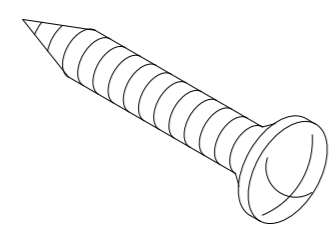
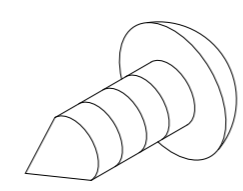
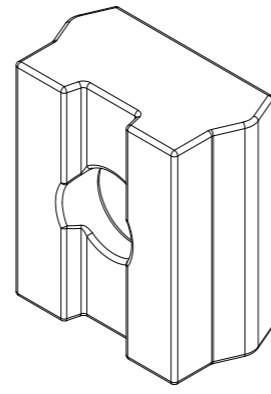
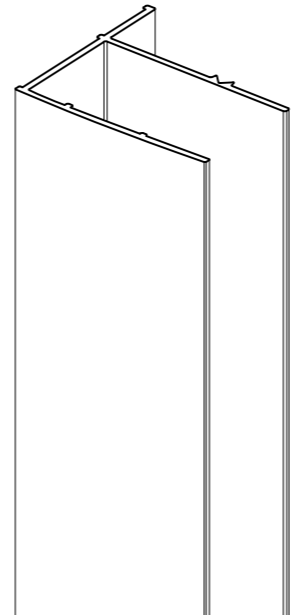
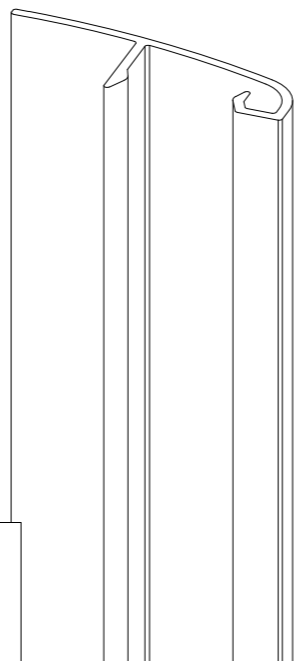
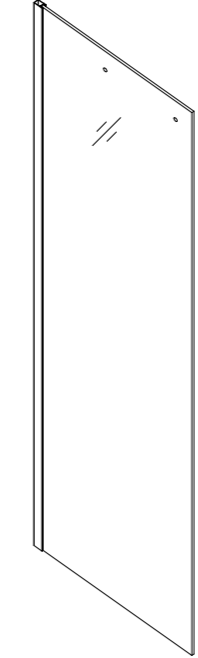
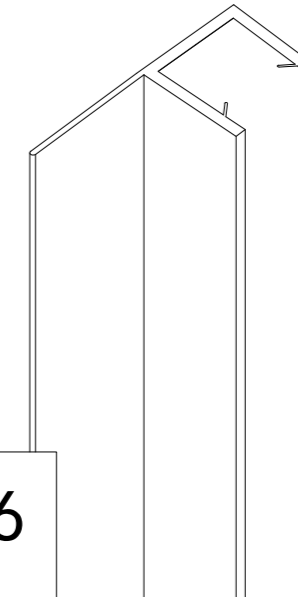
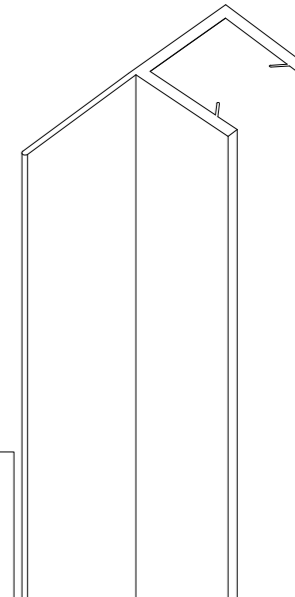
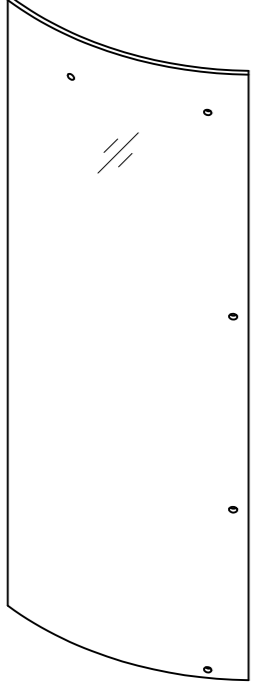
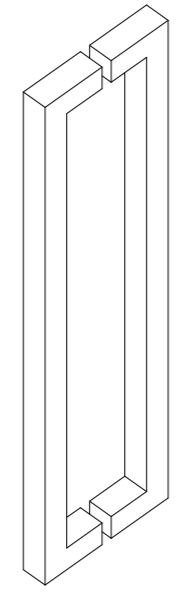
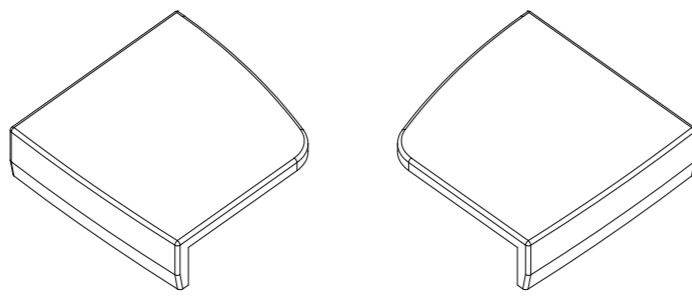
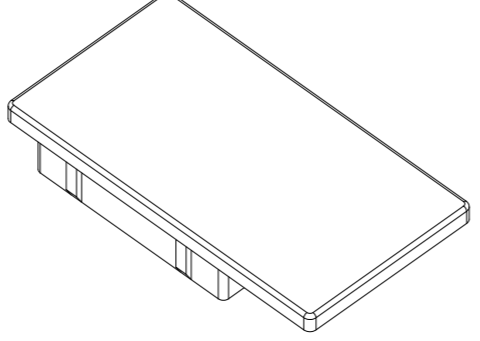
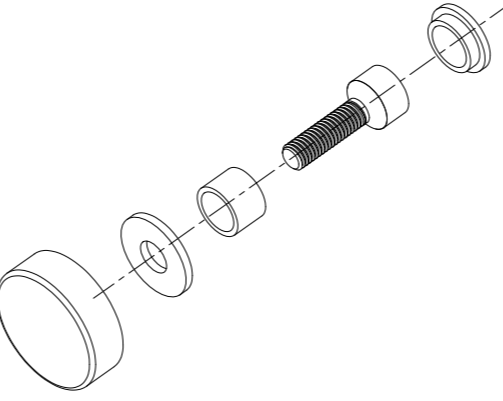
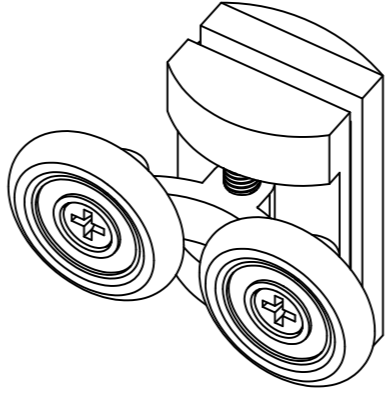
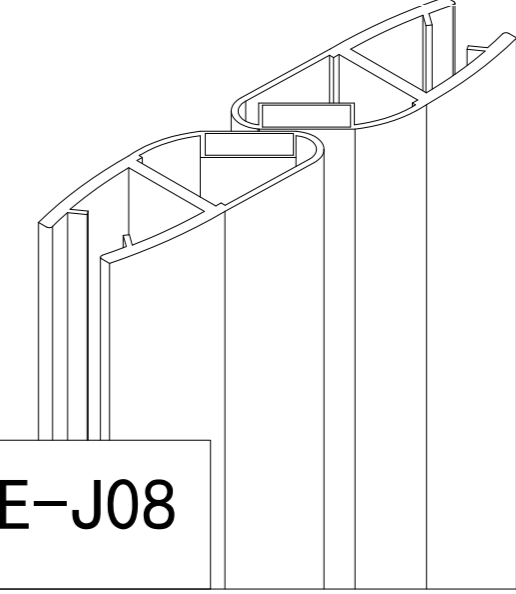
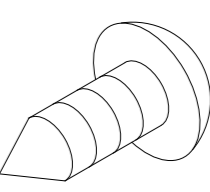
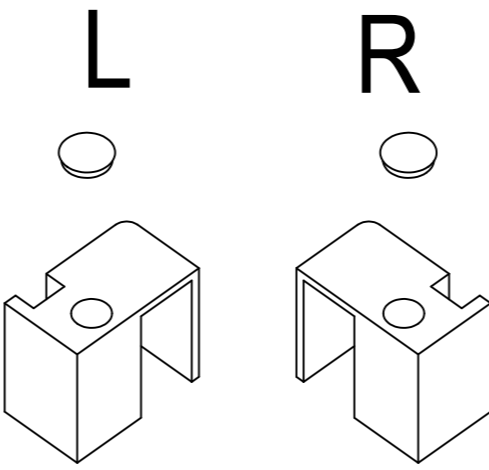
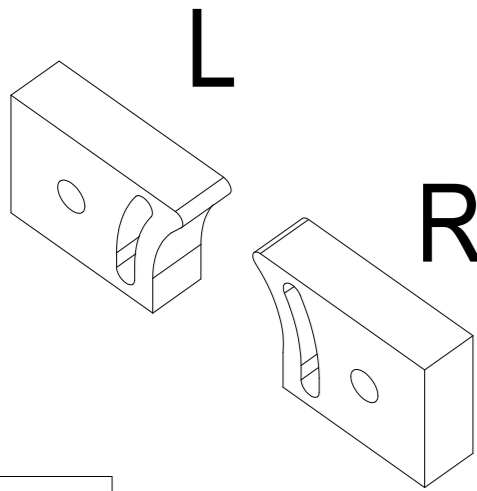
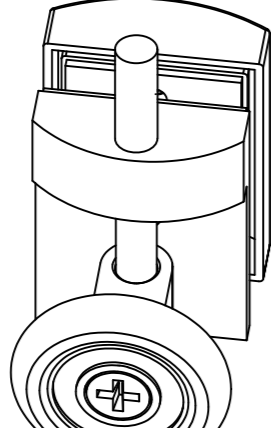
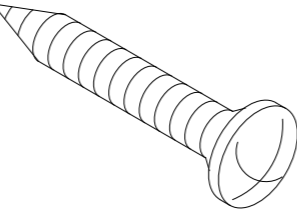

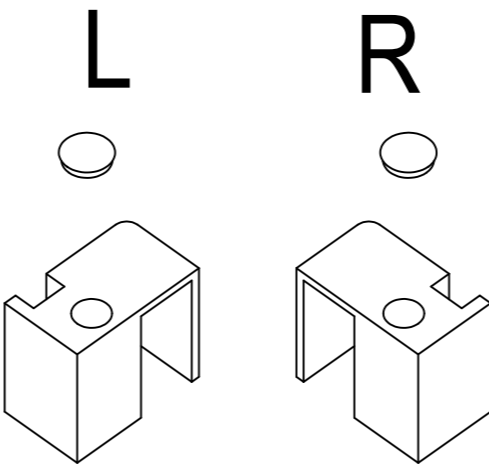
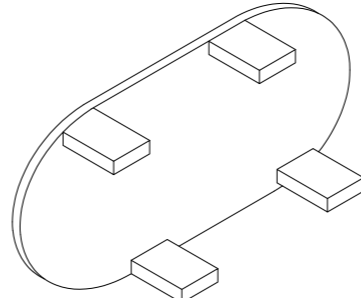
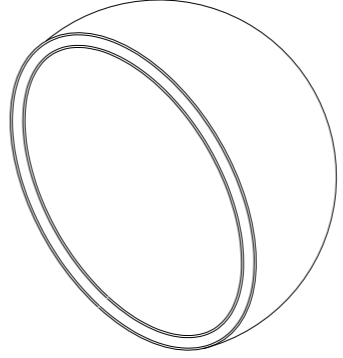
R



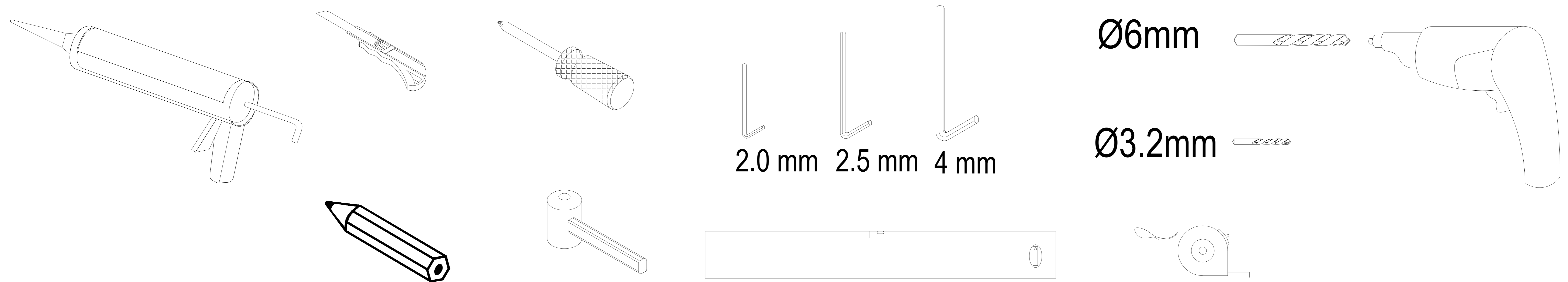
This product should only be fitted by a fully qualified installer.

This product should only be fitted by a fully qualified installer.

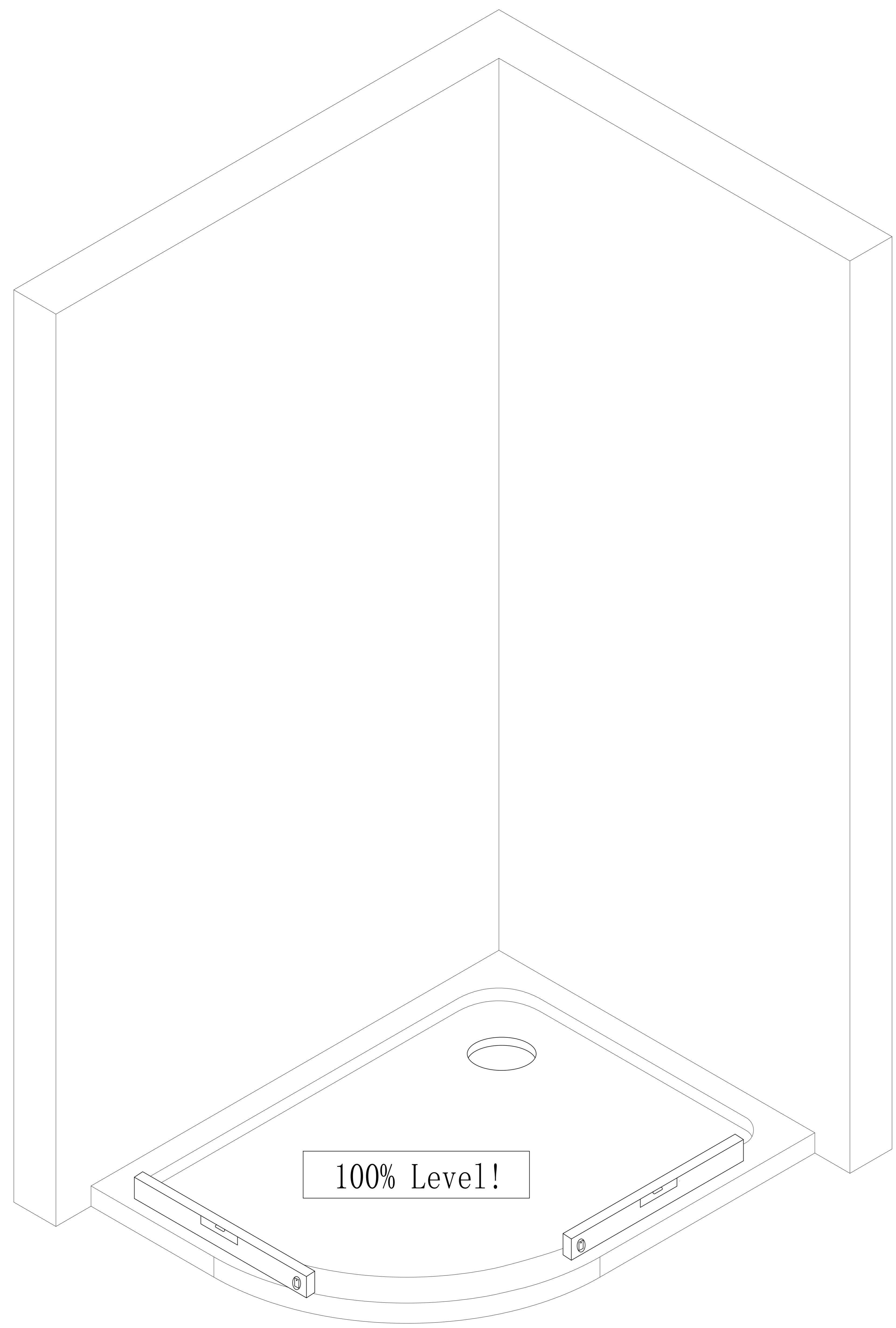


1  D6x30 11Pcs	2  ST4X30 9Pcs	3  ST4X12 8Pcs	4  CRF-6Y01 8Pcs	5  CWE-B01 2Pcs	6  CWE-B02 2Pcs	7  CWE-J06 2Pcs	8 1865mm  CWE-J07 2Pcs	9 1985mm  CWE-J08 2Pcs
10  CWE-D05 2Pcs	11  CWE-S01 2Pcs	12 L R  CWE-S03 2Pcs	13  CWE-D12 2Pcs	14  CWE-D09 4Pcs	15  CWE-B08-S 1Pcs	16  CWE-J08 1Pair	17 A+B  ST4X8 4Pcs	18  CWE-D11 2Pcs
19 L R  CWE-S05 4Pcs	20  CWE-D10 2Pcs	21  ST4X35 2Pcs	22  CWE-B09-S 1Pcs	23 L R  CWE-D11 2Pcs	24  CRF-6Y05 4Pcs	25  CWE-S07 1Pcs	<h1>Tools:</h1>	

Please report any missing parts or damage to your supplier within 10 working days and before installation.

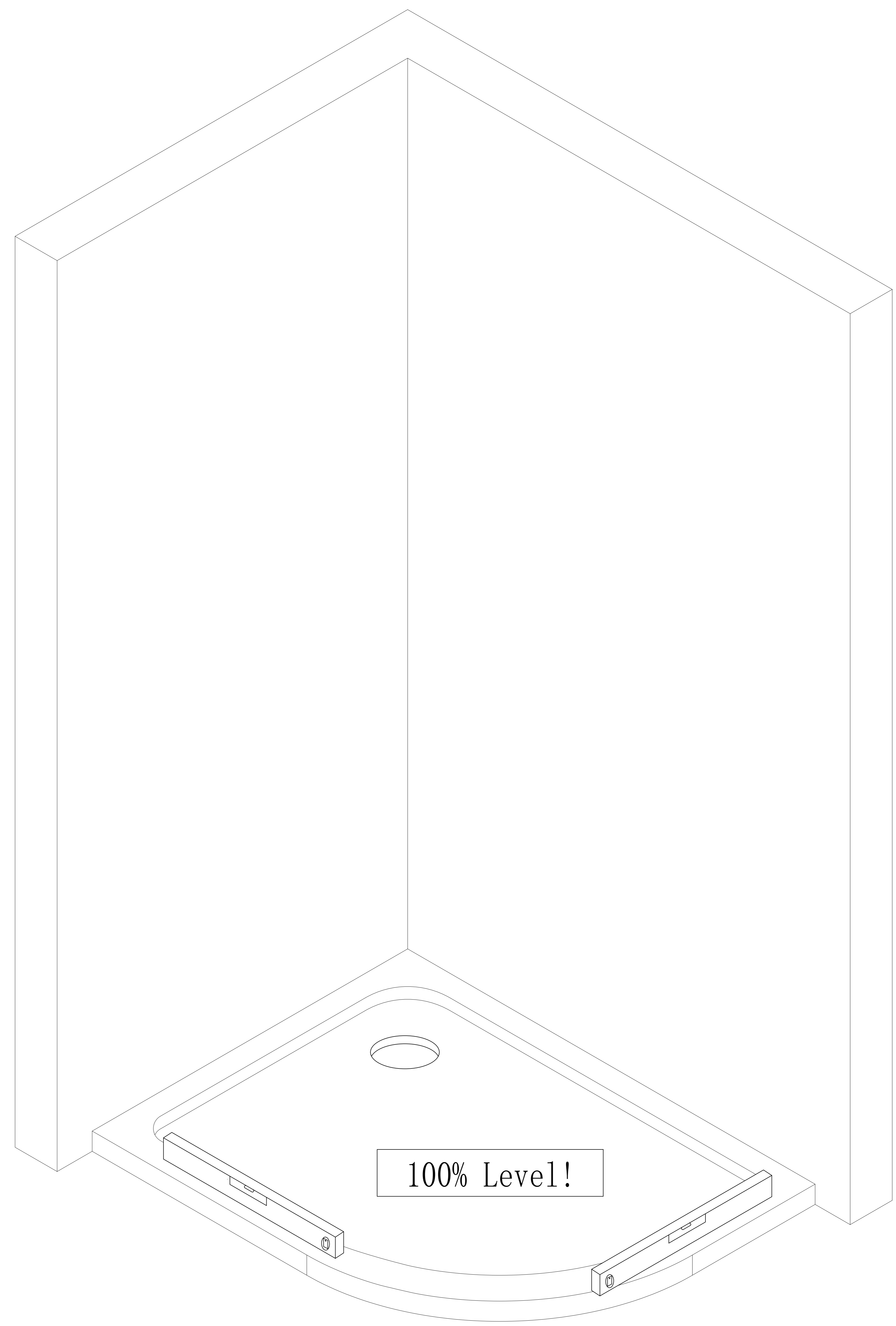


1L



Check tray is level

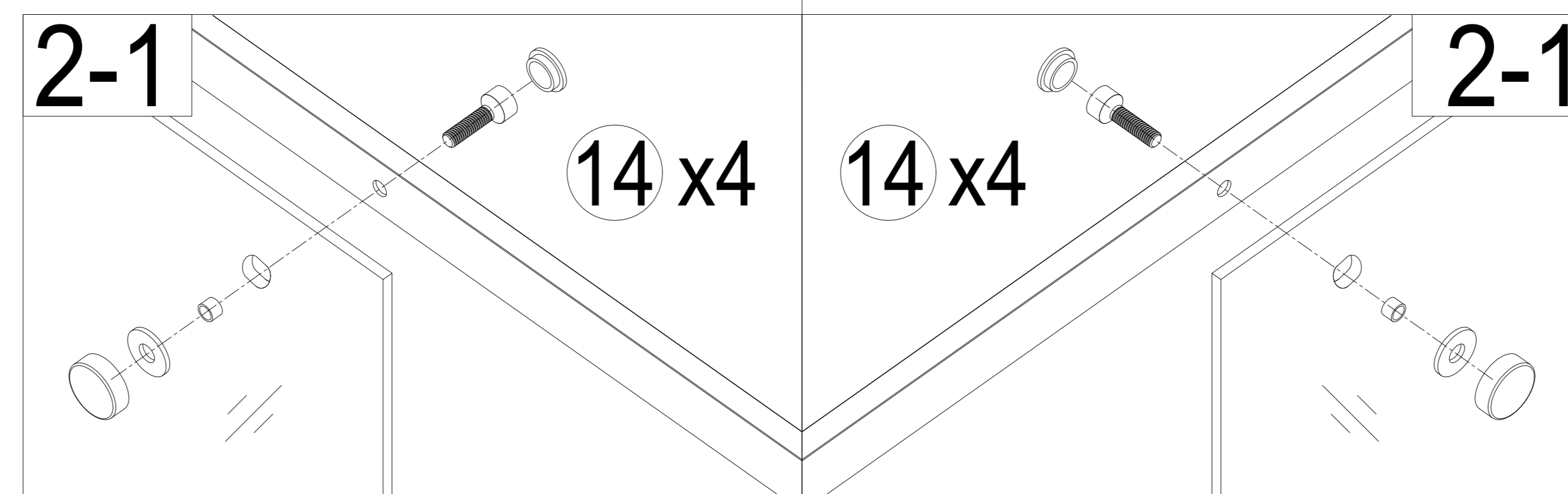
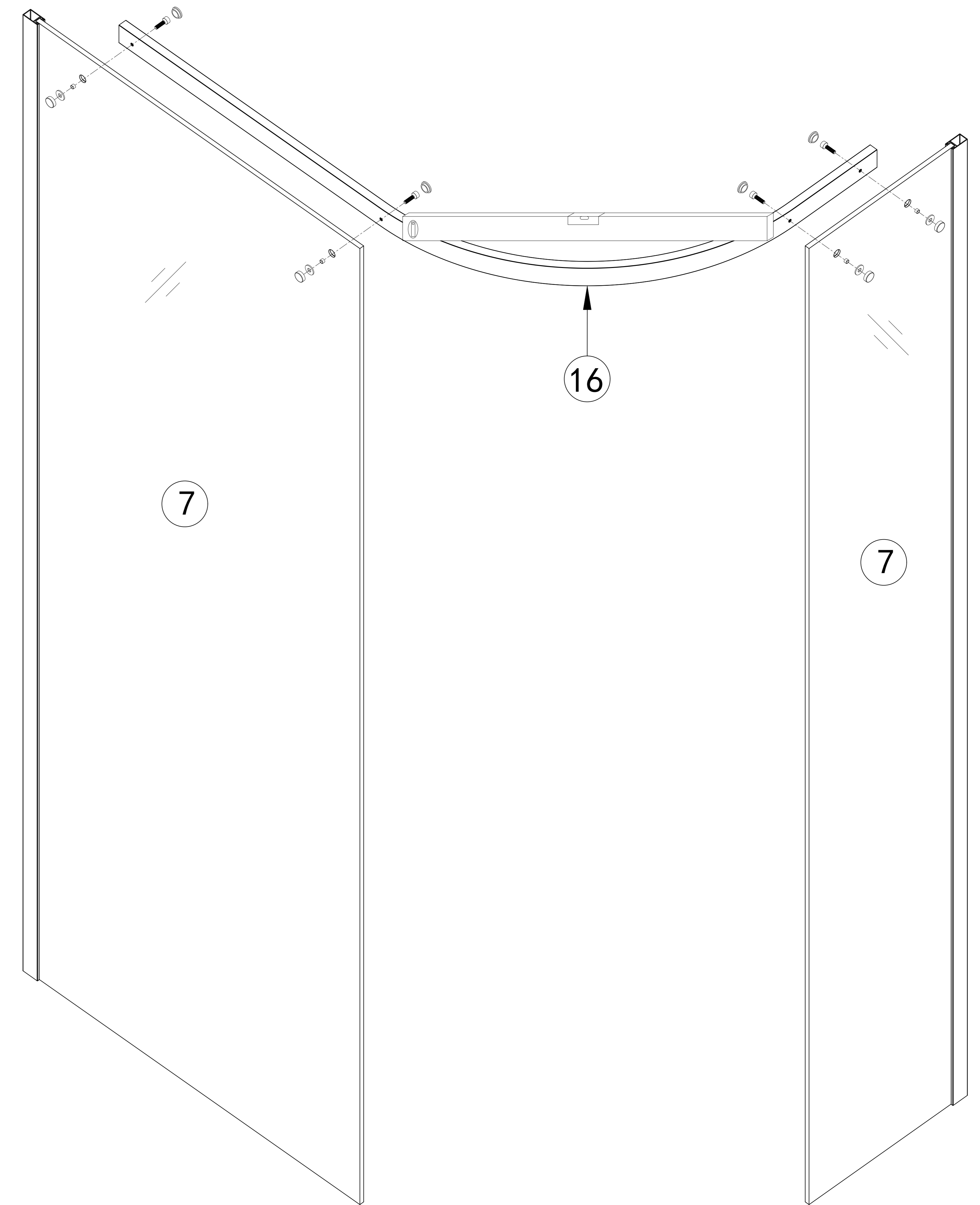
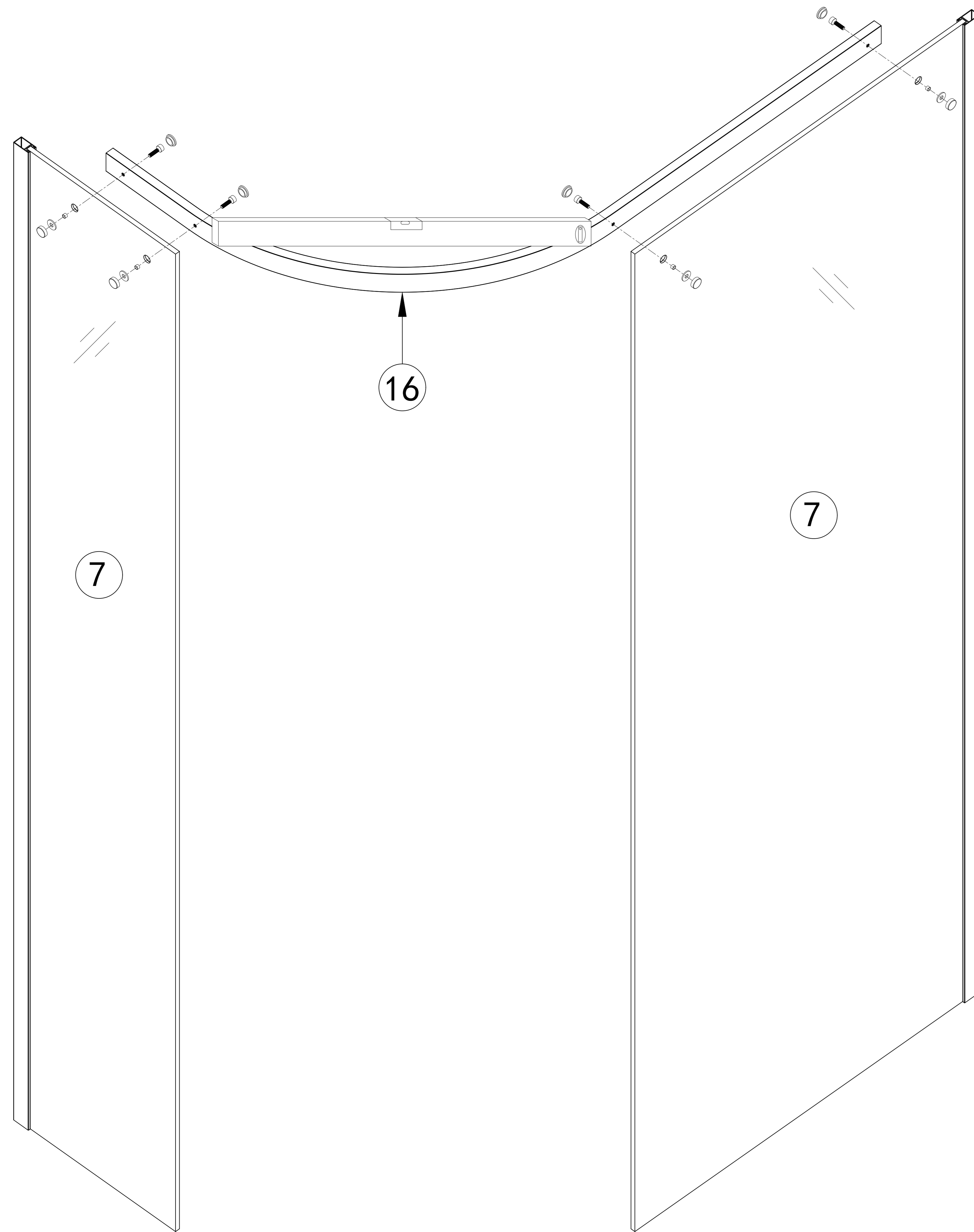
1R



Check tray is level

2L

2R

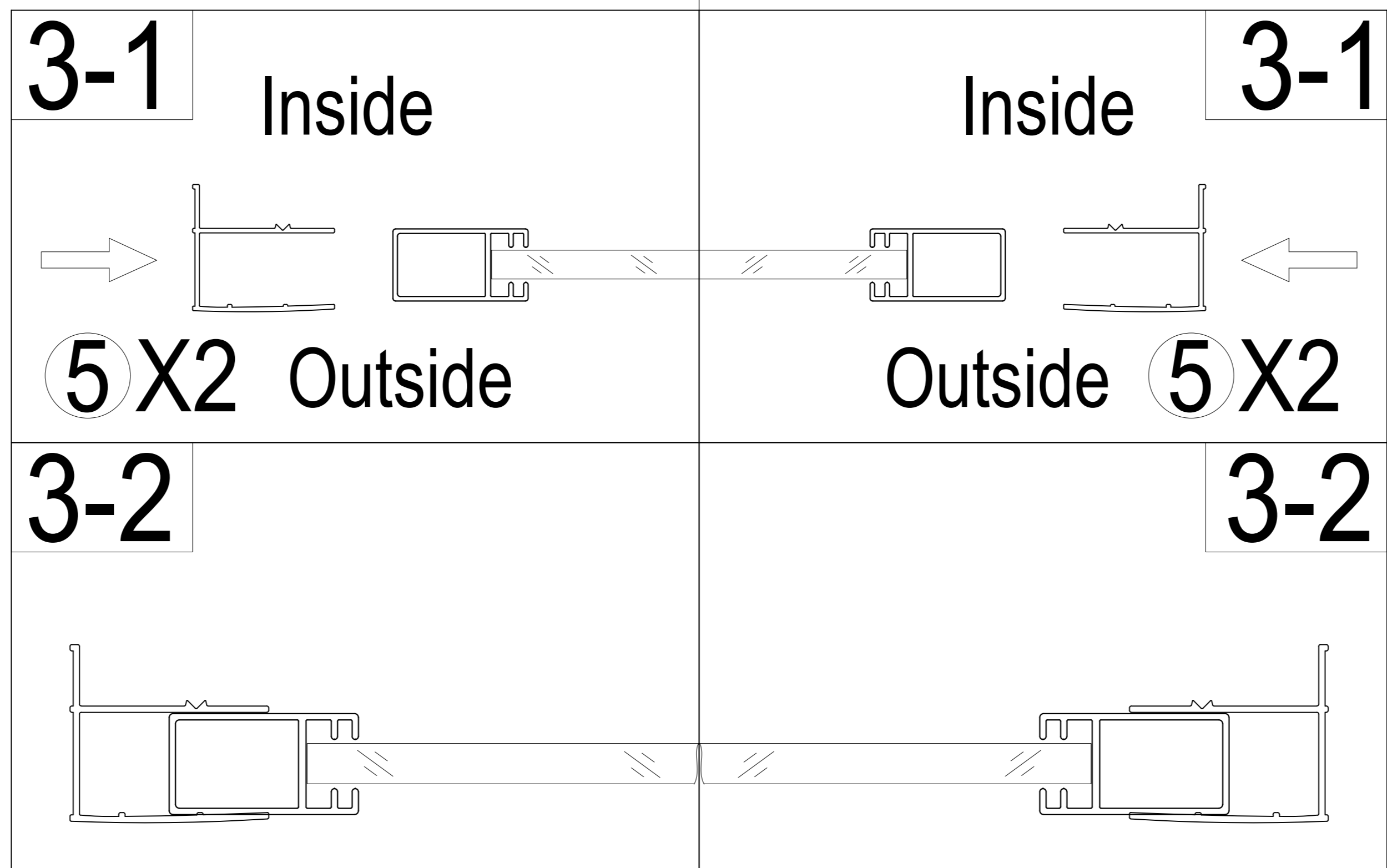
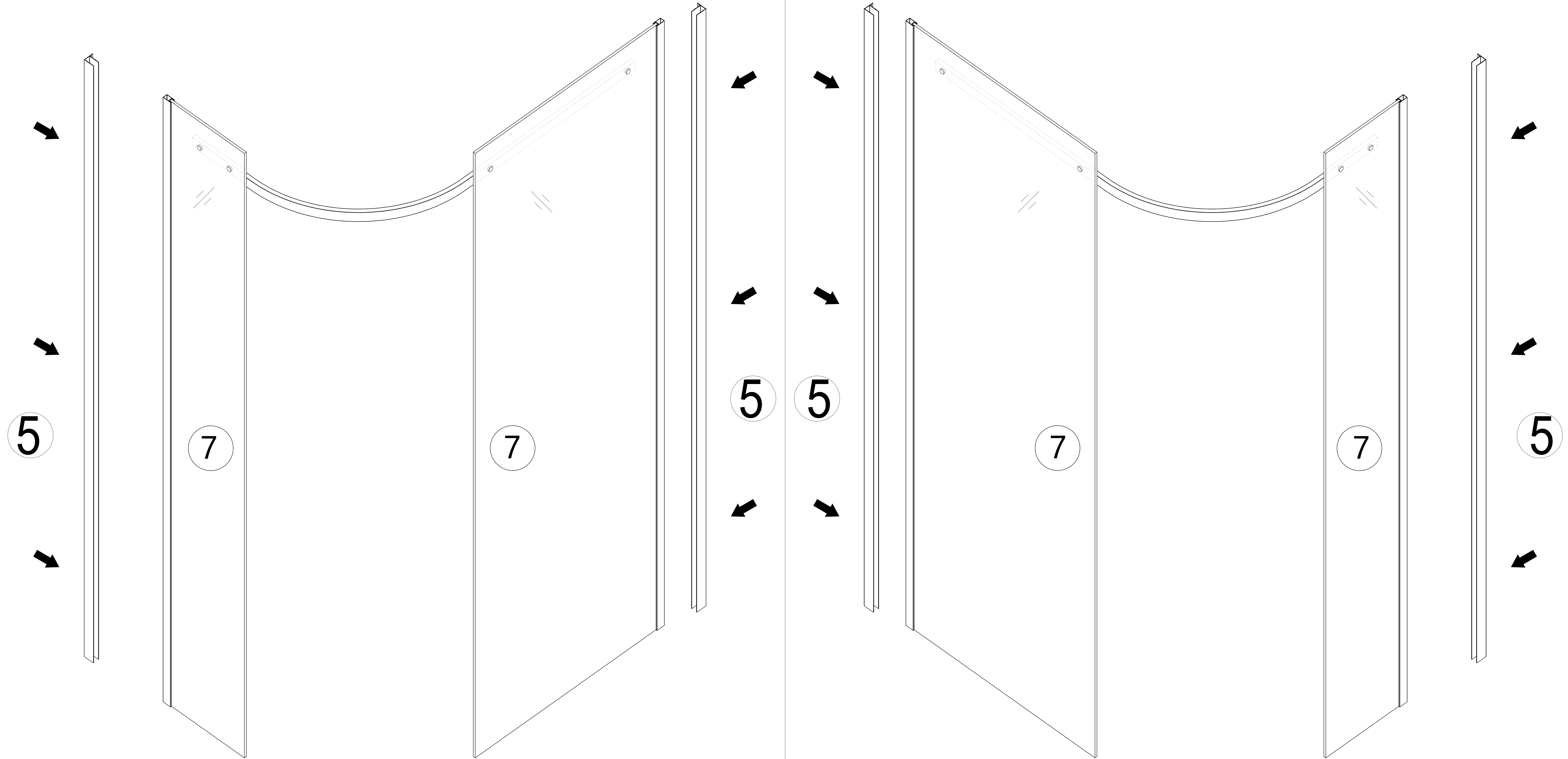


Connect top support bar 16 to fixed glass panels 7 with bolts 14.

Connect top support bar 16 to fixed glass panels 7 with bolts 14.

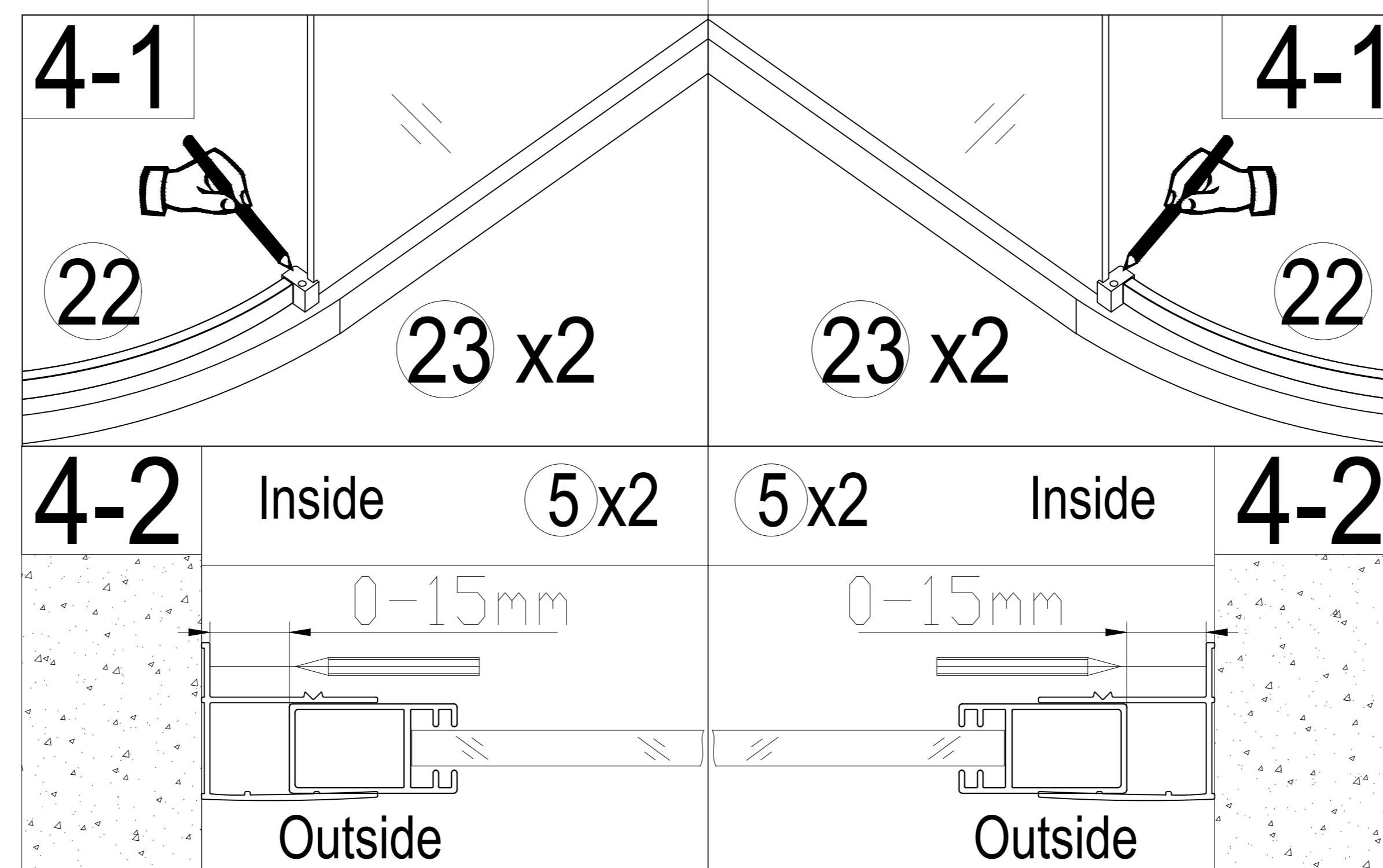
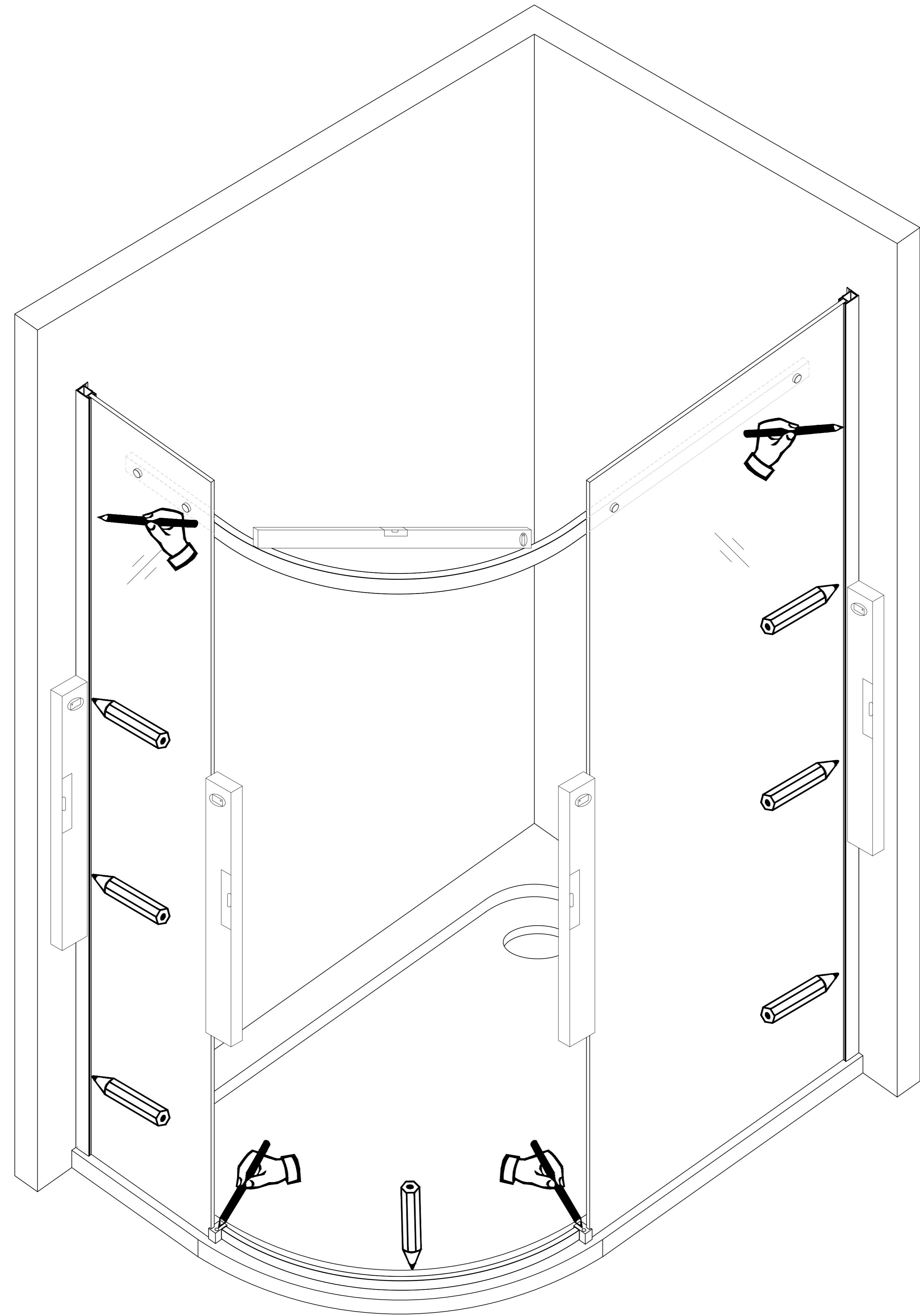
3L

3R



4L

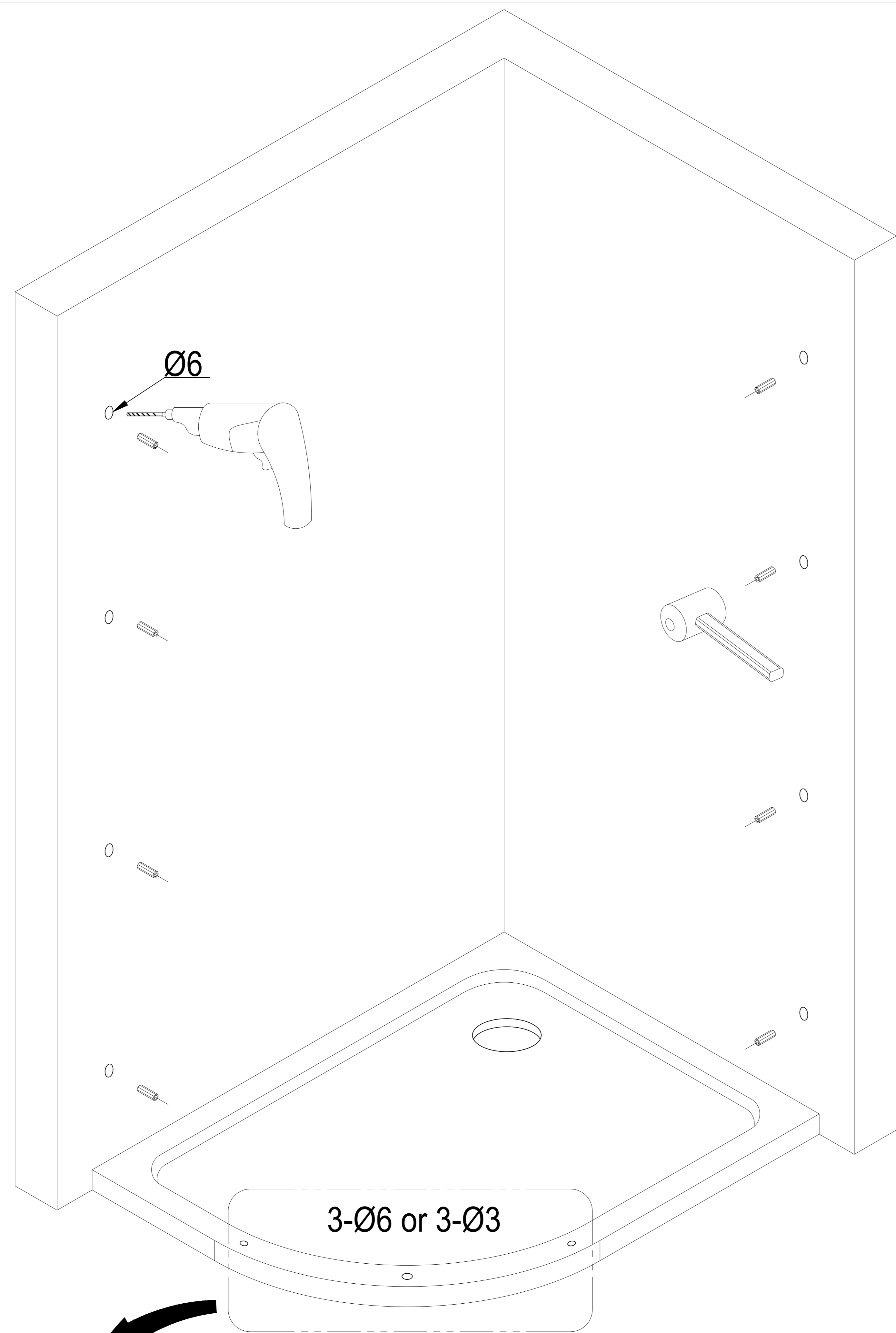
4R



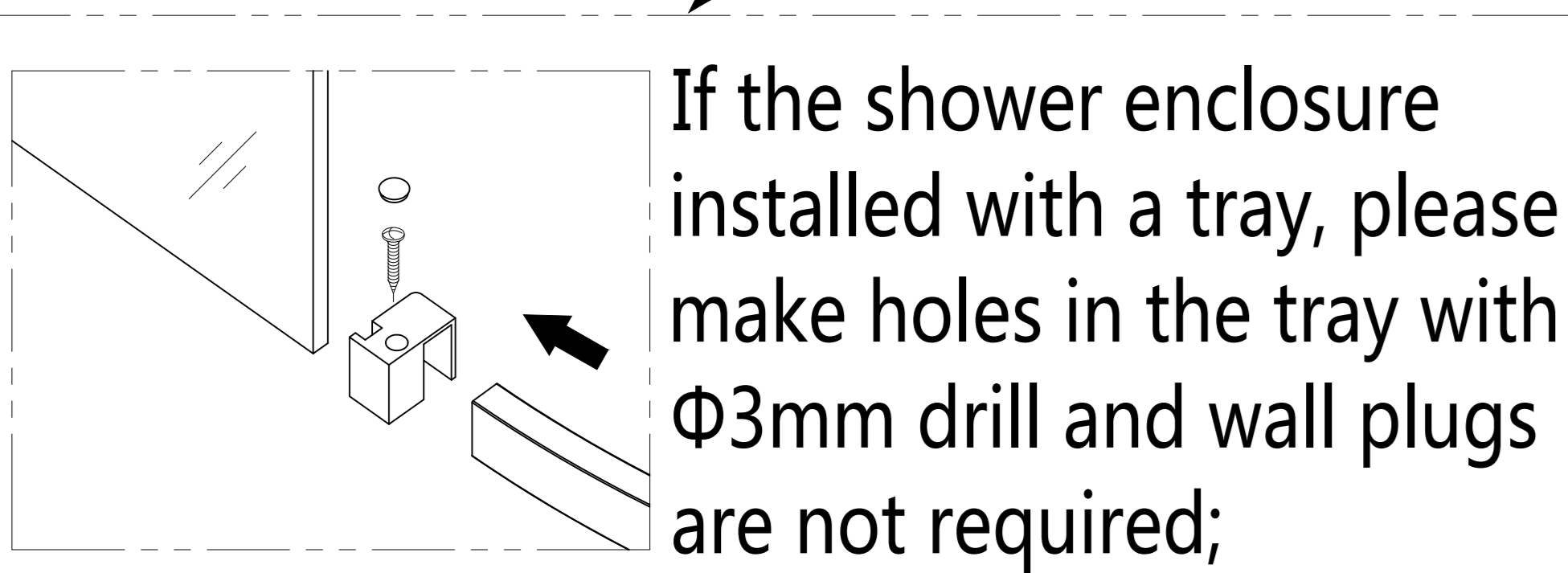
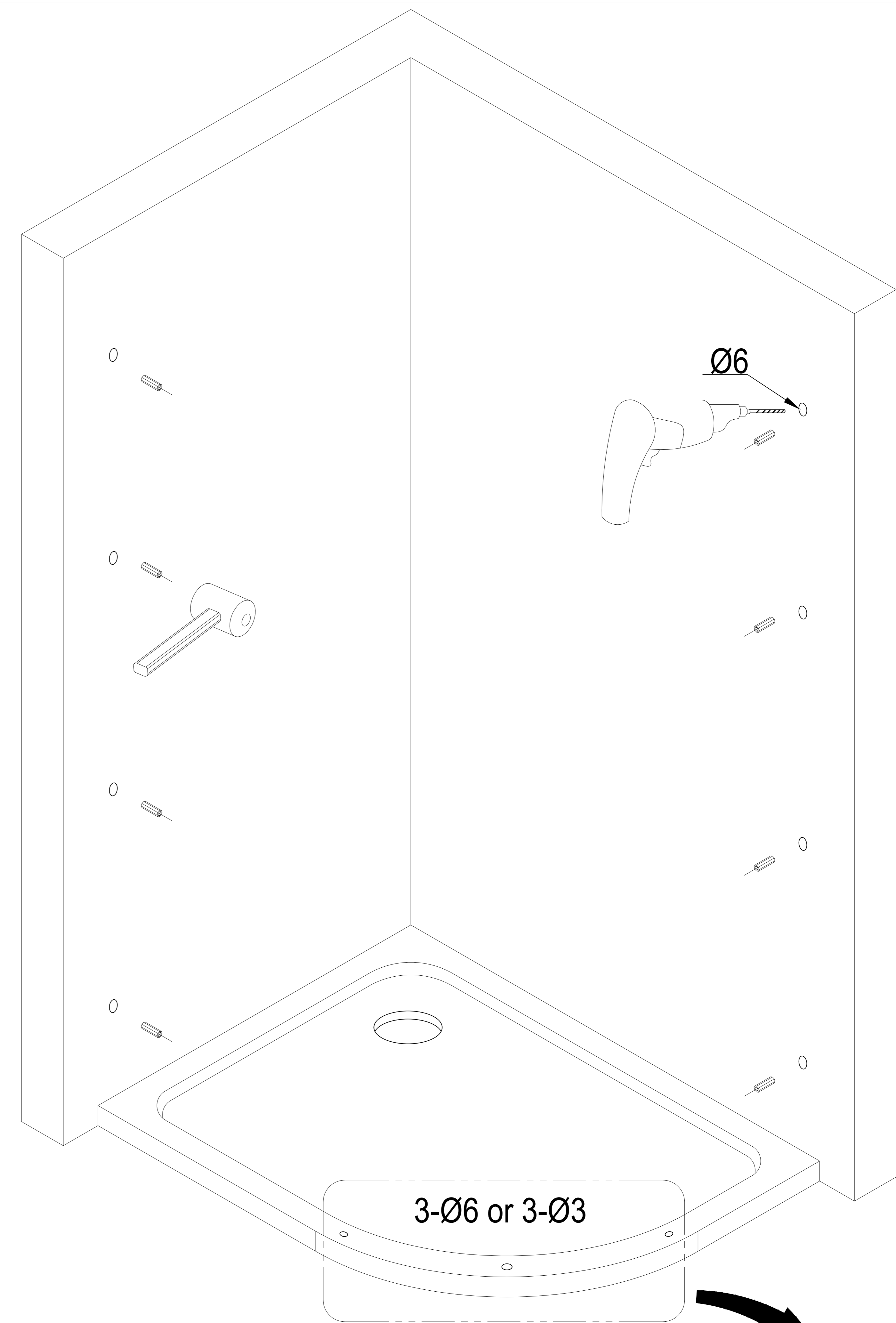
Lift fixed panels with bar attached onto tray for best fit and mark position for wall profiles and bottom rail & rail fixtures

Lift fixed panels with bar attached onto tray for best fit and mark position for wall profiles and bottom rail & rail fixtures

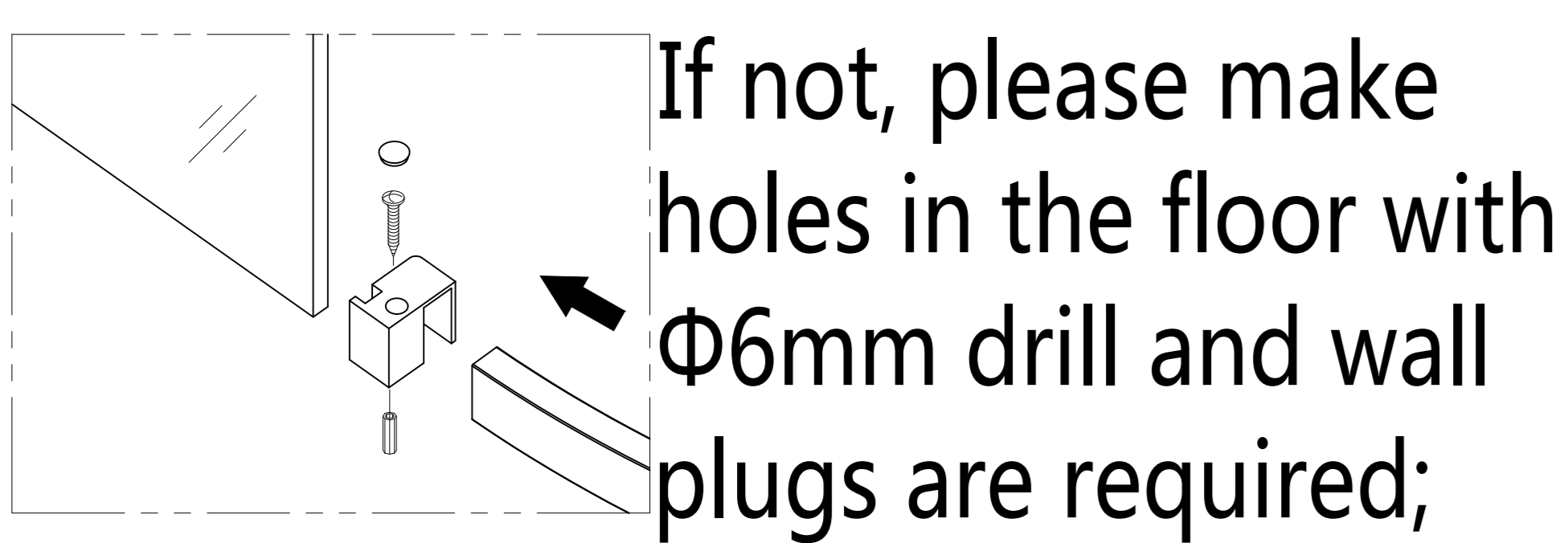
5L



5R

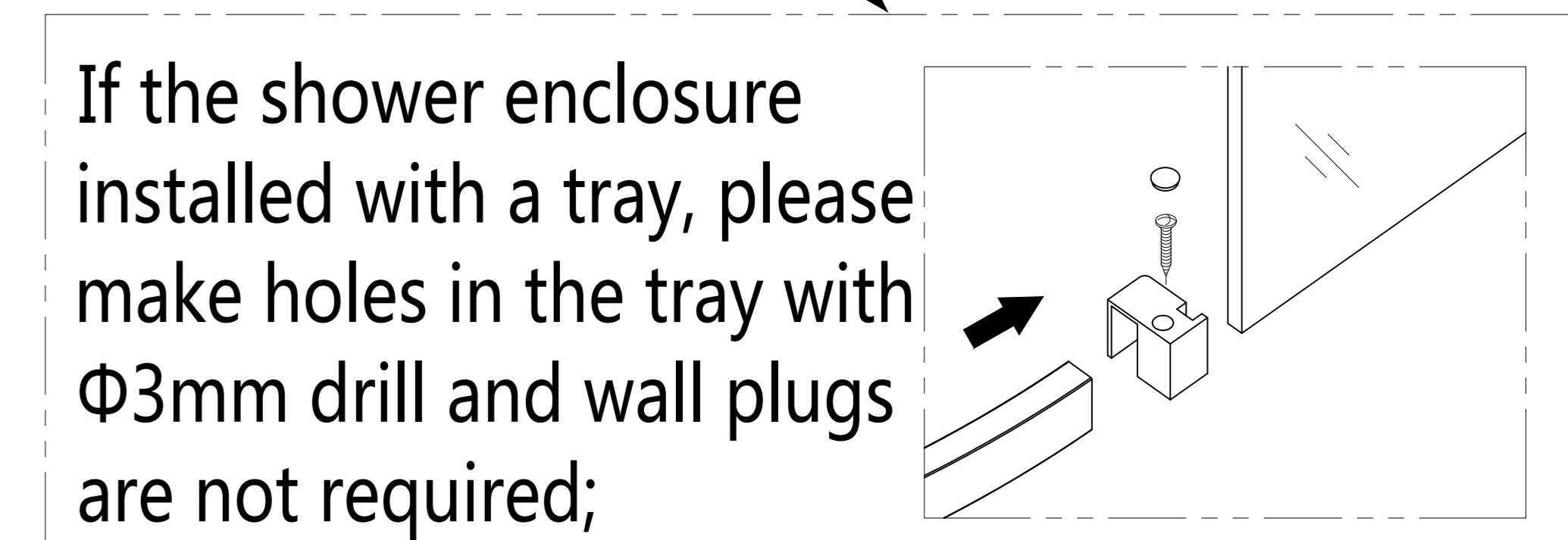
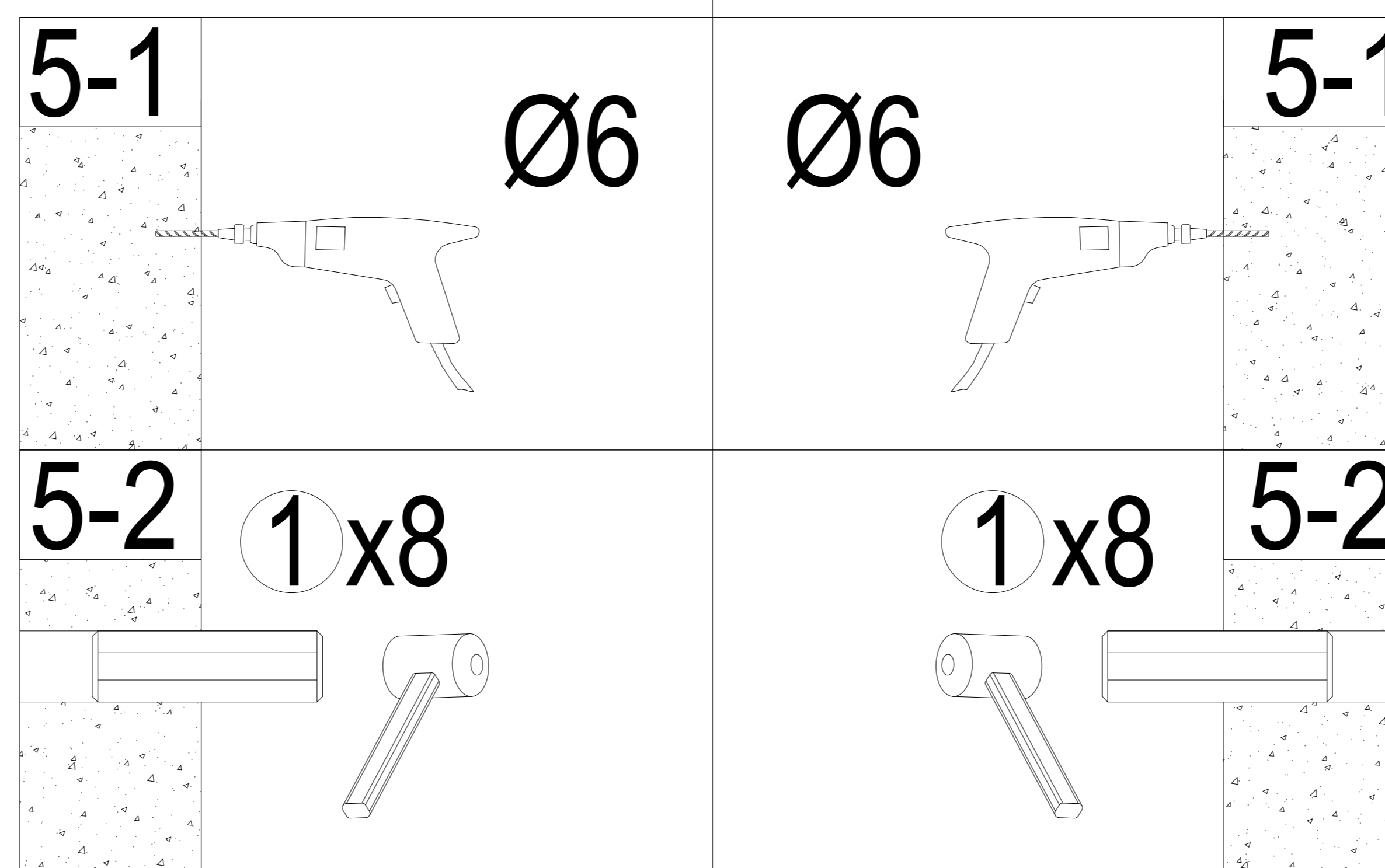


If the shower enclosure installed with a tray, please make holes in the tray with $\Phi 3\text{mm}$ drill and wall plugs are not required;

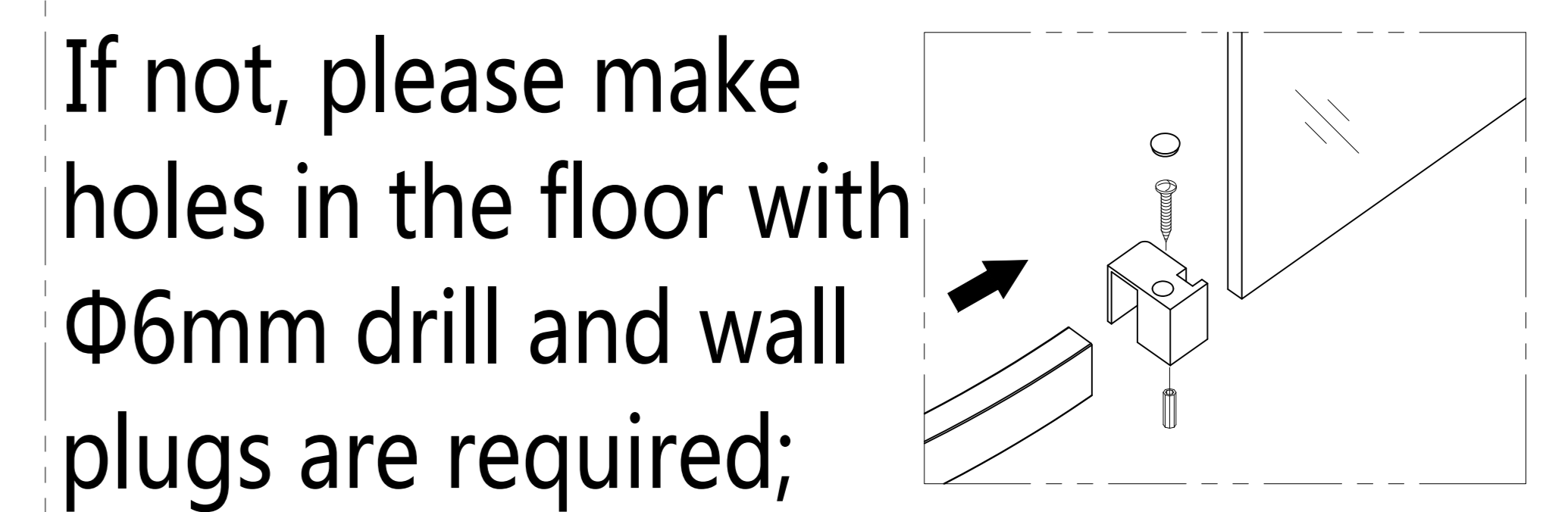


If not, please make holes in the floor with $\Phi 6\text{mm}$ drill and wall plugs are required;

Installing wall profiles - checking levels



If the shower enclosure installed with a tray, please make holes in the tray with $\Phi 3\text{mm}$ drill and wall plugs are not required;

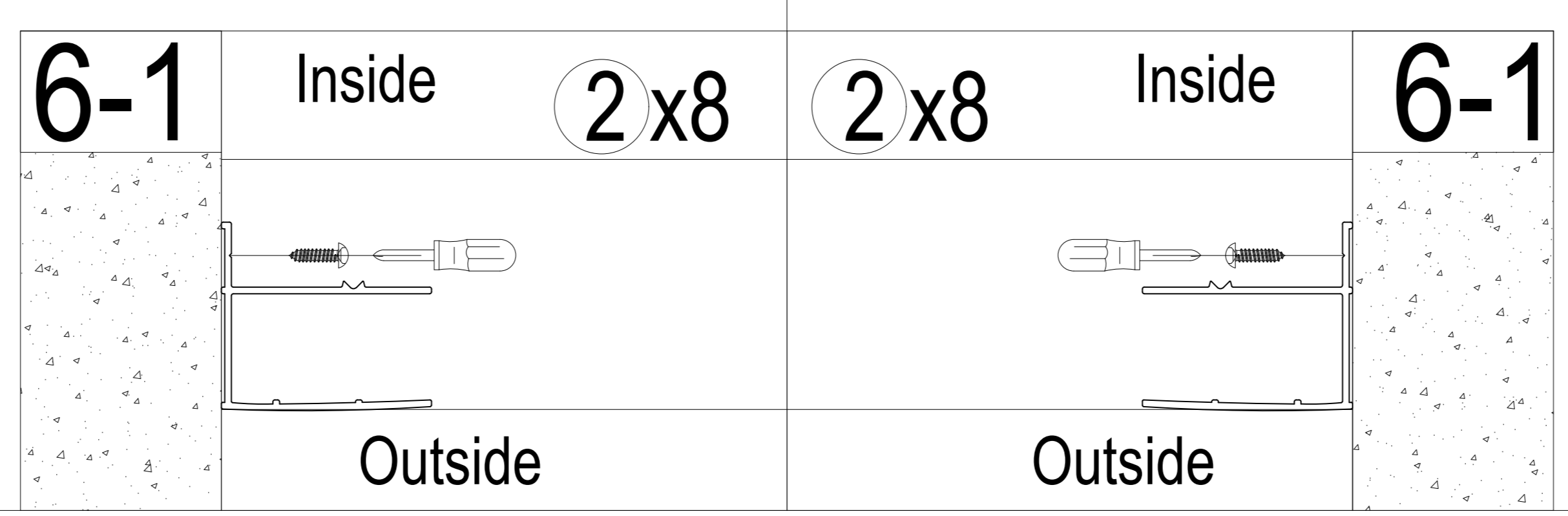
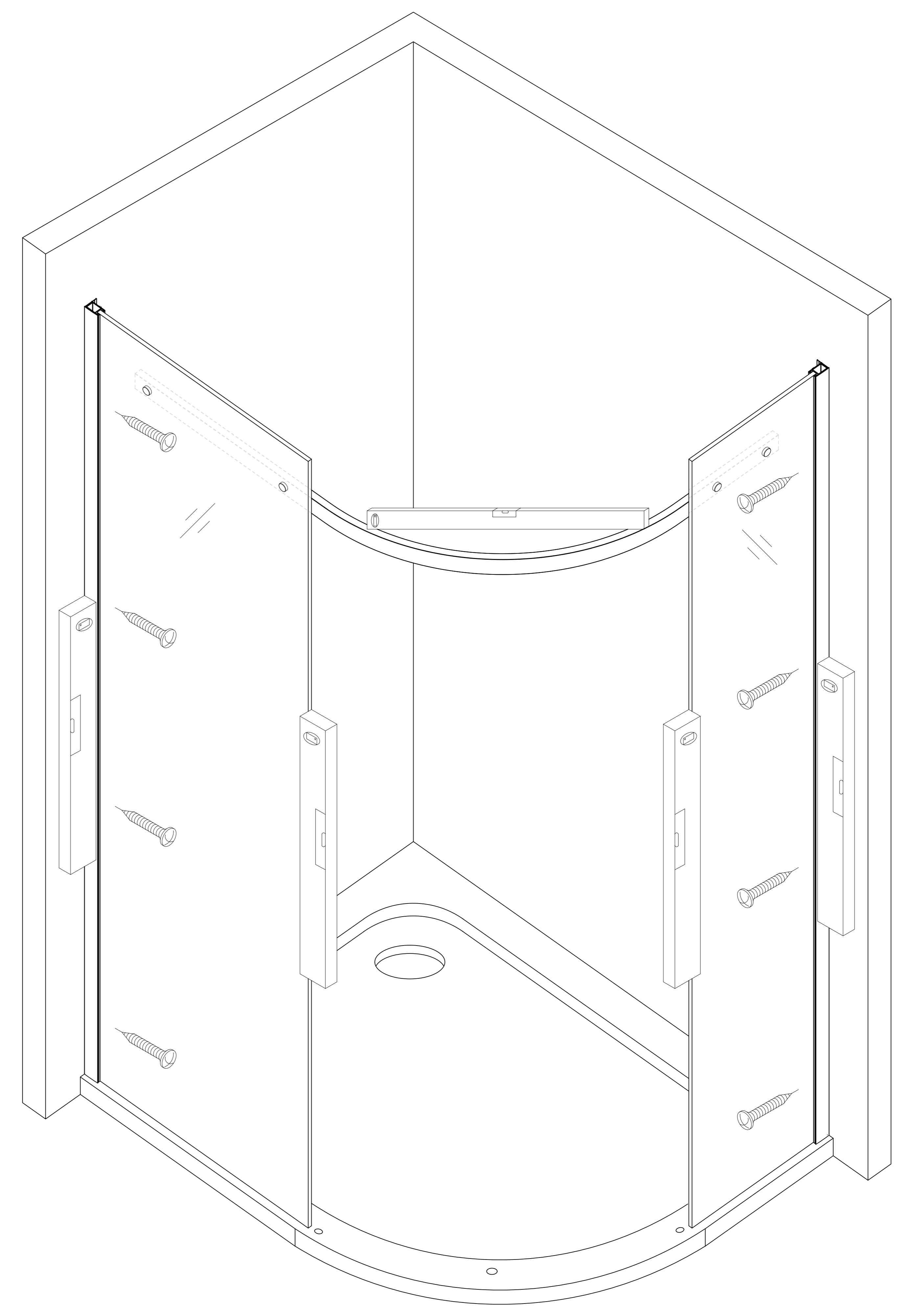
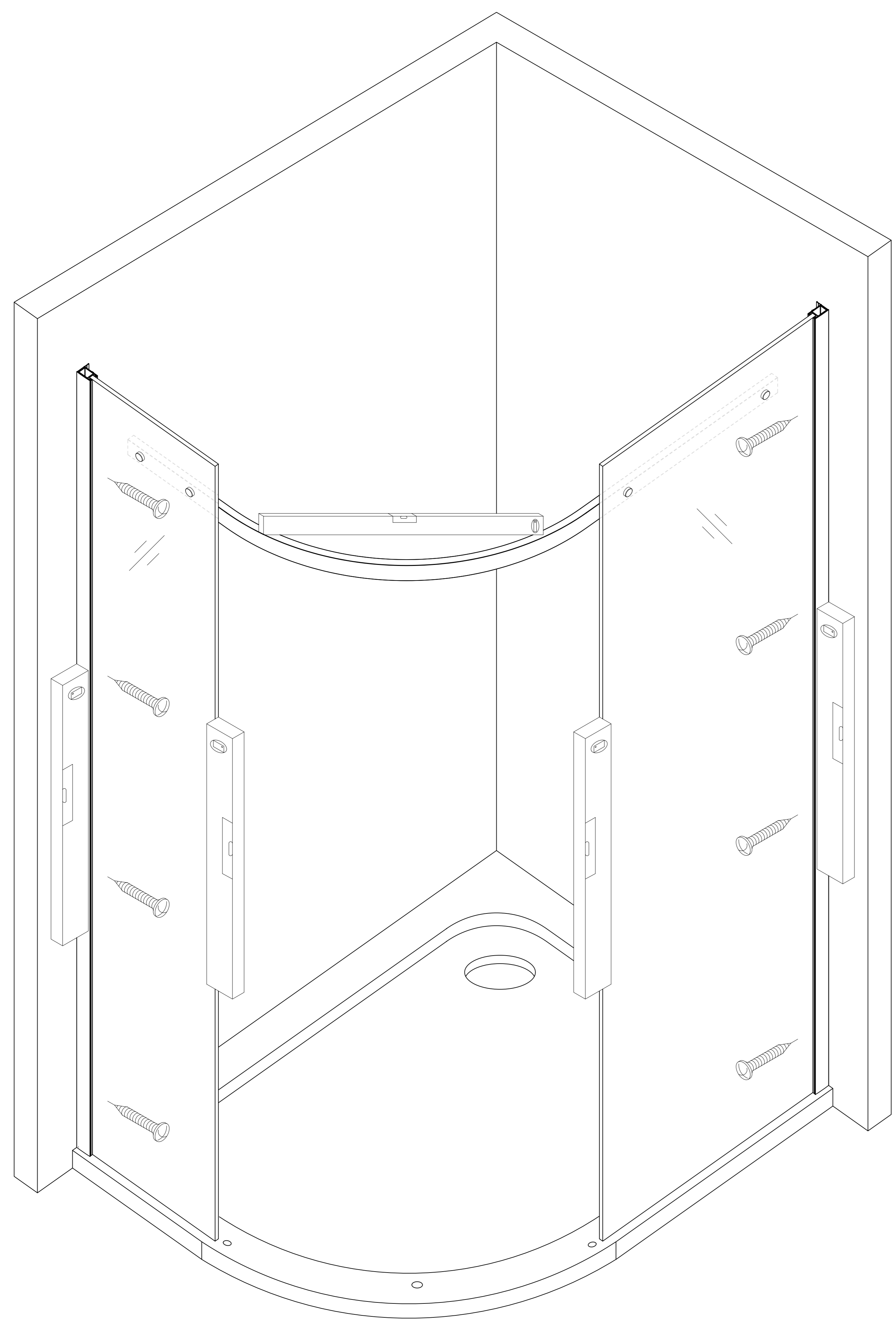


If not, please make holes in the floor with $\Phi 6\text{mm}$ drill and wall plugs are required;

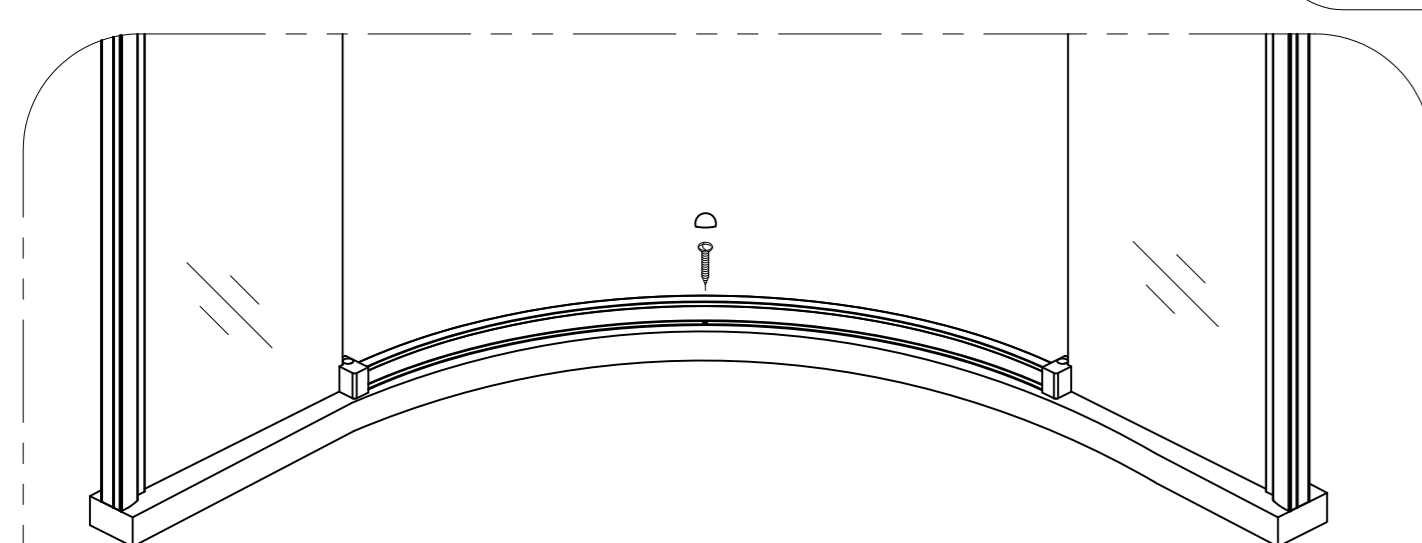
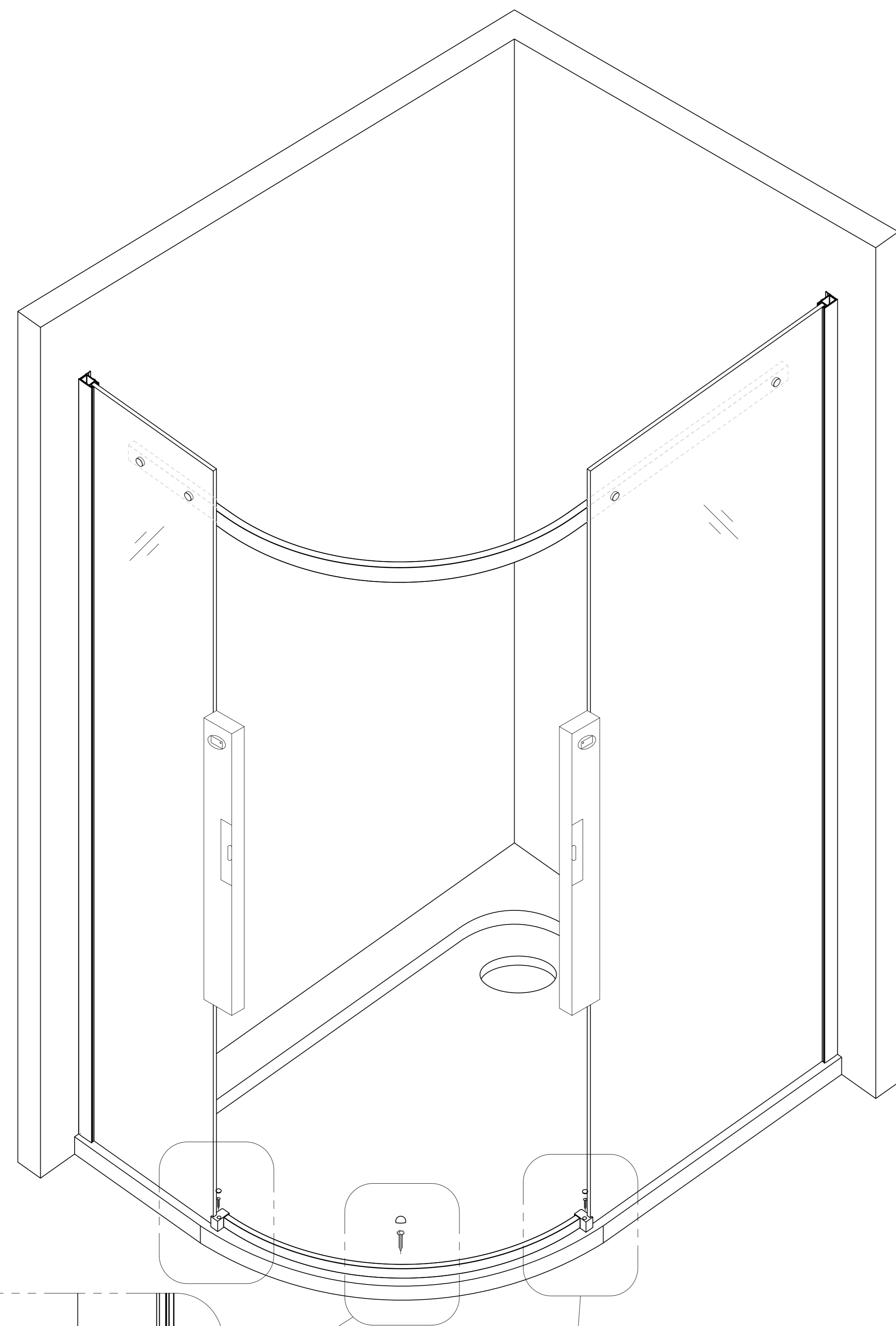
Installing wall profiles - checking levels

6L

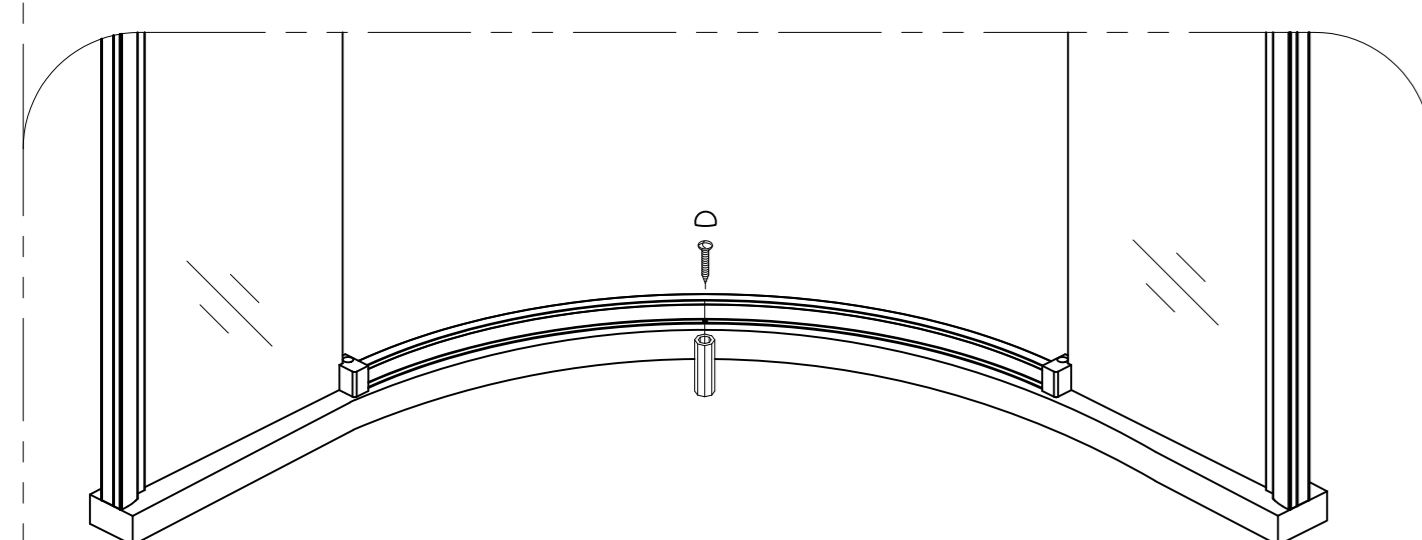
6R



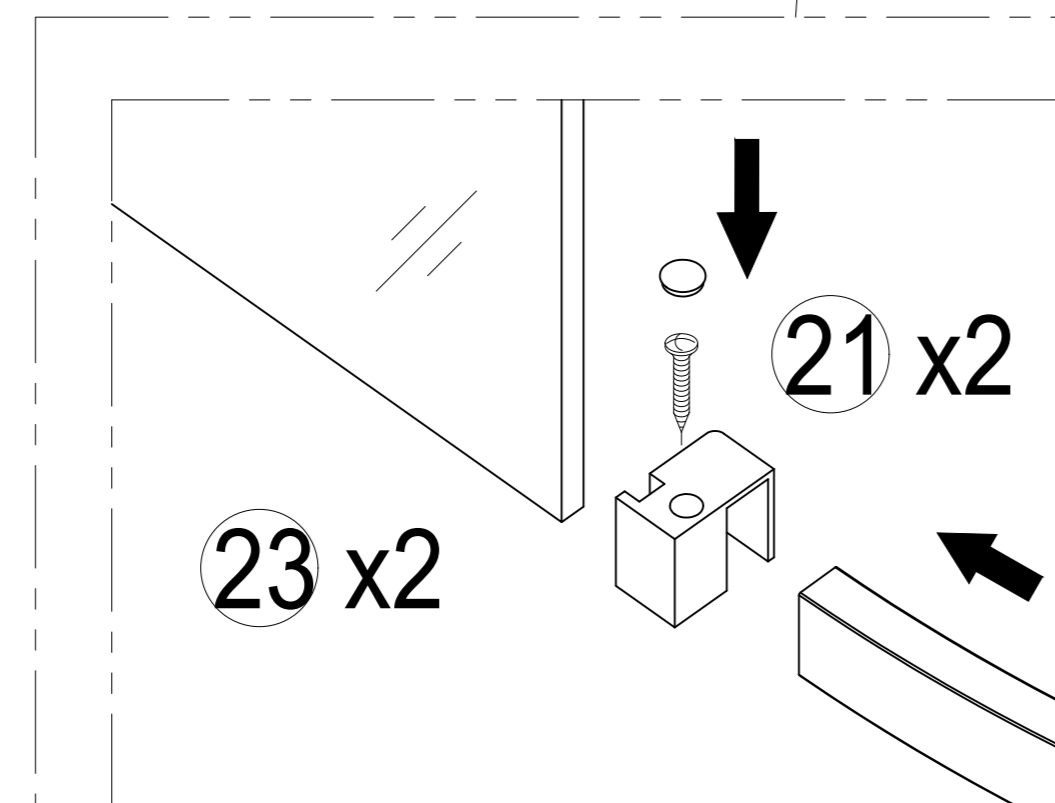
7L



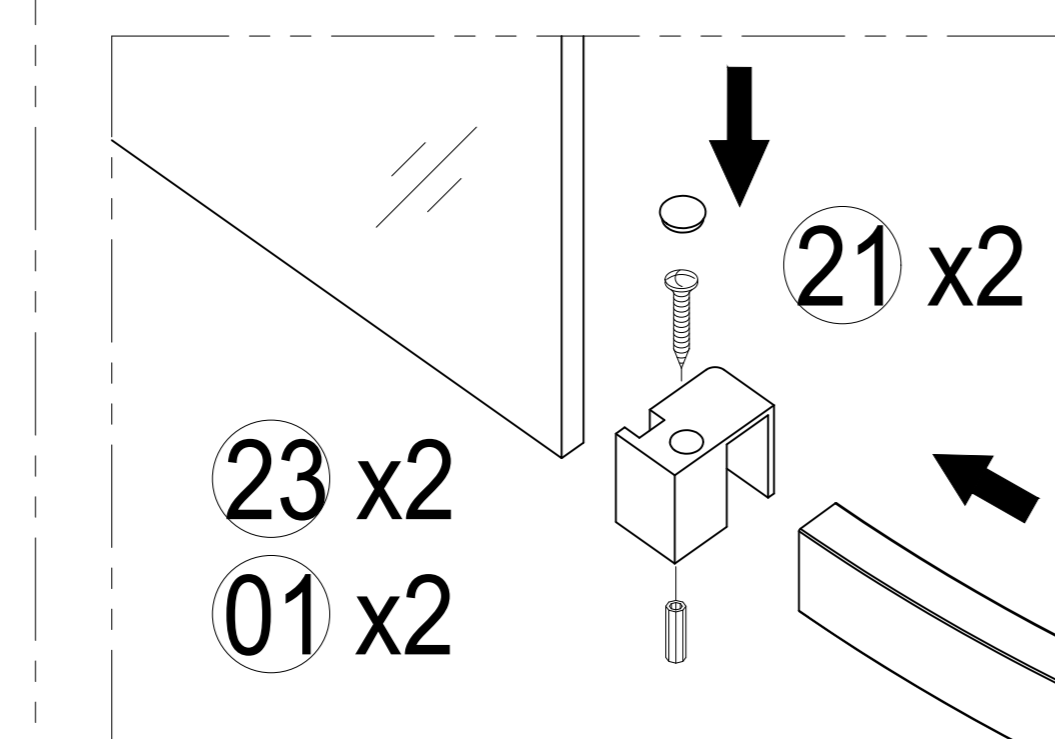
02 x1
25 x1
If the shower enclosure installed with a tray, please make holes in the tray with $\Phi 3\text{mm}$ drill and wall plugs are not required;



02 x1
25 x1
01 x1
If not, please make holes in the floor with $\Phi 6\text{mm}$ drill and wall plugs are required;



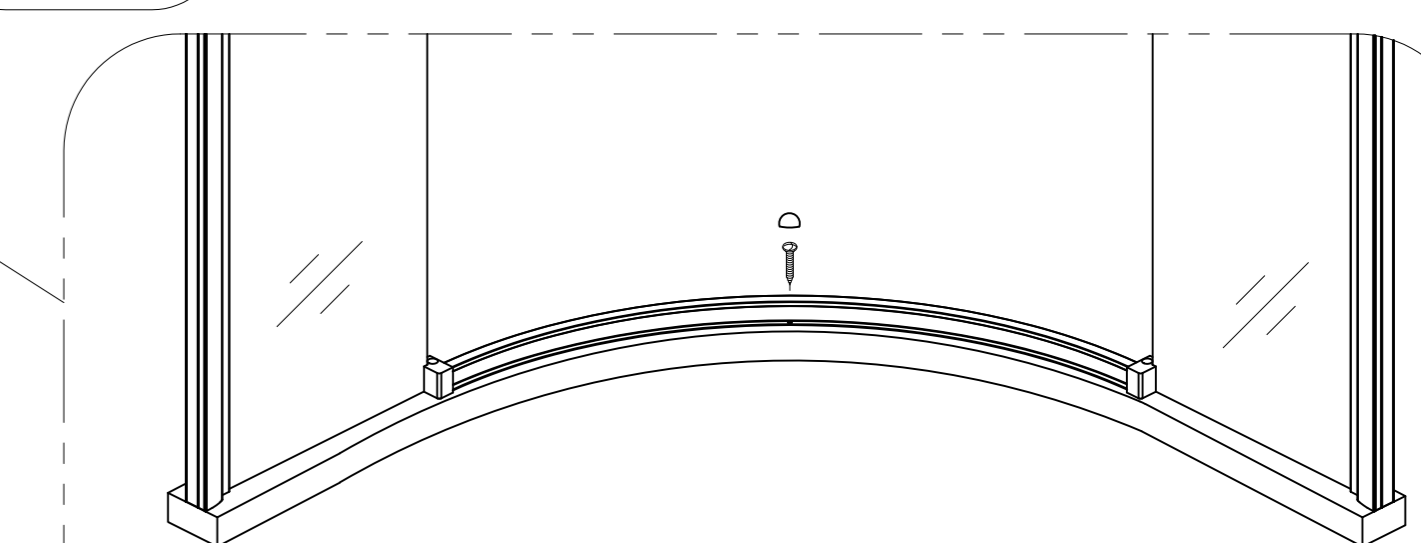
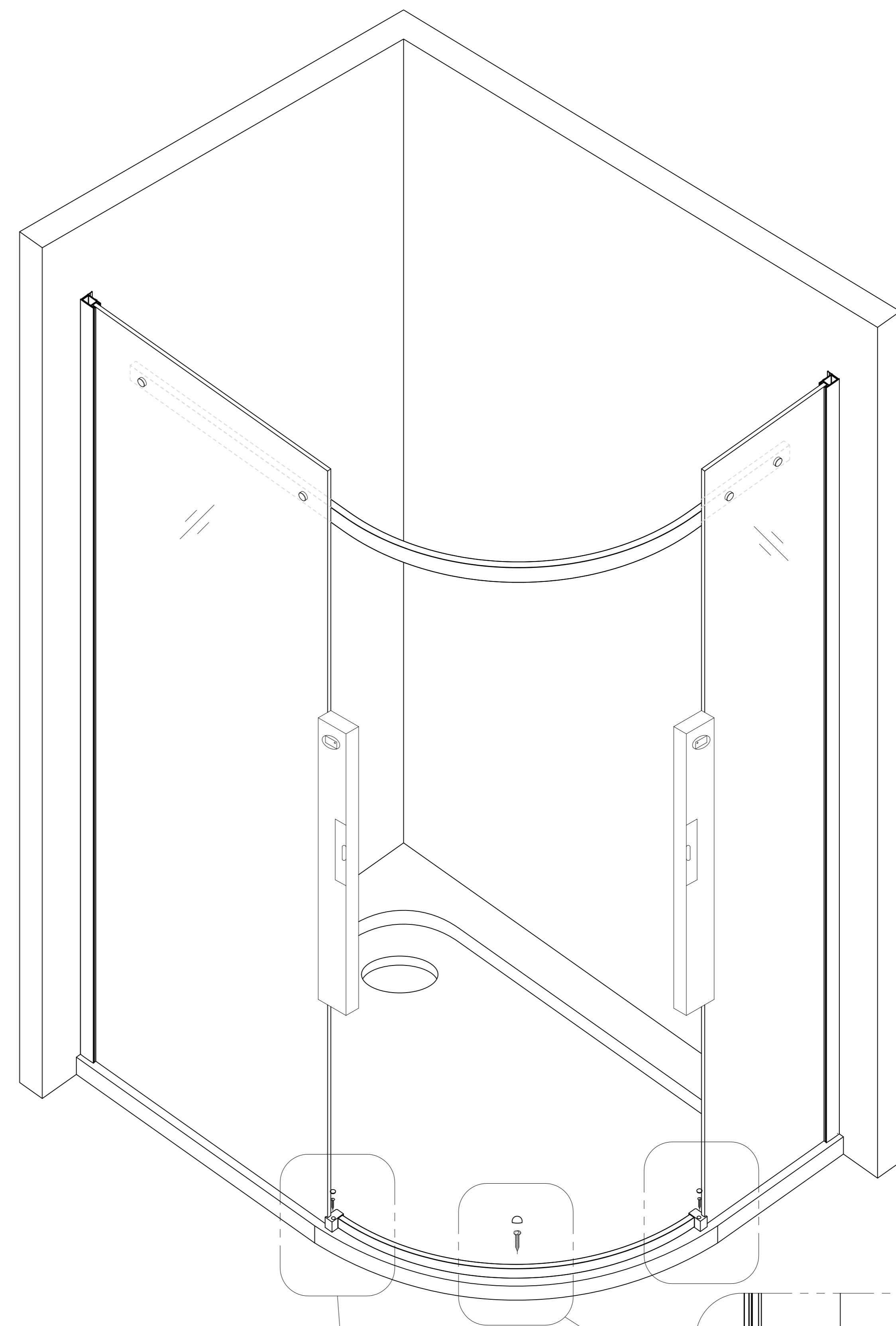
23 x2
21 x2
If the shower enclosure installed with a tray, please make holes in the tray with $\Phi 3\text{mm}$ drill and wall plugs are not required;



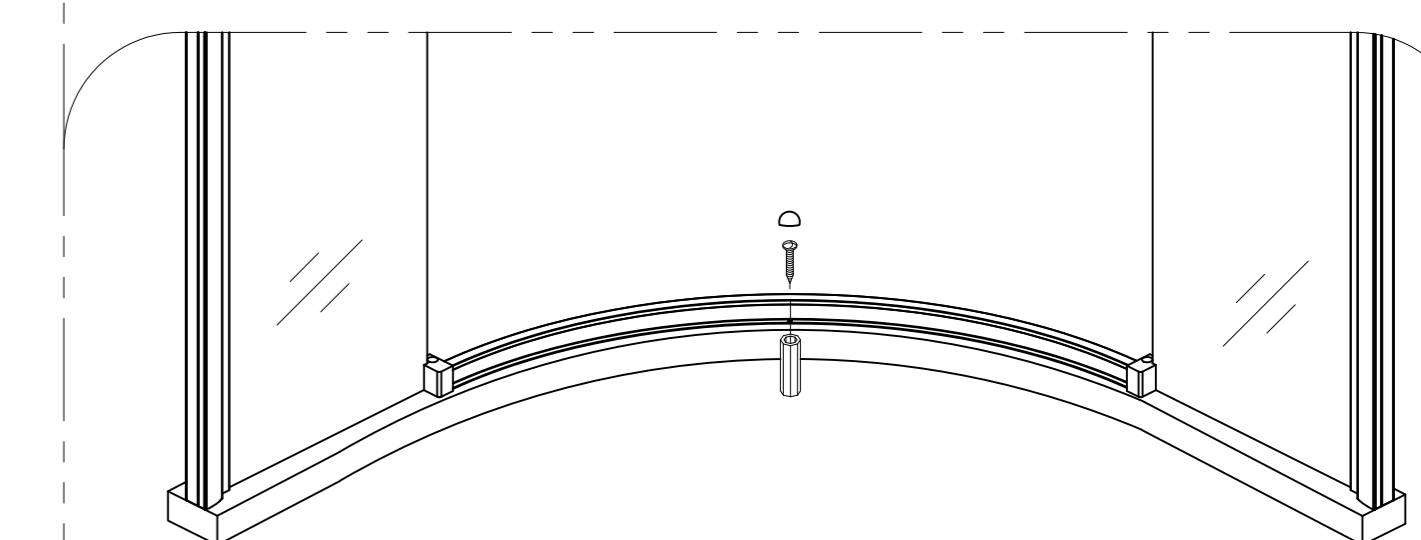
23 x2
01 x2
21 x2
If not, please make holes in the floor with $\Phi 6\text{mm}$ drill and wall plugs are required;

Install panels + frame ensuring fixing for bottom frame are screwed to the tray.

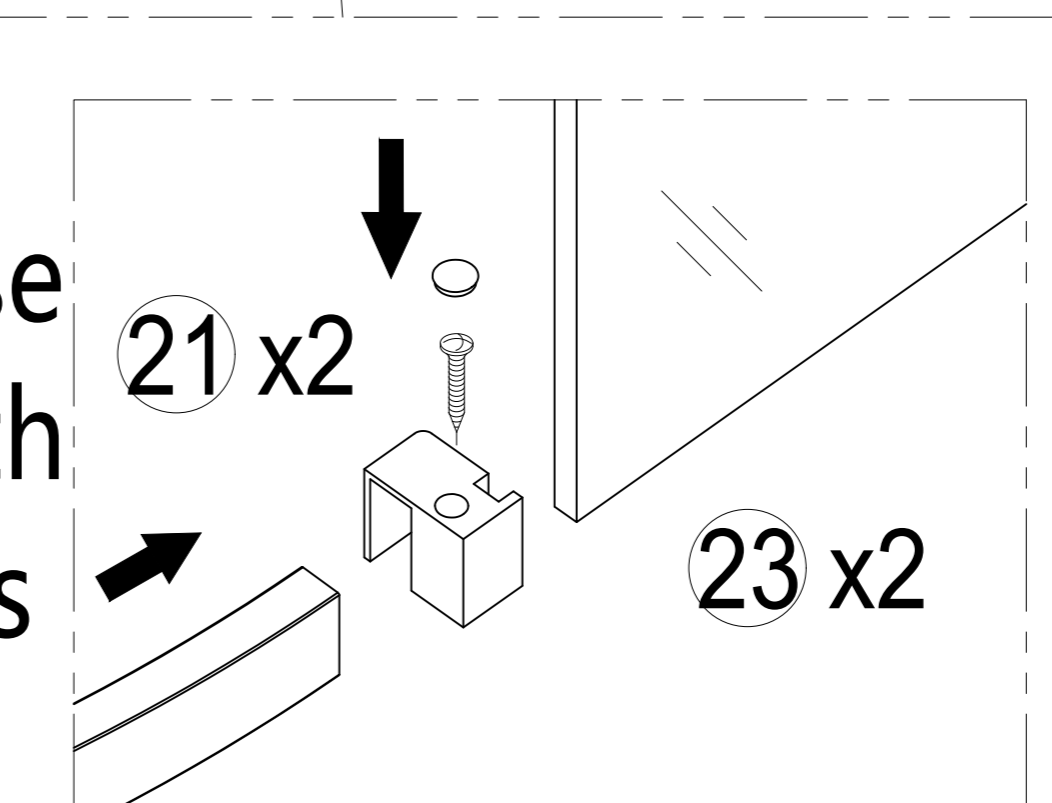
7R



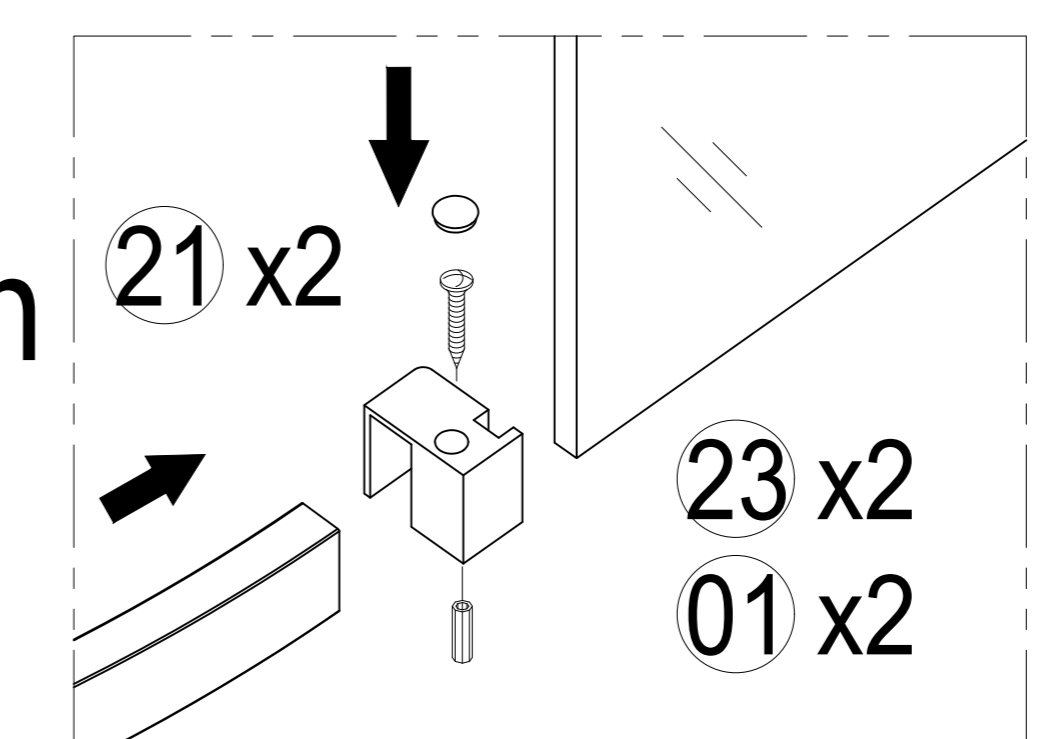
02 x1
25 x1
If the shower enclosure installed with a tray, please make holes in the tray with $\Phi 3\text{mm}$ drill and wall plugs are not required;



02 x1
25 x1
01 x1
If not, please make holes in the floor with $\Phi 6\text{mm}$ drill and wall plugs are required;



23 x2
21 x2
If the shower enclosure installed with a tray, please make holes in the tray with $\Phi 3\text{mm}$ drill and wall plugs are not required;

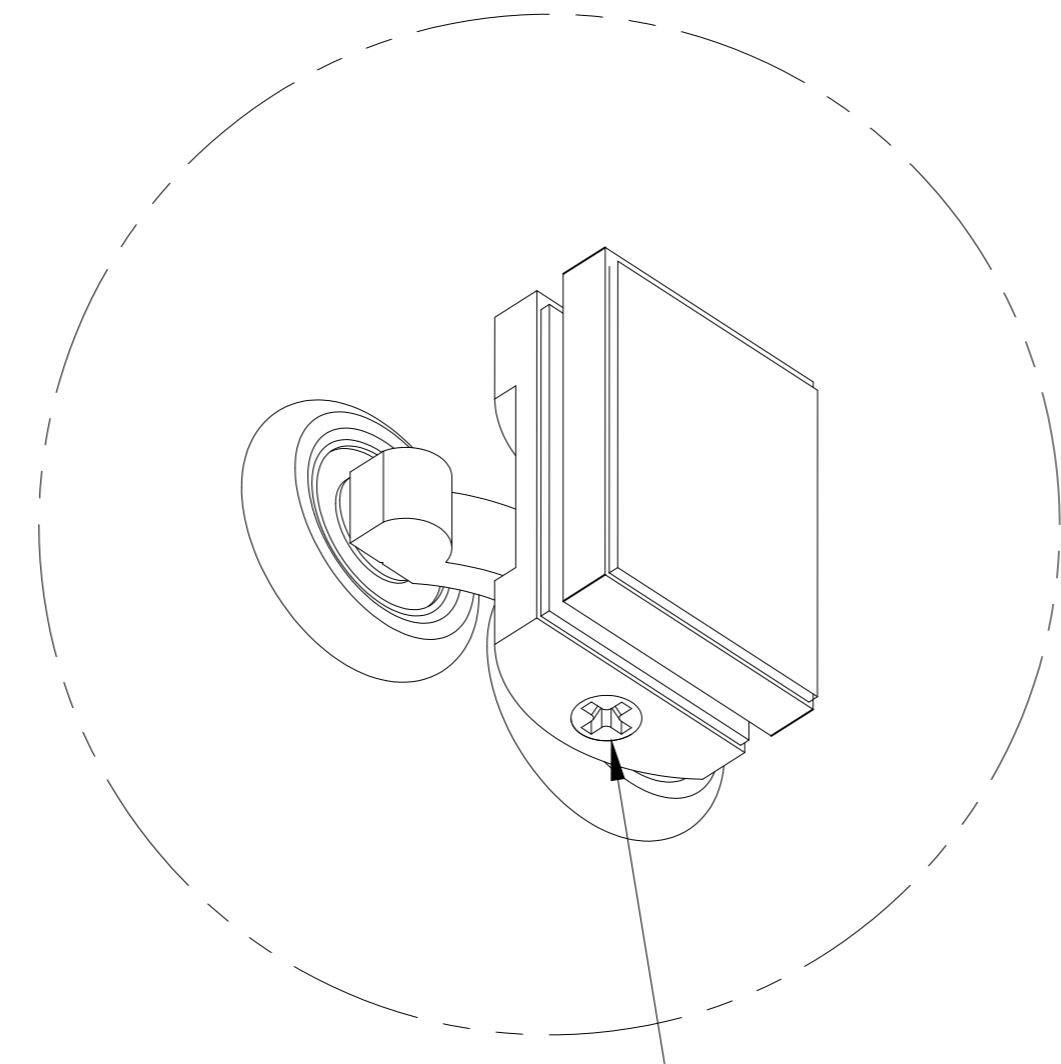


23 x2
01 x2
21 x2
If not, please make holes in the floor with $\Phi 6\text{mm}$ drill and wall plugs are required;

Install panels + frame ensuring fixing for bottom frame are screwed to the tray.

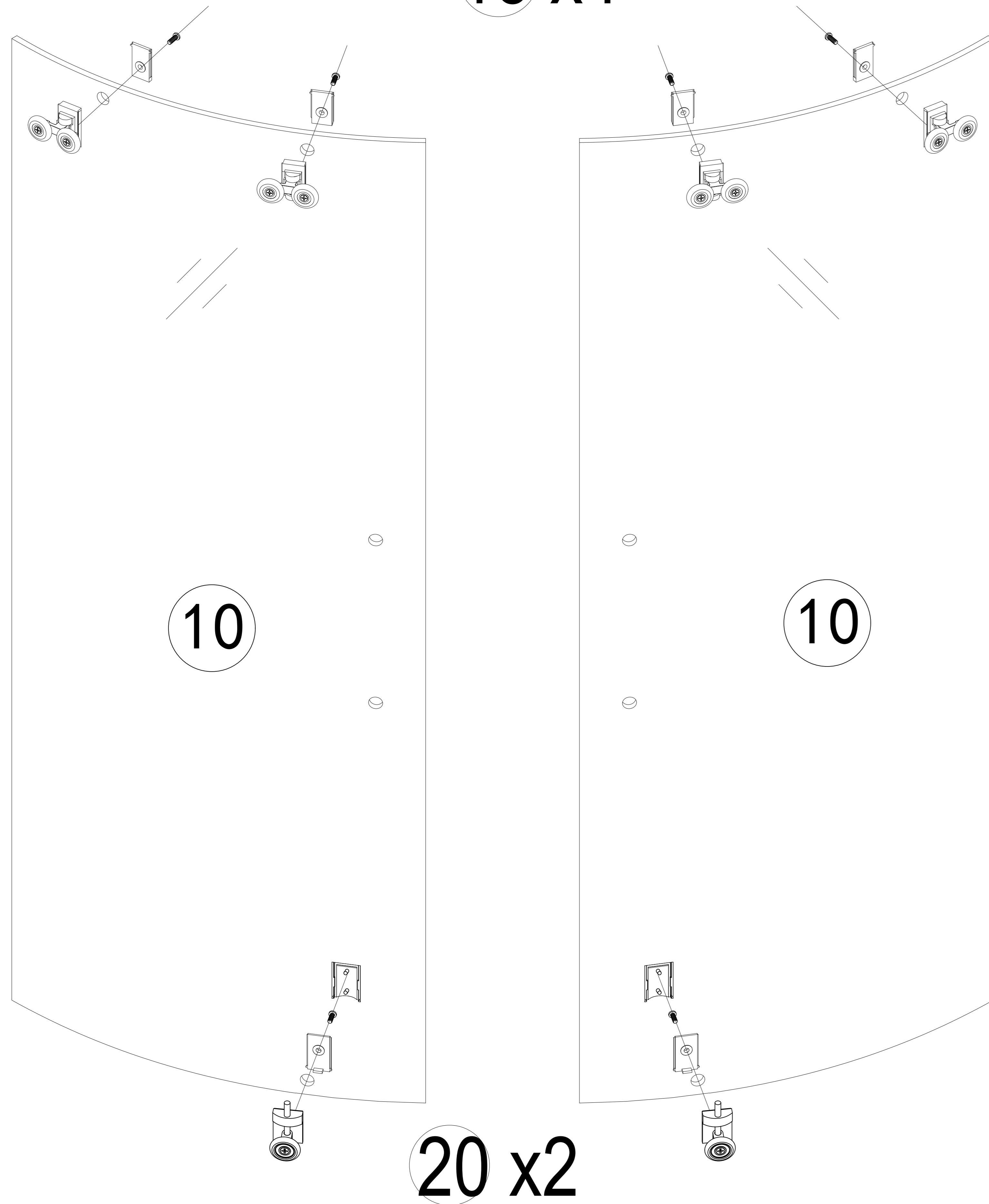
8L

Pls don't fully tighten the roller screws.



This side faces downward

15 x4

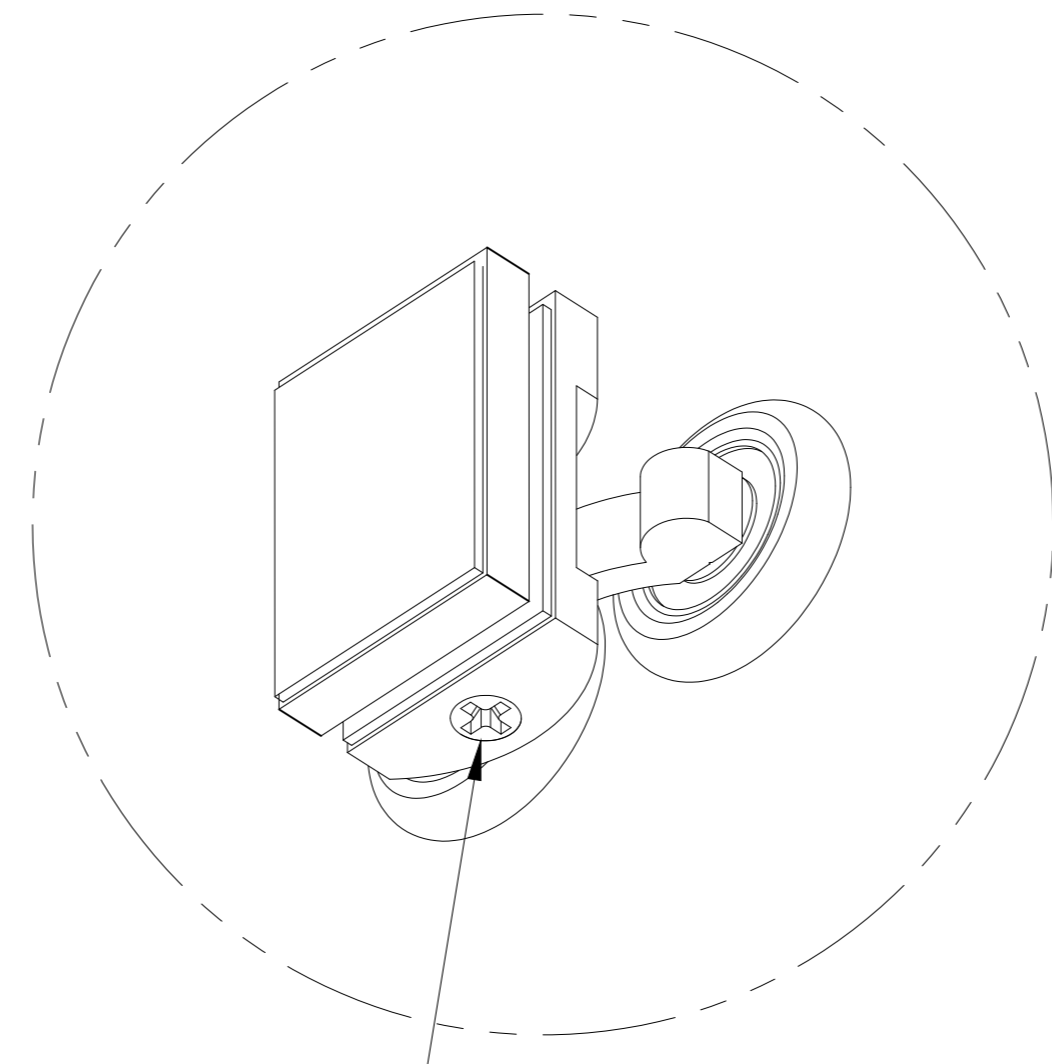


20 x2

Fit rollers to door

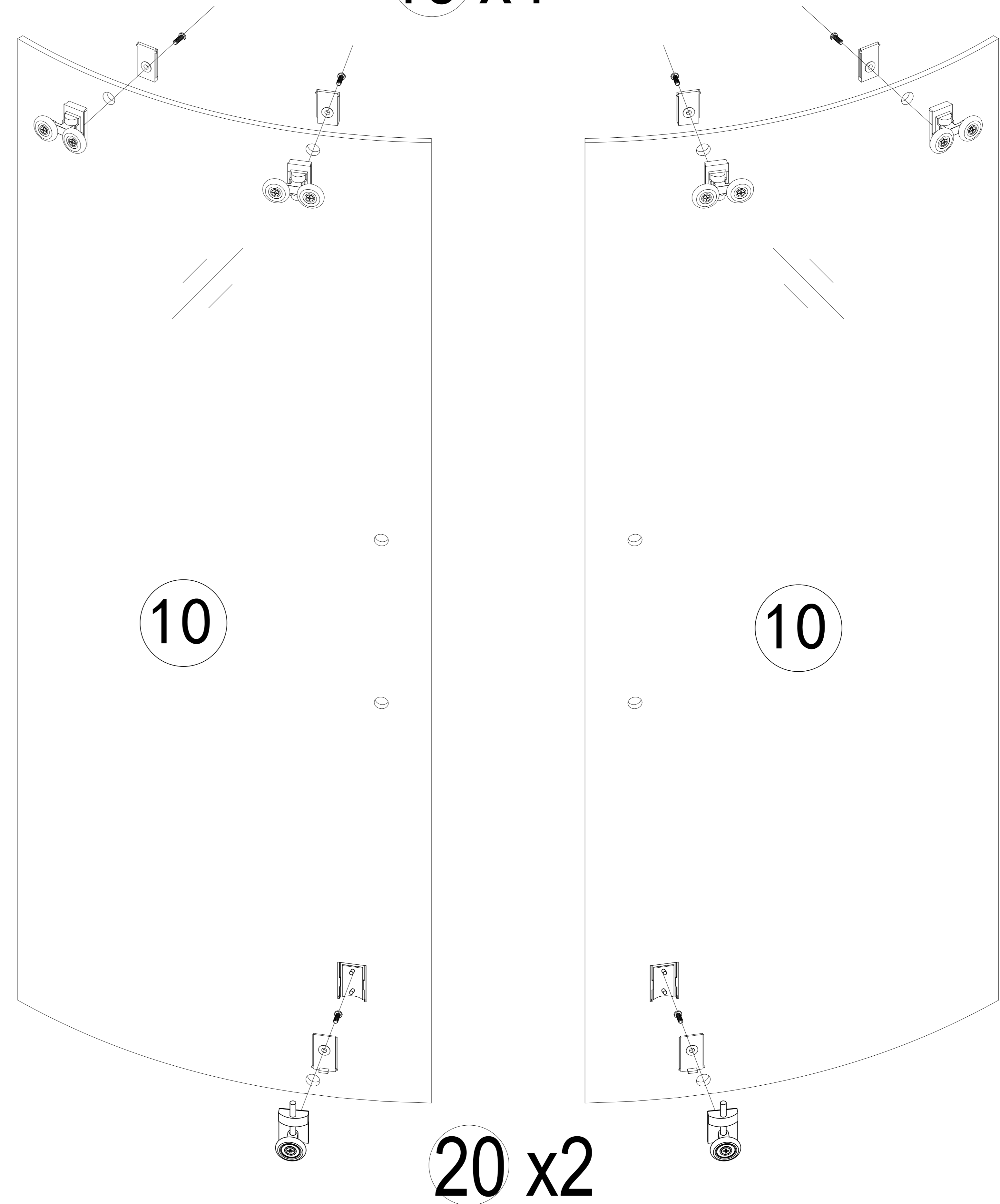
8R

Pls don't fully tighten the roller screws.



This side faces downward

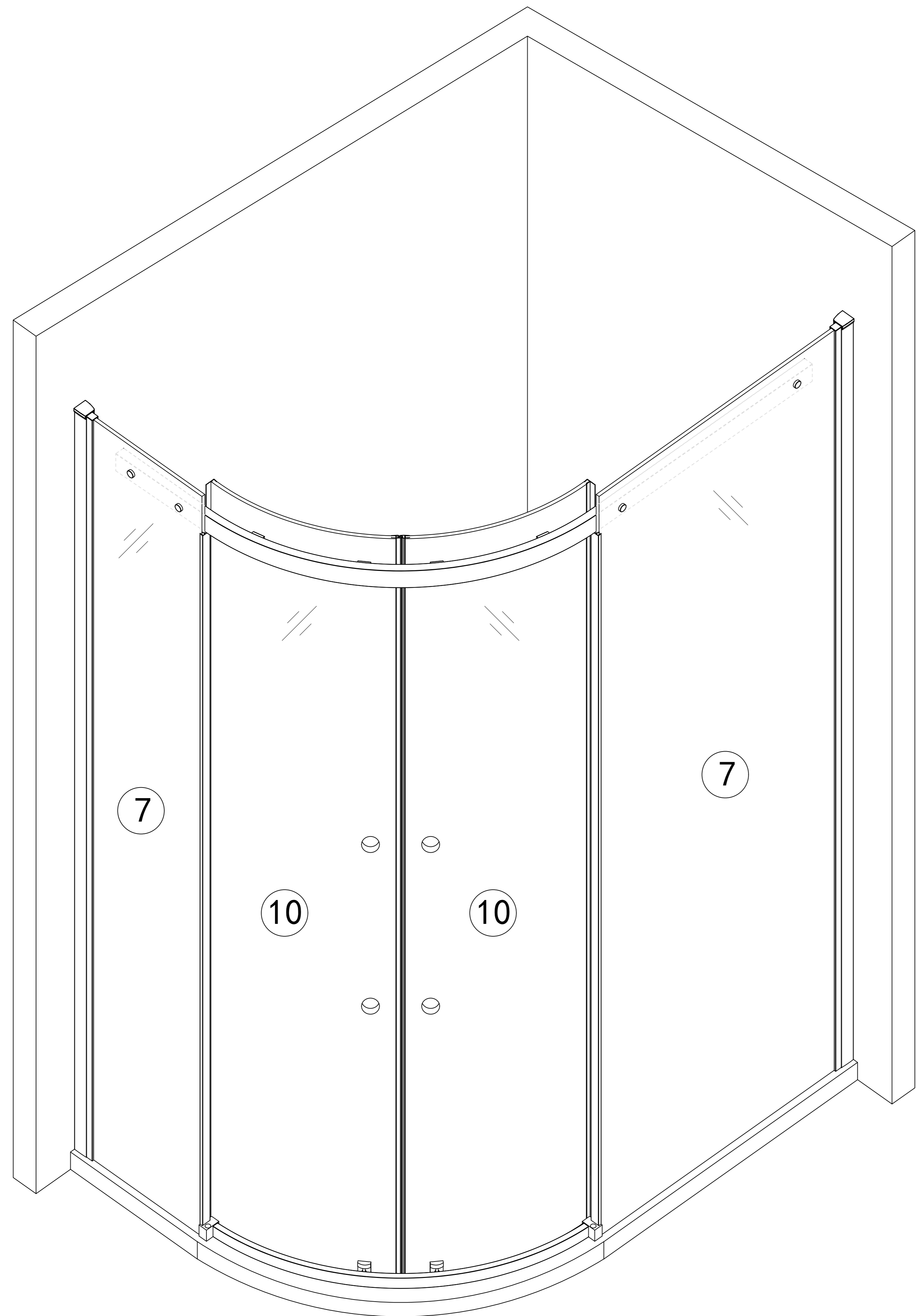
15 x4



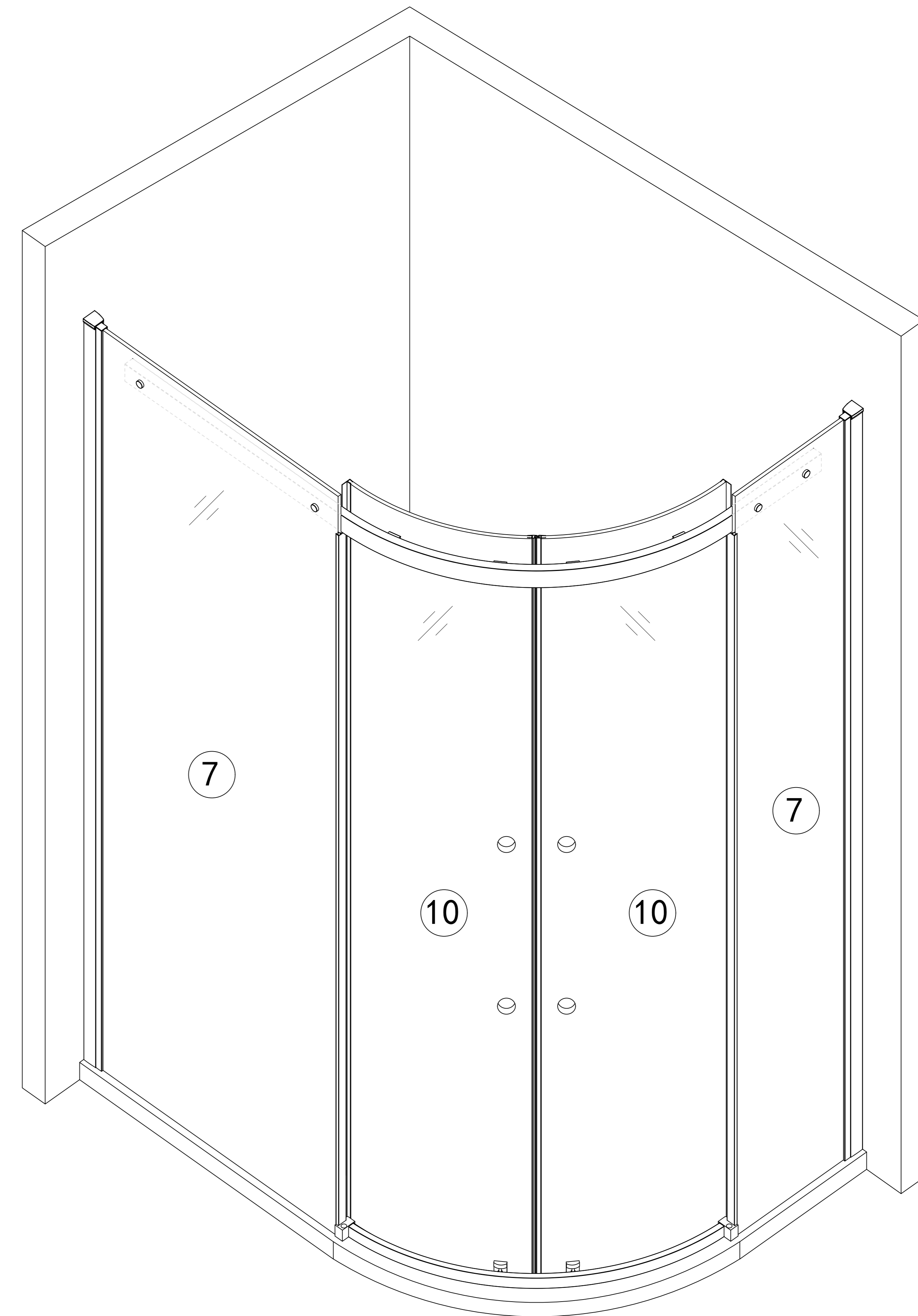
20 x2

Fit rollers to door

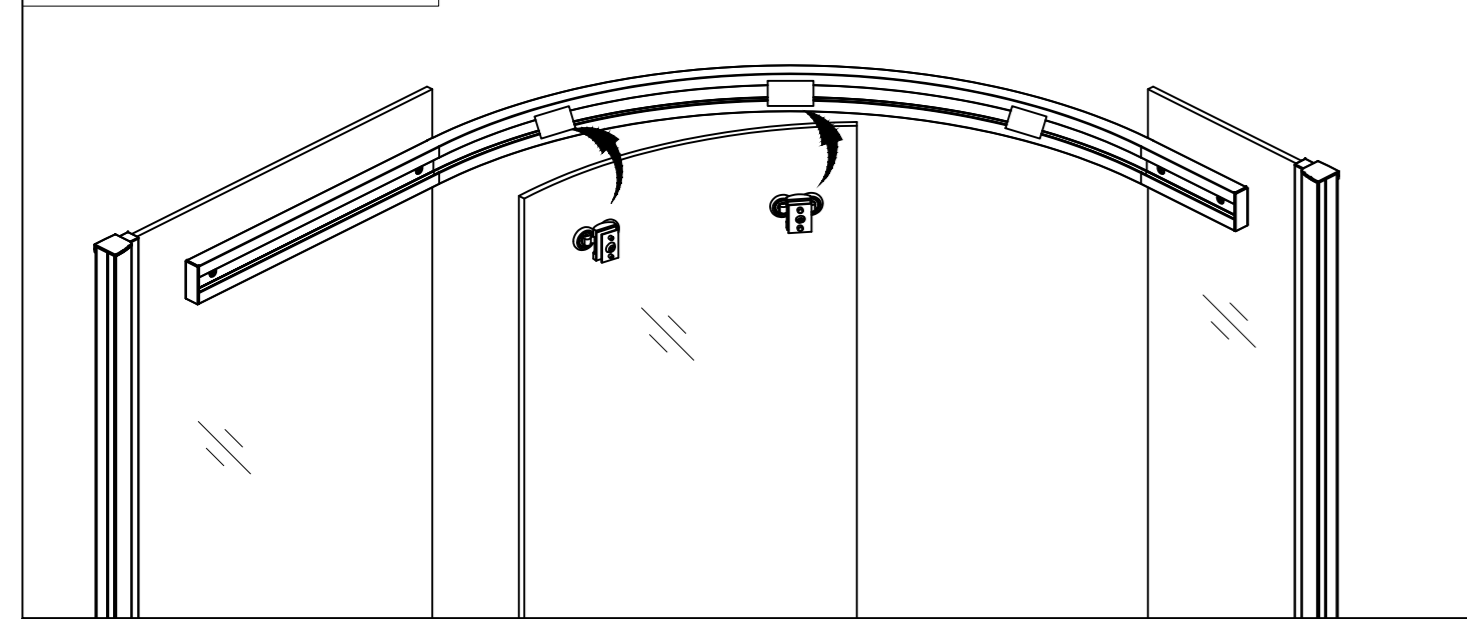
9L



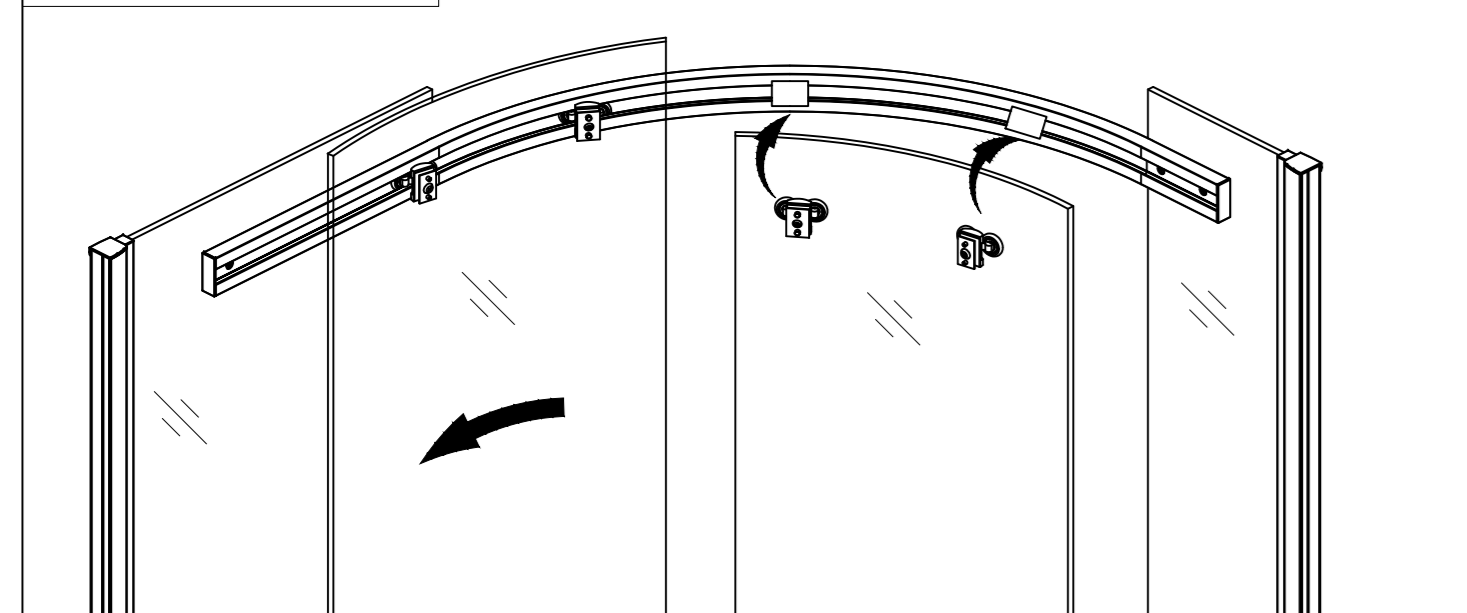
9R



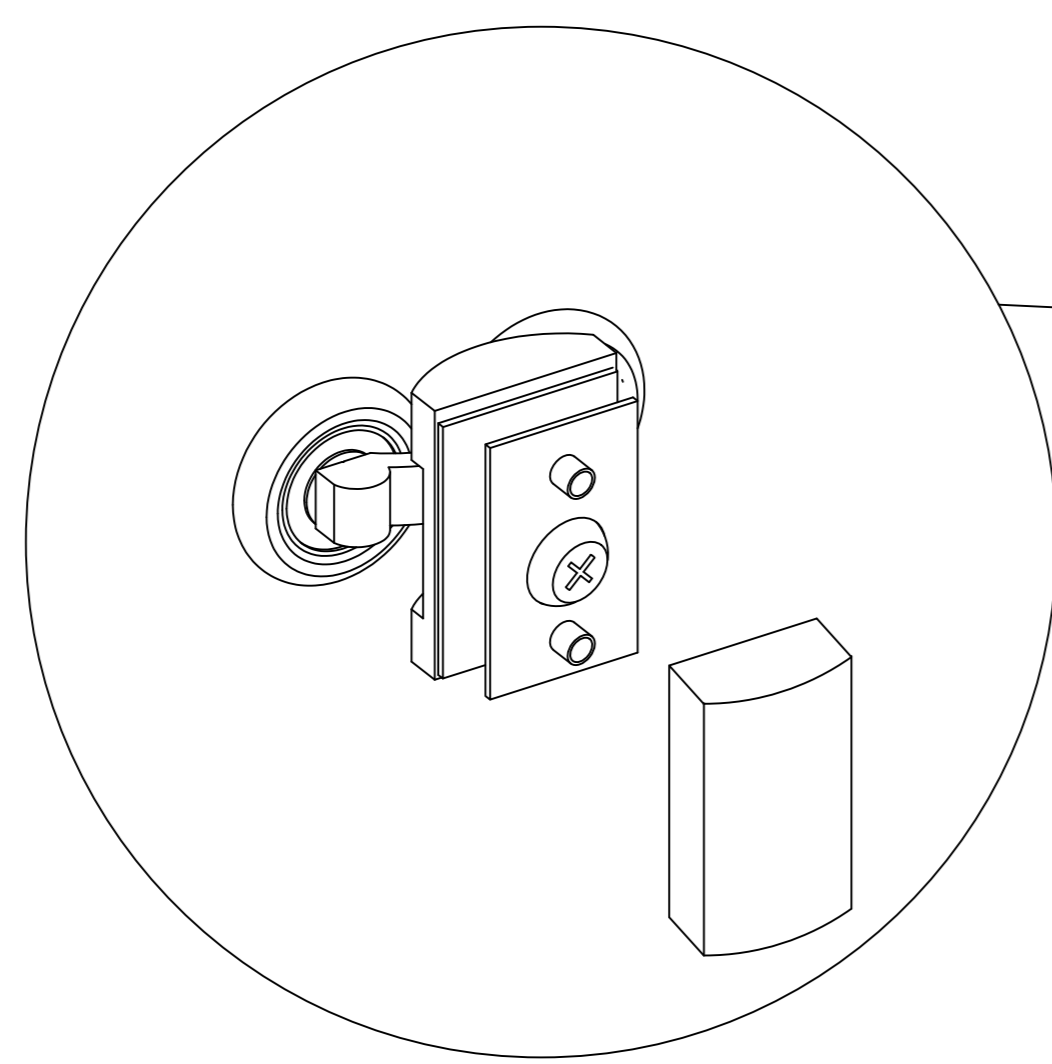
9-1



9-2

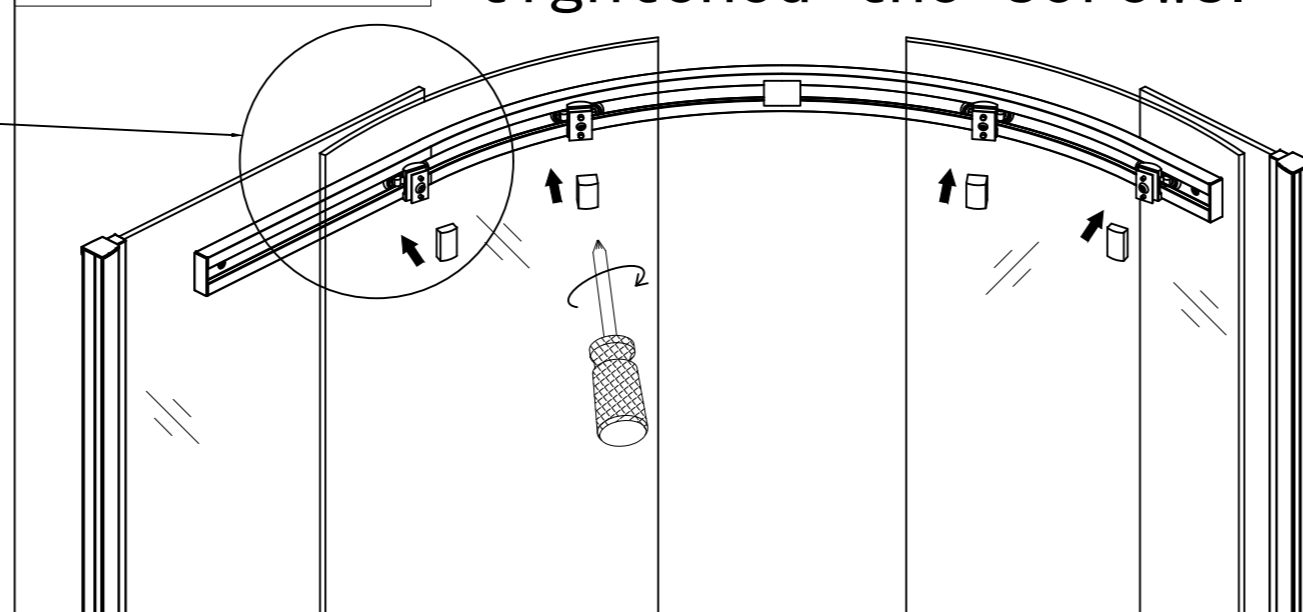


Fit doors onto frame



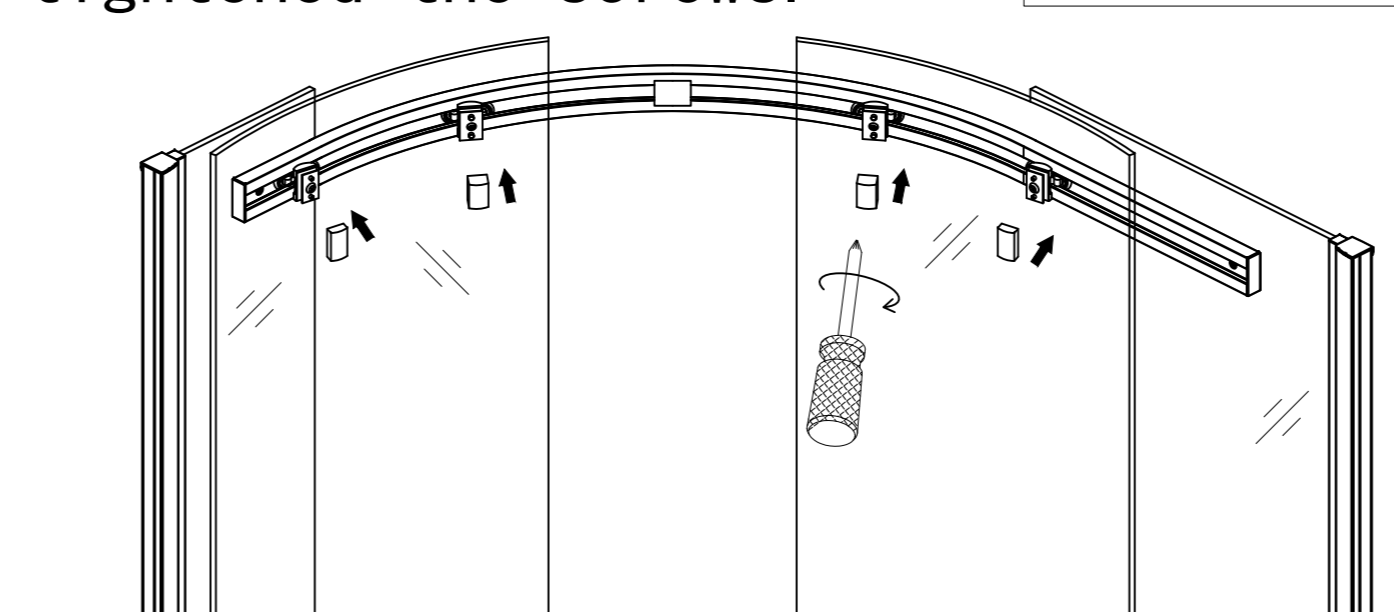
9-3

Pls make sure the rollers are level before well tightened the screws.

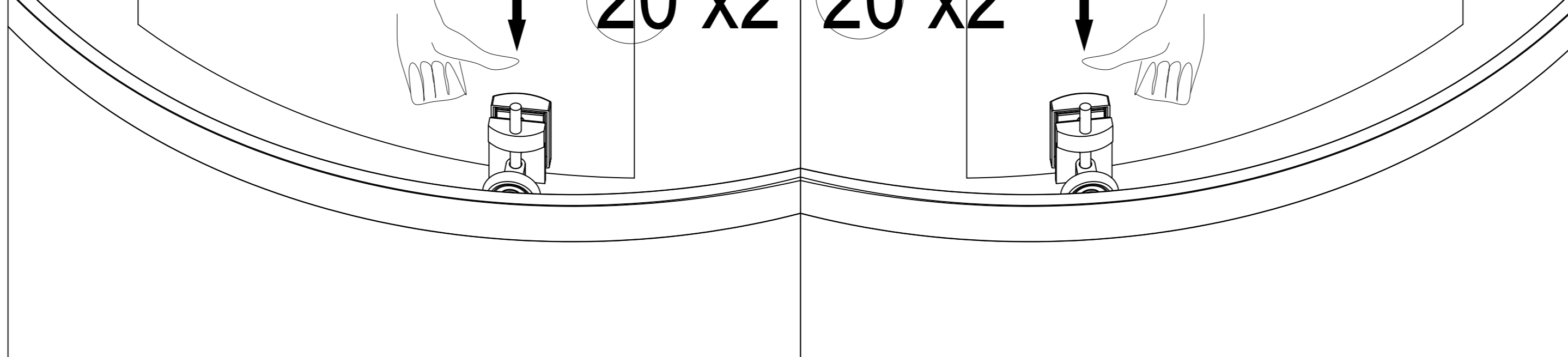


9-3

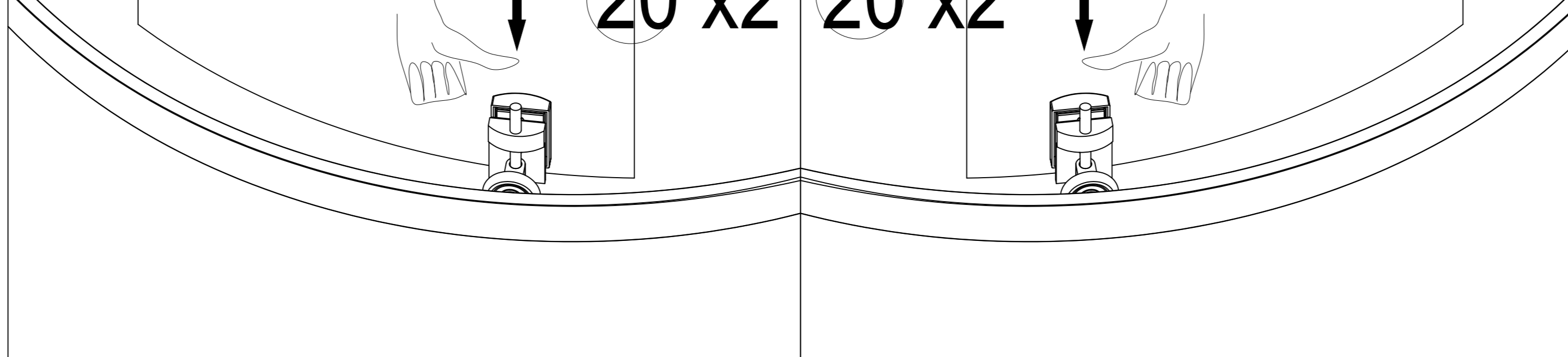
Pls make sure the rollers are level before well tightened the screws.



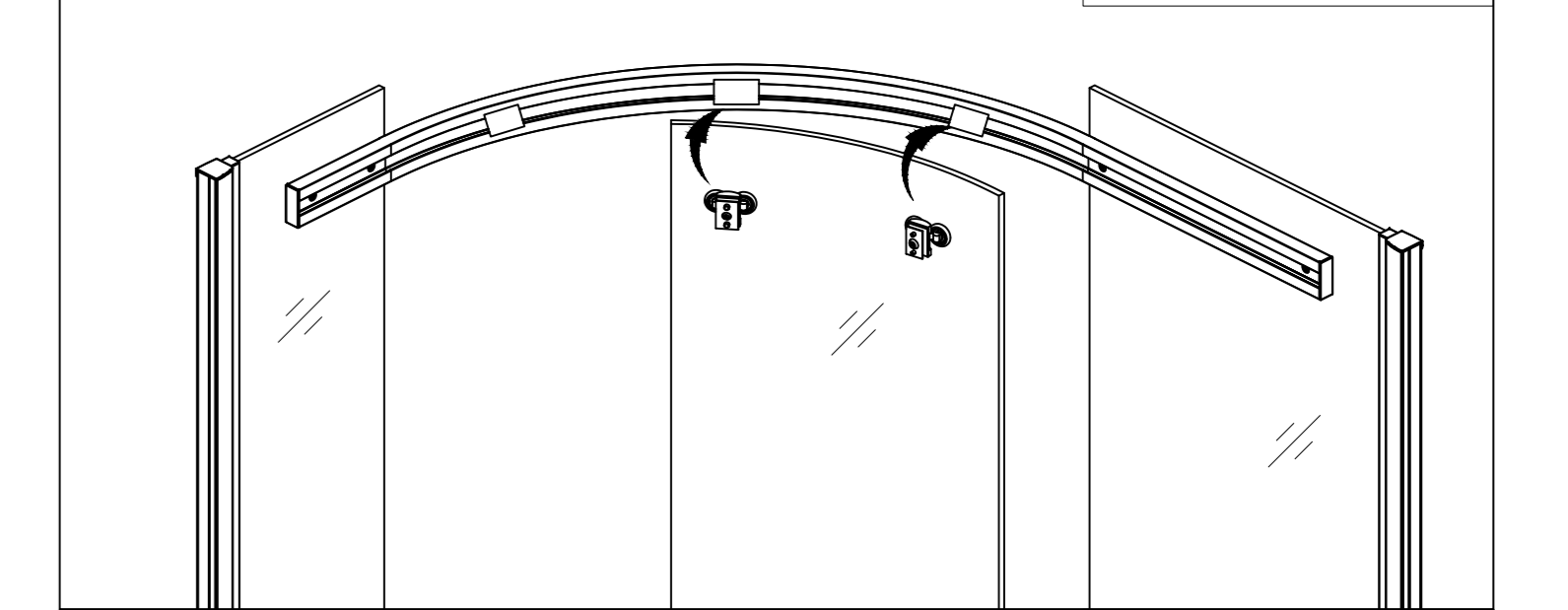
9-4



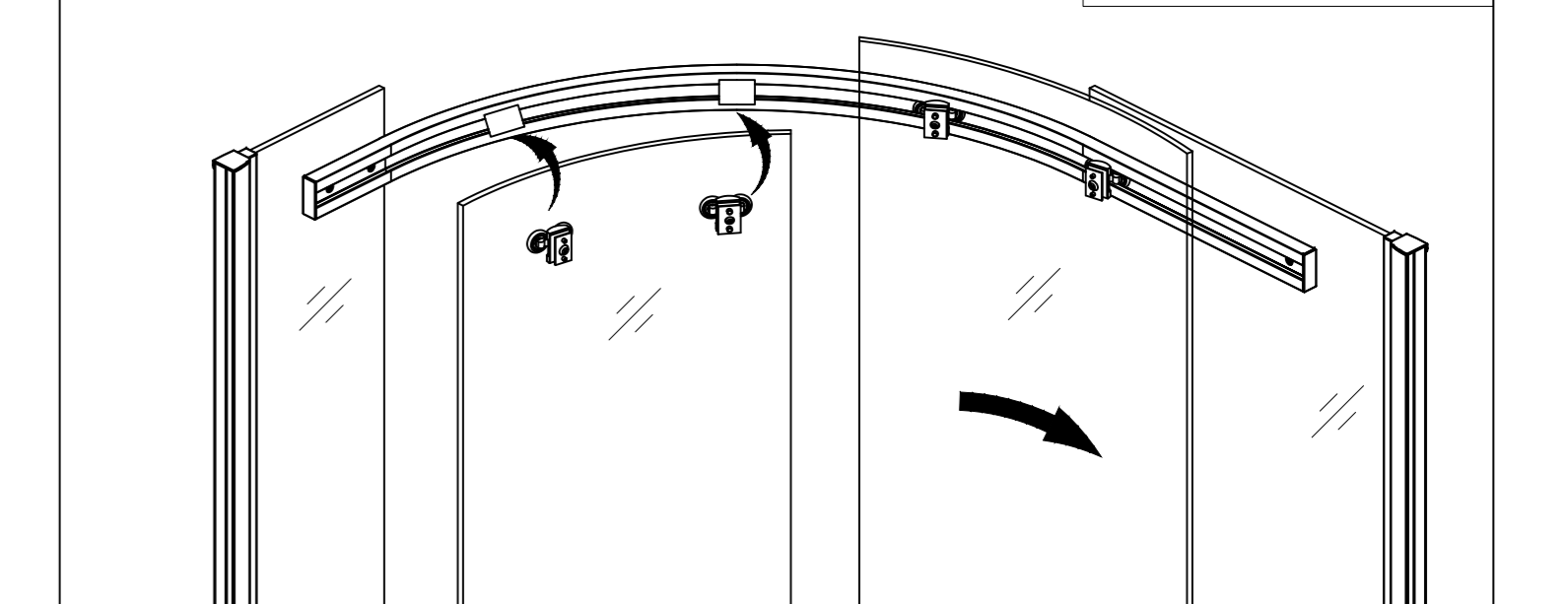
9-4



9-1



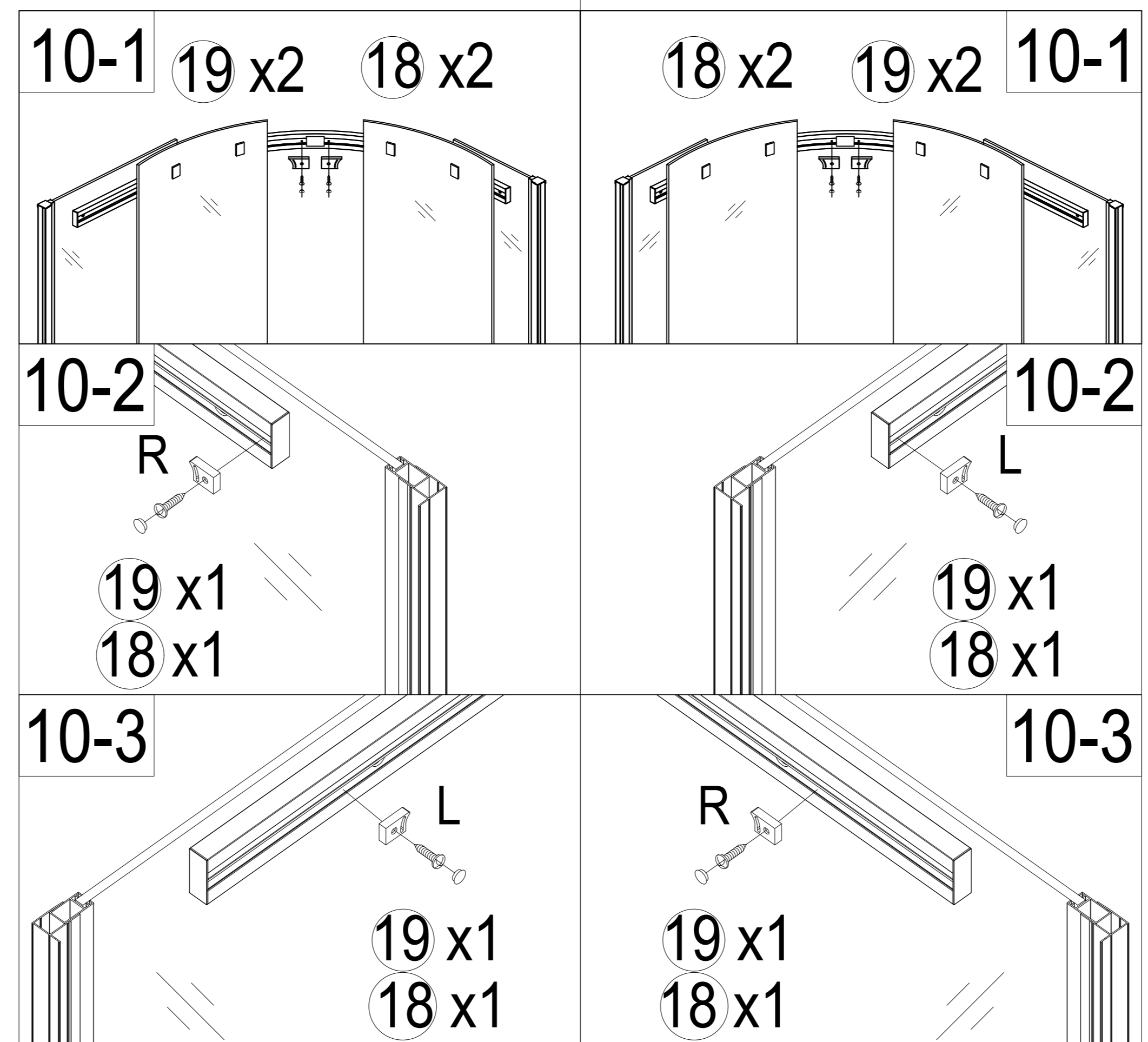
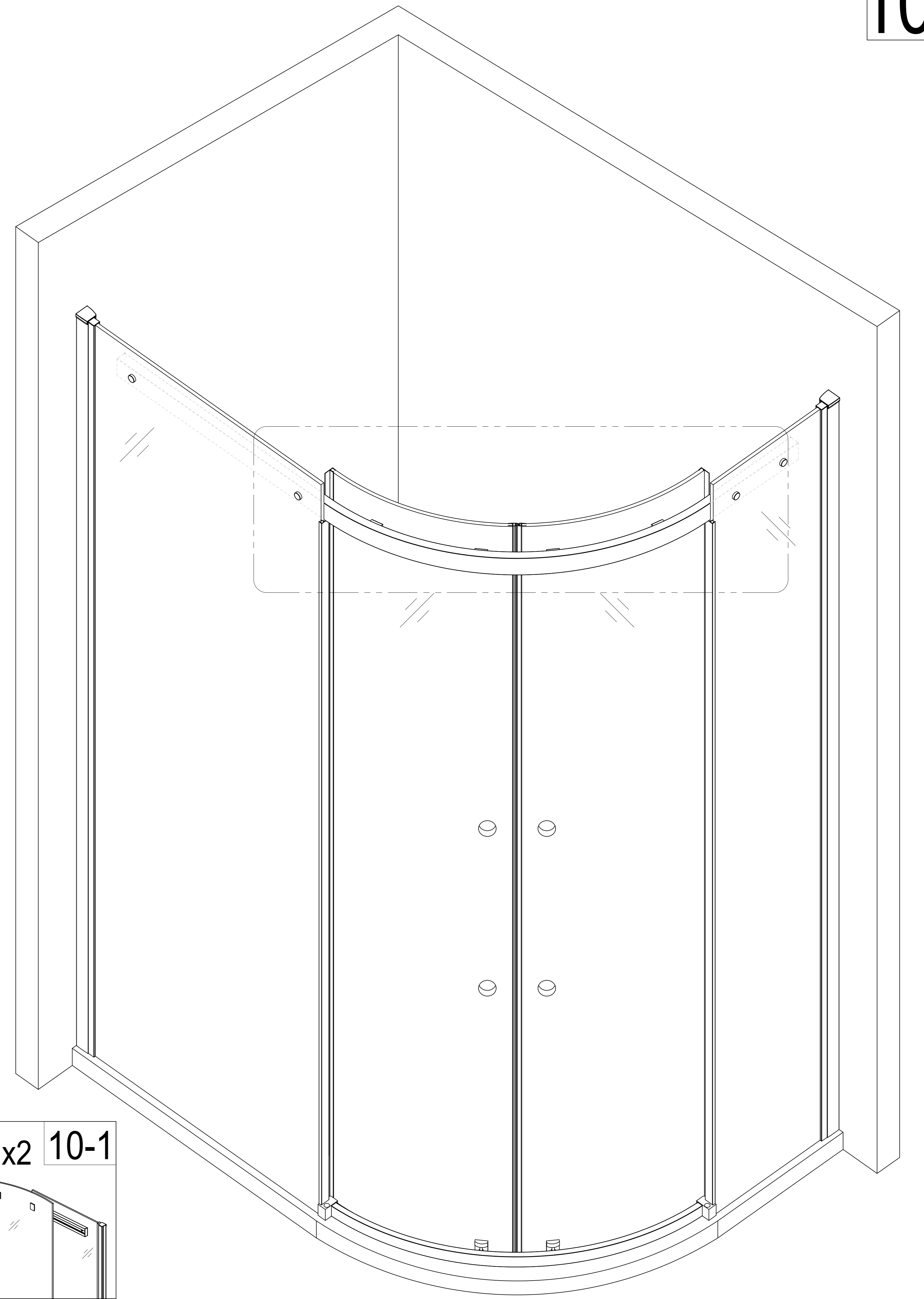
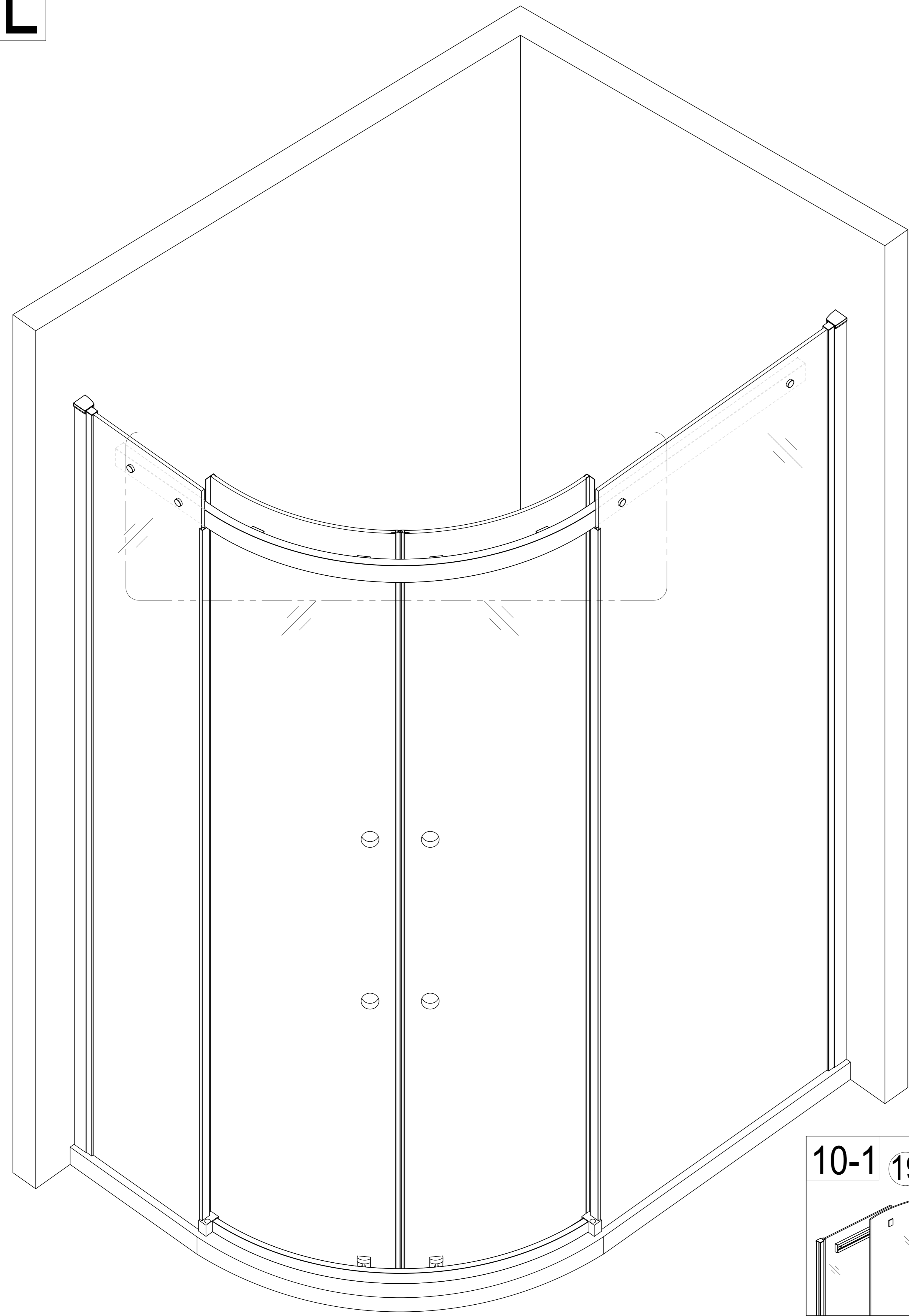
9-2



Fit doors onto frame

10L

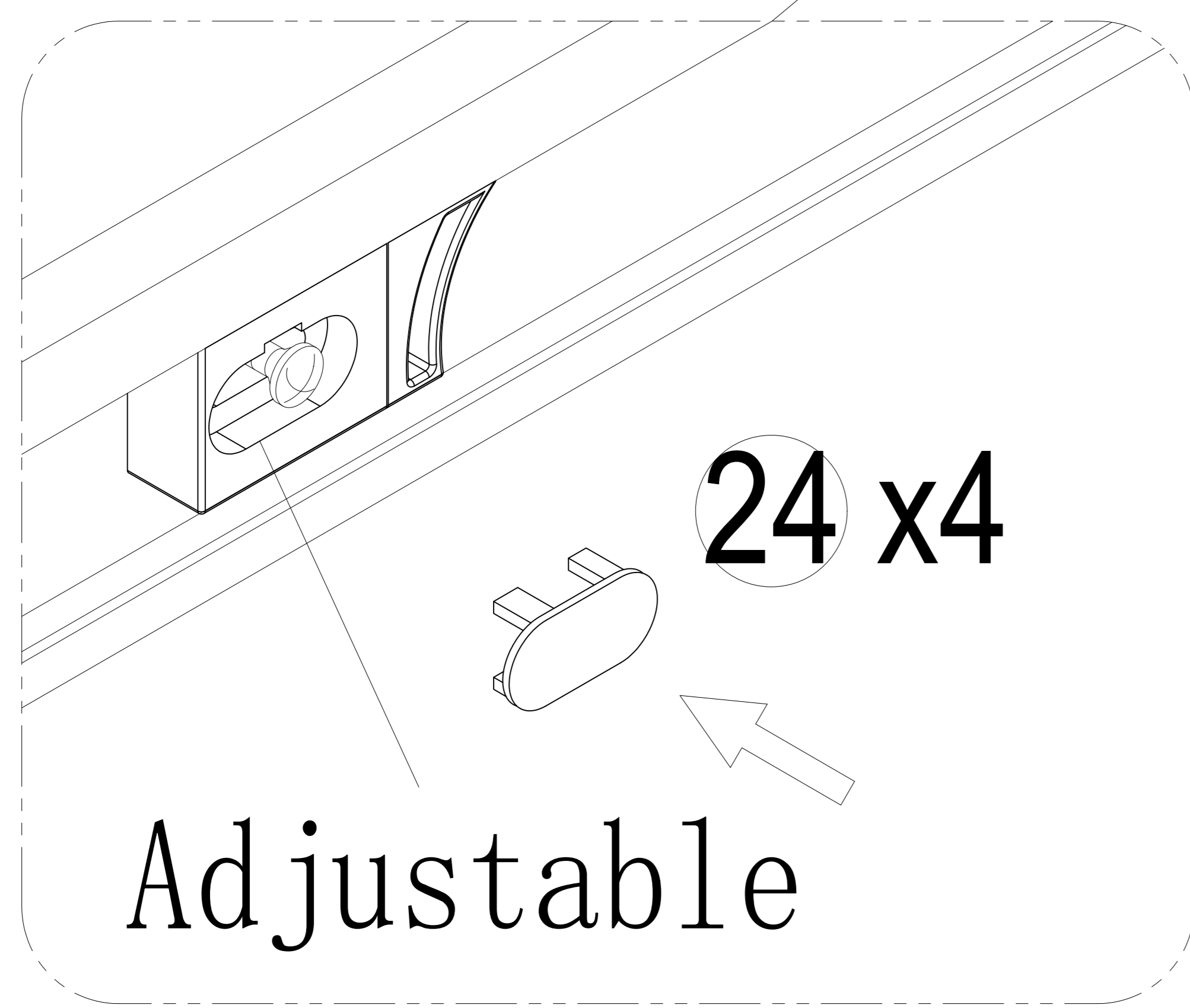
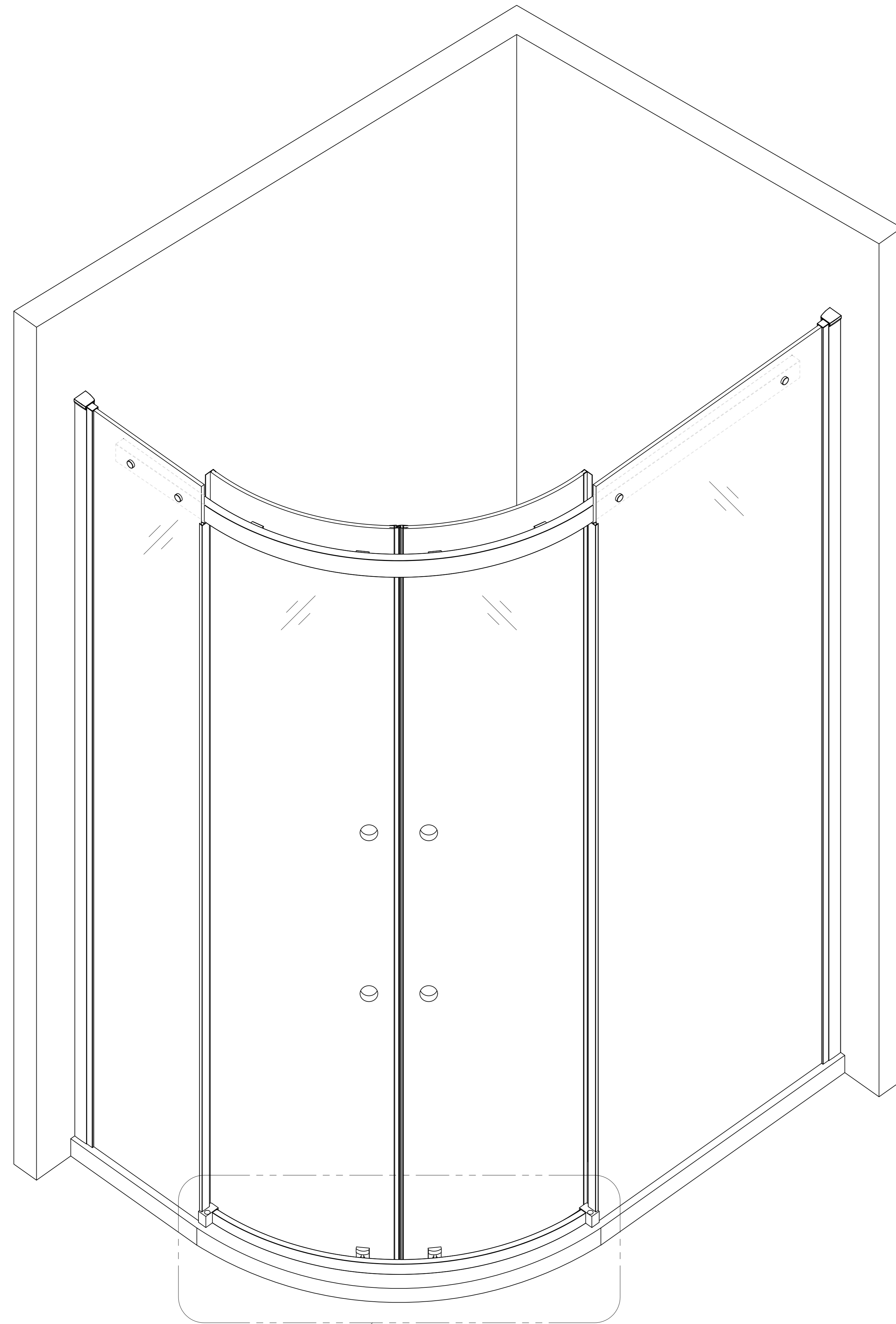
10R



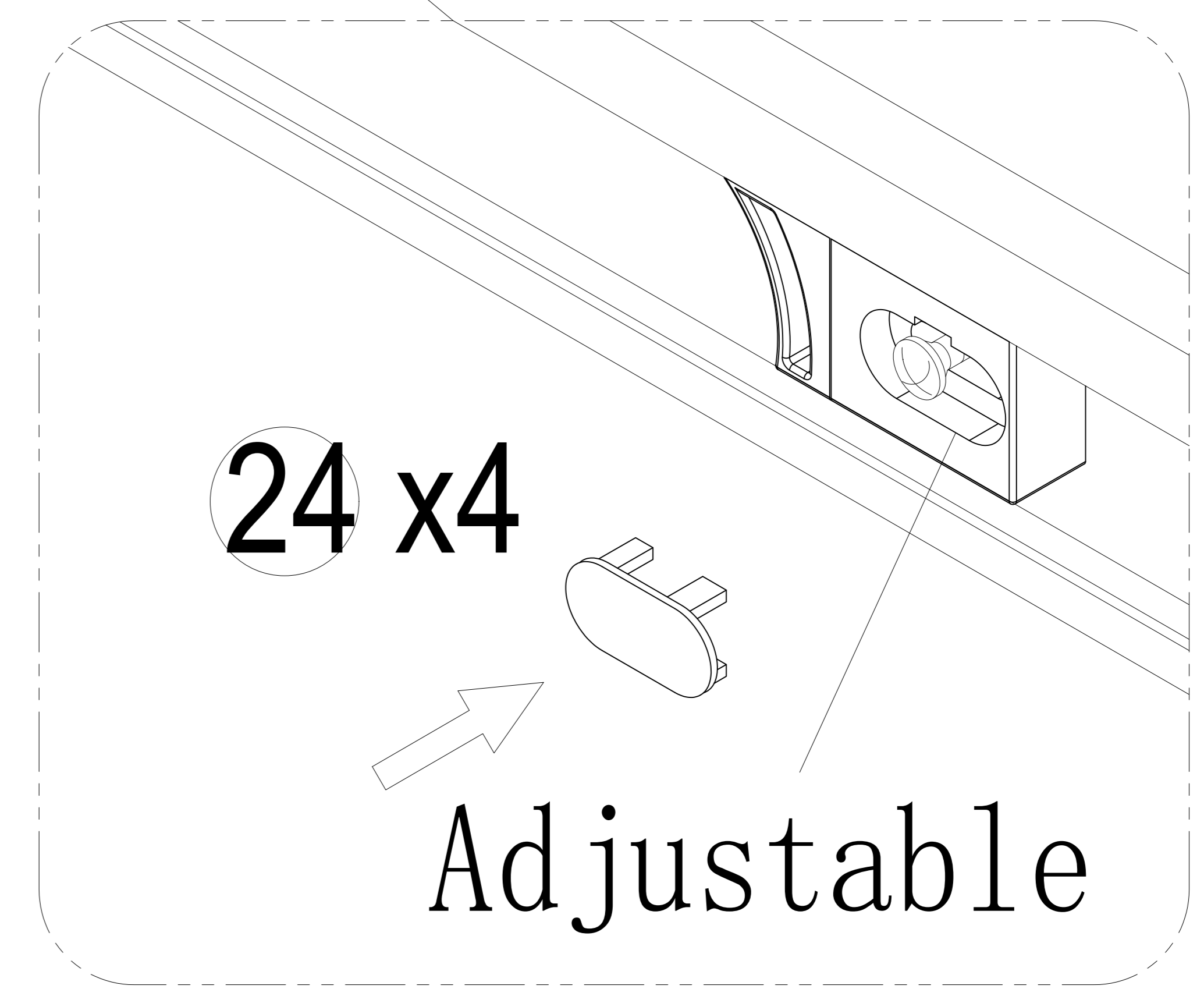
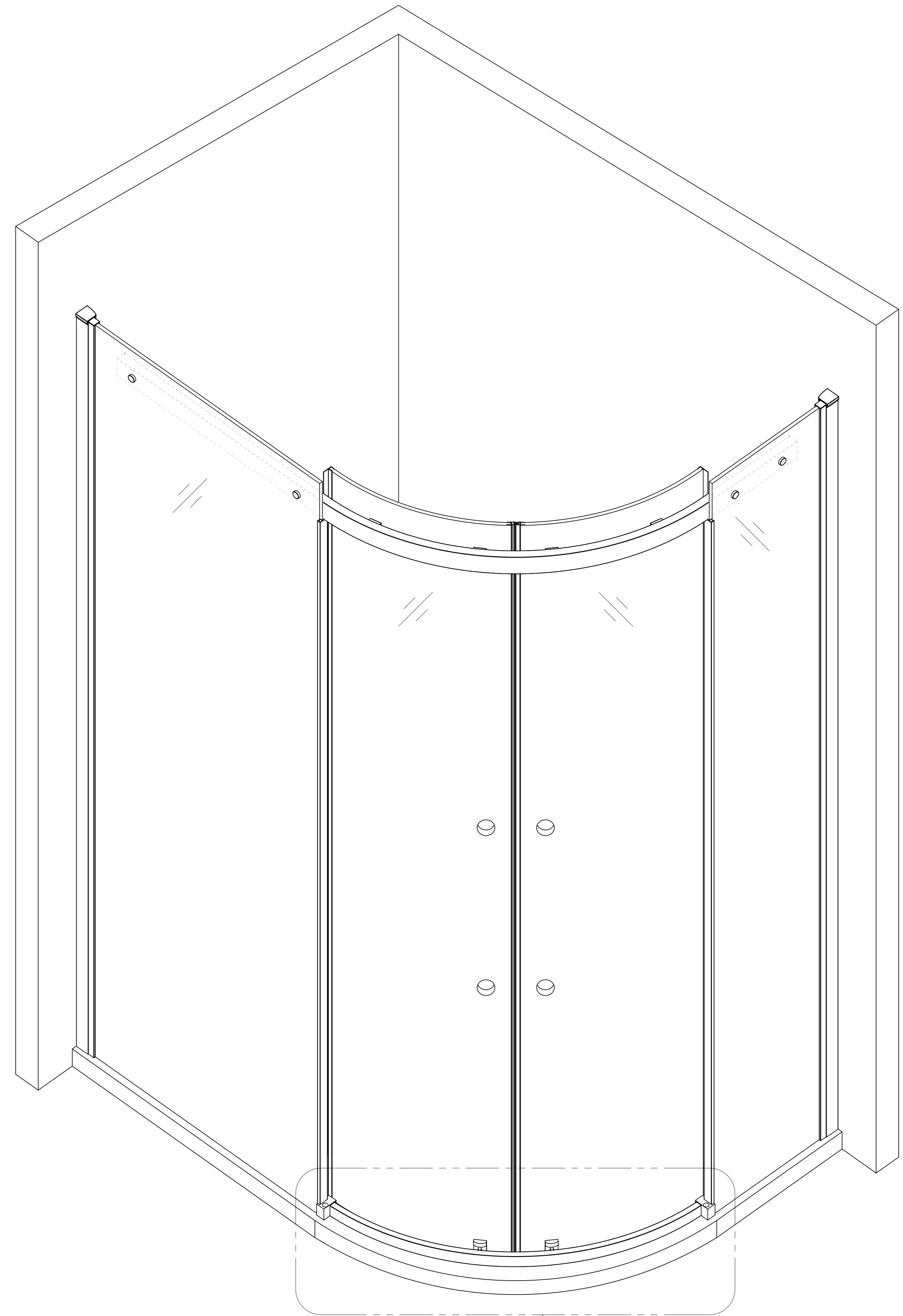
Add door stops to top rail

Add door stops to top rail

11L

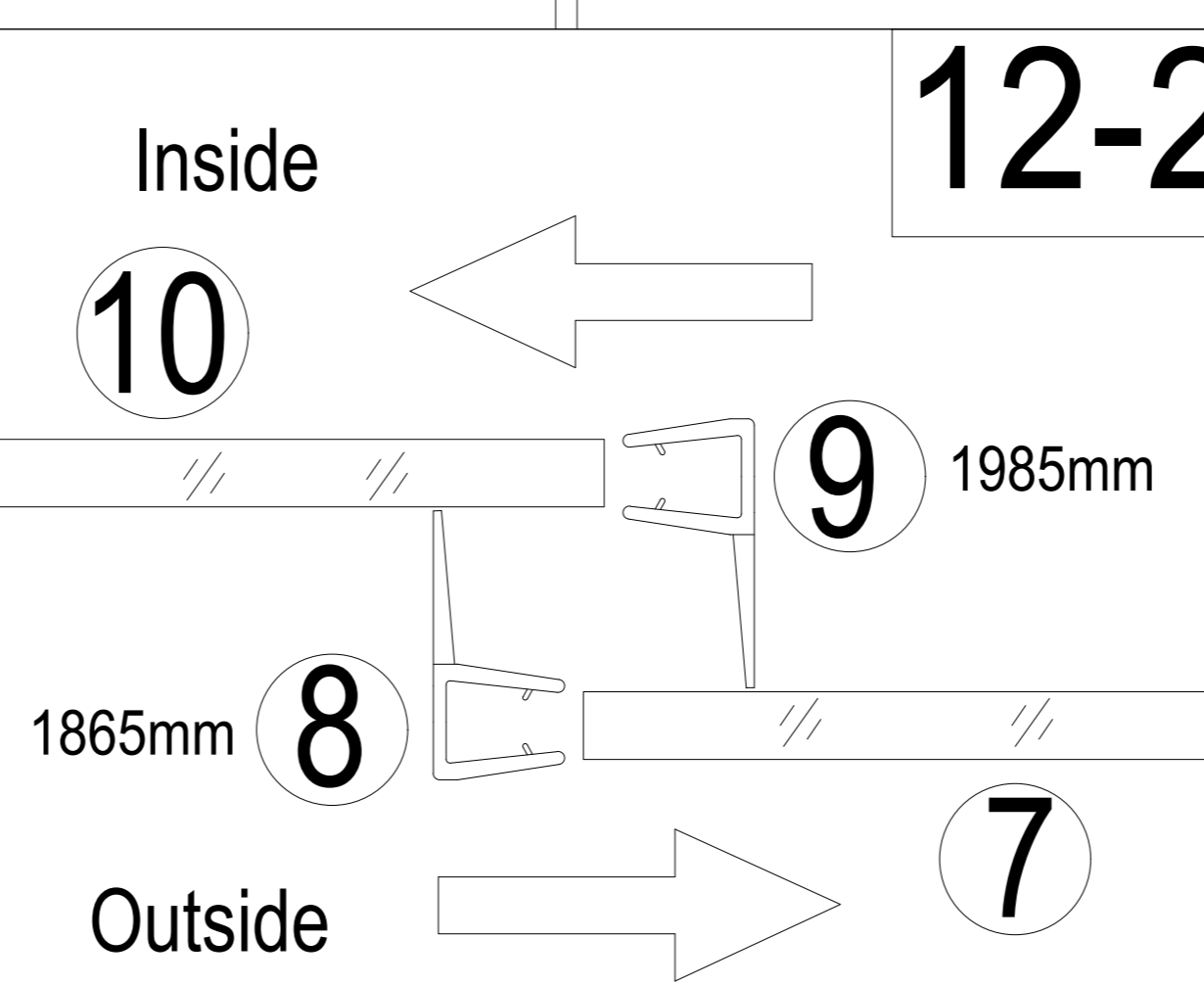
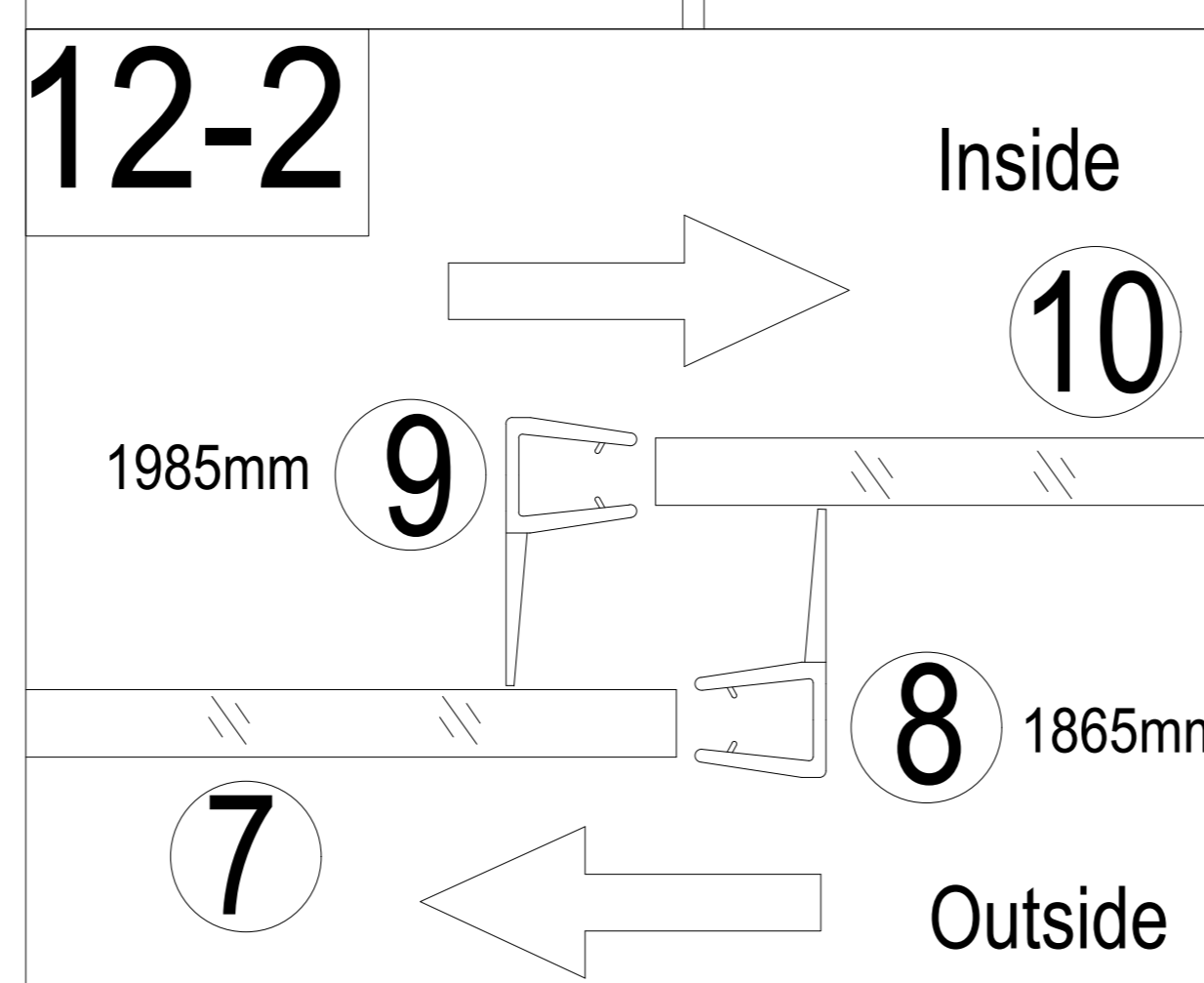
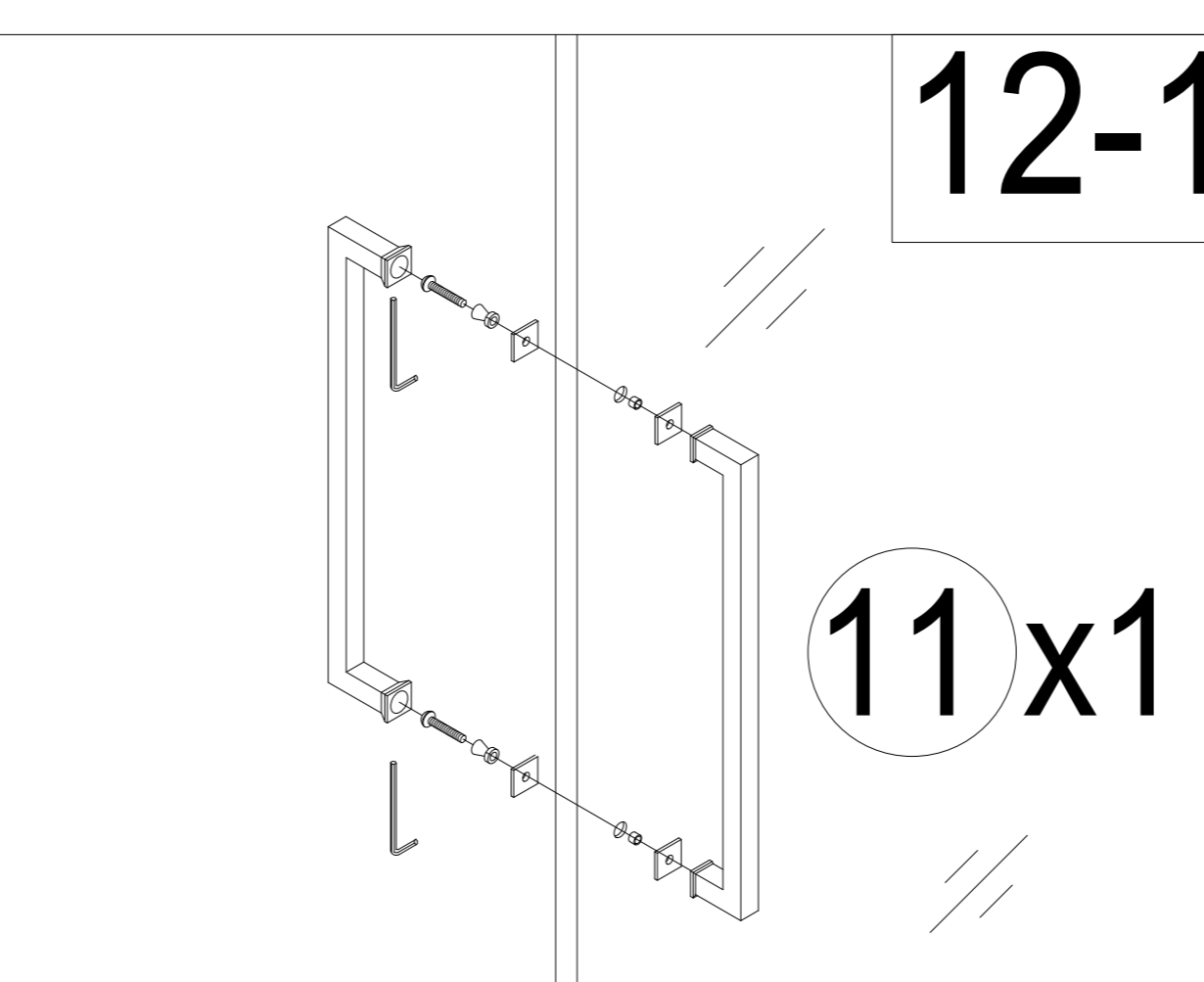
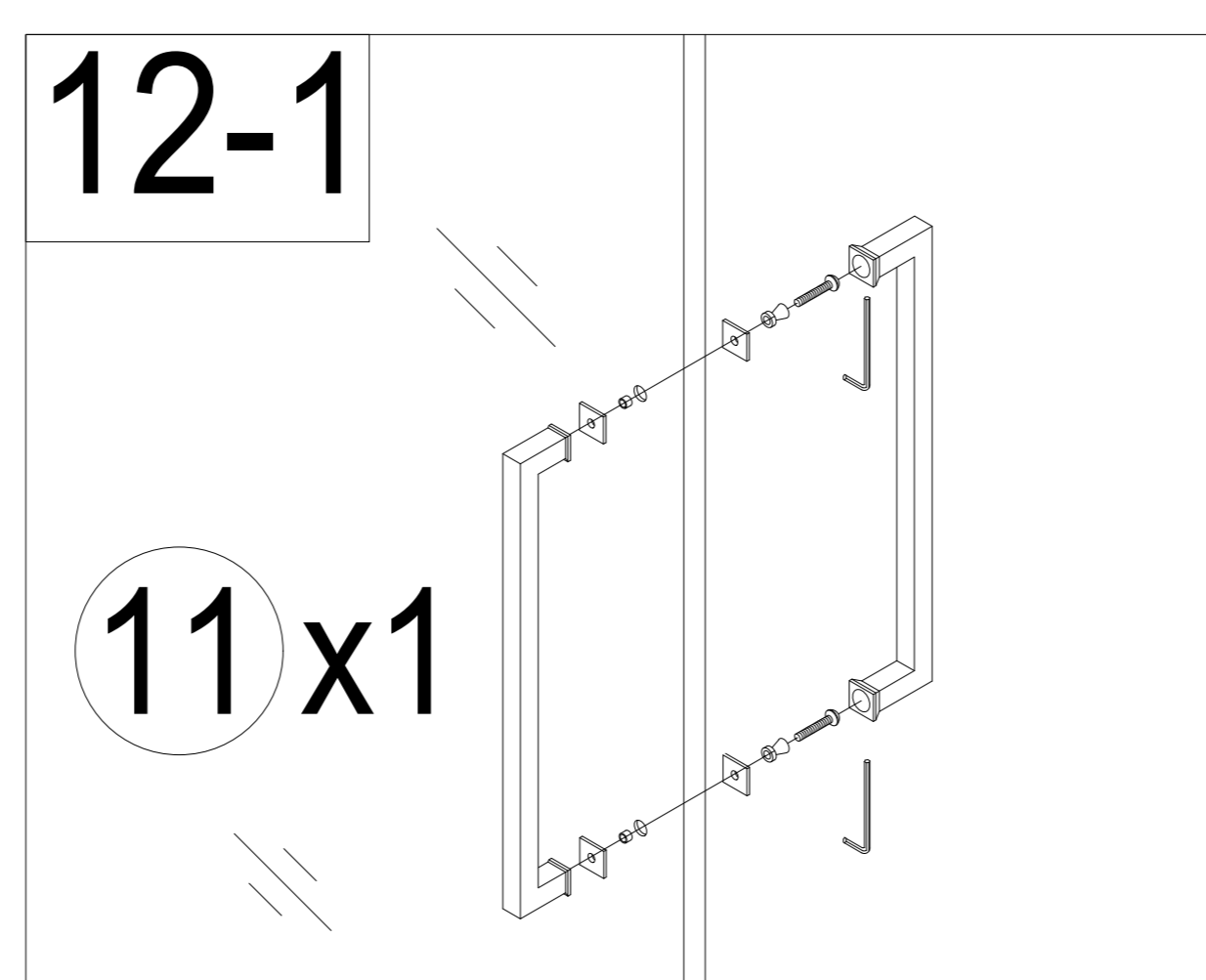
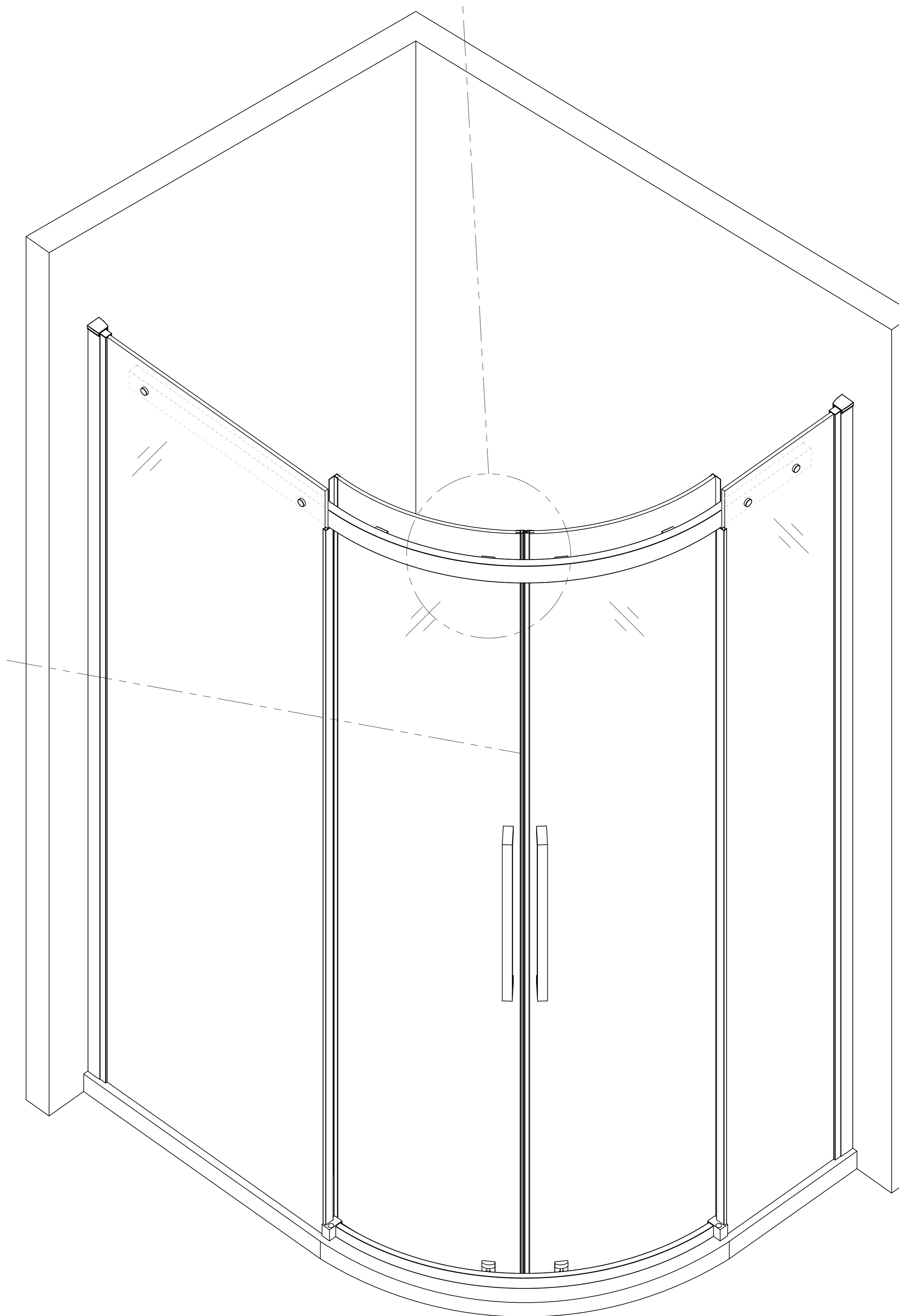
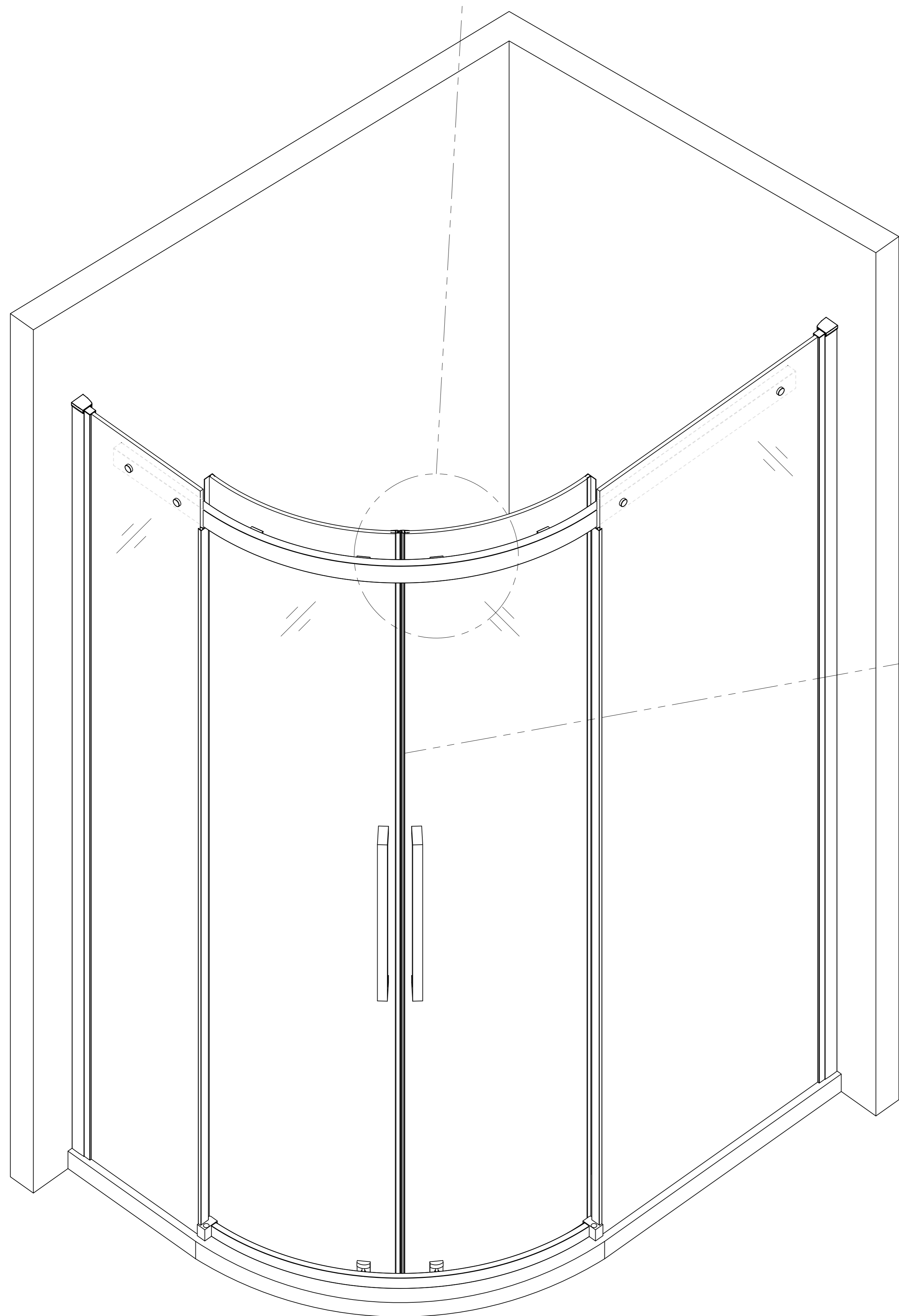
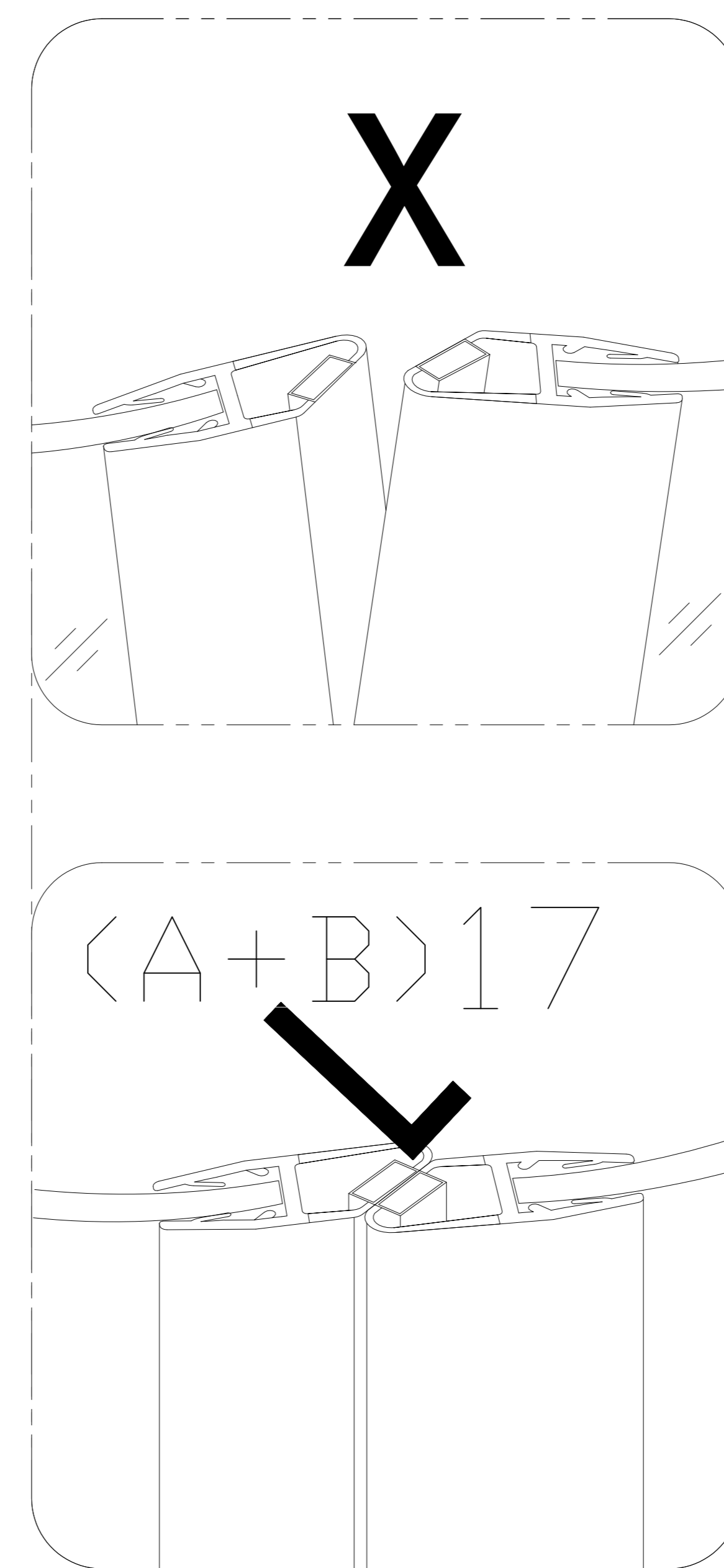
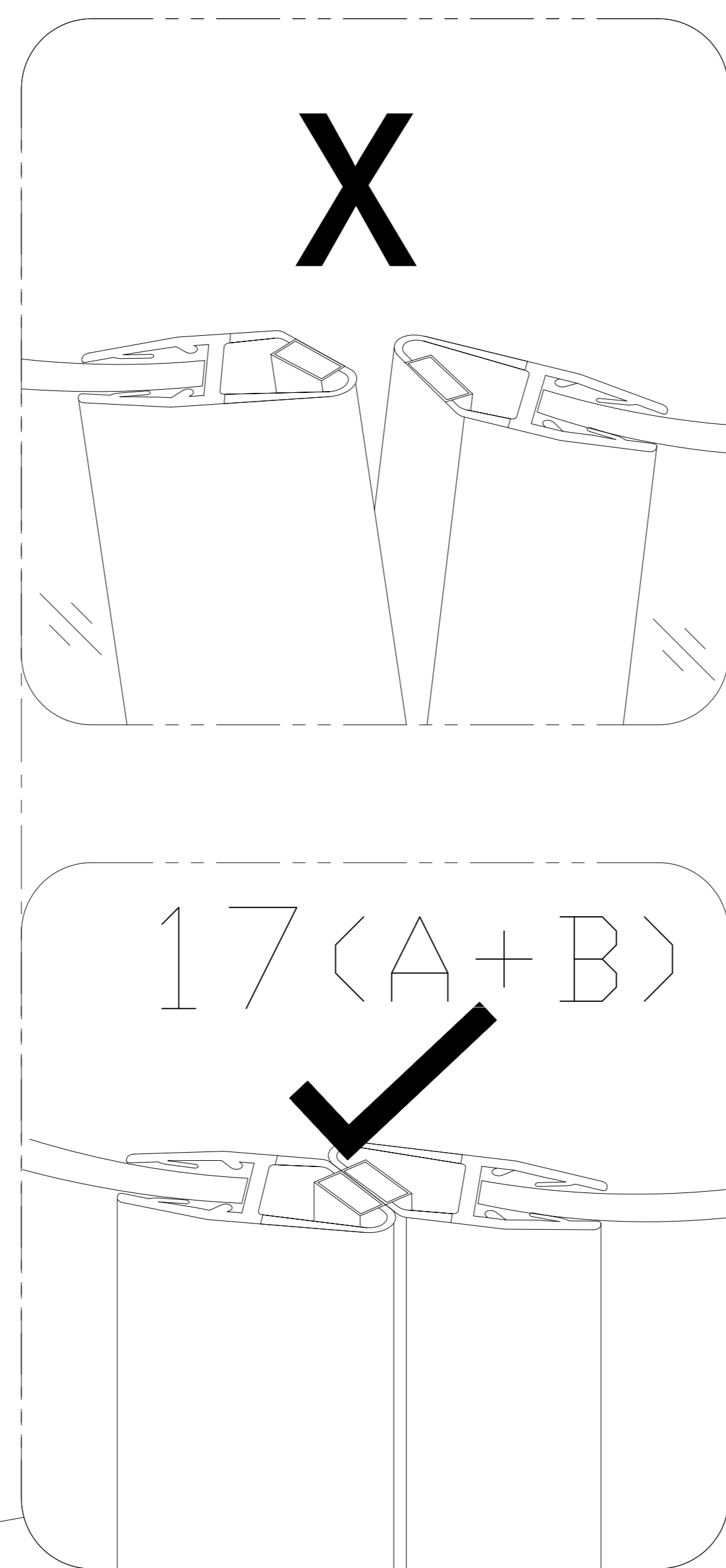
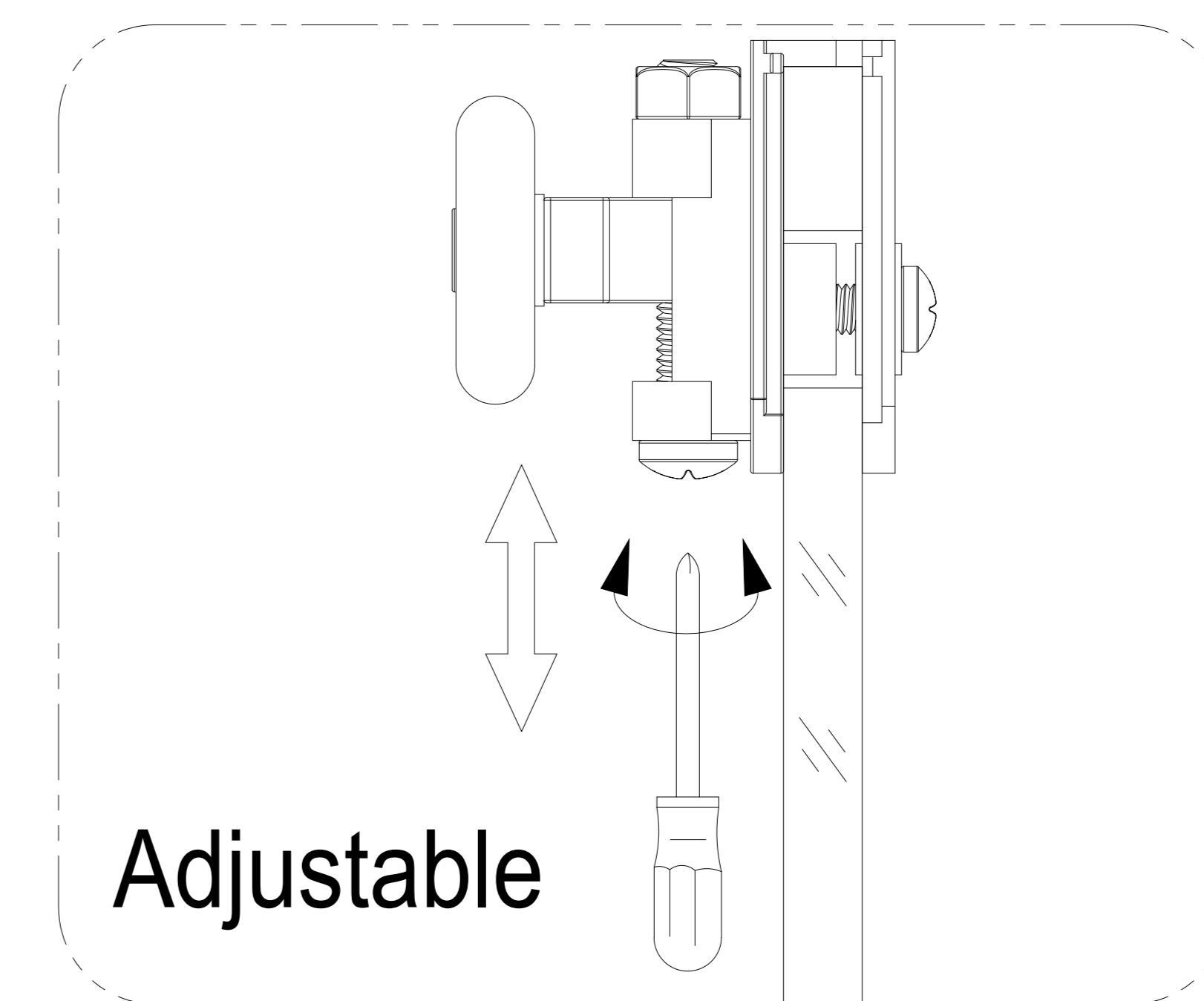
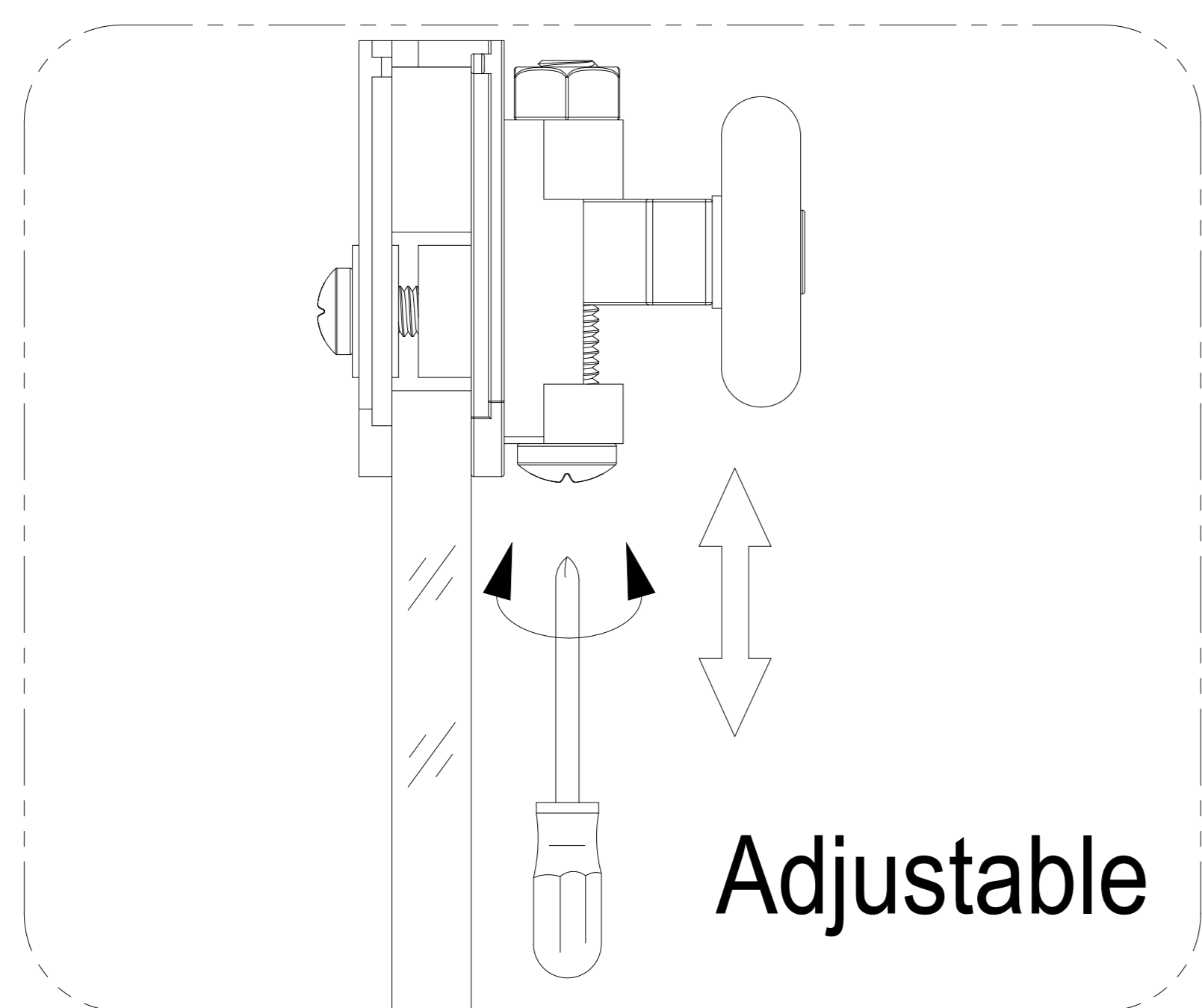


11R



12L

12R

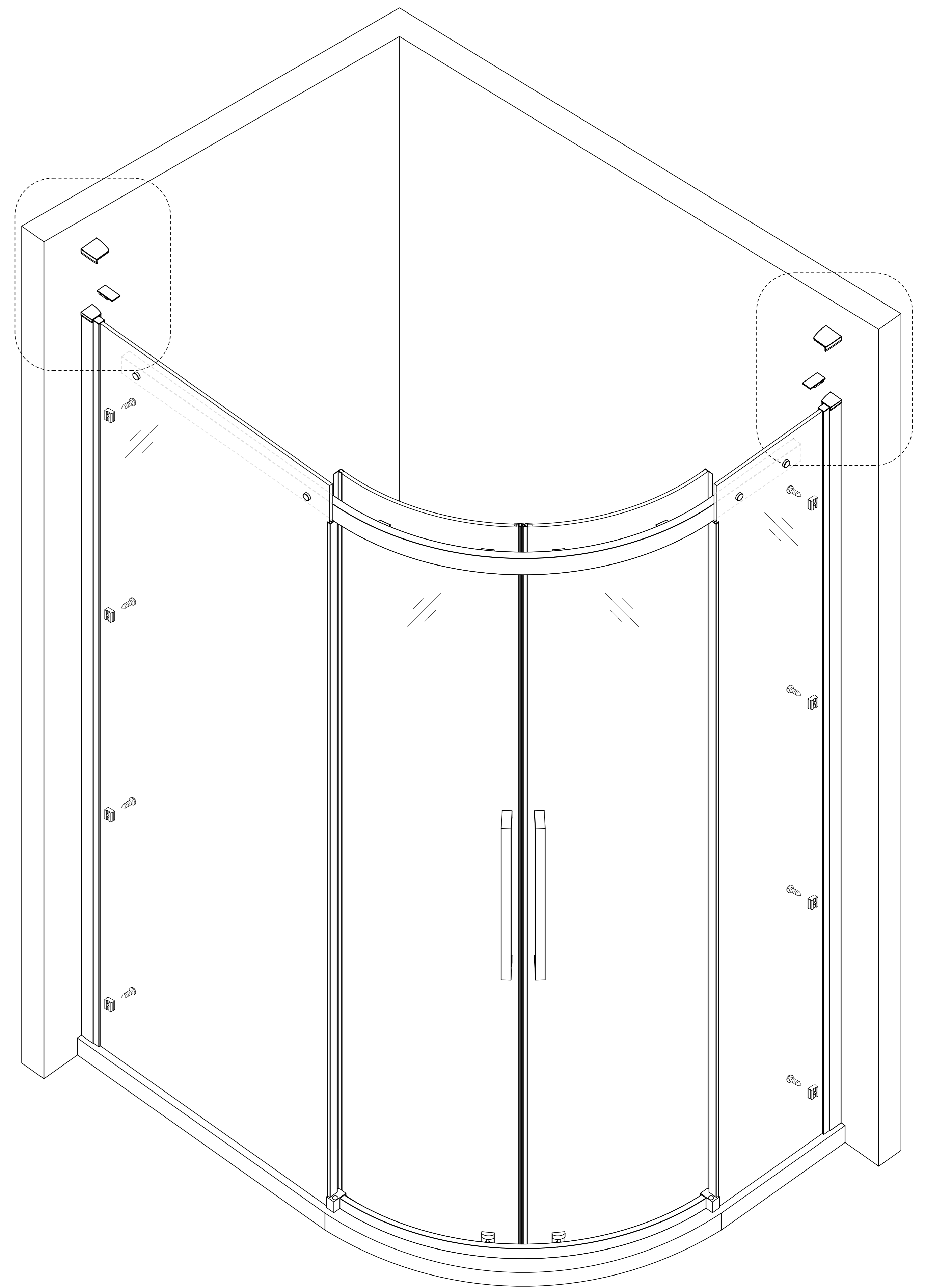
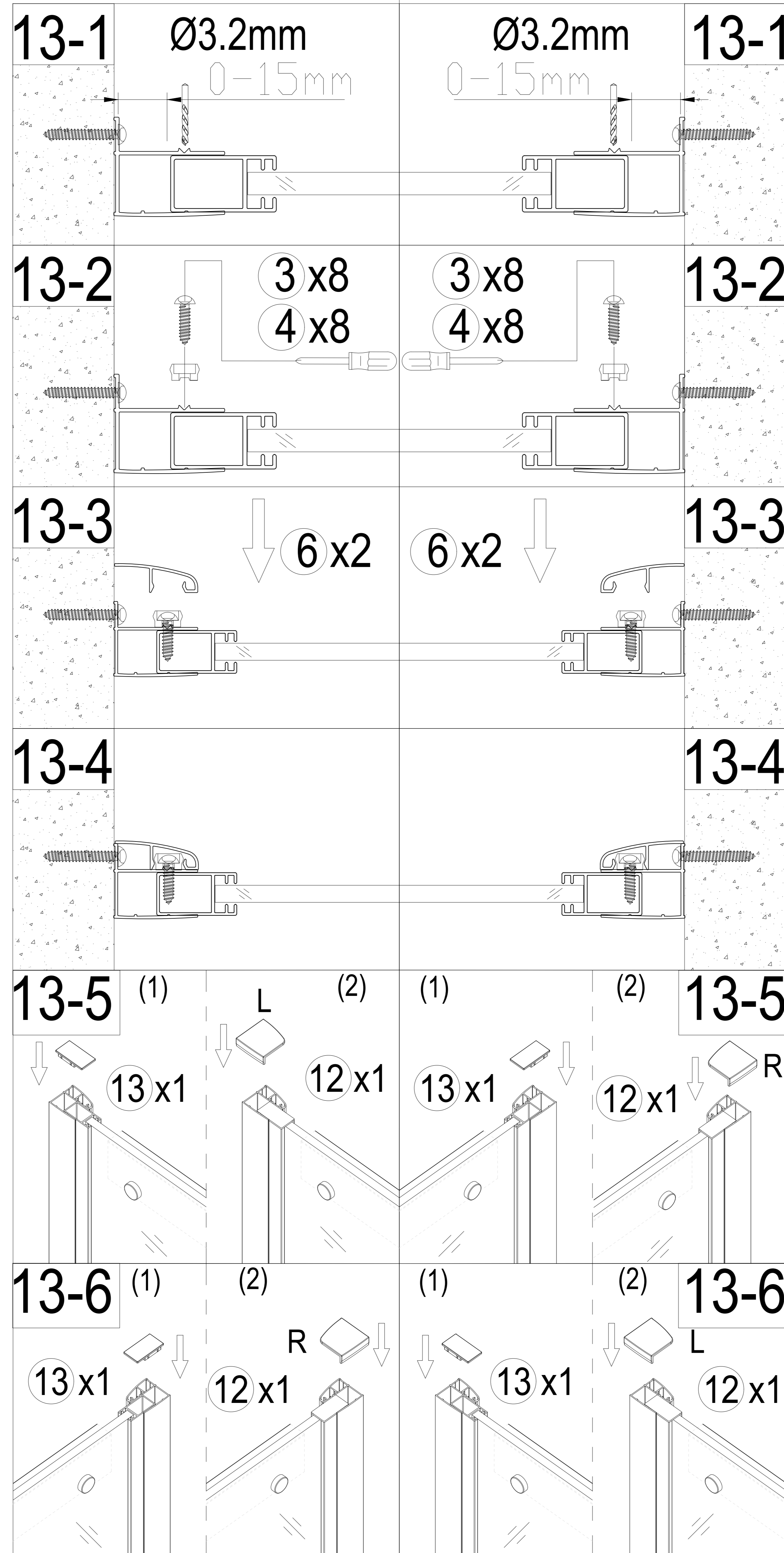
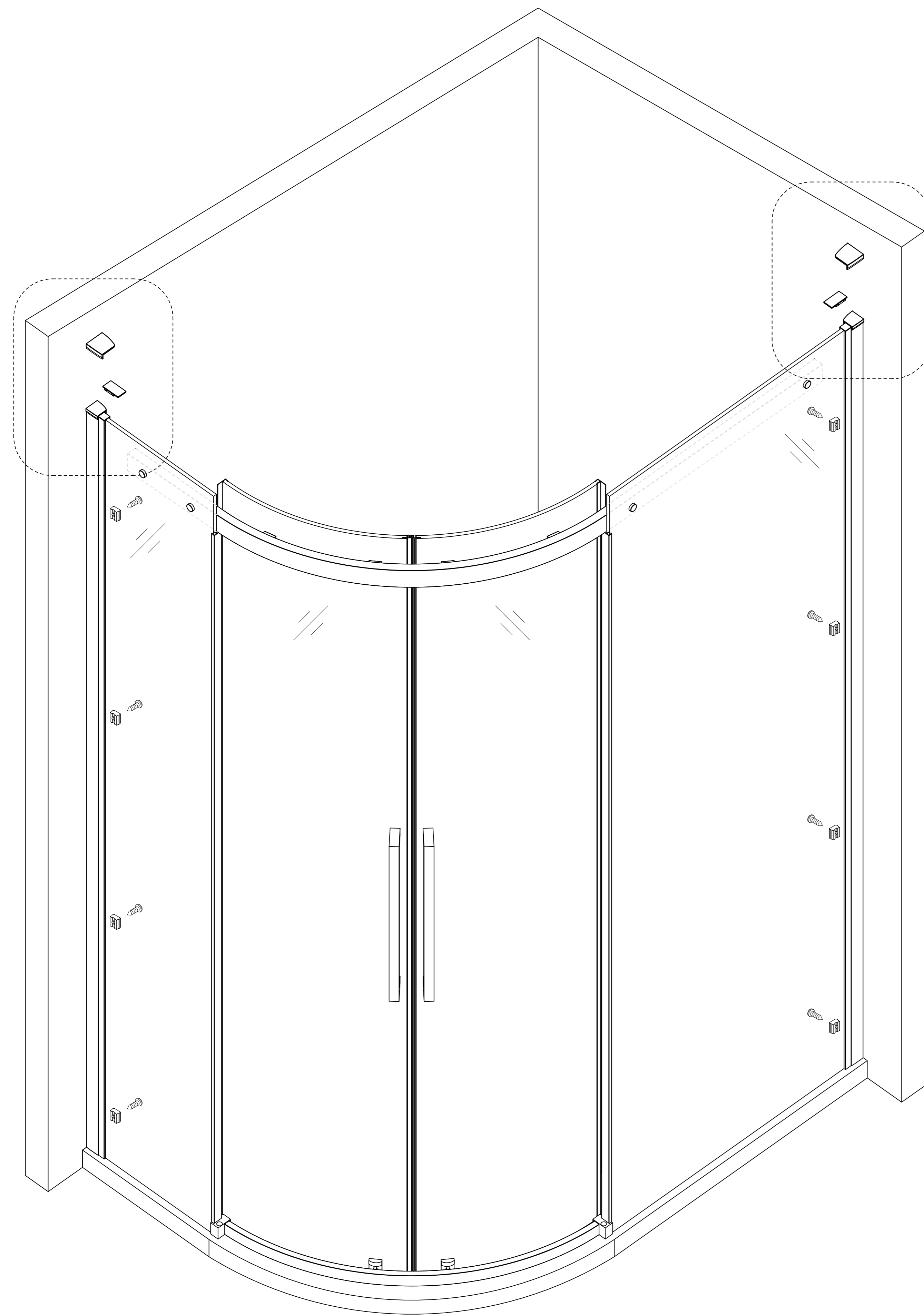


Fit magnetic seals and handles

Fit magnetic seals and handles

13L

13R



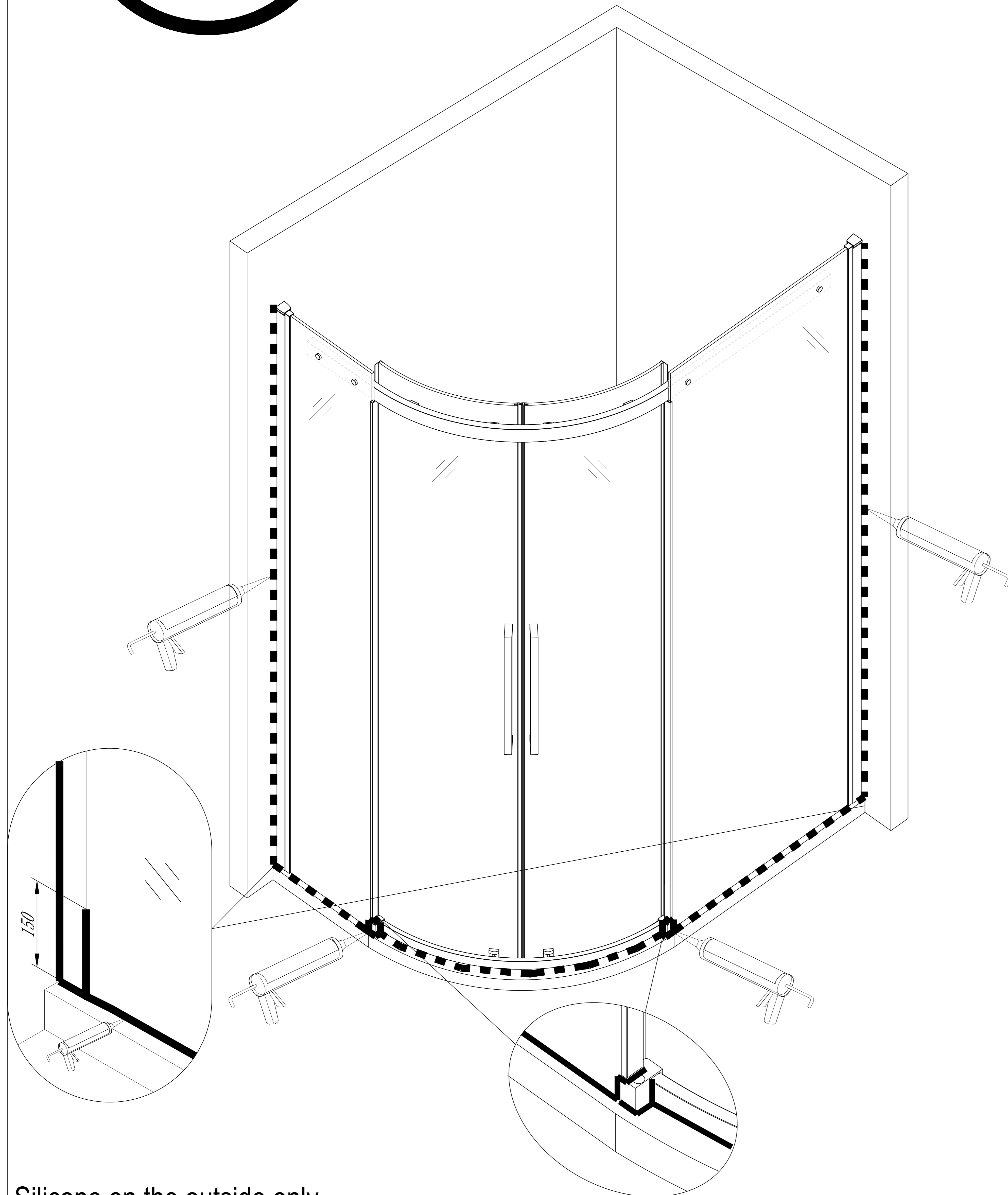
Install profile cover caps

Install profile cover caps



Care Instructions:

Do not use your shower enclosure within 24 hours of assembly . Do not use caustic cleaning products or abrasive material when cleaning your shower enclosure.

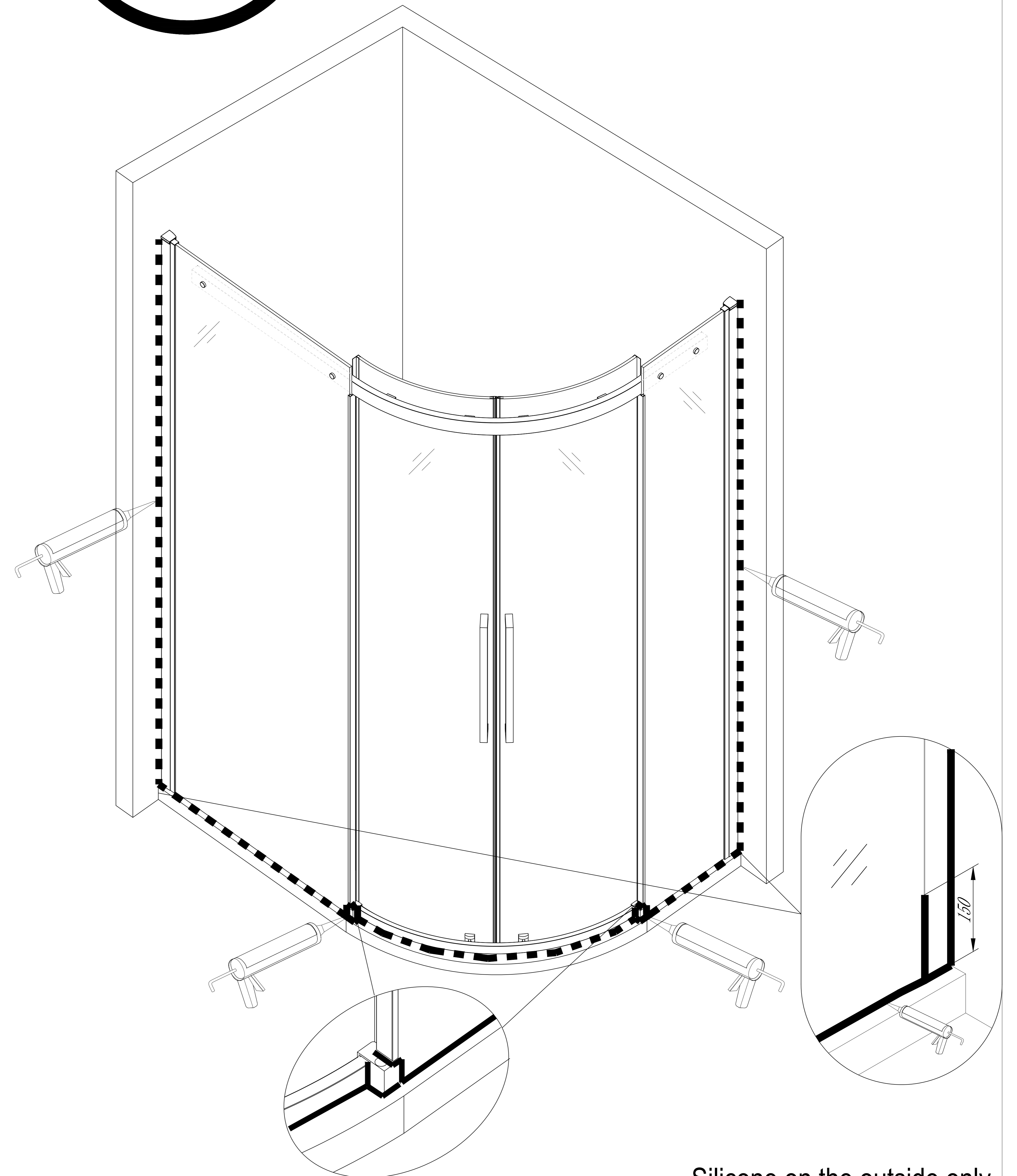


Silicone on the outside only



Care Instructions:

Do not use your shower enclosure within 24 hours of assembly . Do not use caustic cleaning products or abrasive material when cleaning your shower enclosure.



Silicone on the outside only