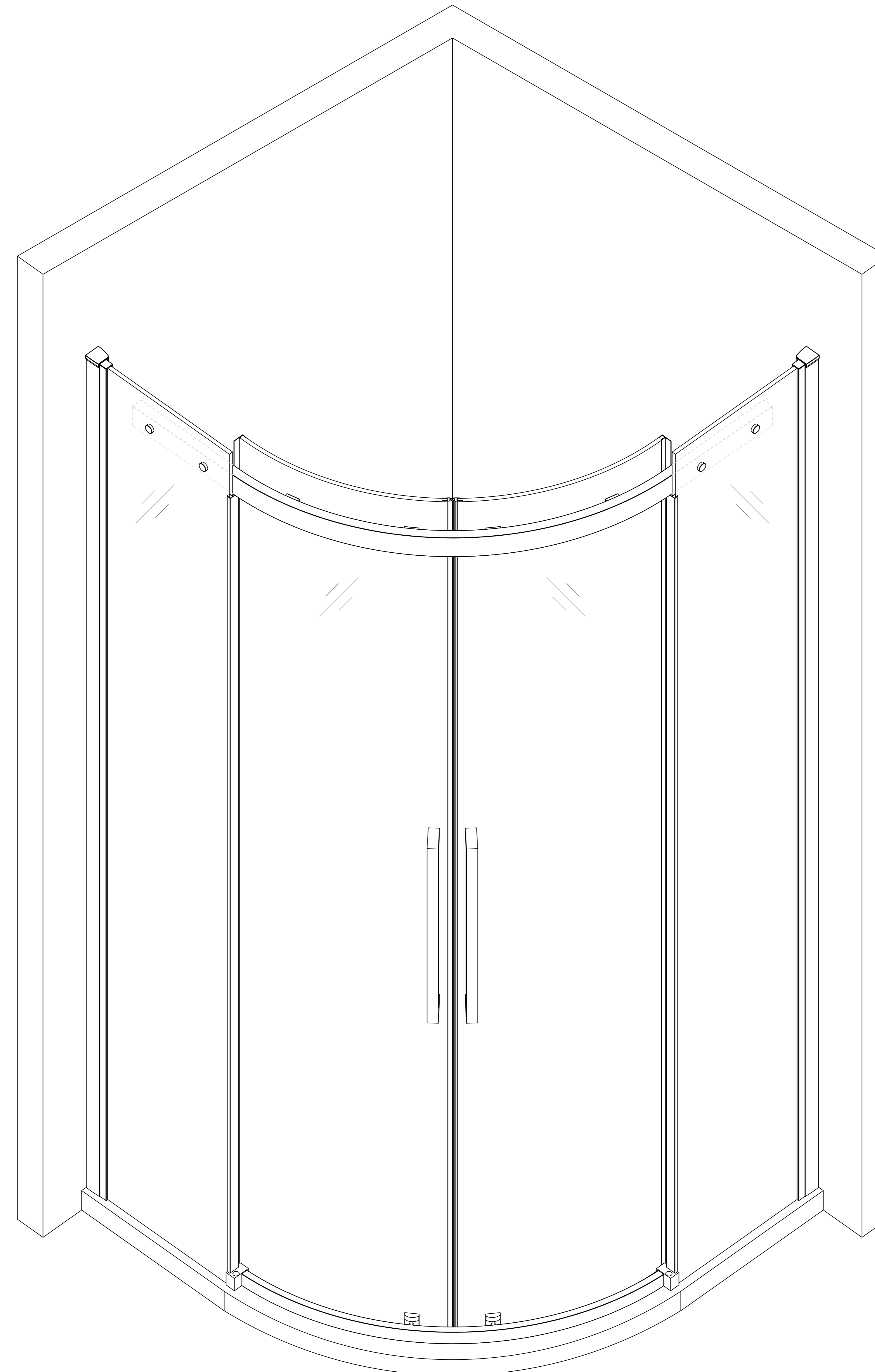
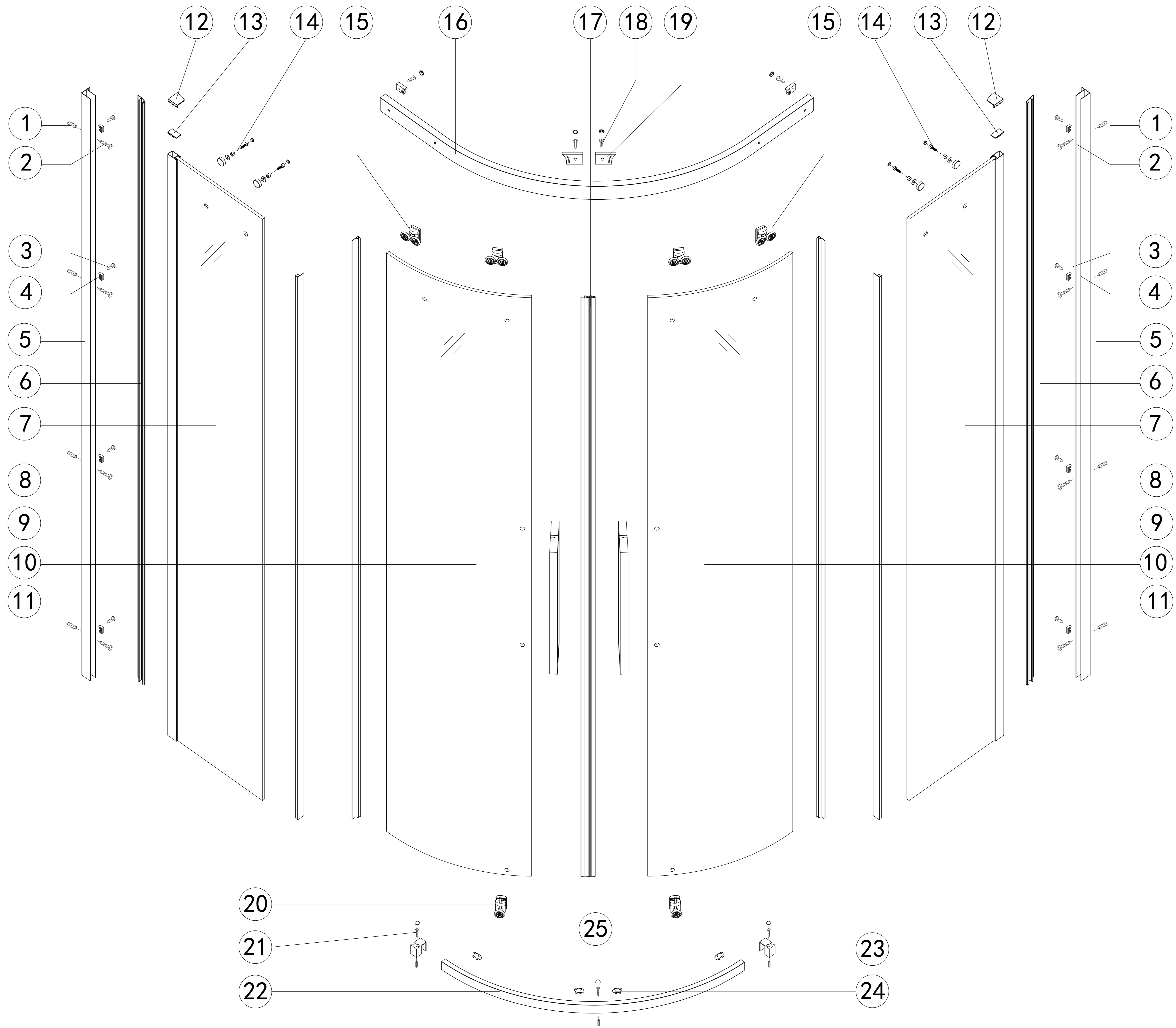
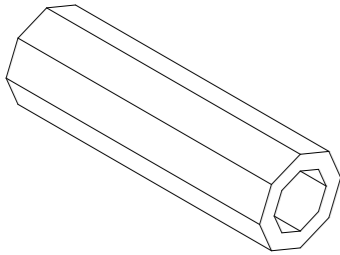
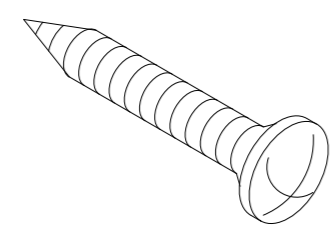
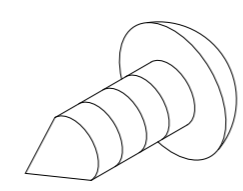
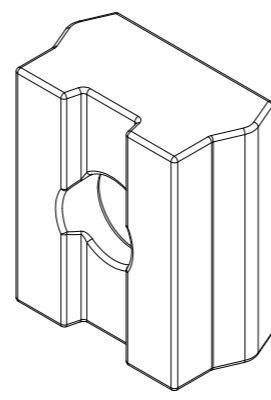
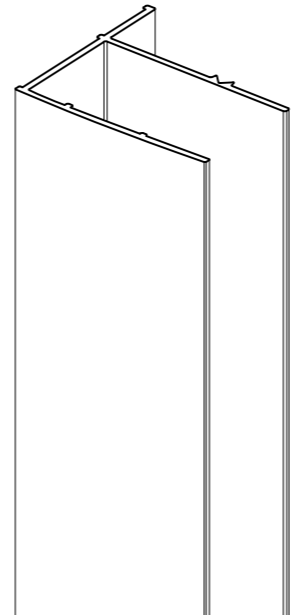
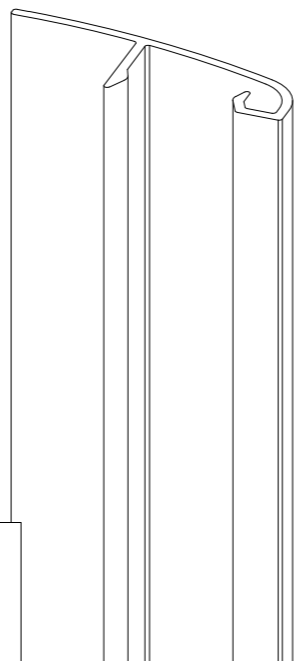
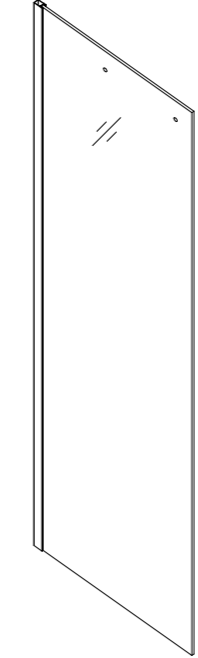
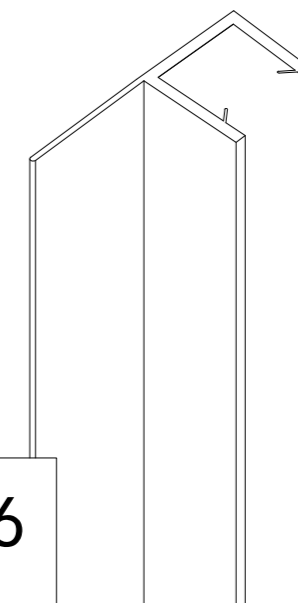
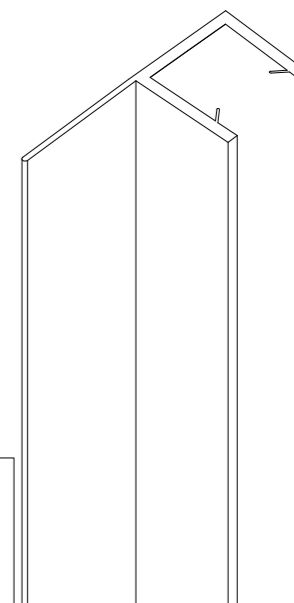
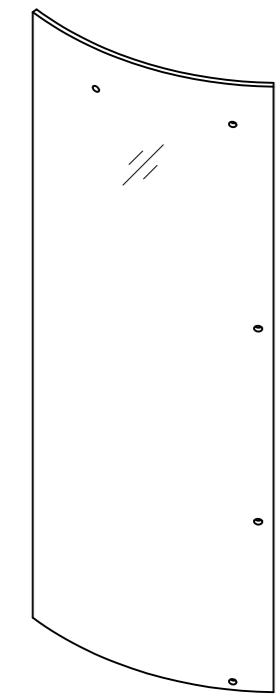
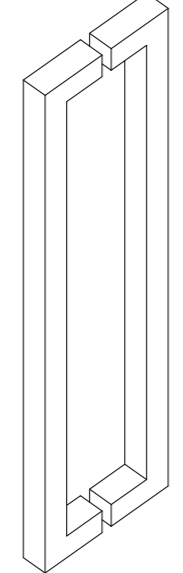
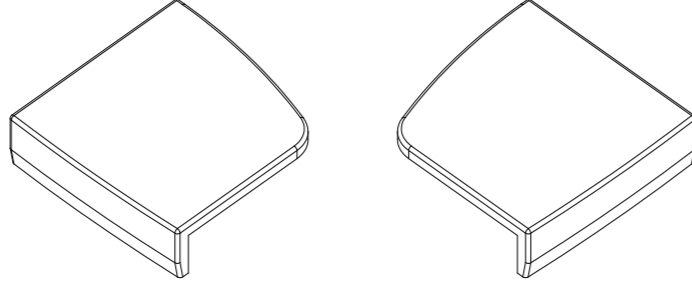
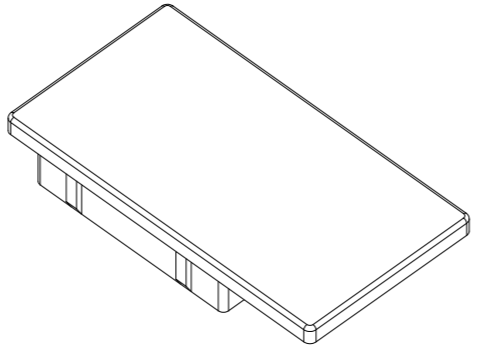
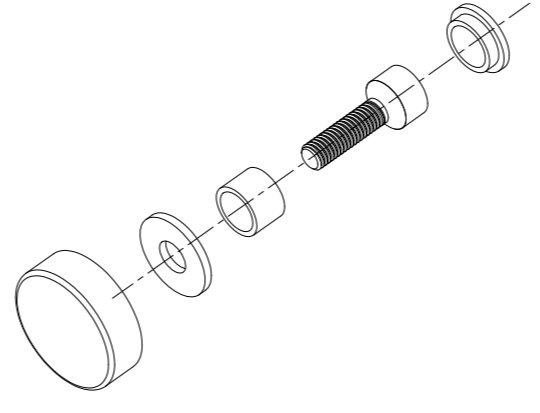
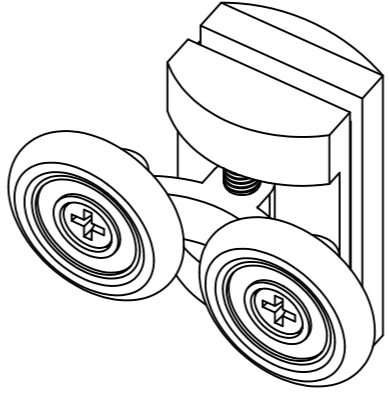
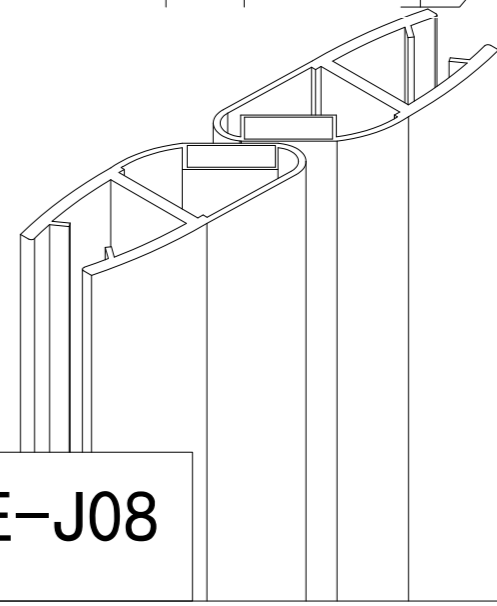
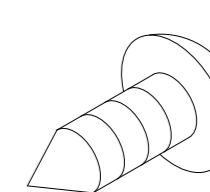
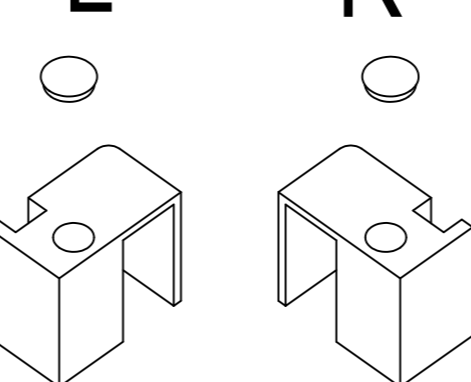
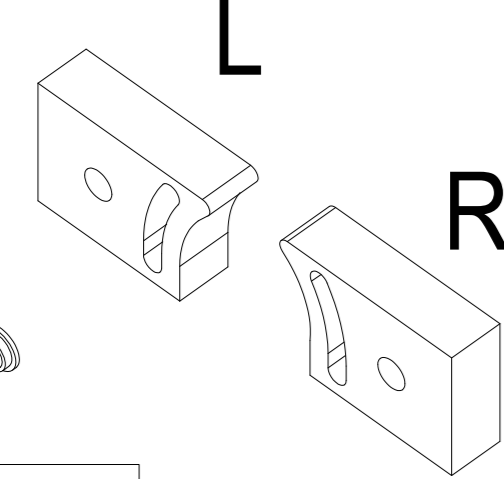
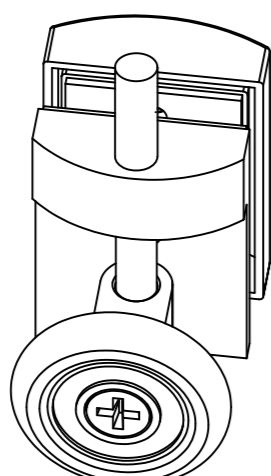
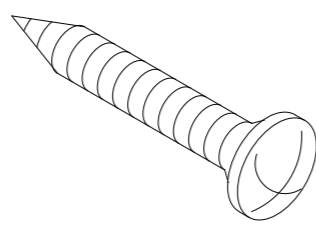

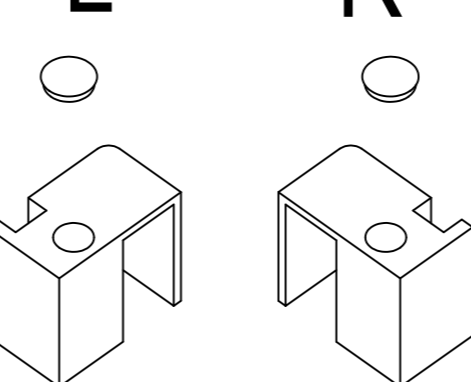
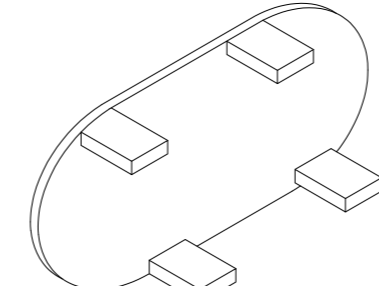
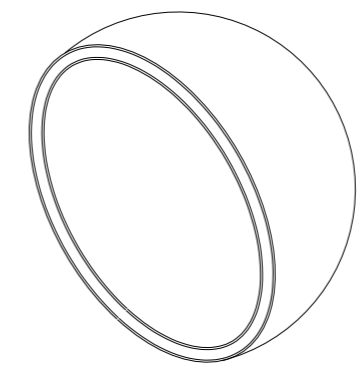


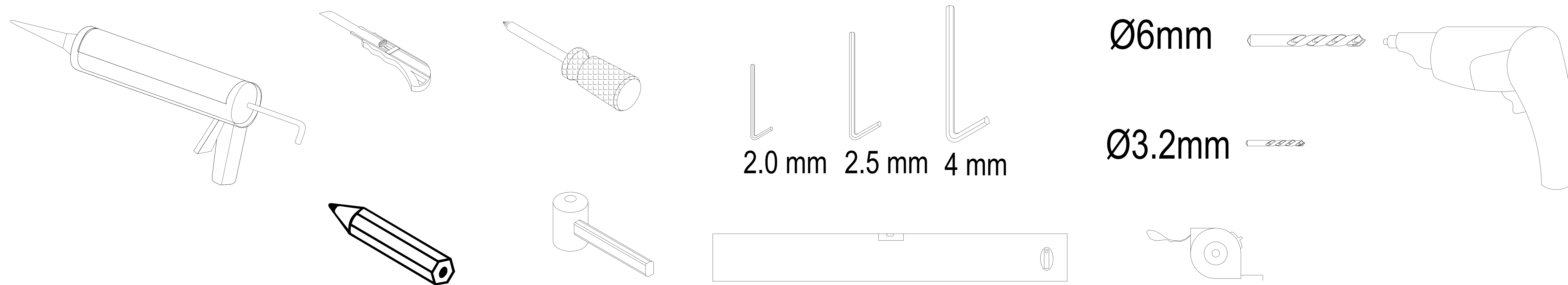
# 49.3201A/49.3202A/49.3203A



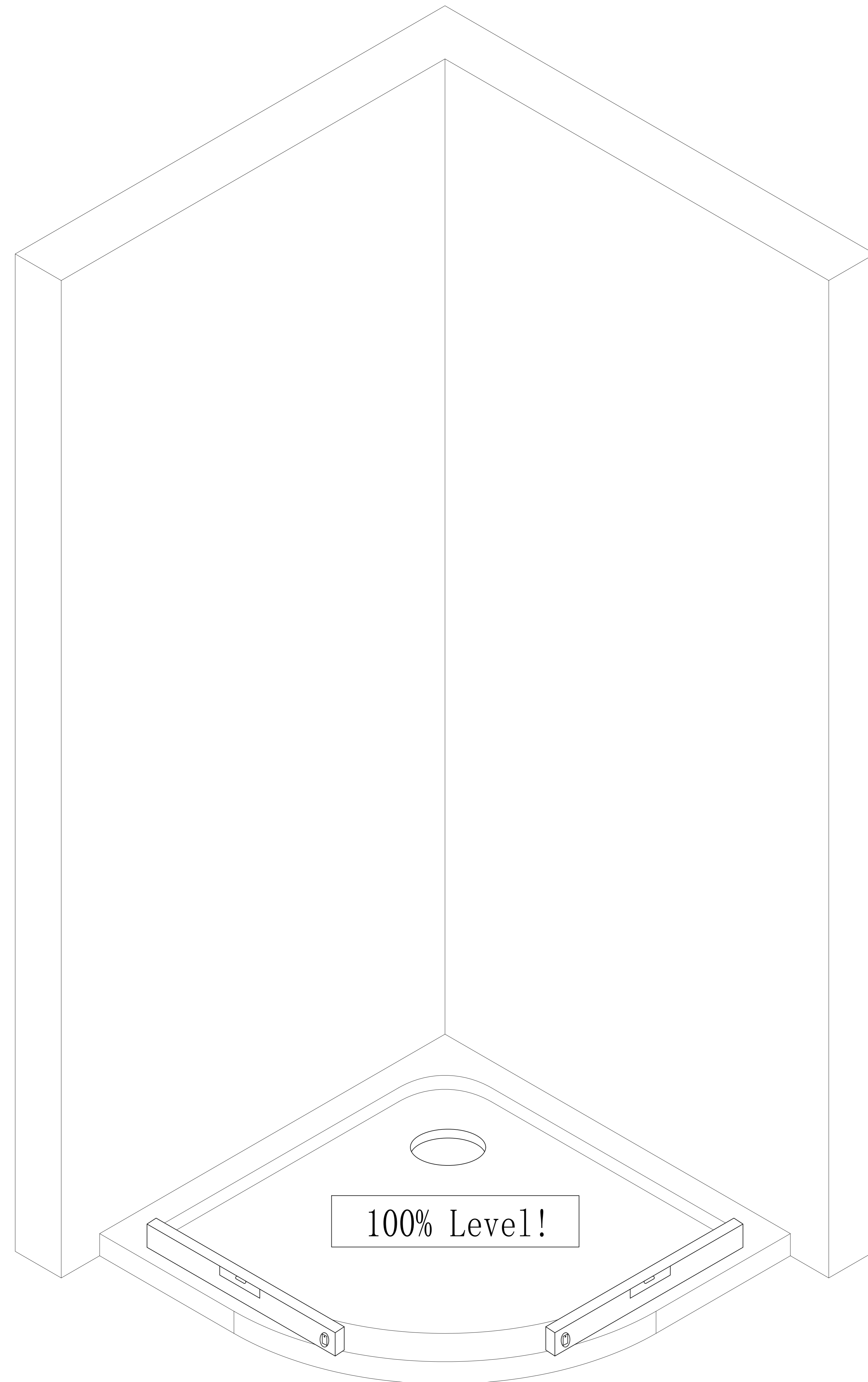


1  D6x30 11Pcs	2  ST4X30 9Pcs	3  ST4X12 8Pcs	4  CRF-6Y01 8Pcs	5  CWE-B01 2Pcs	6  CWE-B02 2Pcs	7  CWE-J06 2Pcs	8 1865mm  CWE-J07 2Pcs	9 1985mm  CWE-J07 2Pcs
10  CWE-D05 2Pcs	11  CWE-S01 2Pcs	12 L R  CWE-S03 2Pcs	13  CWE-D12 2Pcs	14  CWE-D09 4Pcs	15  CWE-B08-S 1Pcs	16  CWE-J08 1Pair	17 A+B  ST4X8 4Pcs	18  CWE-D11 2Pcs
19 L R  CWE-S05 4Pcs	20  CWE-D10 2Pcs	21  ST4X35 2Pcs	22  CWE-B09-S 1Pcs	23 L R  CWE-D11 2Pcs	24  CRF-6Y05 4Pcs	25  CWE-S07 1Pcs	<h1>Tools:</h1>	

Please report any missing parts or damage to your supplier within 10 working days and before installation.

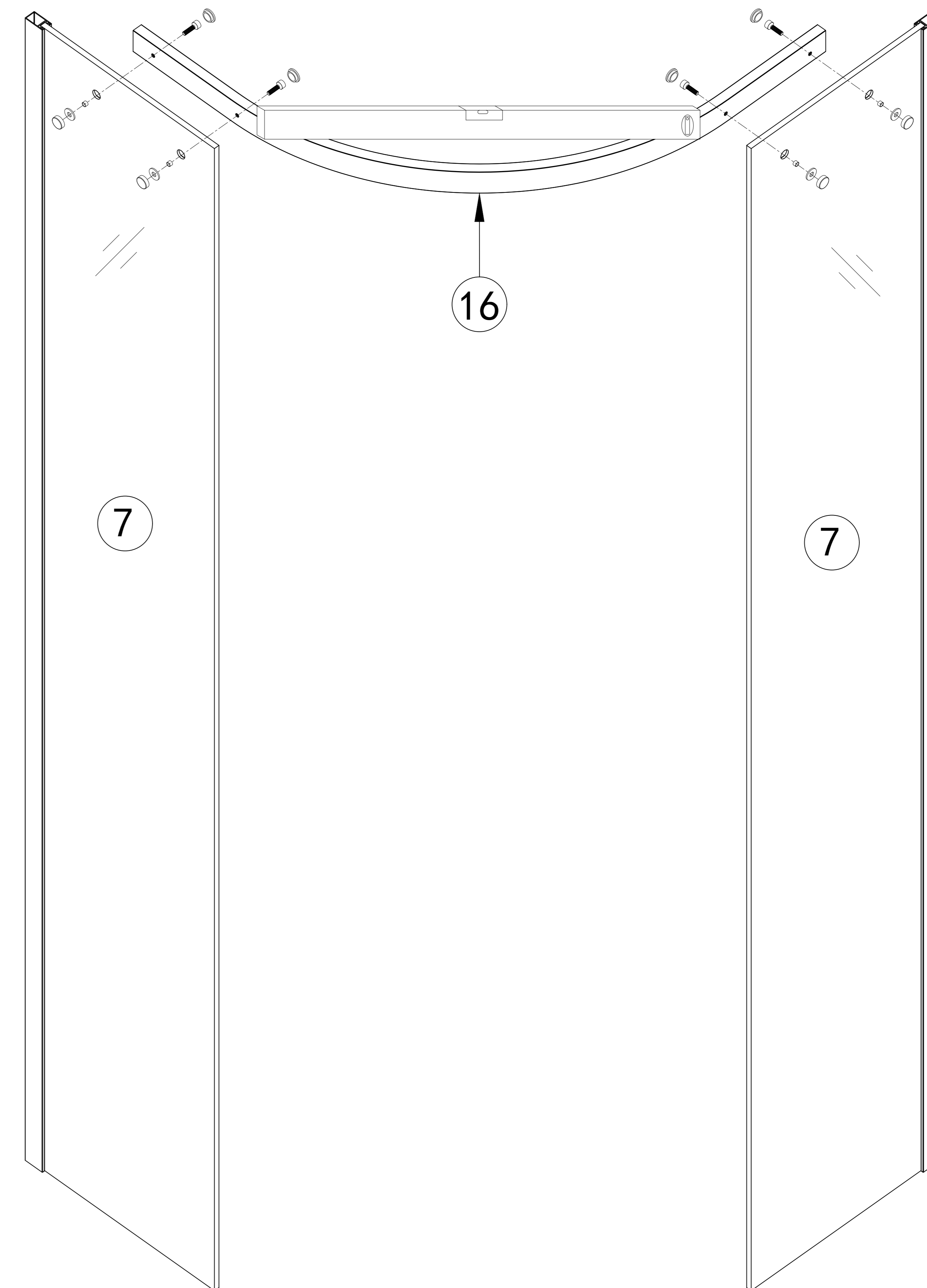


1

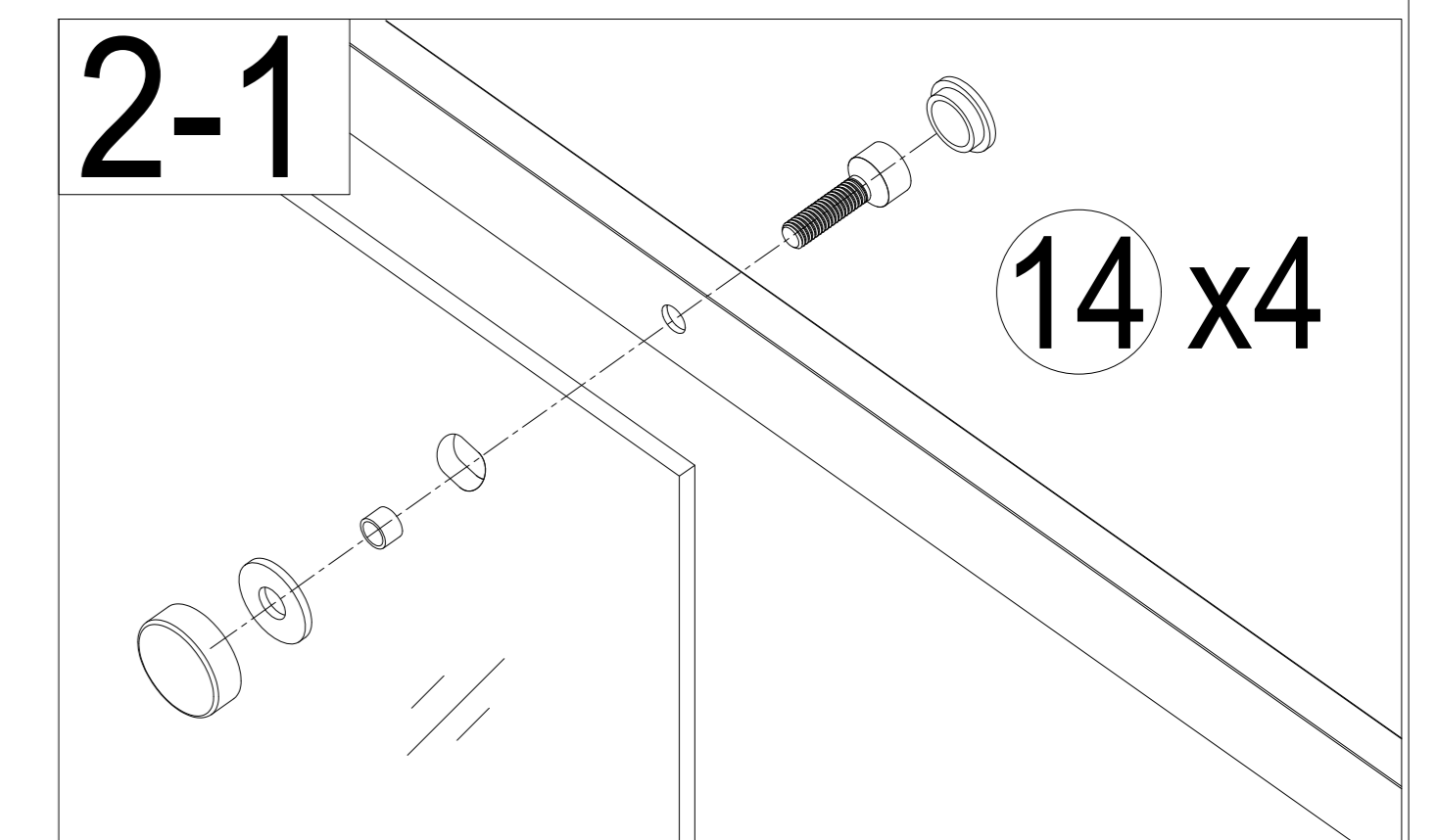


Check tray is level

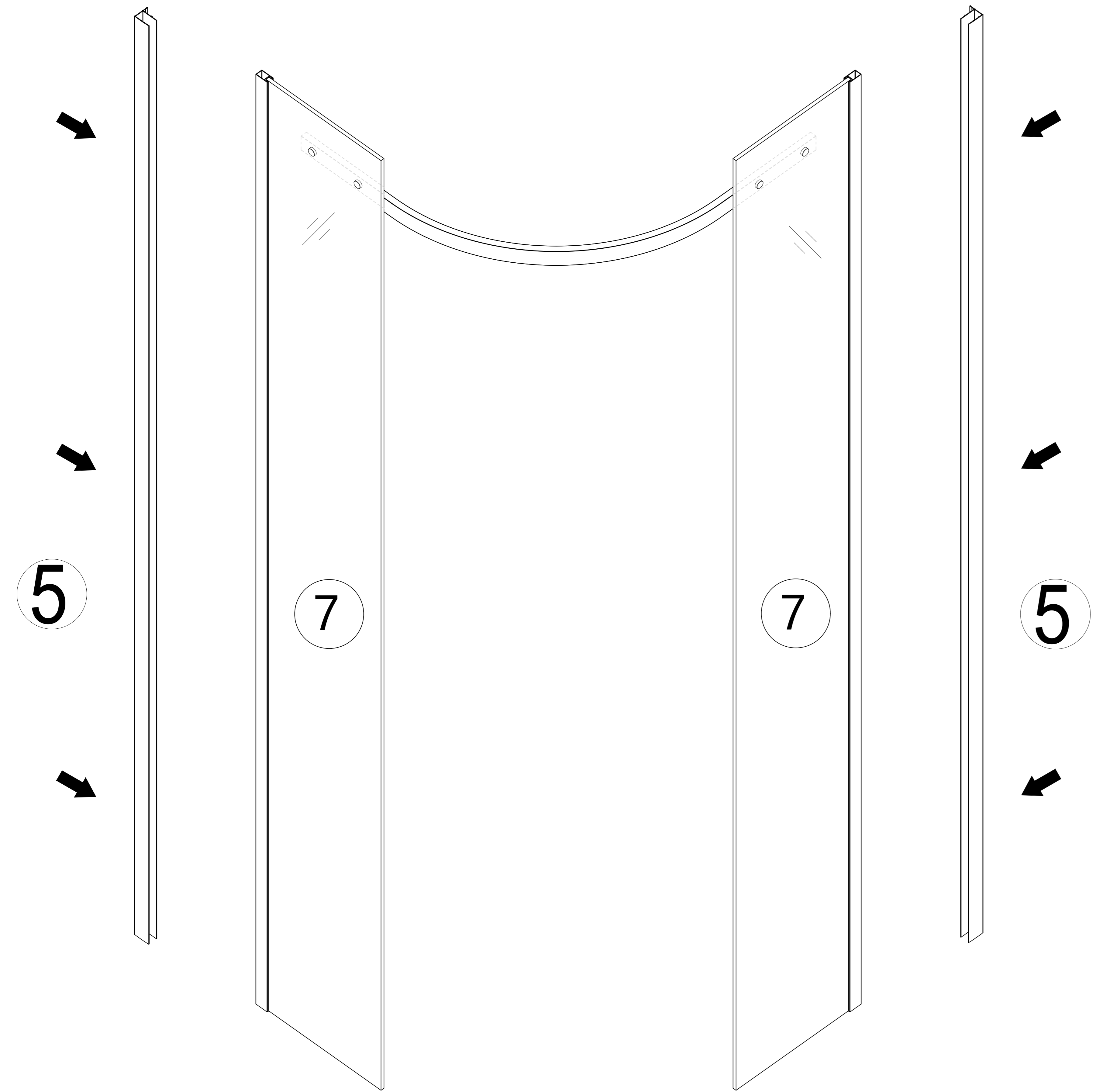
2



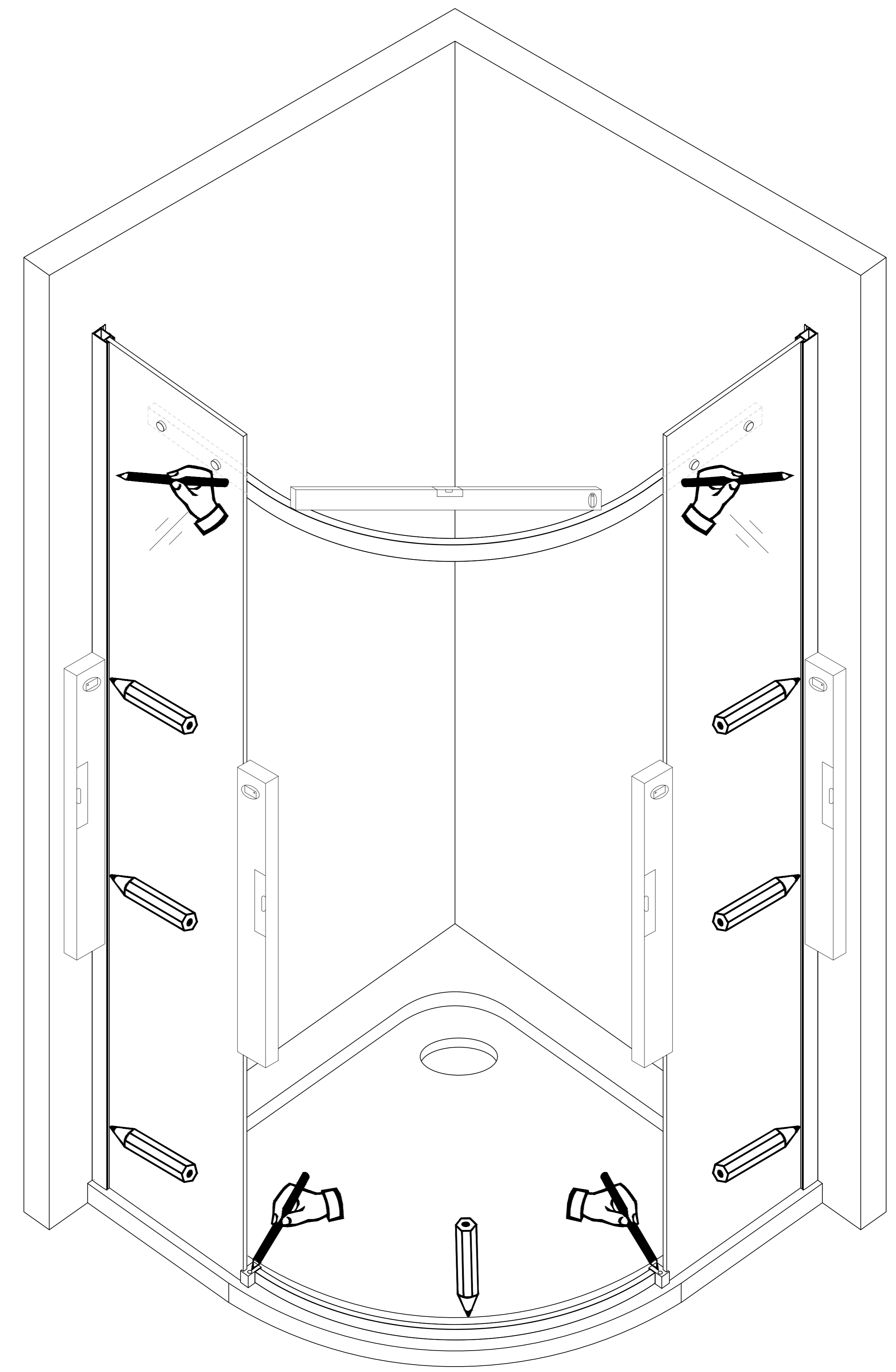
Connect top support bar 16 to fixed glass panels 7 with bolts 14.



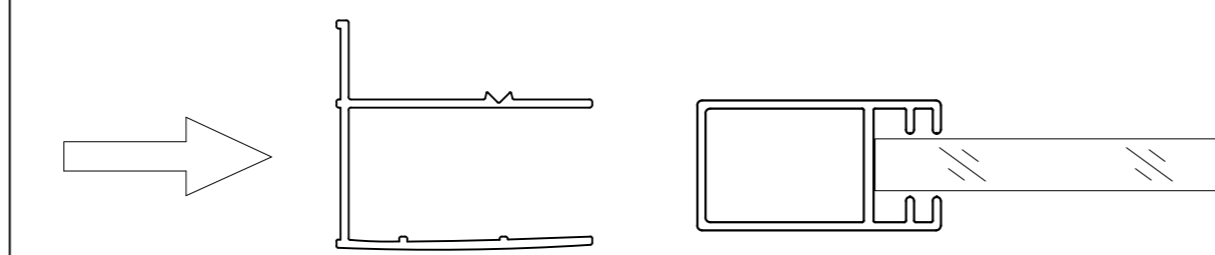
3



4

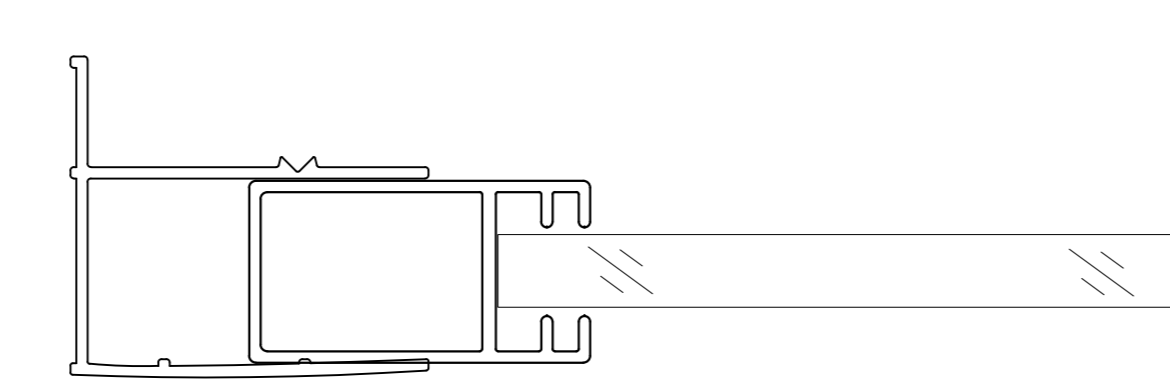


3-1 Inside

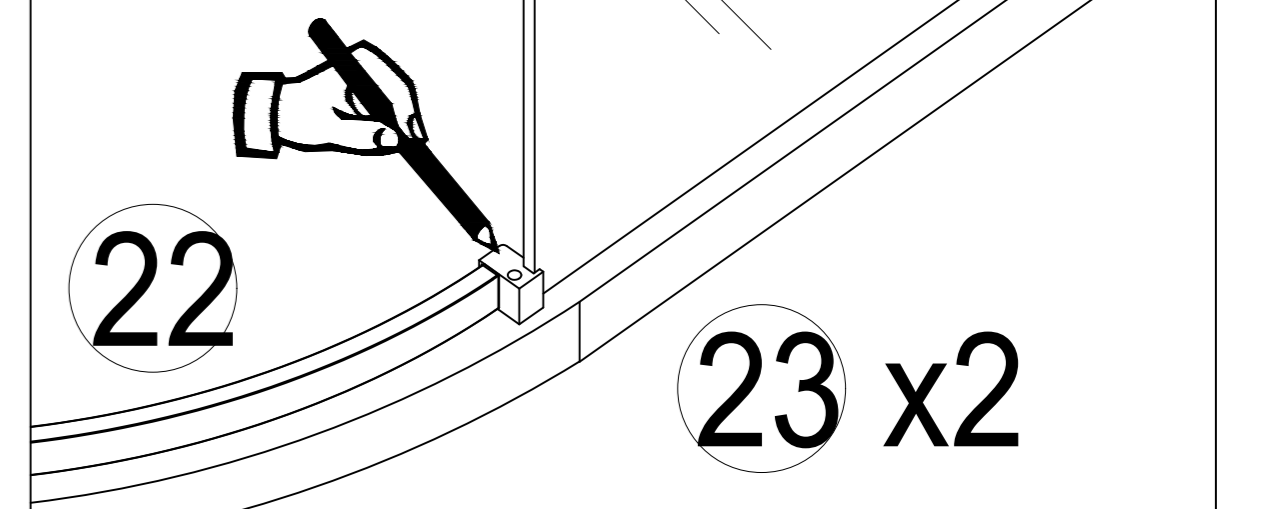


5 X2 Outside

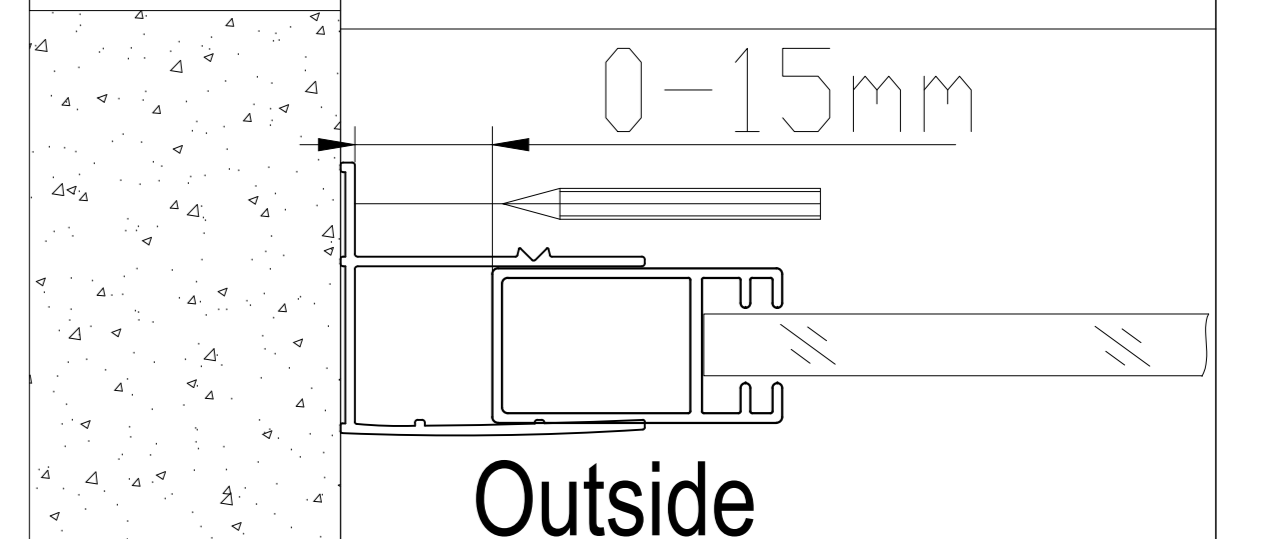
3-2



4-1

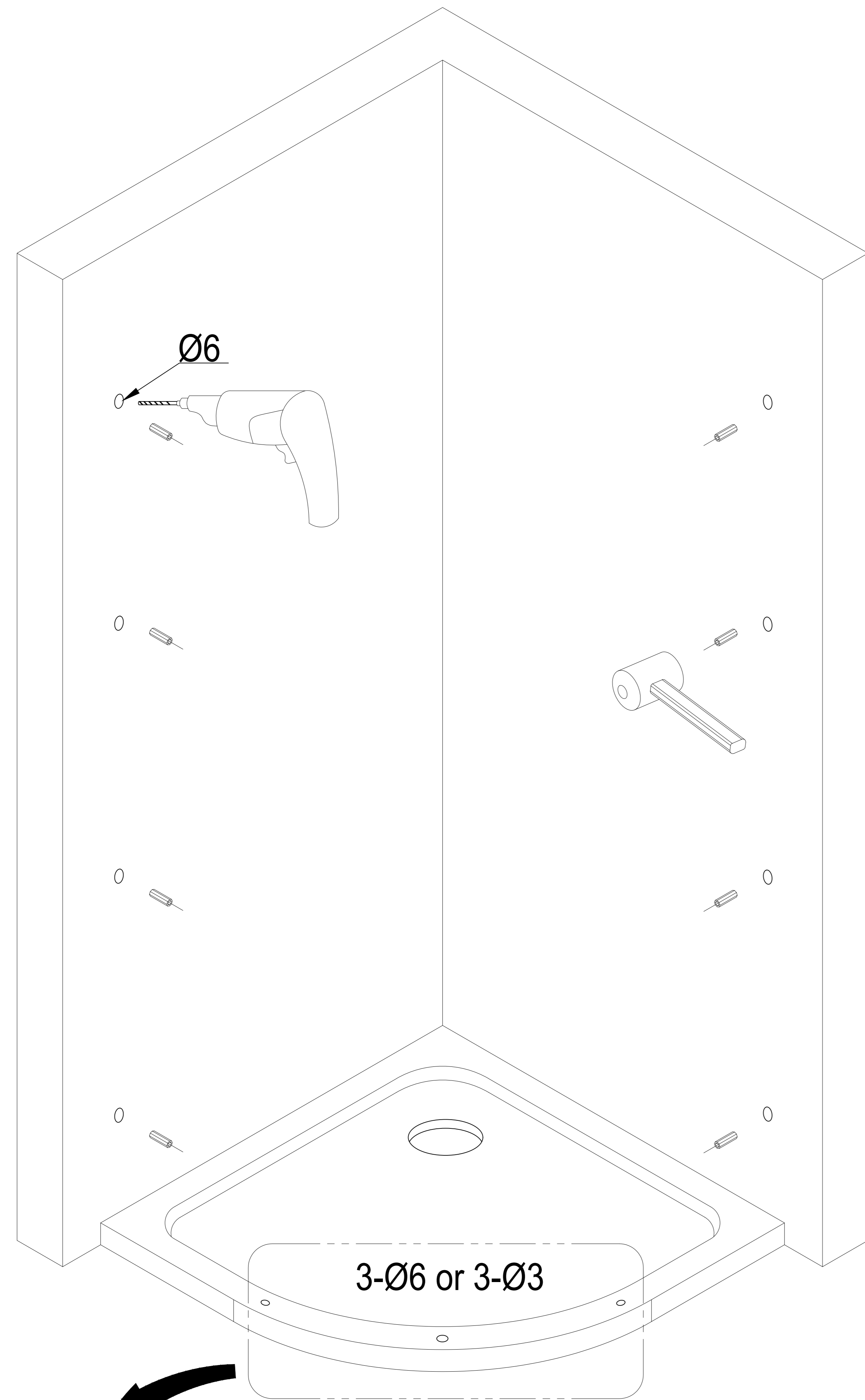


4-2 Inside 5 x2

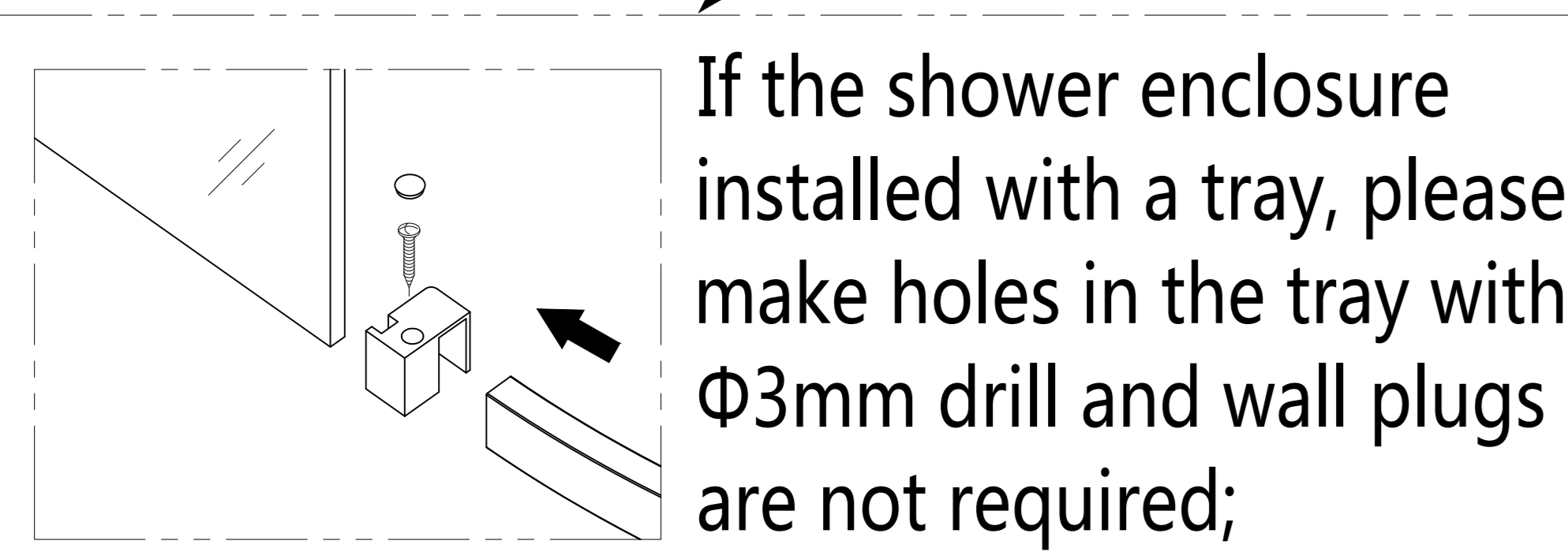
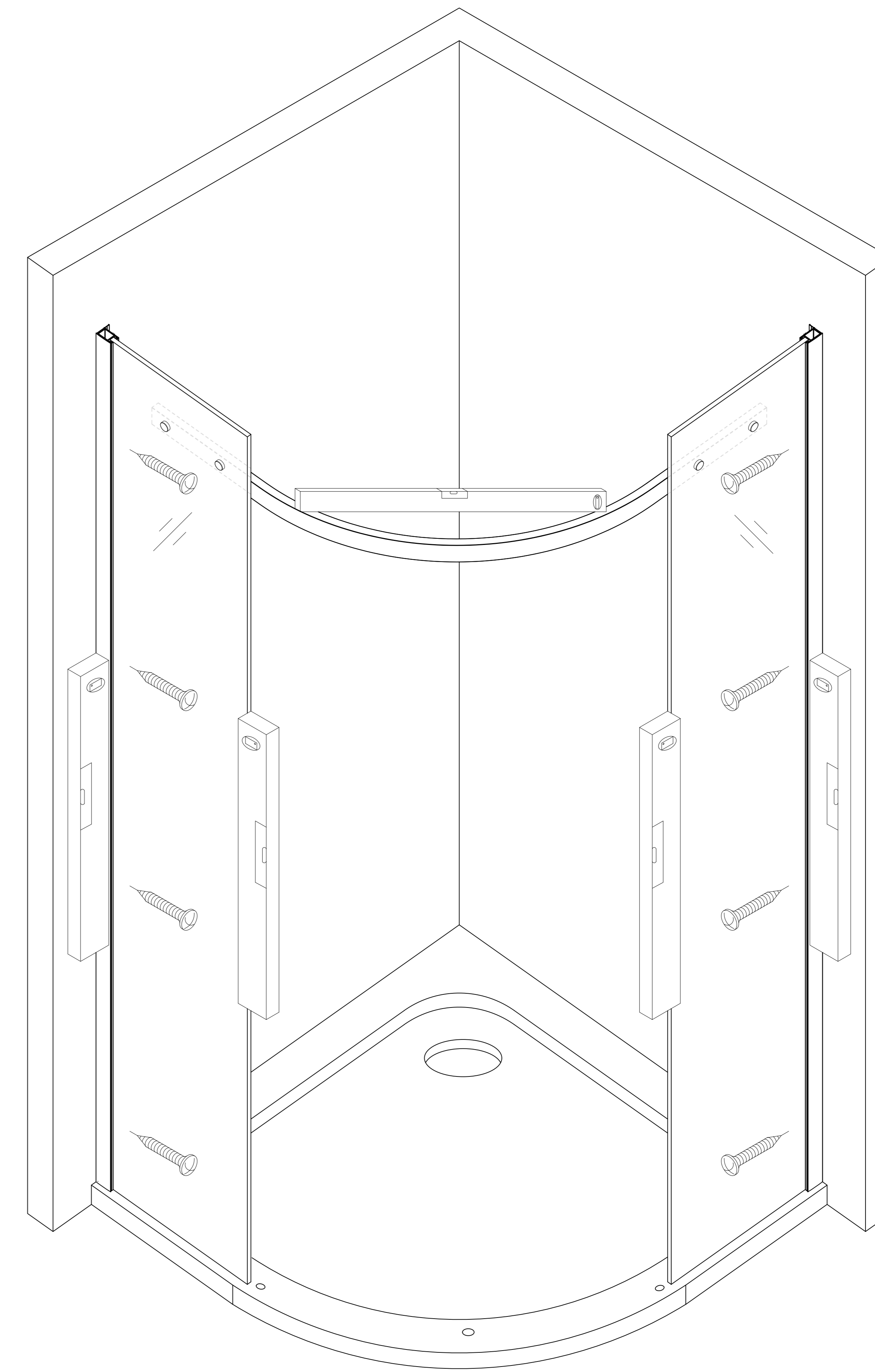


Lift fixed panels with bar attached onto tray for best fit and mark position for wall profiles and bottom rail & rail fixtures

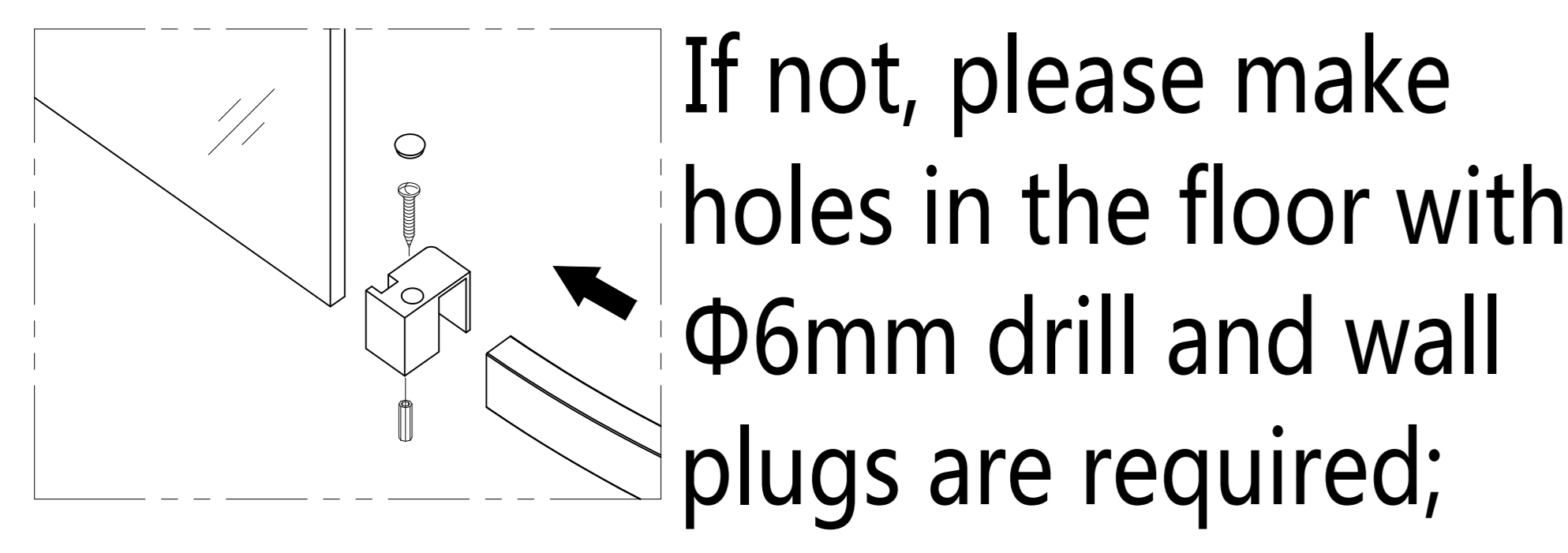
5



6

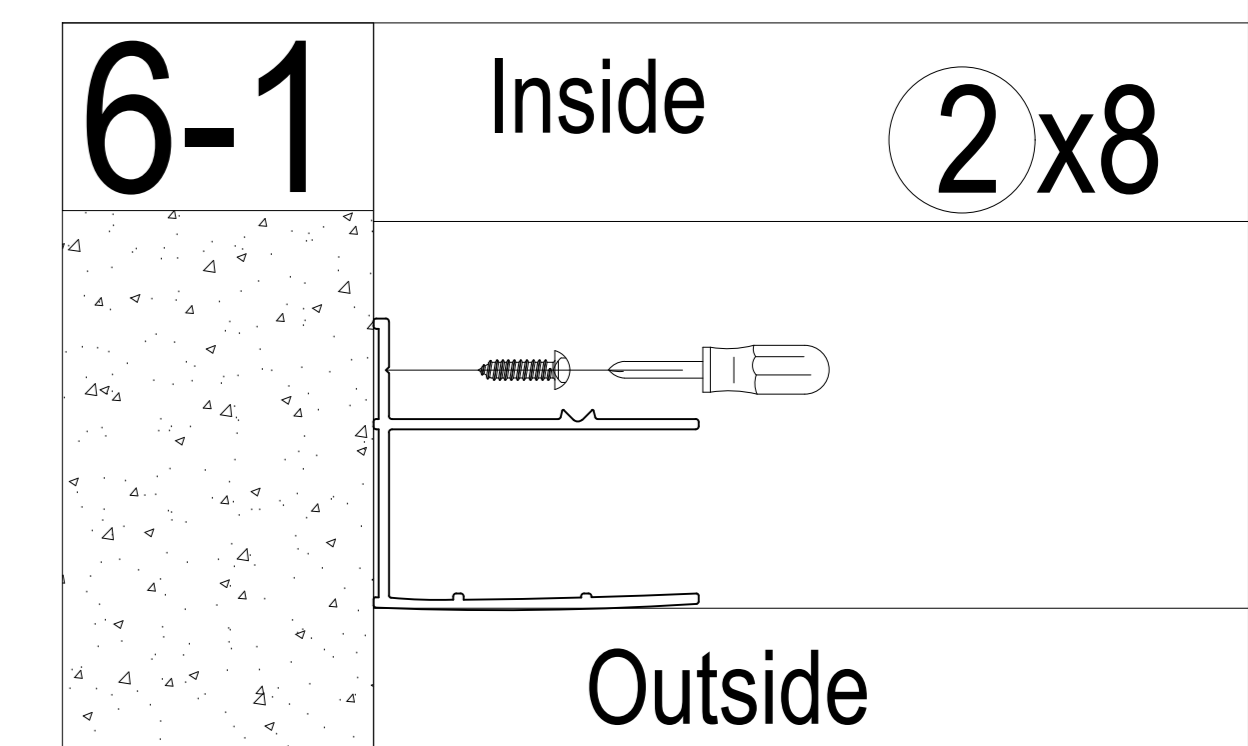
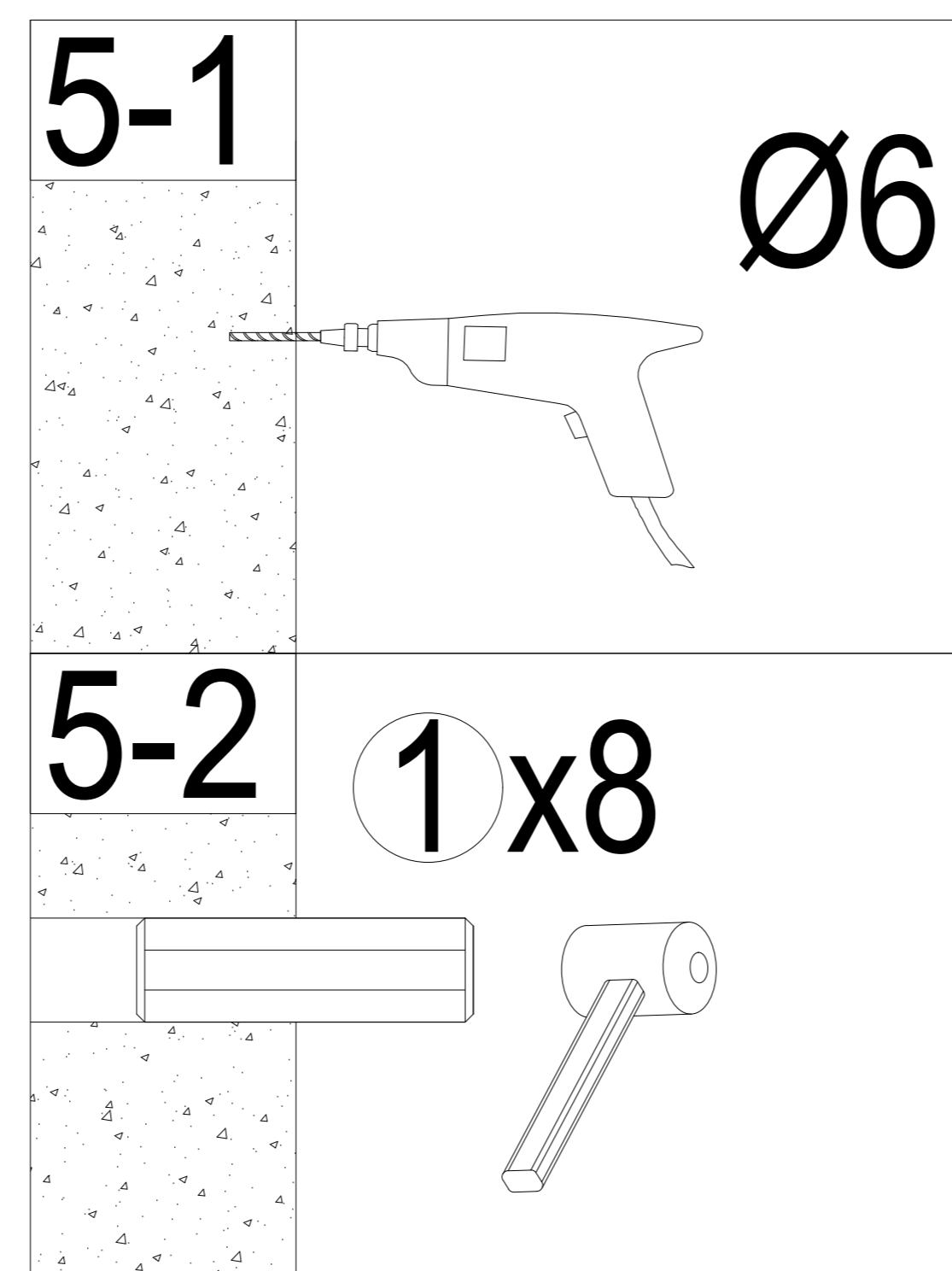


If the shower enclosure installed with a tray, please make holes in the tray with  $\Phi 3\text{mm}$  drill and wall plugs are not required;

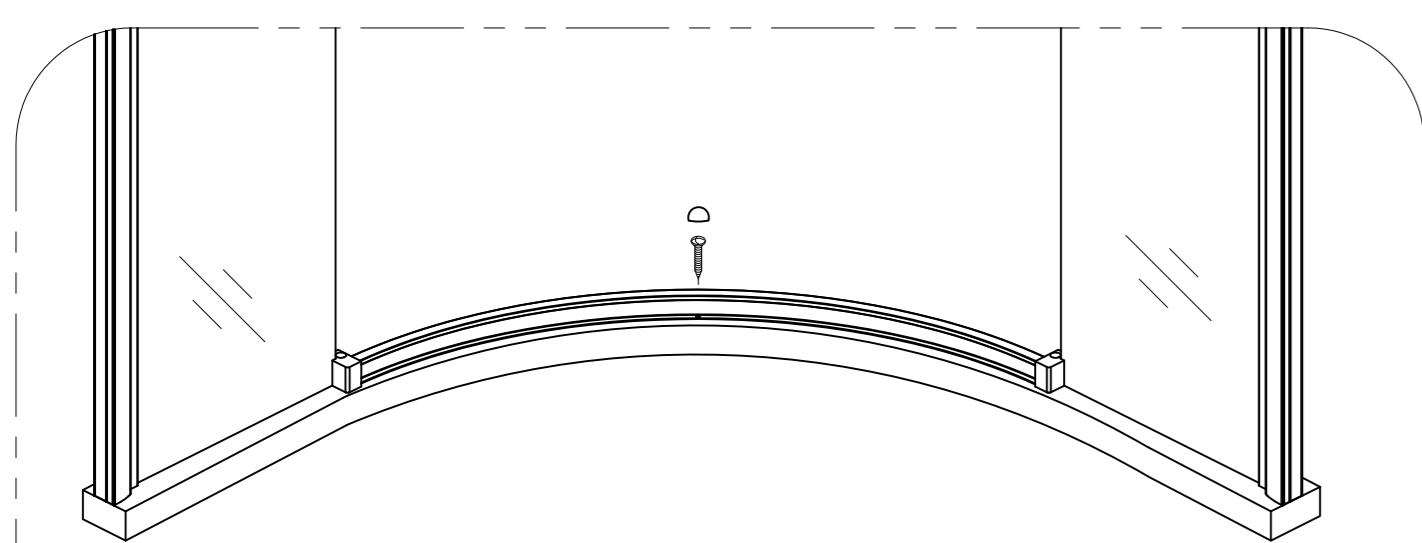
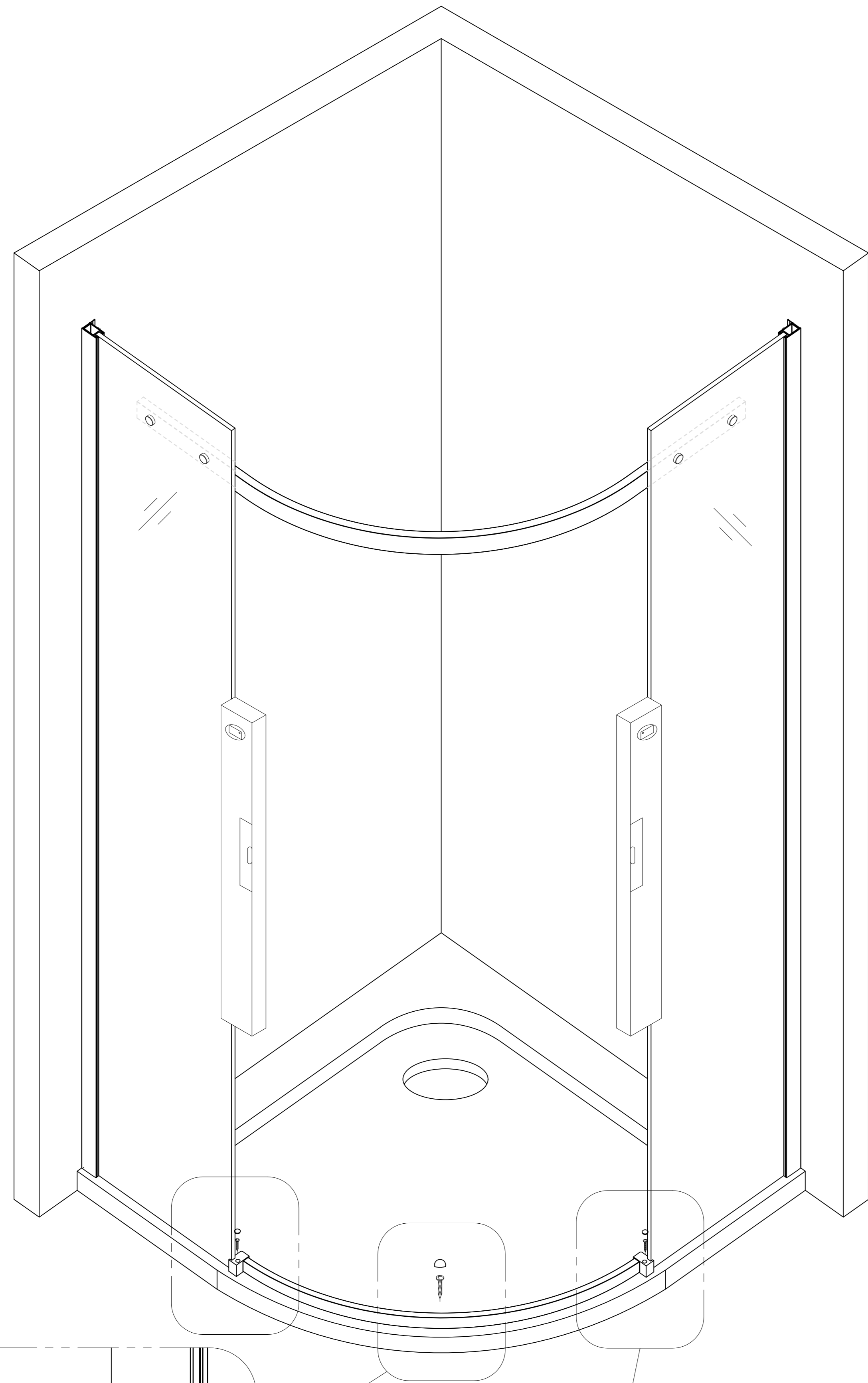


If not, please make holes in the floor with  $\Phi 6\text{mm}$  drill and wall plugs are required;

Installing wall profiles - checking levels

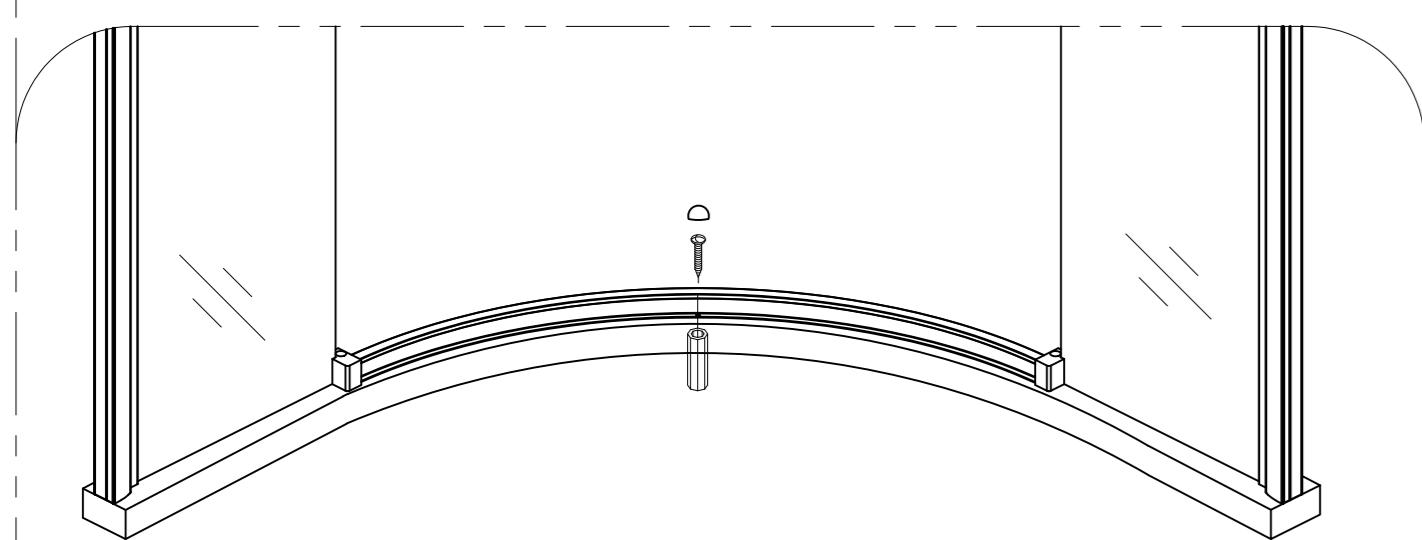


7



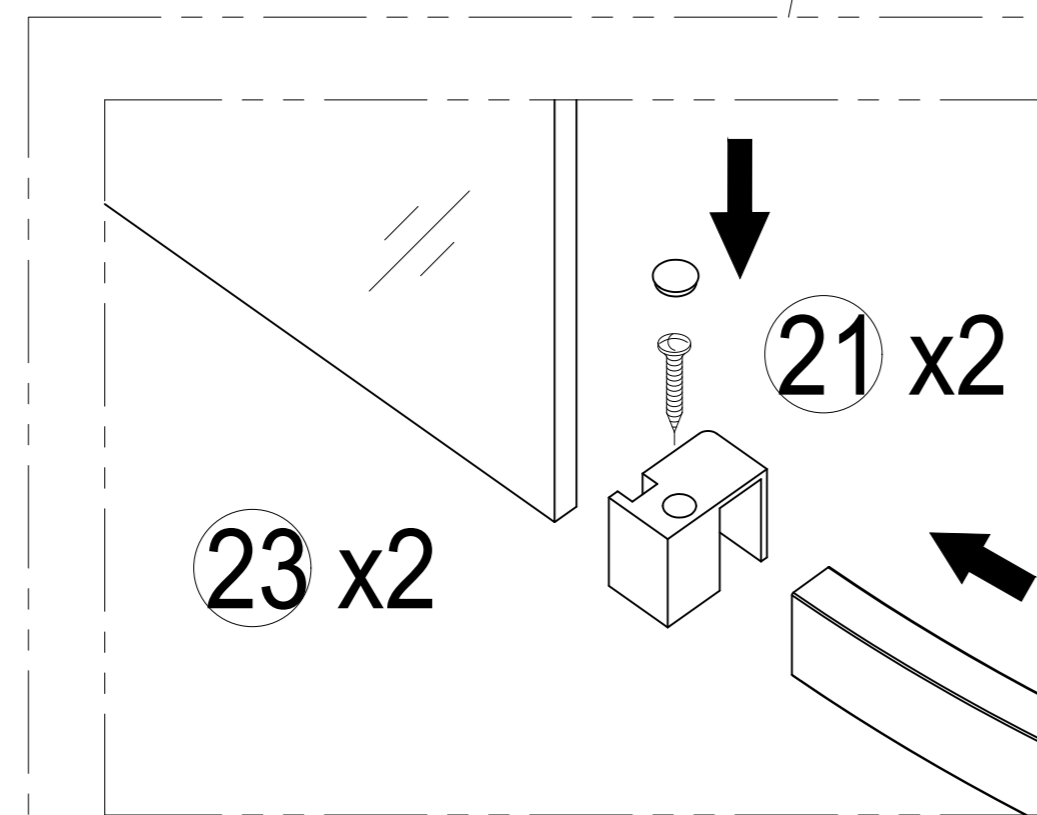
02 x1  
25 x1

If the shower enclosure installed with a tray, please make holes in the tray with  $\Phi 3\text{mm}$  drill and wall plugs are not required;



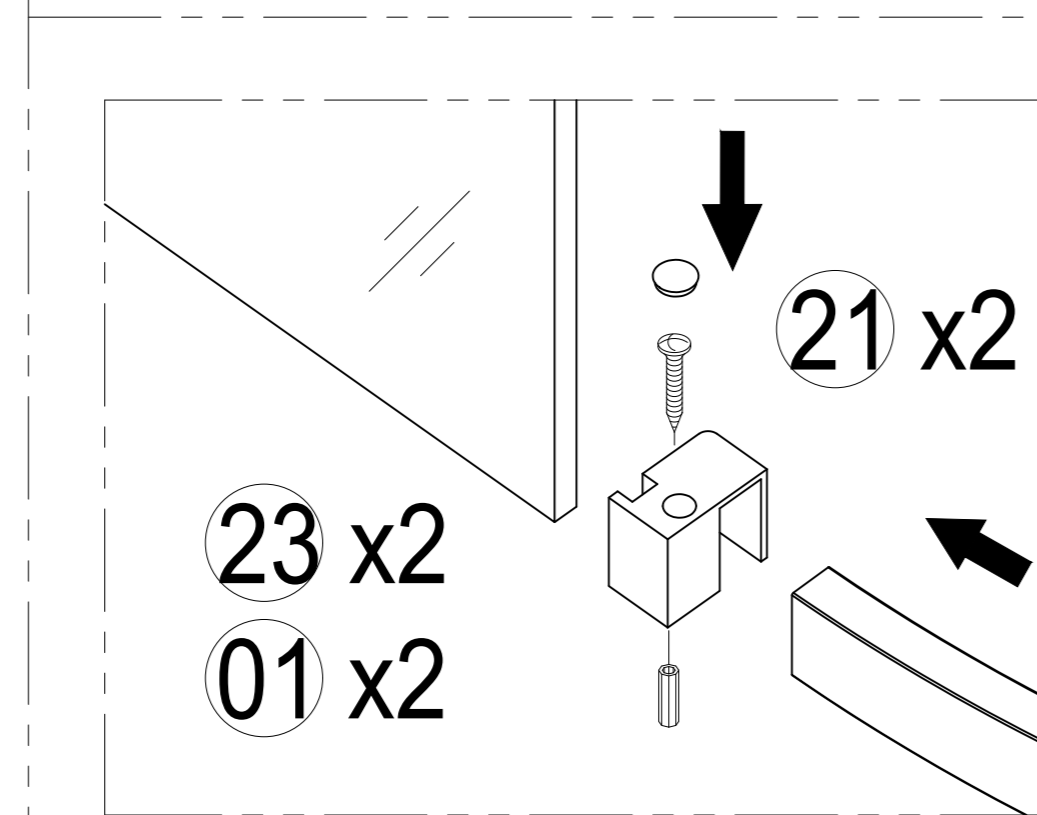
02 x1  
25 x1  
01 x1

If not, please make holes in the floor with  $\Phi 6\text{mm}$  drill and wall plugs are required;



23 x2  
21 x2

If the shower enclosure installed with a tray, please make holes in the tray with  $\Phi 3\text{mm}$  drill and wall plugs are not required;



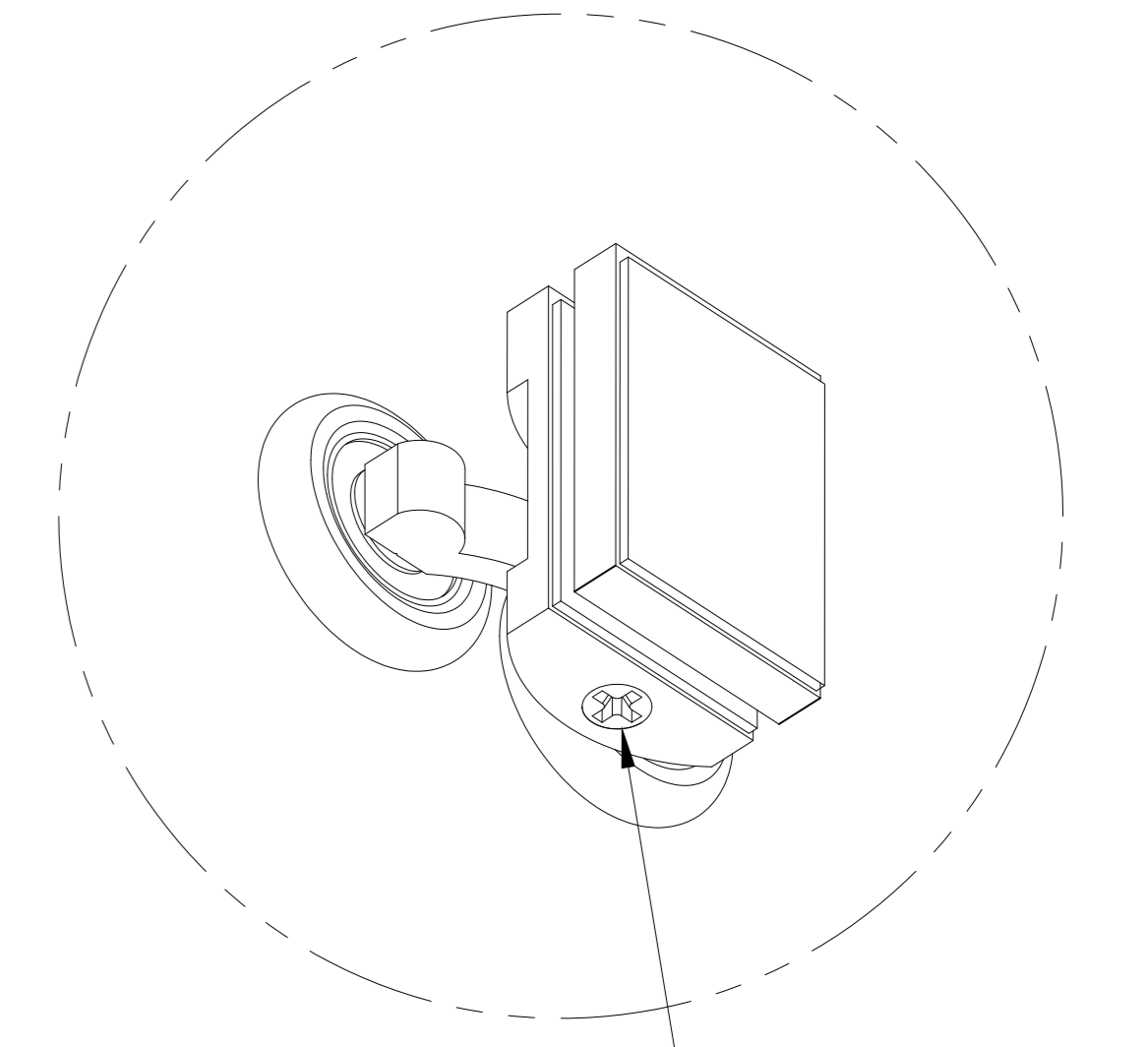
23 x2  
01 x2  
21 x2

If not, please make holes in the floor with  $\Phi 6\text{mm}$  drill and wall plugs are required;

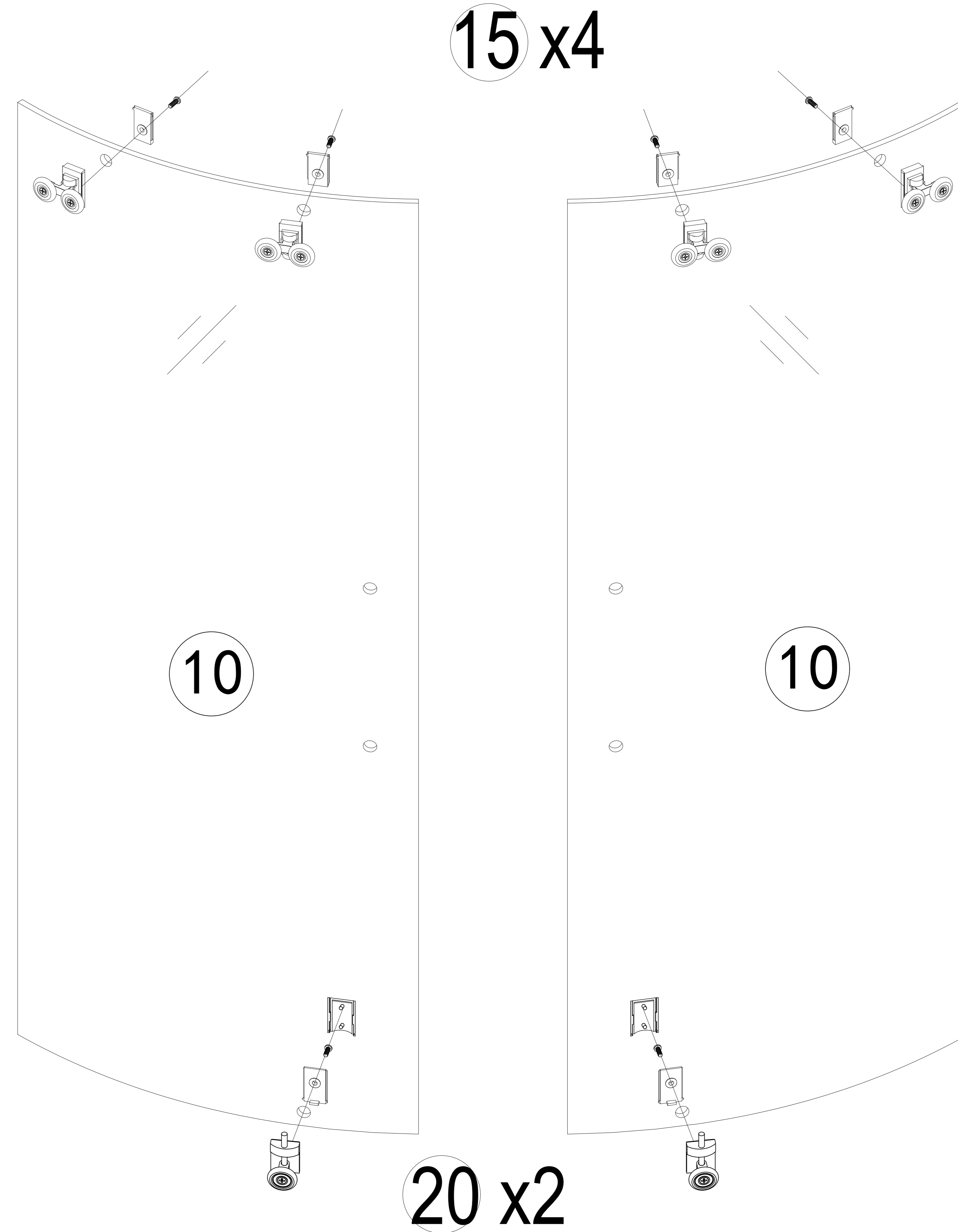
Install panels + frame ensuring fixing for bottom frame are screwed to the tray.

8

Pls don't fully tighten the roller screws.

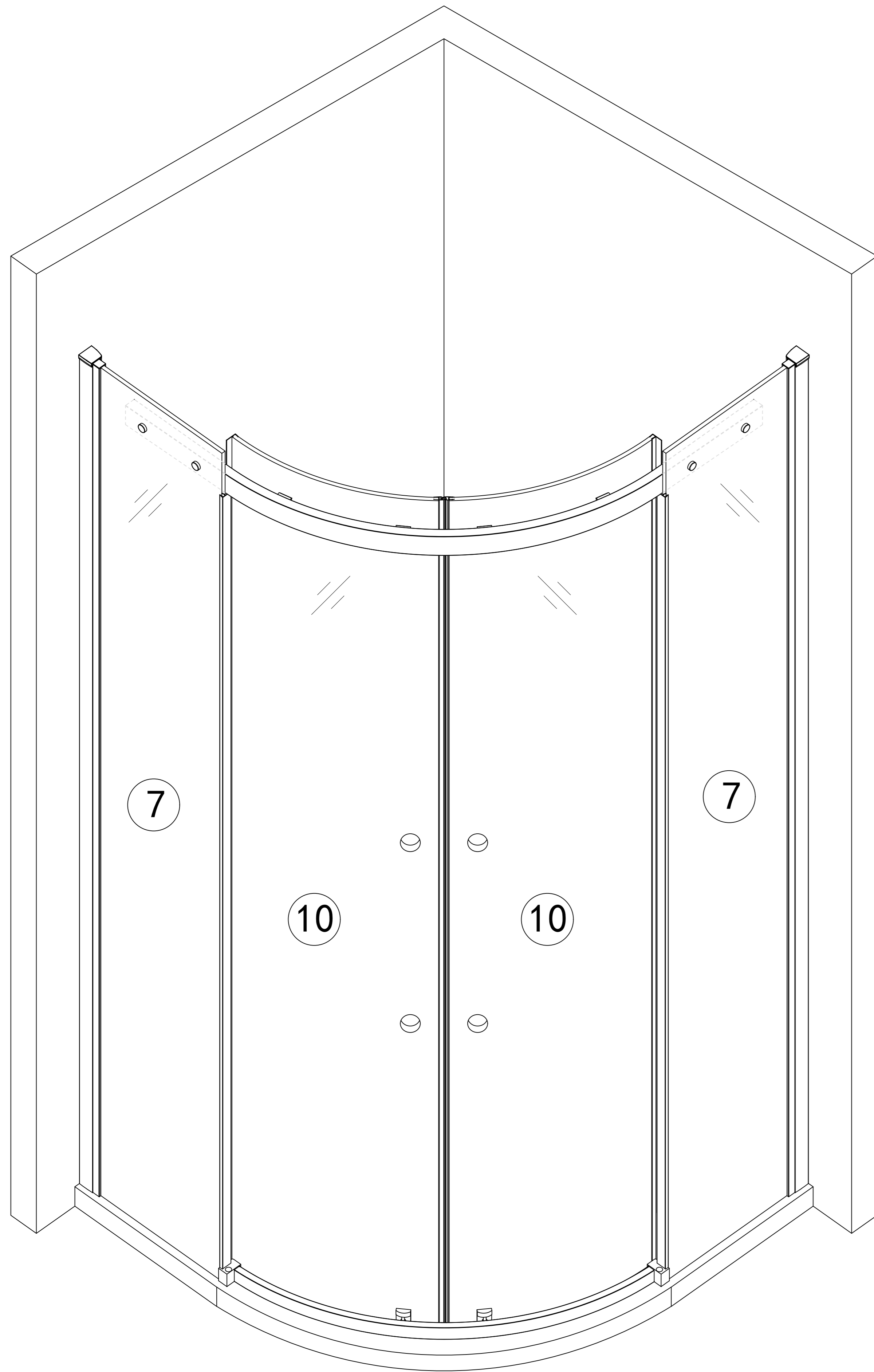


This side faces downward

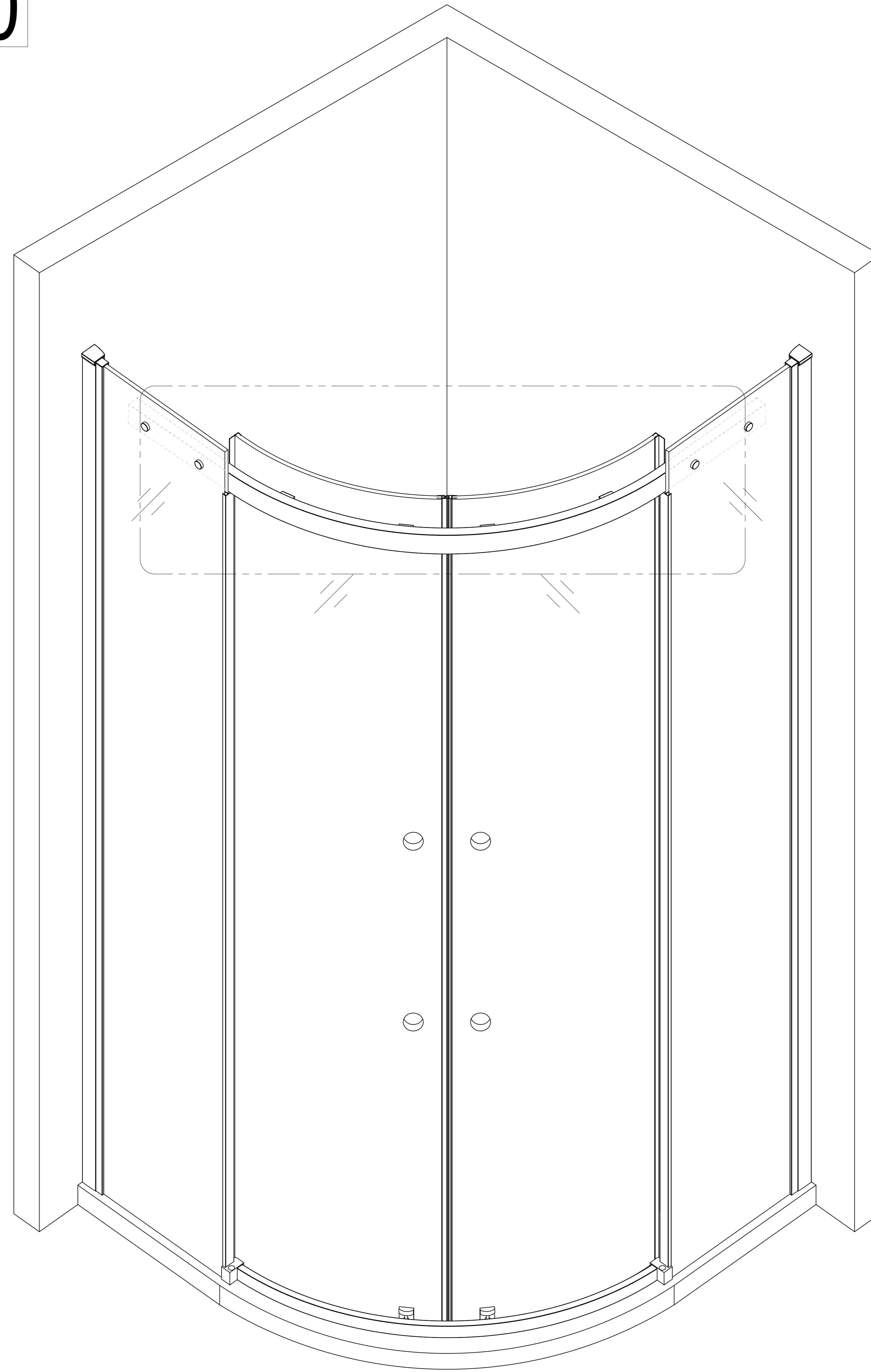


Fit rollers to door

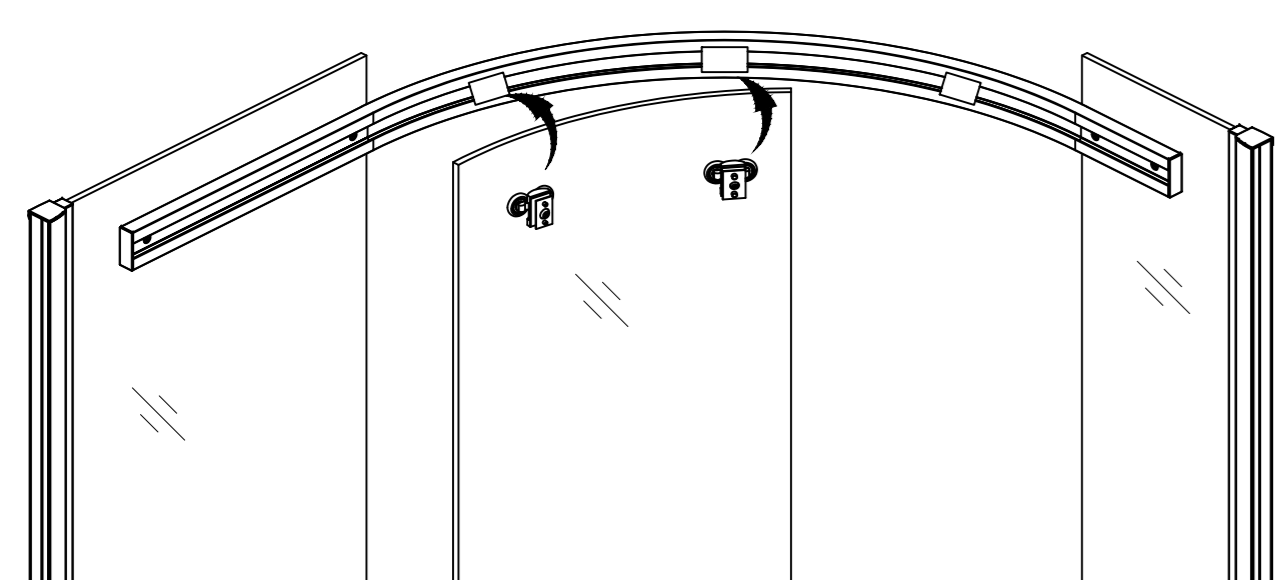
9



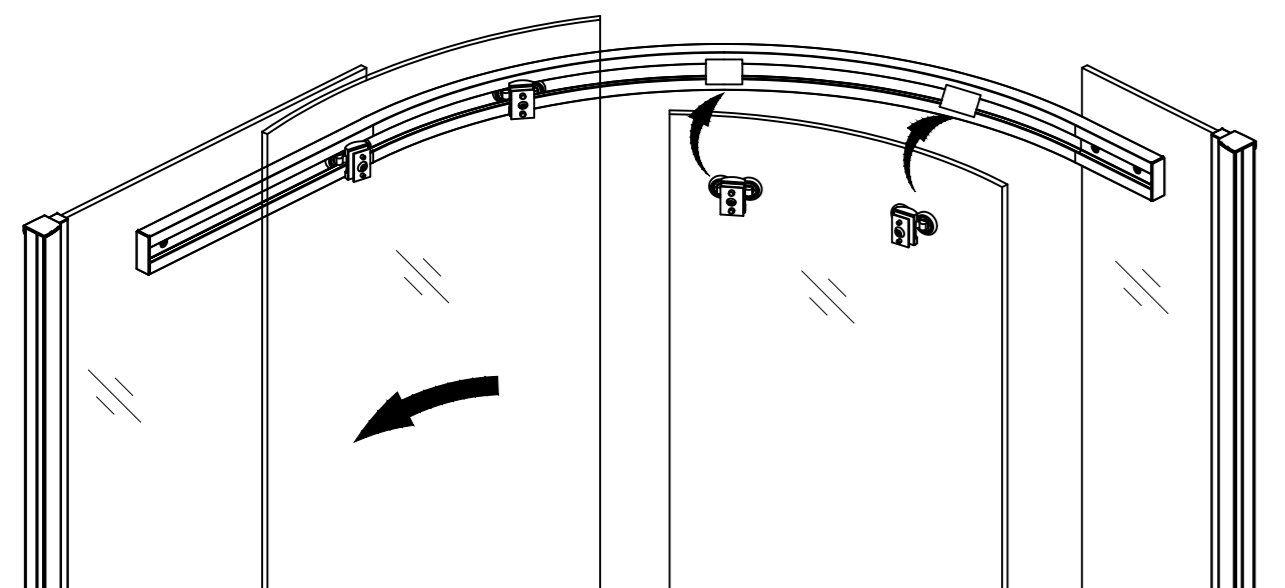
10



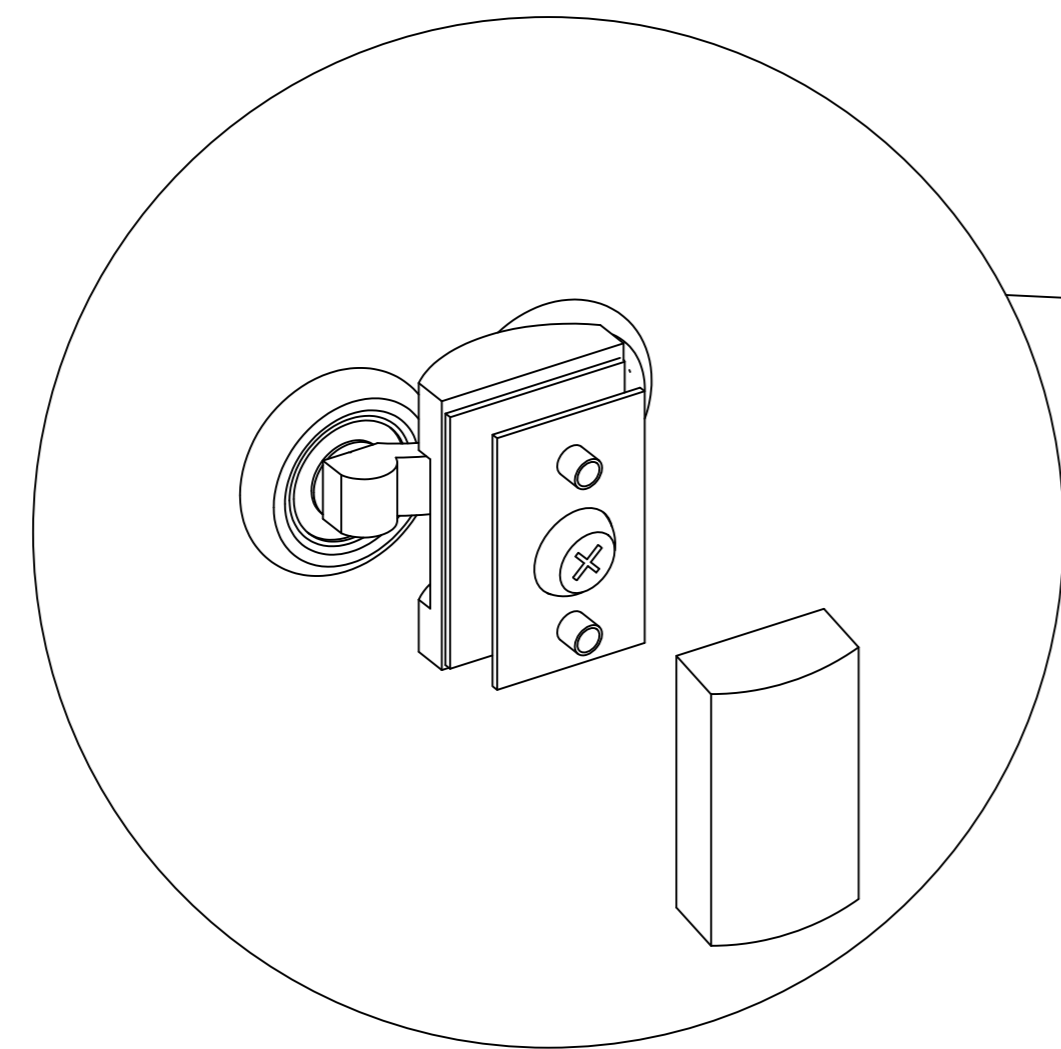
9-1



9-2

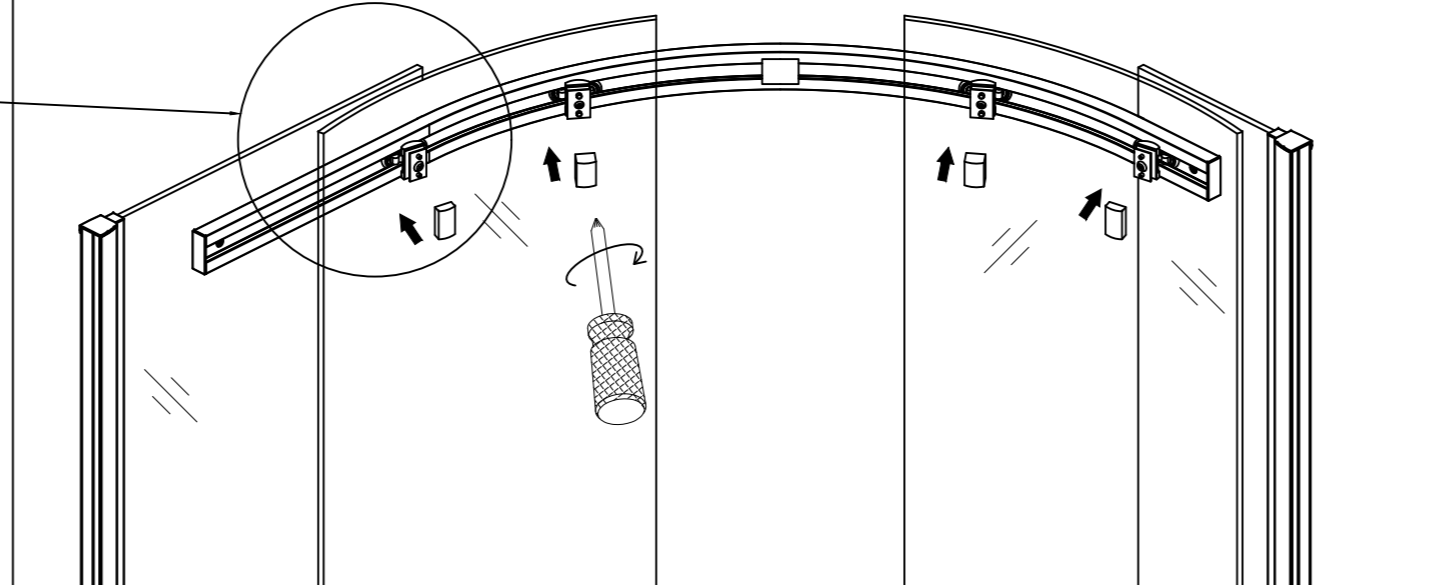


Fit doors onto frame

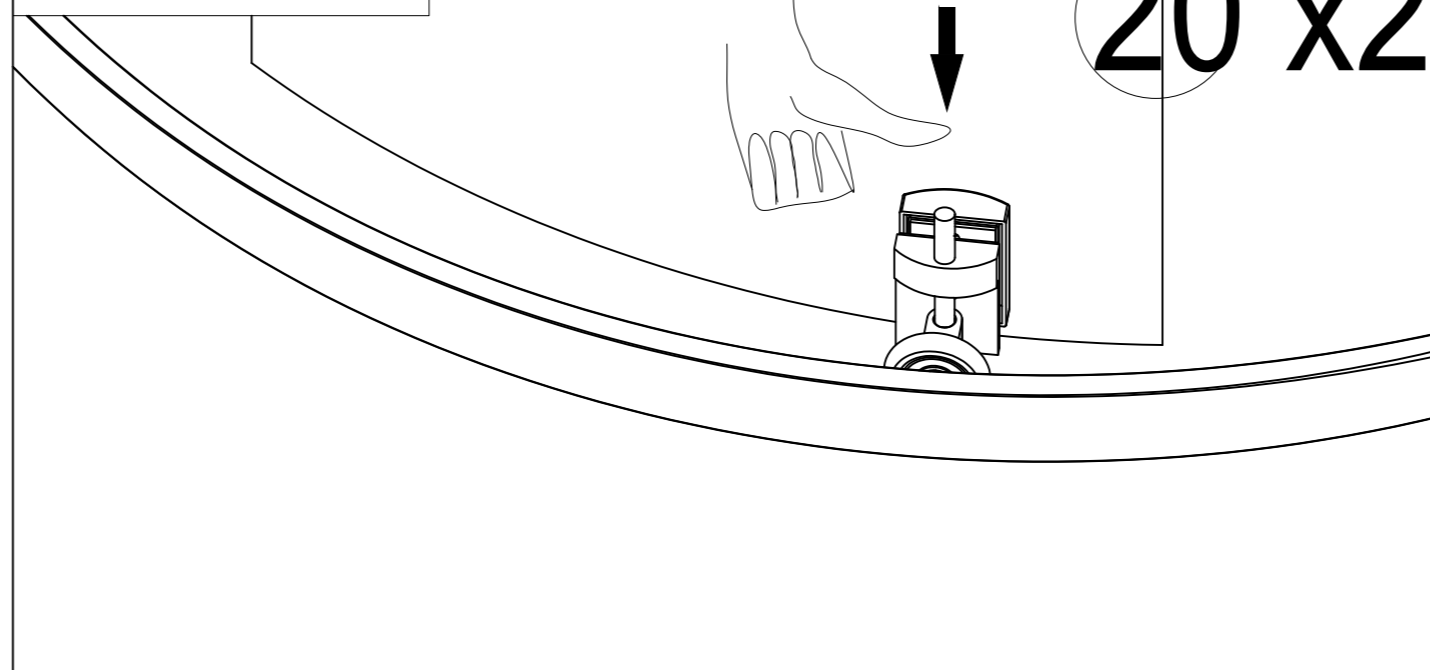


9-3

Pls make sure the rollers are level before well tightened the screws.

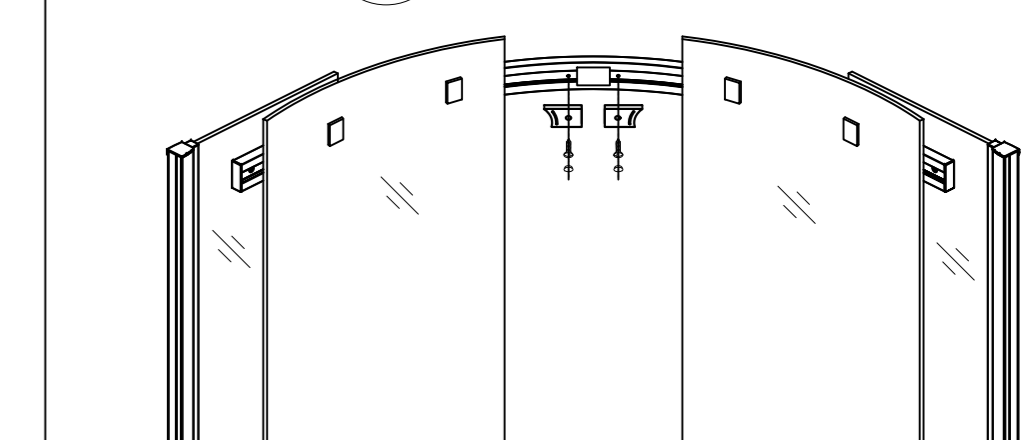


9-4



10-1

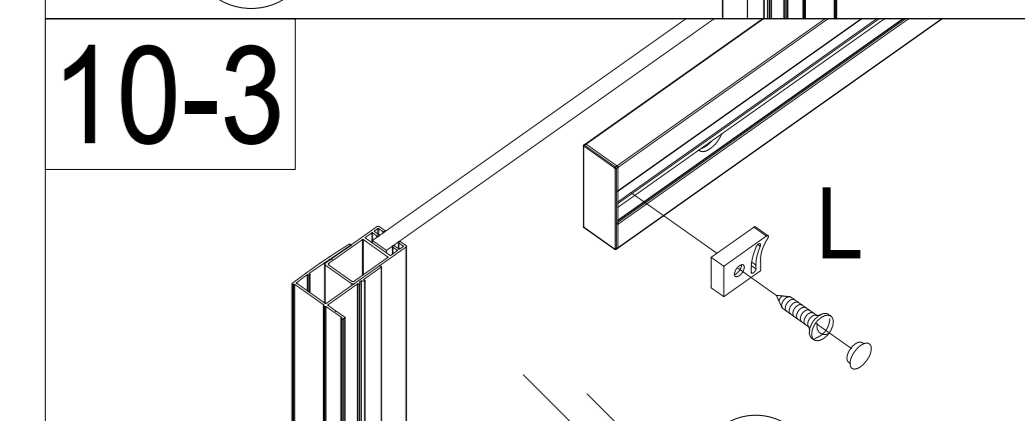
19 x2 18 x2



10-2

R

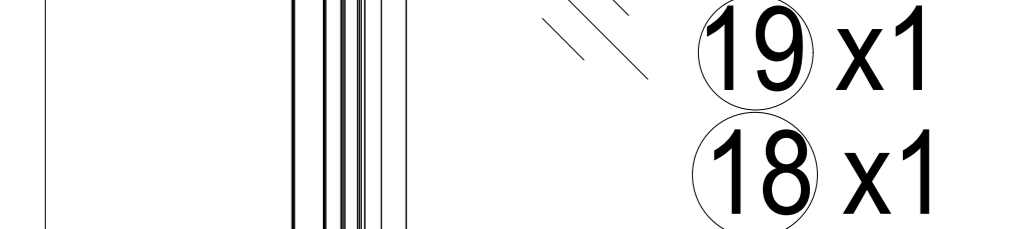
19 x1  
18 x1



10-3

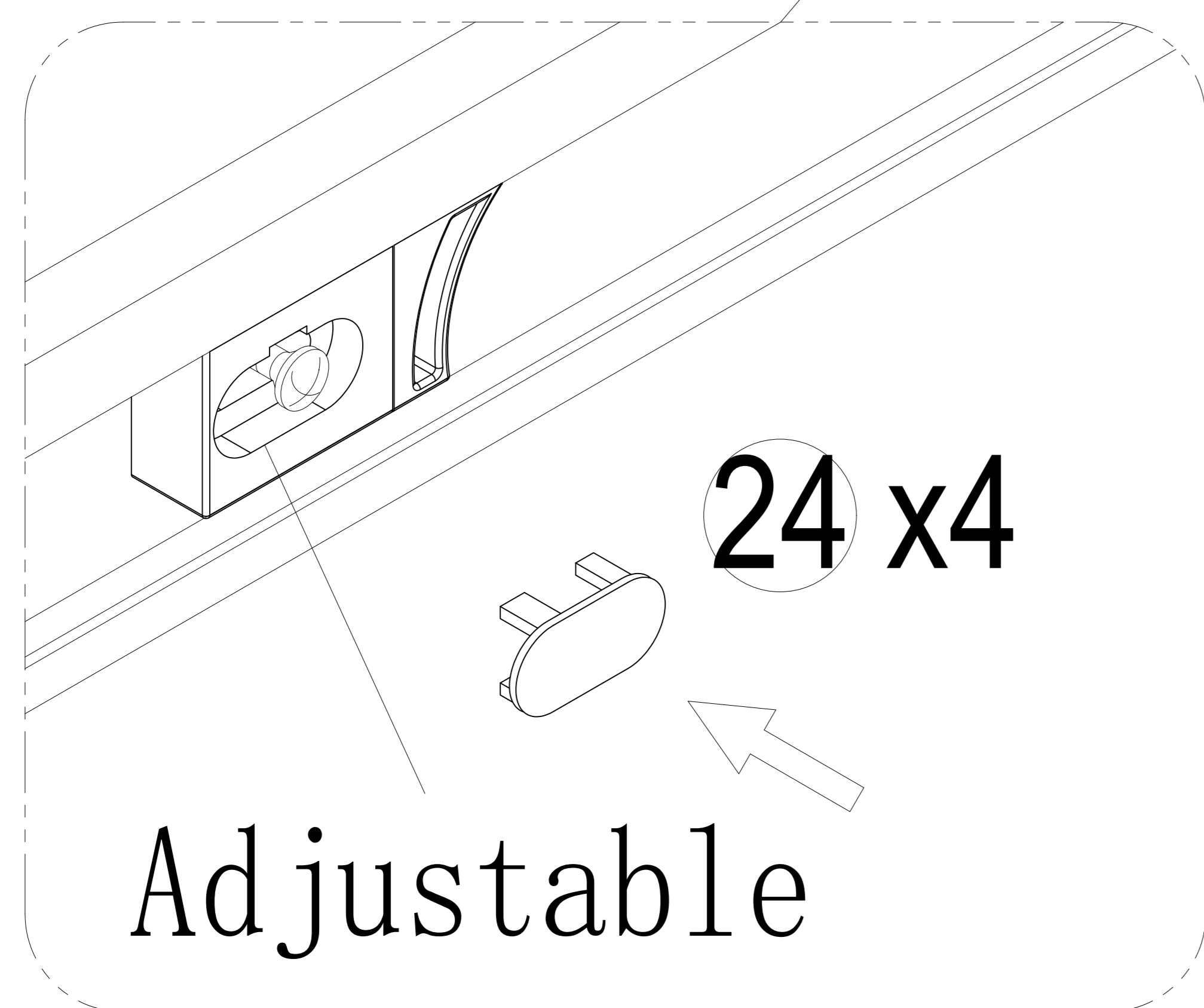
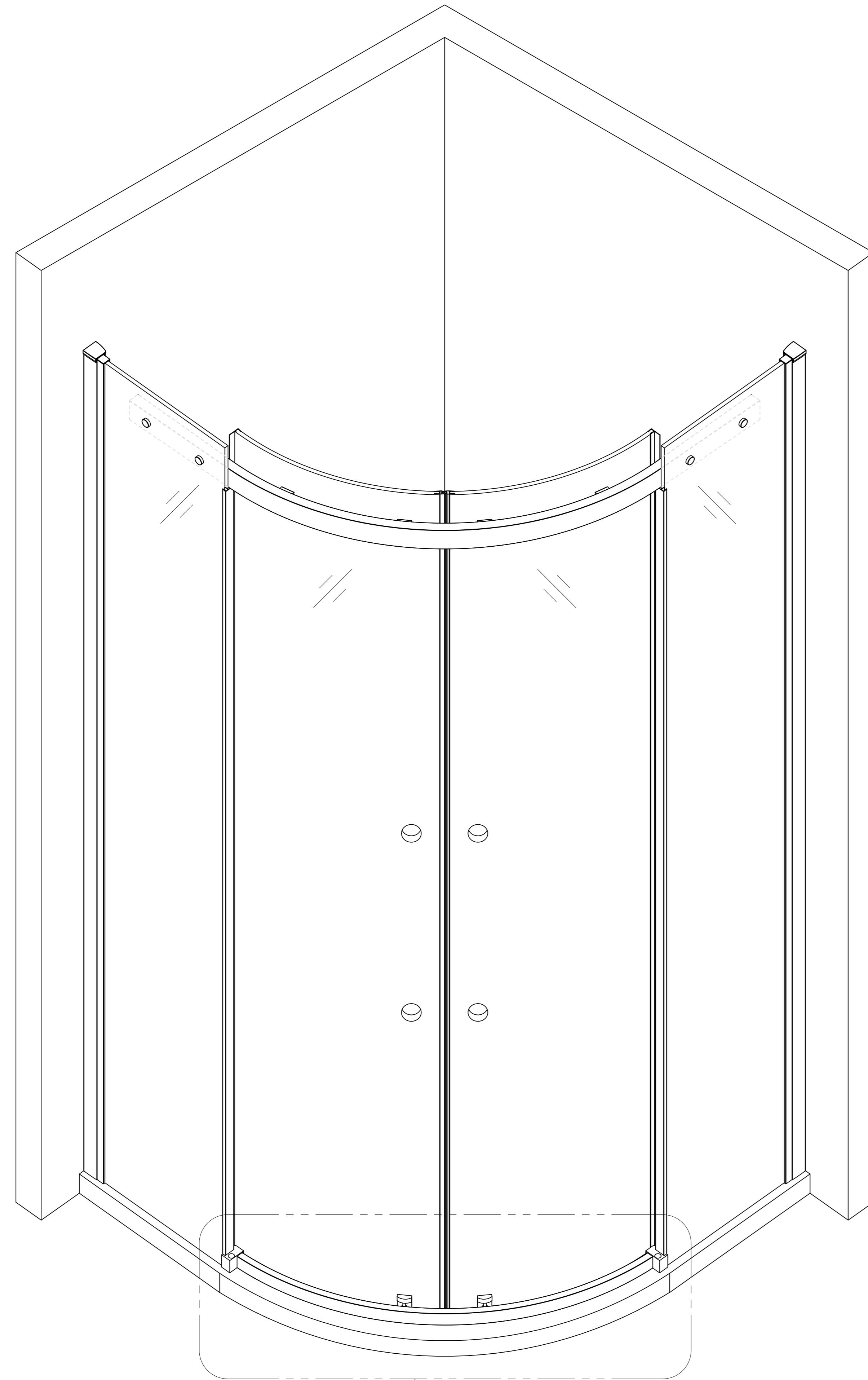
L

19 x1  
18 x1

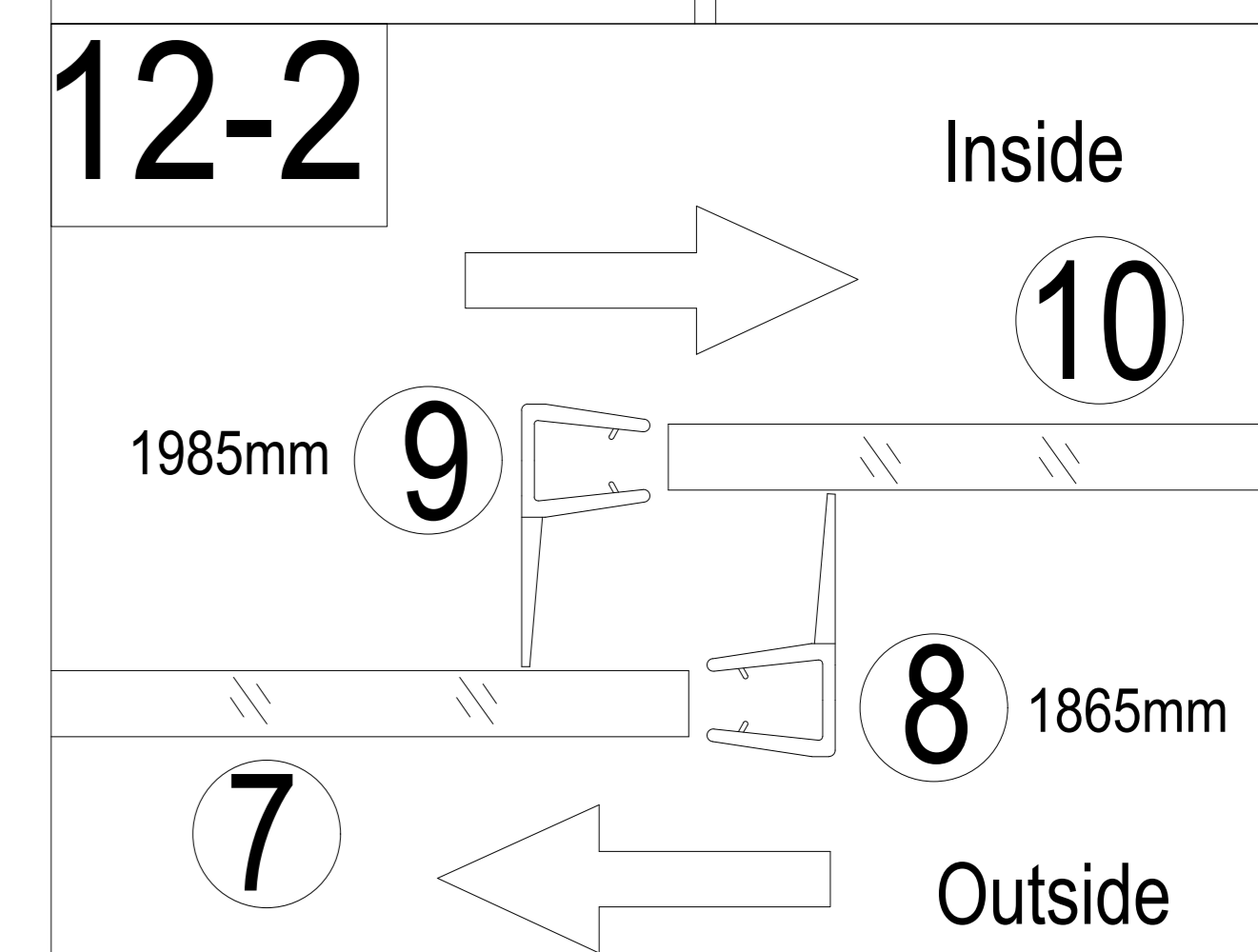
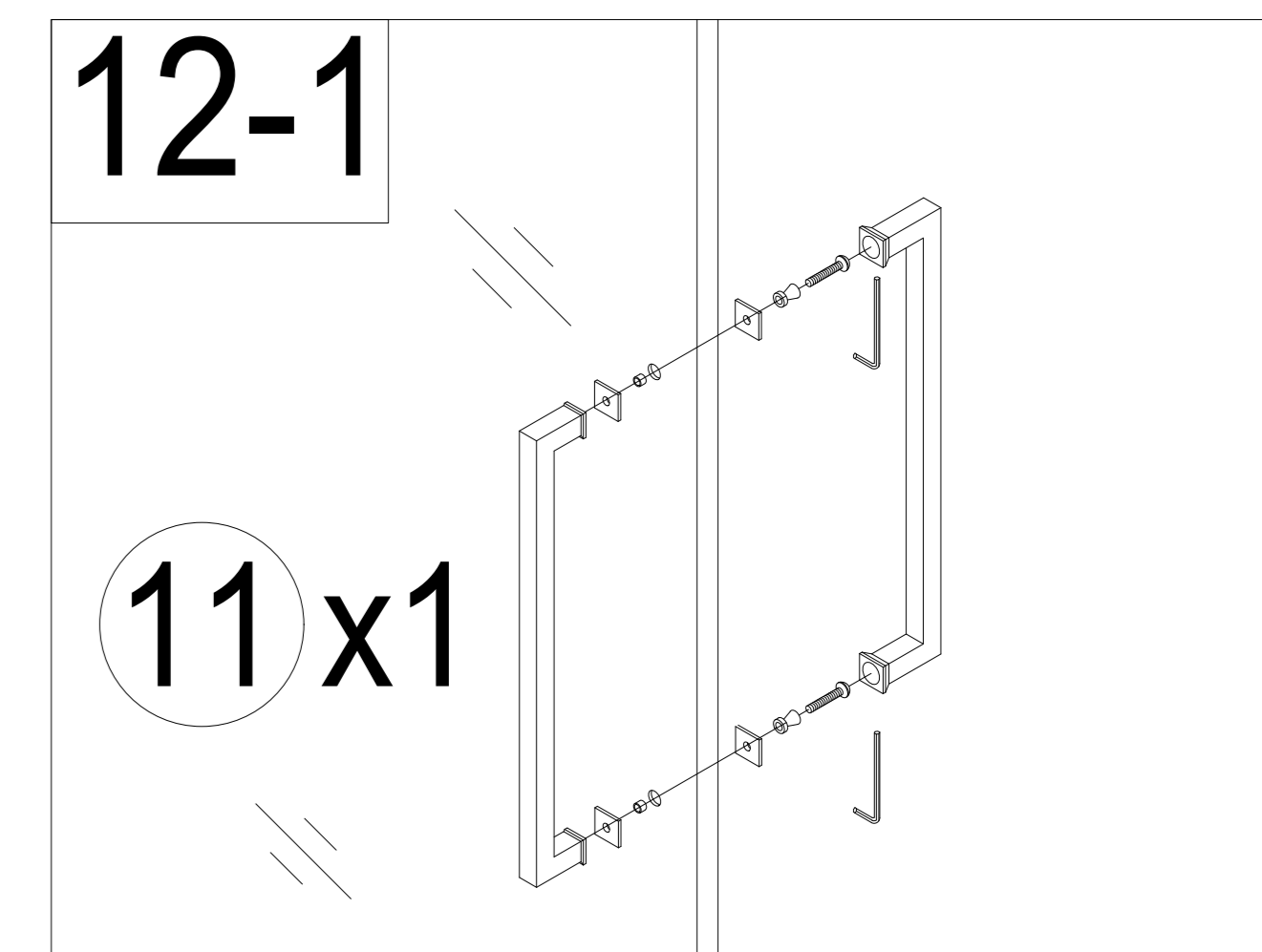
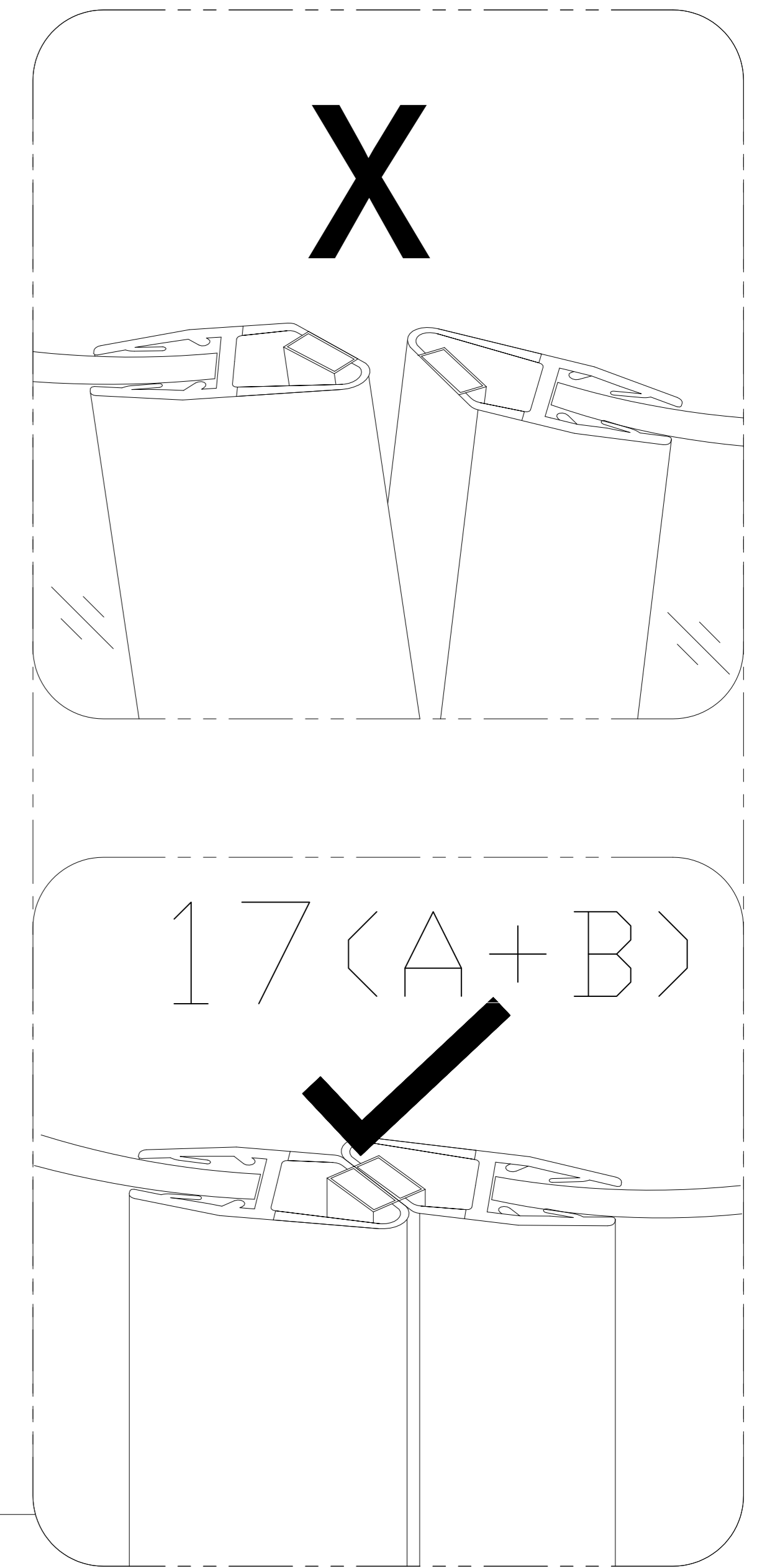
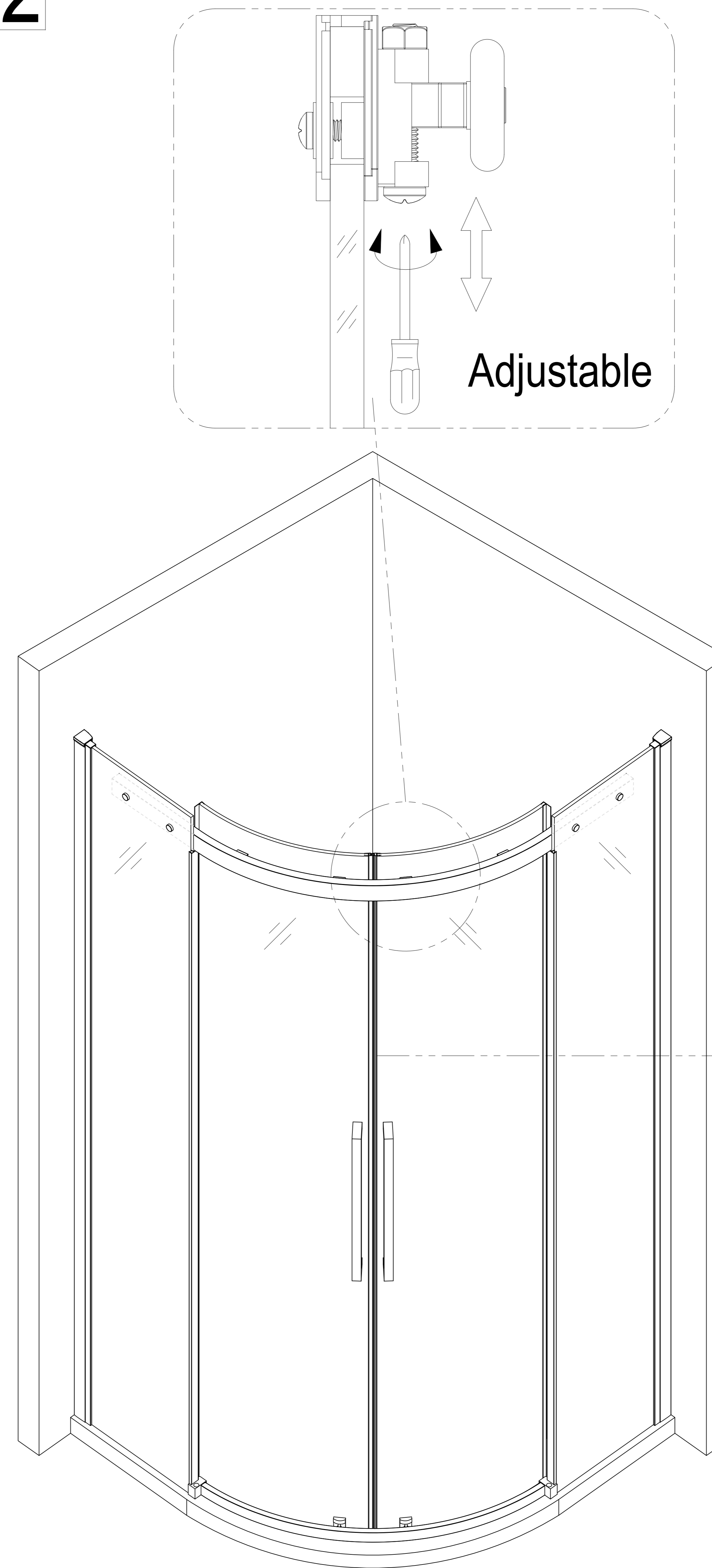


Add door stops to top rail

11

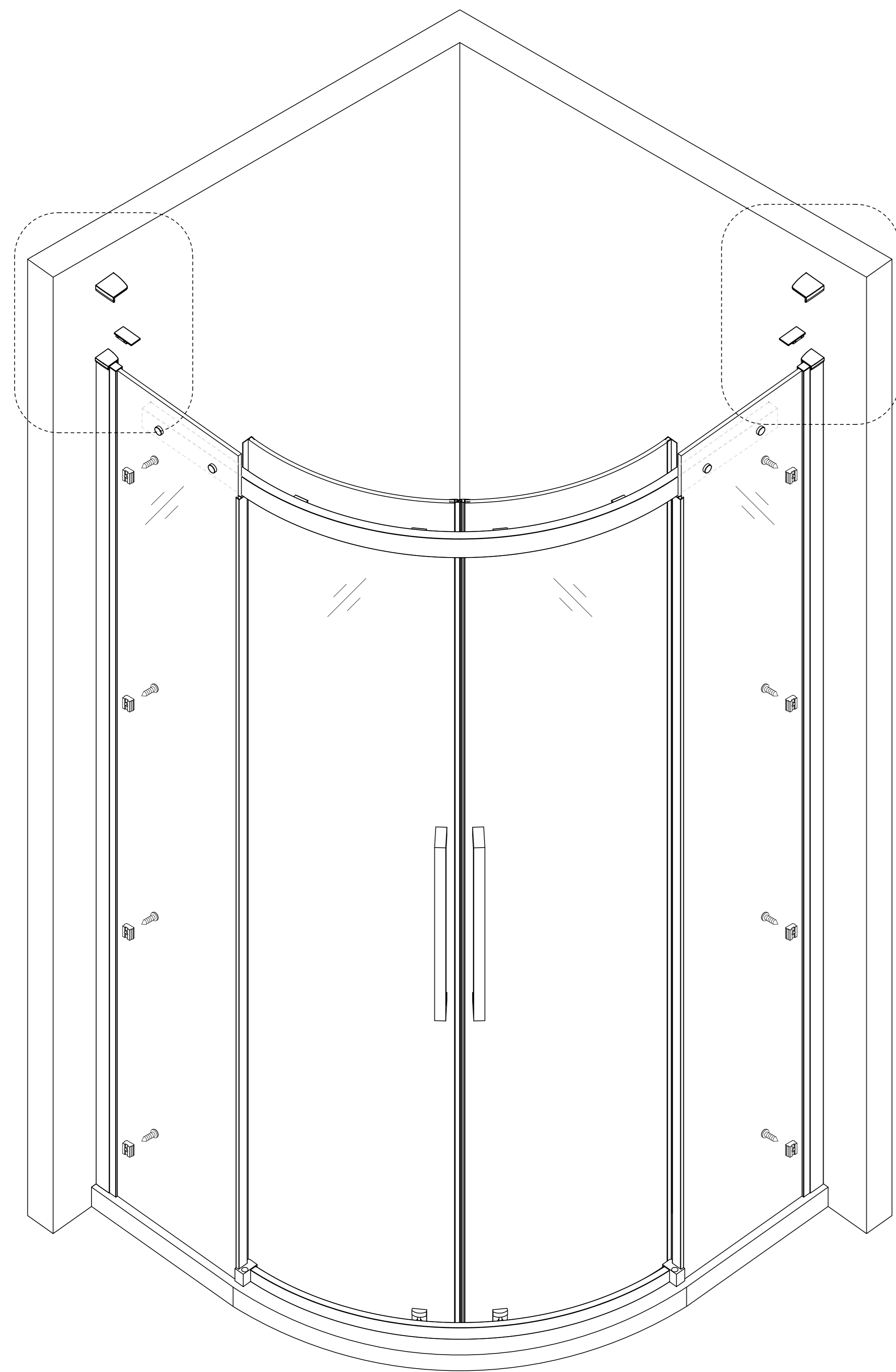


12

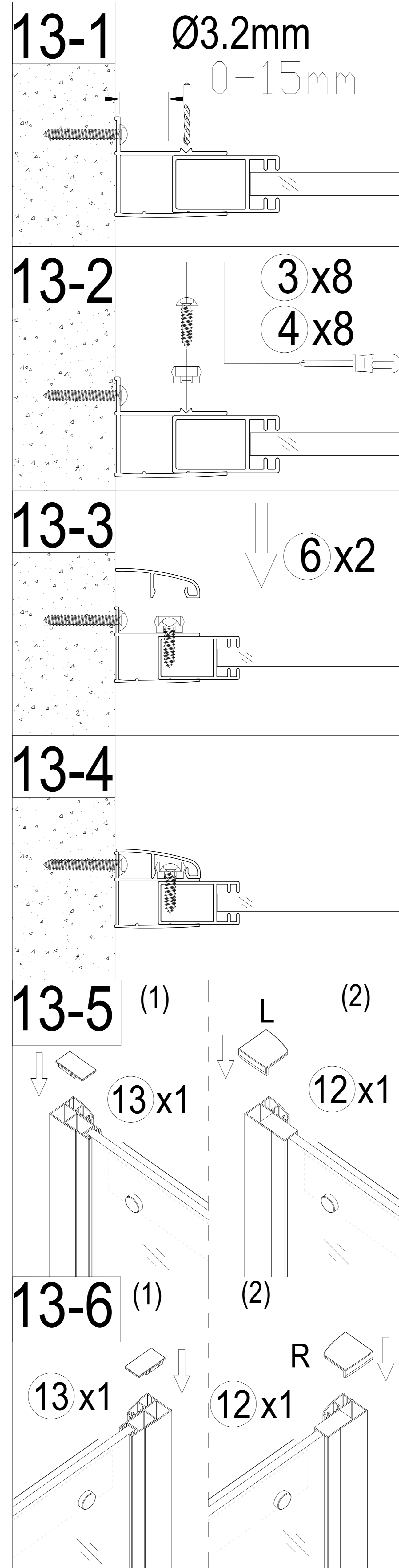


Fit magnetic seals and handles

13



Install profile cover caps

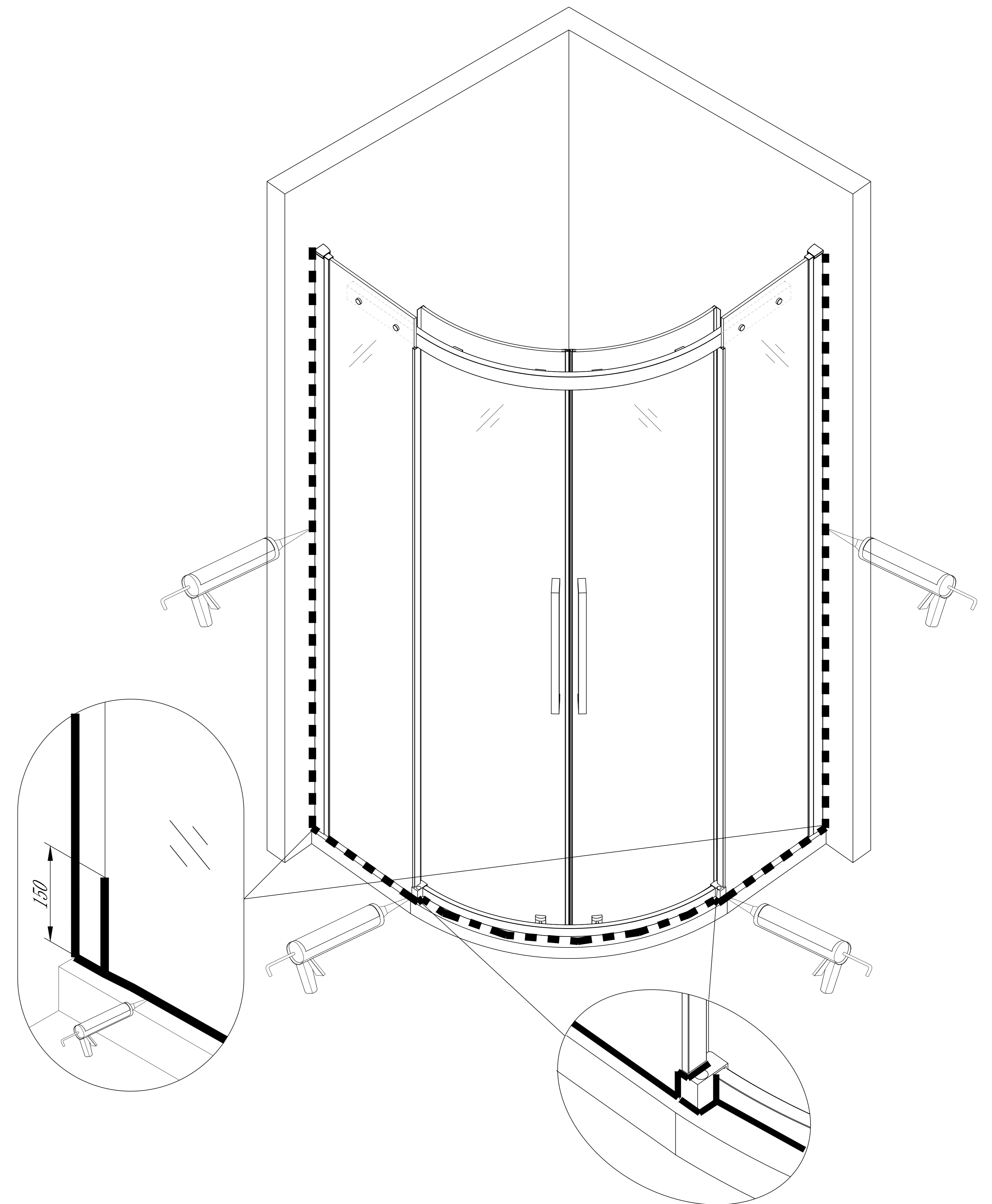


14



Care Instructions:

Do not use your shower enclosure within 24 hours of assembly . Do not use caustic cleaning products or abrasive material when cleaning your shower enclosure.



Silicone on the outside only