

# TECHNICAL DATA SHEET

Dimension Wall Hung Basin 46x26cm ITH - DCI4008

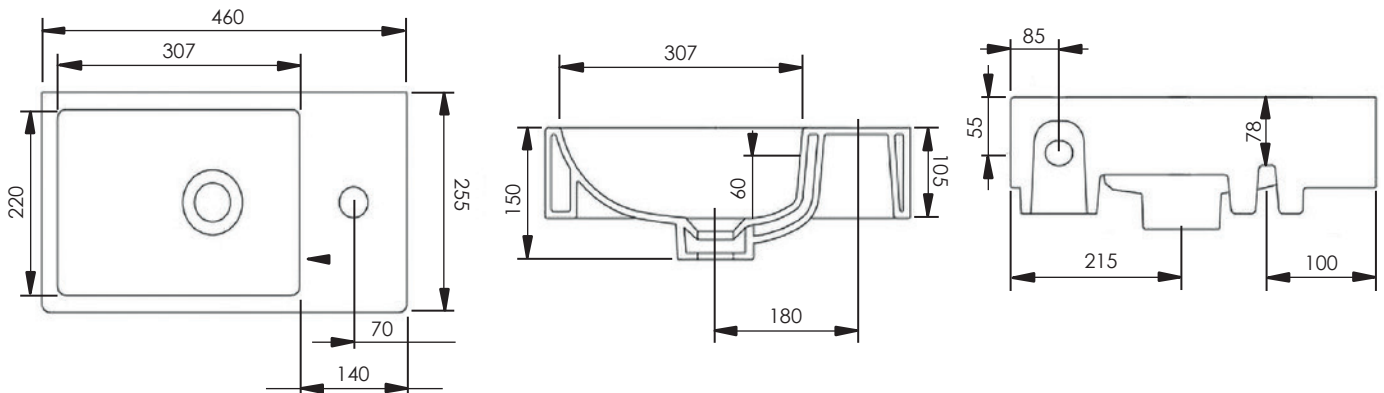
# TAVISTOCK

NO.	Description	Product Code	Fixings included	Gross Weight
I	Dimension Wall Hung Basin 46x26cm ITH	DCI4008	YES	7KG



## DIMENSIONS

DIAGRAMS NOT TO SCALE | ALL DIMENSIONS IN MM TOLERANCE OF ± 5MM  
ALL PRODUCTS CONFORM TO BRITISH STANDARDS



\*Dimensions are subject to change, customers are advised to measure actual product before commencing installation.

\*\*Fixing point dimensions are for guidance only. The positions of fixings must be checked when product is received.

## FAQs

Q - What is the maximum water depth of the basin?

A - 60mm up to the overflow.

Q - Can this basin be wall hung?

A - Yes. Fischer bolts are supplied for use in solid walls.

Q - Does the basin have an integral overflow?

A - Yes

Key Dimensions Descriptions	Key Dimensions (mm)
Internal Bowl Depth	90mm
Internal Bowl Front to Back	220mm
Internal Bowl Left to Right	307mm
Tap Ledge	140mm
Taphole Centre to Waste Centre	180mm
Taphole Centre to Back of Basin	70mm
Waste Centre to Back of Basin	250mm
Width of Rear Basin	460mm
Basin Depth	225mm