

TECHNICAL DATA SHEET

Matrix Square Wall Hung Basin 37x23cm RH - DCI4010

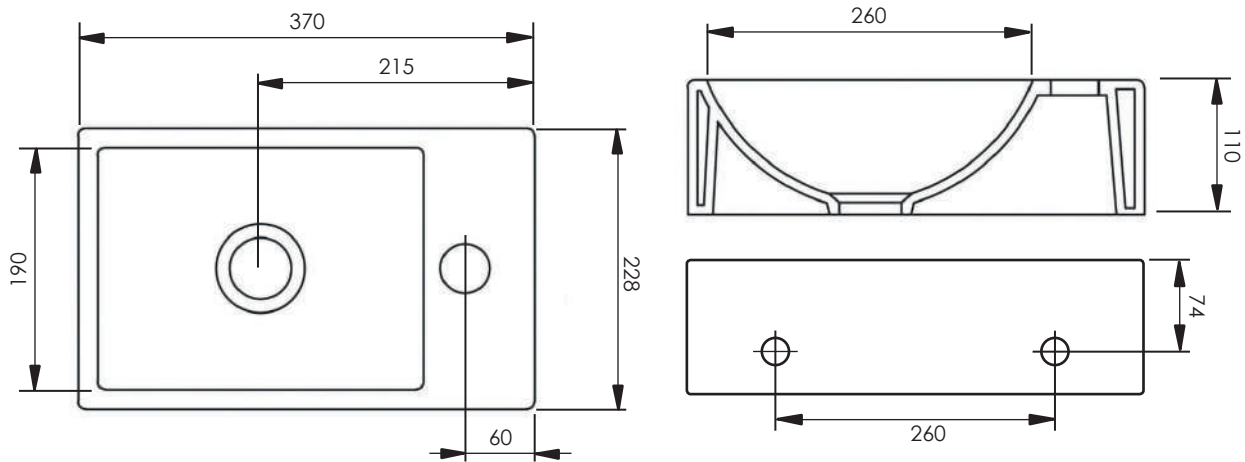
TAVISTOCK

NO.	Description	Product Code	Fixings included	Gross Weight
I	Matrix Square Wall Hung Basin 37x23cm RH	DCI4010	YES	8KG



DIMENSIONS

DIAGRAMS NOT TO SCALE | ALL DIMENSIONS IN MM TOLERANCE OF ± 5mm
ALL PRODUCTS CONFORM TO BRITISH STANDARDS



*Dimensions are subject to change, customers are advised to measure actual product before commencing installation.

**Fixing point dimensions are for guidance only. The positions of fixings must be checked when product is received.

FAQs

Q - What is the maximum water depth of the basin?

A - 70mm up to the edge of the basin.

Q - Can this basin be wall hung?

A - Yes. Fischer bolts are supplied for use in solid walls.

Q - Does the basin have an integral overflow?

A - No. An unslotted waste must be used with this basin.

Key Dimensions Descriptions	Key Dimensions (mm)
Internal Bowl Depth	90mm
Internal Bowl Front to Back	190mm
Internal Bowl Left to Right	260mm
Tap Ledge	?mm
Taphole Centre to Waste Centre	155mm
Taphole Centre to Back of Basin	60mm
Waste Centre to Back of Basin	215mm
Width of Rear Basin	270mm
Basin Depth	228mm