

TECHNICAL DATA SHEET

Traditional Washstand - DC14024

ROPER RHODES®

NO.	Description	Product Code	Fixings included	Gross Weight	Net Weight
1	Traditional Washstand	DC14024	YES	8kg	N/A

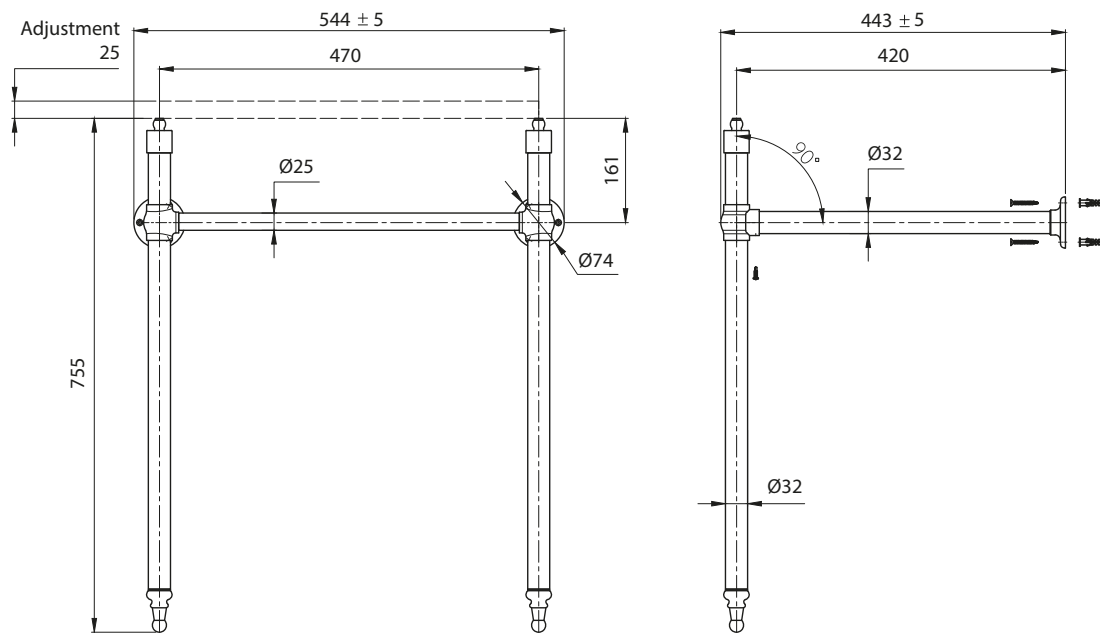


Spares Codes

Washstand Fixing Kit - SP18521

DIMENSIONS

DIAGRAMS NOT TO SCALE | ALL DIMENSIONS IN MM | TOLERANCE OF ± 5MM



*Dimensions are subject to change, customers are advised to measure actual product before commencing installation.

FAQs

Q - What is the washstand made from?
A - Chrome Plated Steel

Key Dimensions Descriptions	Key Dimensions (mm)
Front to Back	443mm
Left to Right	544mm
Height	755mm
Adjustment Height	25mm