

# TECHNICAL DATA SHEET

Micra Evo SCT STD Depth Basin - DCI4029

# TAVISTOCK

NO.	Description	Product Code	Template included	Gross Weight
I	Semi Recess Basin - Standard Depth	DCI4029	YES	12.4KG



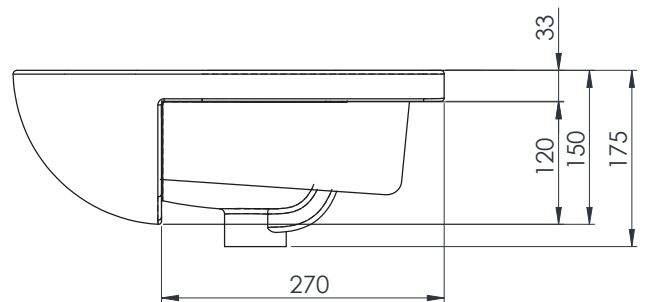
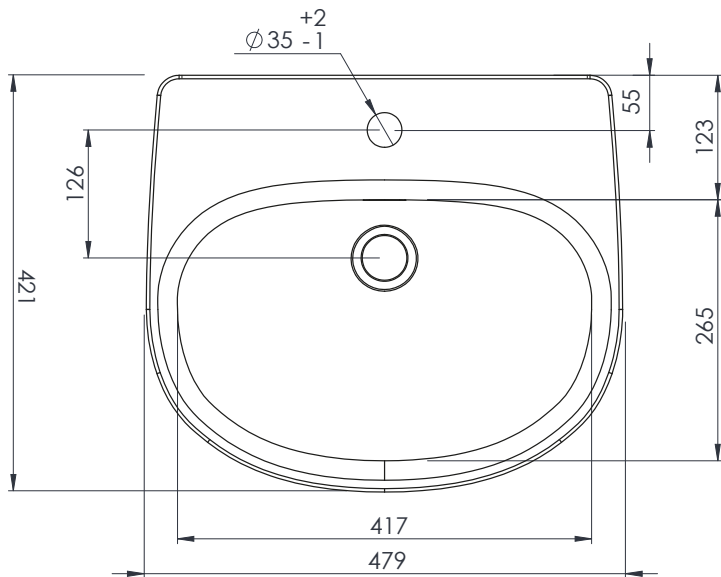
## Spares Codes:

Micra Evo Standard Depth Template - SP18926

Micra Evo Overflow Cover - SP19739

## DIMENSIONS

DIAGRAMS NOT TO SCALE | ALL DIMENSIONS IN MM TOLERANCE OF ± 5MM  
ALL PRODUCTS CONFORM TO BRITISH STANDARDS



\*Dimensions are subject to change, customers are advised to measure actual product before commencing installation.

\*\*Fixing point dimensions are for guidance only. The positions of fixings must be checked when product is received.

## FAQs

Q - Is a fitting template supplied?

A - Yes : Questions on cutting dimensions can be found on the template.

Q - How is the basin fixed to the furniture?

A - Fix to workspace with silicone as per instructions supplied.

Key Dimensions Descriptions	Key Dimensions (mm)
Internal Bowl Depth	125mm
Internal Bowl Front to Back	265mm
Internal Bowl Left to Right	417mm
Tap Ledge	123mm
Taphole Centre to Waste Centre	126mm
Taphole Centre to Back of Basin	55mm
Waste Centre to Back of Basin	181mm
Height of Basin	175mm
Basin Overhang	150mm