

PRODUCT DATA SHEET

Delta Paper Holder Chrome

Product Code: DELTA-006



SCUDO
BEAUTIFUL BATHROOMS

0330 124 7290

sales@scudo.co.uk - www.scudo.co.uk

Scudo is the trading name of Harrison Bathrooms Ltd. Whilst we endeavour to ensure that the product information is accurate we accept no liability for any information given. All images are for illustration purposes only. Product images and specification are subject to change. Measurement are in millimetres and are nominal.

Product Measurements

Product Weight:	0.303kg
Product Width:	115mm
Product Height:	50mm
Product Depth:	N/A
Product Length:	142mm

Product Transportation

Barcode:	5060713724988
Country of Origin:	China
Comodity Code:	8302500000

Primary Packed Measurements

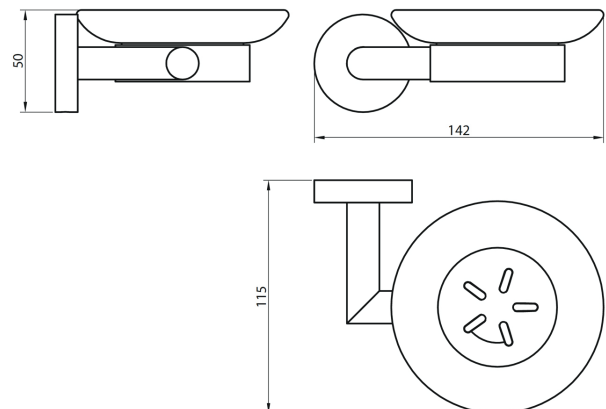
Packaged Weight:	0.400kg
Packaged Length:	125mm
Packaged Width:	80mm
Packaged Height:	145mm

Packaging Weight

Card:	0.2kg
Paper:	N/A
Wood:	N/A
Plastic:	0.05kg

General Information

Construction Material:	Brass
Installation Type:	Wall Mounted
Colour/Finish:	Chrome



Dimensions
(measurements in mm)



LIFETIME GUARANTEE

We are confident in our products and we want our customer to be, we proudly give a lifetime guarantee on our taps and showers, further details can be found on our website