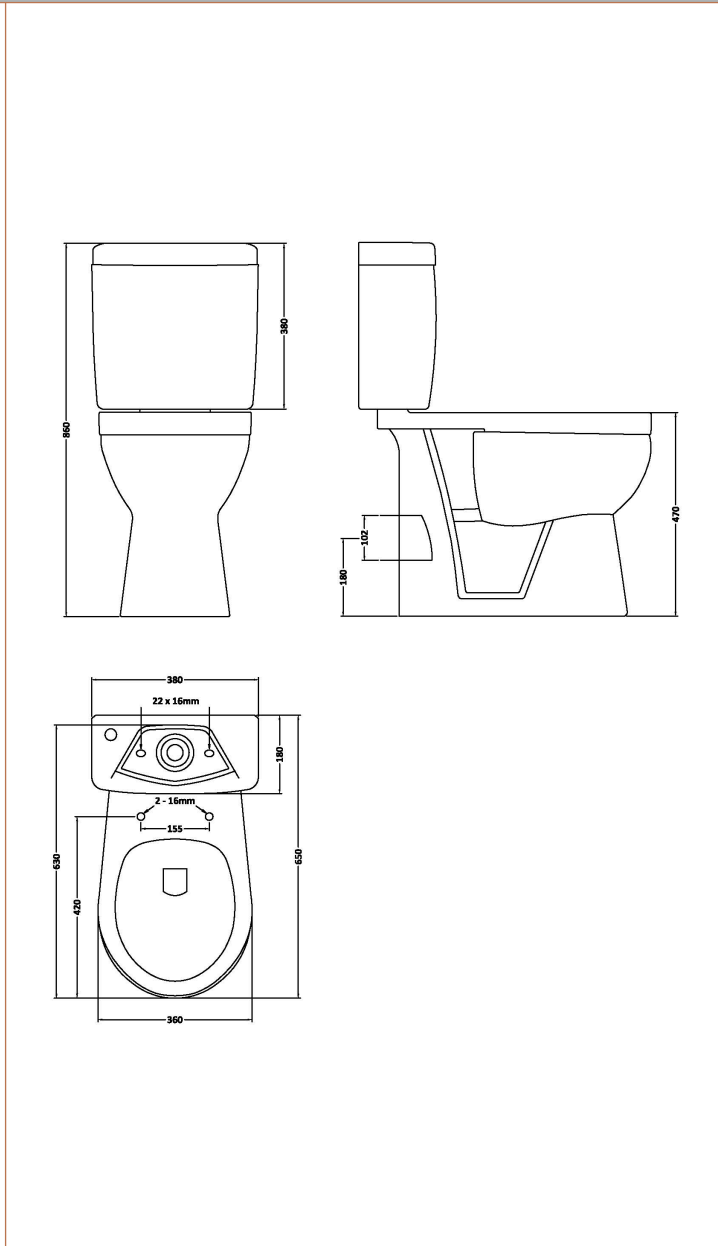


Sales Code: DOCMP100

Description: Doc M Pan Cistern & Seat



Product Dimensions

Height (mm):	
Width (mm):	
Depth (mm):	
Nett Weight (kg):	36.5

Packaging Dimensions

Height (mm):	500
Width (mm):	390
Depth (mm):	690
Gross Weight (kg):	36.5

Packaging Data

Box Colour:	Brown Cardboard Box - Printed		
Box Qty:	1		
Label Size:	100 x 50		
Label Colour:	White Label		
Label Qty:	2		

Outer Box Dimensions (If Applicable)

Height (mm):	
Width (mm):	
Depth (mm):	
Gross Weight (kg):	
Barcode:	5055369041770

Product Details

Country of Origin:	China		
Fitting Instruction:	No		
Certification:	CE: Yes	WRAS: N/A	WRAS No: N/A
Product Material:	Vitreous China		
Fixing Supplied:	No		

Pans/Bidets: Trap Style: P Trap Includes Seat: Yes

Seats: Seat Type: Round Material: Polypropylene
 Function: Soft Close Hinge Type: Bottom Fix
 Hinge Material: Plastic

Cisterns: Operating Type: Push Button Fittings: Loose Single 6L
 Lever Type: Paddle Chrome Plater

Basins: Tap Hole: Not Applicable Chain Stay Hole: Not Applicable
 Template: Not Applicable Waste Type Req: Not Applicable
 Overflow Inc: Yes Overflow Cover: Not Applicable
 Inner Bowl Depth (mm): N/A