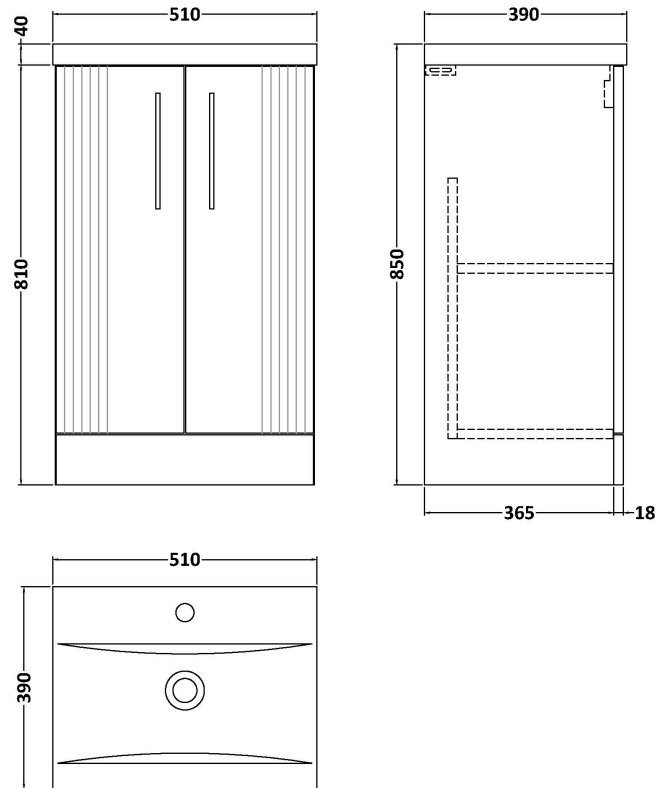


Sales Code: DPF823A

Description: 500 Fs 2-Door Vanity & Basin 1

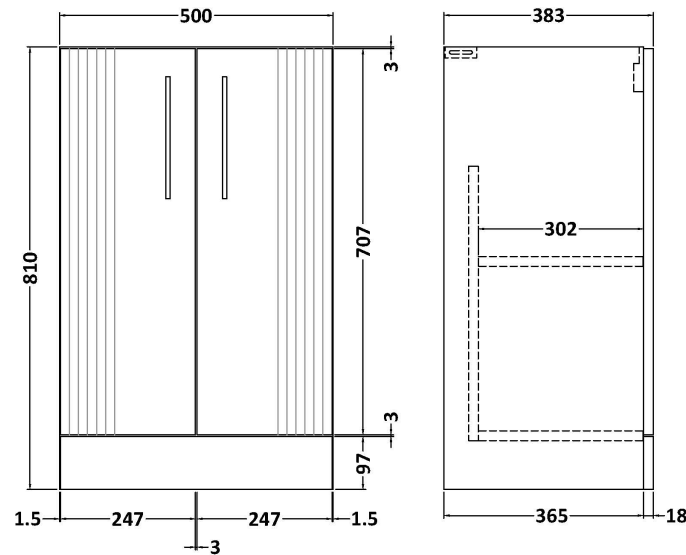


### Packaging Details

Barcode: 5056462674889

Sales Code: FLT823

Description: 500 F/S 2-Door Unit



### Product Dimensions

|                   |      |
|-------------------|------|
| Height (mm):      | 810  |
| Width (mm):       | 500  |
| Depth (mm):       | 383  |
| Nett Weight (kg): | 21.5 |

### Packaging Dimensions

|                    |     |
|--------------------|-----|
| Height (mm):       | 830 |
| Width (mm):        | 520 |
| Depth (mm):        | 405 |
| Gross Weight (kg): | 22  |

### Packaging Data

|               |                               |
|---------------|-------------------------------|
| Box Colour:   | Brown Cardboard Box - Printed |
| Box Qty:      | 0                             |
| Label Size:   | 0 x 0                         |
| Label Colour: | Not Applicable                |
| Label Qty:    | 0                             |

### Outer Box Dimensions (If Applicable)

|                    |               |
|--------------------|---------------|
| Height (mm):       |               |
| Width (mm):        |               |
| Depth (mm):        |               |
| Gross Weight (kg): |               |
| Barcode:           | 5056462655314 |

### Product Details

|                          |                      |
|--------------------------|----------------------|
| Country of Origin:       | China                |
| Fitting Instruction:     | No                   |
| CE Certification:        |                      |
| FSC Certified Materials: | Yes                  |
| Colour:                  | Satin Green          |
| Construction Method:     | Cam & Wood Dowel     |
| Construction Type:       | Rigid                |
| Cabinet Finish:          | MFC Painted Gloss    |
| Fascia Finish:           | Mdf Painted Gloss    |
| Cabinet Thickness (mm):  | 16                   |
| Fascia Thickness (mm):   | 18                   |
| Drawer Included:         | No                   |
| Drawer Type:             | Not Applicable       |
| No of Shelves:           | 1                    |
| Hinge Type:              | 95 Degree Soft Close |
| Hinge Included:          | Yes, Supplied        |
| Adjustable Legs:         | No, Not Required     |
| Fixings Included:        | Yes                  |
| Handle Style:            | Modern               |
| Waste Shroud:            | Not Applicable       |
| Handle Included:         | Yes, Supplied        |
| Handle Type:             | Finger Pull          |

Sales Code: NVM012

Description: 500 Mid-Edged Basin 1 Th



### Product Dimensions

|                   |       |
|-------------------|-------|
| Height (mm):      | 180   |
| Width (mm):       | 510   |
| Depth (mm):       | 390   |
| Nett Weight (kg): | 10.54 |

### Packaging Dimensions

|                    |       |
|--------------------|-------|
| Height (mm):       | 210   |
| Width (mm):        | 410   |
| Depth (mm):        | 530   |
| Gross Weight (kg): | 10.54 |

### Packaging Data

|               |                               |
|---------------|-------------------------------|
| Box Colour:   | Brown Cardboard Box - Printed |
| Box Qty:      | 1                             |
| Label Size:   | 100 x 50                      |
| Label Colour: | White Label                   |
| Label Qty:    | 2                             |

### Outer Box Dimensions (If Applicable)

|                    |               |
|--------------------|---------------|
| Height (mm):       |               |
| Width (mm):        |               |
| Depth (mm):        |               |
| Gross Weight (kg): |               |
| Barcode:           | 5055369043446 |

### Product Details

|                      |                               |
|----------------------|-------------------------------|
| Country of Origin:   | China                         |
| Fitting Instruction: | No                            |
| Certification:       | CE: No WRAS: N/A WRAS No: N/A |
| Product Material:    | Vitreous China                |
| Fixing Supplied:     | No                            |

**Pans/Bidets:** Trap Style: Not Applicable Includes Seat: Not Applicable

**Seats:** Seat Type: Not Applicable Material: Not Applicable  
Function: Not Applicable Hinge Type: Not Applicable  
Hinge Material: Not Applicable

**Cisterns:** Operating Type: Not Applicable Fittings: Not Applicable  
Lever Type: Not Applicable

**Basins:** Tap Hole: One Taphole Chain Stay Hole: No  
Template: Not Required Waste Type Req: Slotted  
Overflow Inc: Yes Overflow Cover: Yes  
Inner Bowl Depth (mm): 125mm