

TAP034PH- PHASE MINI MONO BASIN MIXER WITH CLICK WASTE

ILLUSTRATION: PHASE MINI MONO BASIN MIXER

BAR CODE: 5055681405694

COLOUR: CHROME PLATE

WEIGHT:

NET 0.68 kg (tap only)

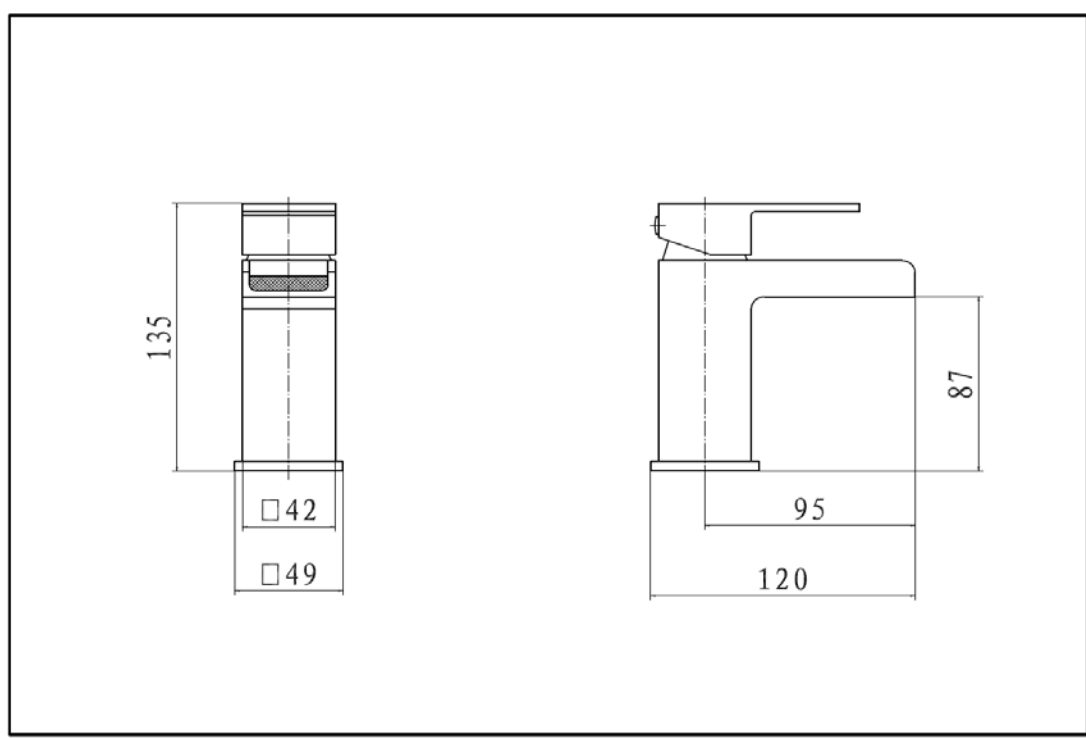
GROSS 1.28 kg

STANDARDS: BS EN 200

NOTES: SUPPLIED WITH CLICK WASTE
1/2" BSP FLEXI HOSES
CERAMIC DISC CARTRIDGE TECHNOLOGY

Flow Rate: L.P

| 0.2bar | 0.5bar | 1bar | 2bar | 3bar |
|----------|----------|-----------|-----------|-----------|
| 7.4L/min | 9.2L/min | 11.7L/min | 15.5L/min | 18.4L/min |



BOX SIZE 190 x 150 x 70 mm

TAP035PH- PHASE MONO BASIN MIXER WITH CLICK WASTE

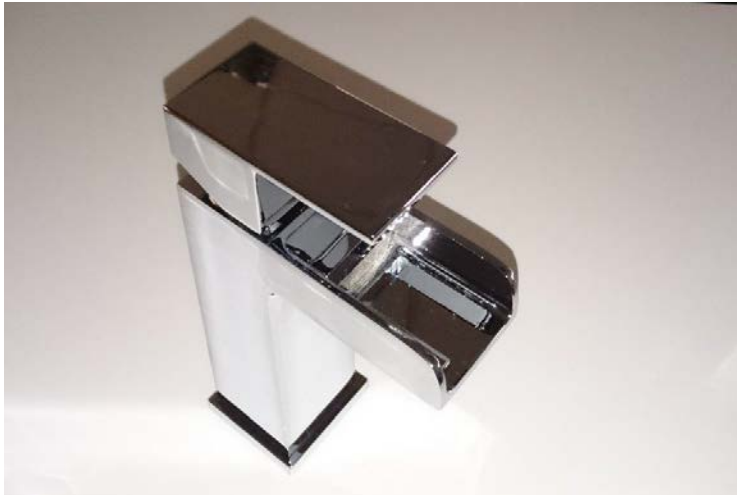


ILLUSTRATION: PHASE MONO BASIN MIXER

BAR CODE: 5055681405700

COLOUR: CHROME PLATE

WEIGHT:

NET 0.90 kg (tap only)

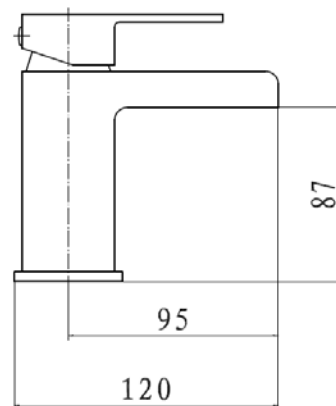
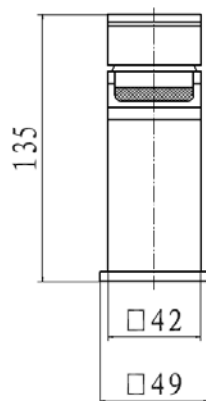
GROSS 1.45 kg

STANDARDS: BS EN 200

**NOTES: SUPPLIED WITH CLICK WASTE
1/2" BSP FLEXI HOSES
CERAMIC DISC CARTRIDGE TECHNOLOGY**

Flow Rate: L.P

| | | | | |
|----------|----------|----------|----------|----------|
| 0.2bar | 0.5bar | 1bar | 2bar | 3bar |
| 2.3L/min | 3.6L/min | 4.6L/min | 6.8L/min | 8.4L/min |



BOX SIZE 220 x 150 x 90 mm

TAP036PH - PHASE BATH FILLER



ILLUSTRATION: PHASE BATH FILLER

BAR CODE: 5055681405724

COLOUR: CHROME PLATE

WEIGHT:

NET 2.35 kg (tap only)

GROSS 2.7 kg

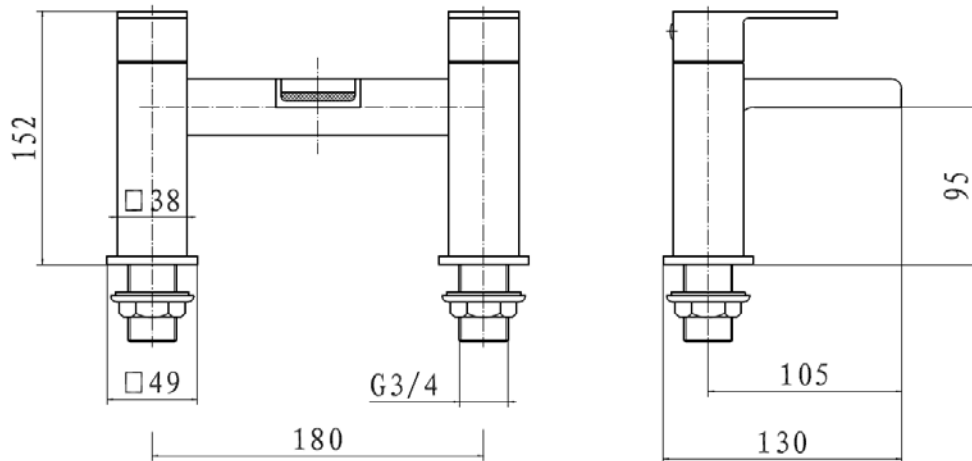
STANDARDS: BS EN 200

NOTES:

**3/4" BSP CONNECTIONS
CERAMIC DISC TECHNOLOGY**

Flow Rate: M.P

| 0.2bar | 0.5bar | 1bar | 2bar | 3bar |
|----------|----------|----------|-----------|-----------|
| 3.7L/min | 5.4L/min | 7.4L/min | 10.3L/min | 12.4L/min |



BOX SIZE 250 x 210 x 155 mm

TAP037PH-PHASE BATH SHOWER MIXER

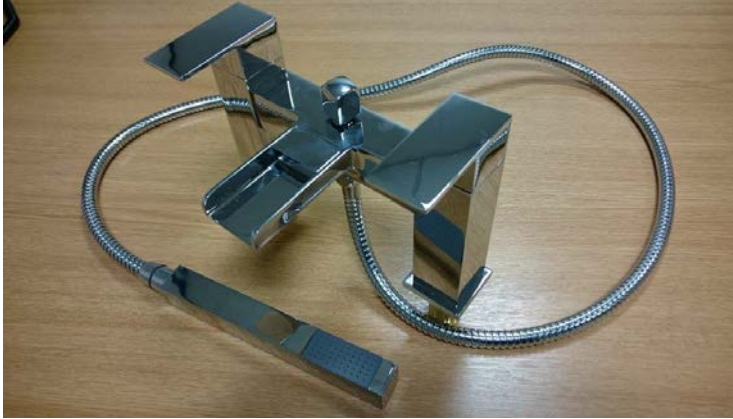


ILLUSTRATION: PHASE BATH SHOWER MIXER

BAR CODE: 5055681405717

COLOUR: CHROME PLATE

WEIGHT:

NET 2.58 kg (tap only)

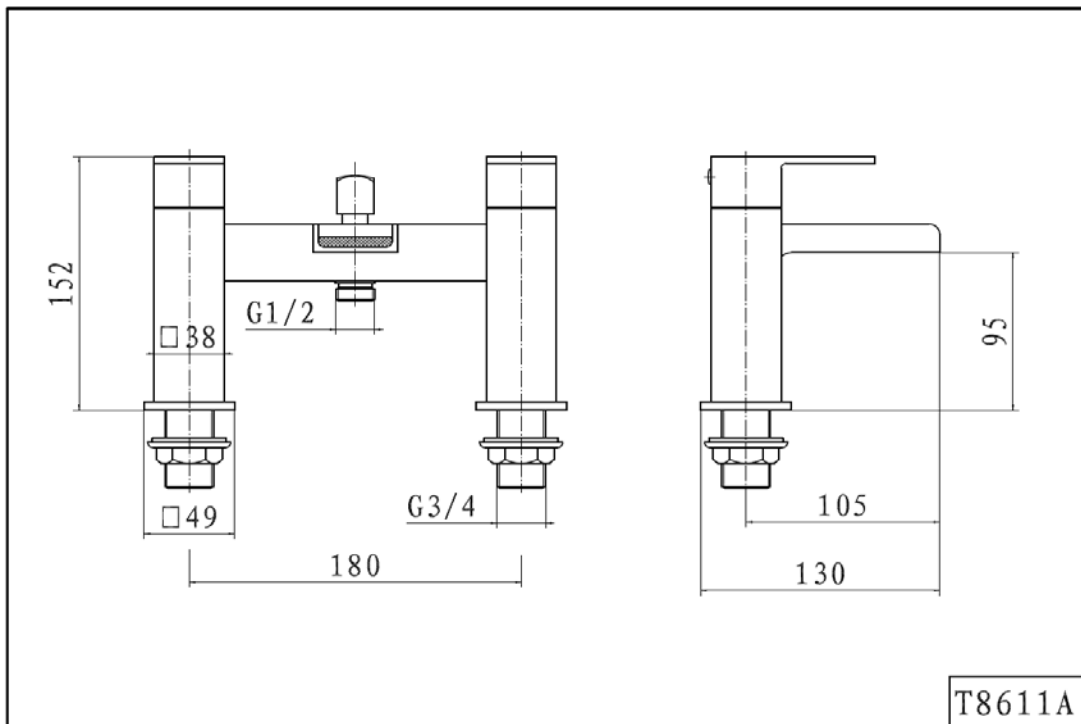
GROSS 3.29 KG

STANDARDS: BS EN 200

**NOTES: SHOWER HOSE AND HAND SET
3/4" BSP CONNECTIONS
CERAMIC DISC TECHNOLOGY
WALL BRACKET**

Flow Rate: M.P

| 0.2bar | 0.5bar | 1bar | 2bar | 3bar |
|----------|-----------|-----------|-----------|-----------|
| 9.3L/min | 14.5L/min | 20.8L/min | 29.5L/min | 38.1L/min |



BOX SIZE 250 x 210 x 160 mm