

TAP170LE- LEVA BASIN TAPS



ILLUSTRATION: LEVA BASIN TAPS

BAR CODE: 5055681401801

COLOUR: CHROME PLATE

WEIGHT:

NET 0.84 kg

GROSS 0.91 kg

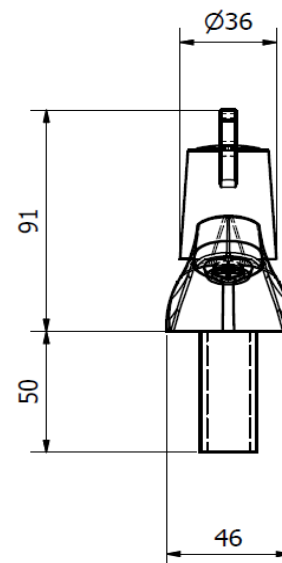
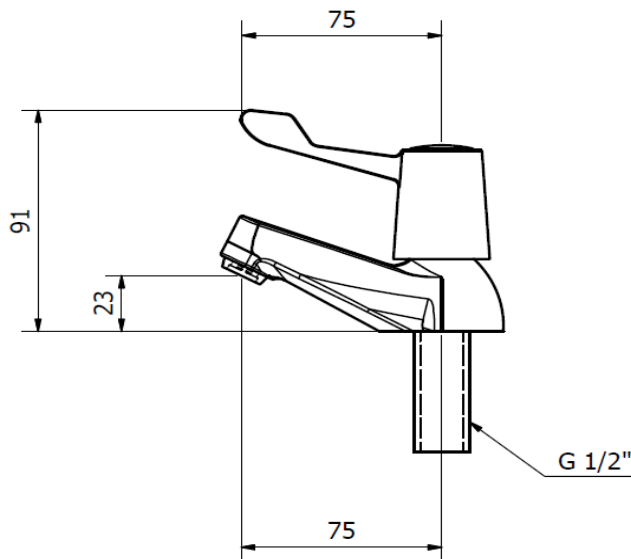
STANDARDS: BS EN 200

NOTES:

**1/2" BSP CONNECTIONS
CERAMIC DISC TECHNOLOGY**

Flow Rate: L.P

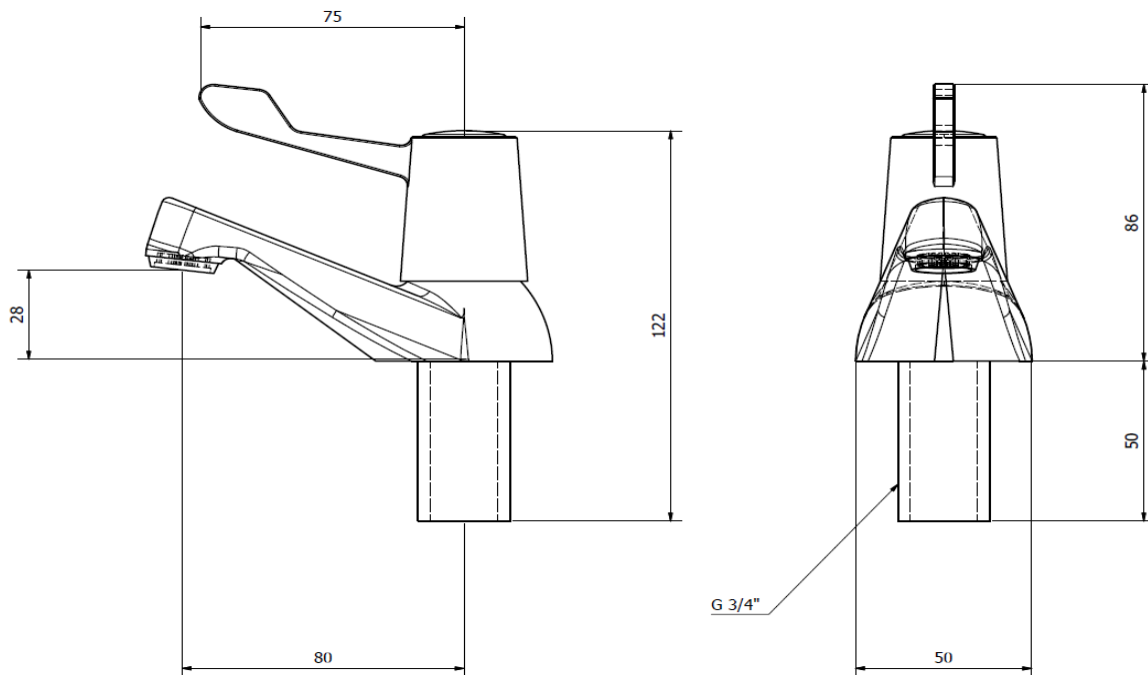
0.2bar	0.5bar	1bar	2bar	3bar
5.5L/min	8.4L/min	12.7L/min	16.8L/min	20.8L/min



BOX SIZE 220 x 150 x 60 mm

TAP171LE- LEVA BATH TAPS**ILLUSTRATION: LEVA BATH TAPS****BAR CODE: 5055681401818****COLOUR: CHROME PLATE****WEIGHT:****NET 0.8 kg****GROSS 1.0 kg****STANDARDS: BS EN 200****NOTES:****3/4" BSP CONNECTIONS
CERAMIC DISC TECHNOLOGY****Flow Rate: M.P**

0.2bar	0.5bar	1bar	2bar	3bar
5.5L/min	8.4L/min	12.7L/min	16.8L/min	20.8L/min

**BOX SIZE 220 x 150 x 60 mm**

TAP172LE- LEVA 1/2" H.N SINK TAPS

ILLUSTRATION: LEVA H.N SINK TAPS

BAR CODE: 5055681401825

COLOUR: CHROME PLATE

WEIGHT:

NET 1.0 kg

GROSS 1.15 kg

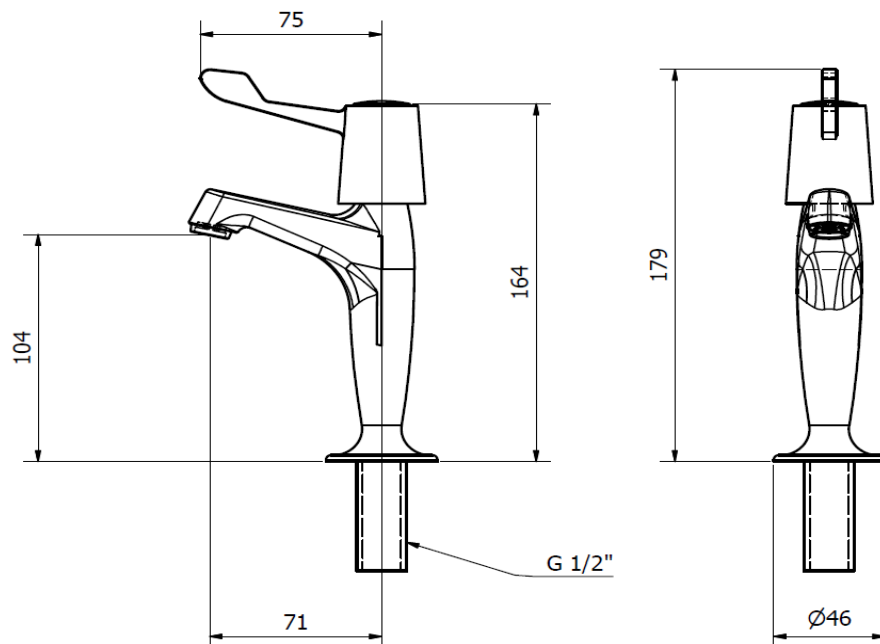
STANDARDS: BS EN 200

NOTES:

1/2" BSP CONNECTIONS
CERAMIC DISC TECHNOLOGY

Flow Rate: L.P

0.2bar	0.5bar	1bar	2bar	3bar
5.5L/min	8.4L/min	12.7L/min	16.8L/min	20.8L/min

**BOX SIZE 260 x 170 x 50 mm**