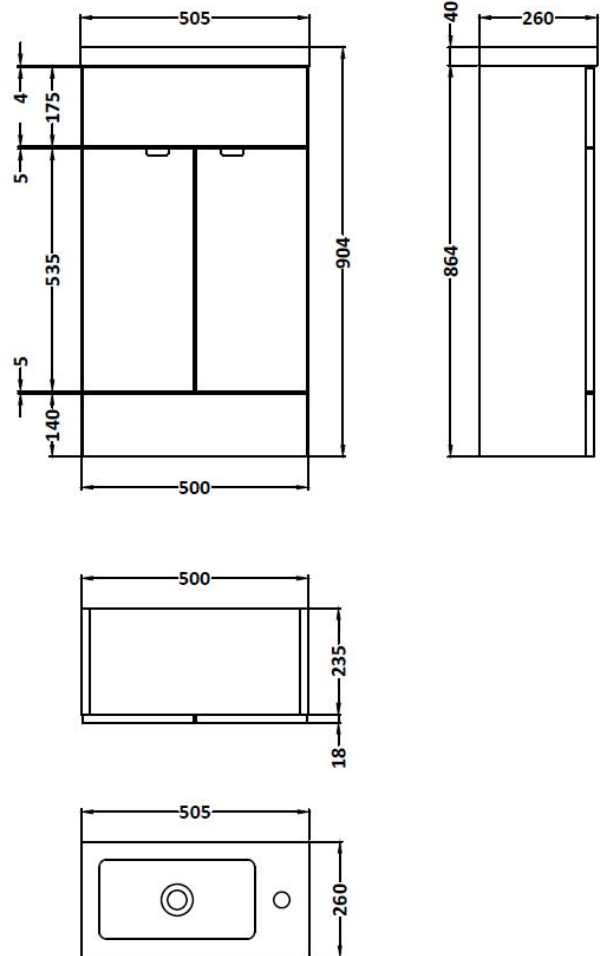


## CUSTOMER DATA SHEET

SALES CODE: CBI922

DESCRIPTION: 500mm Compact Vanity Unit & Basin



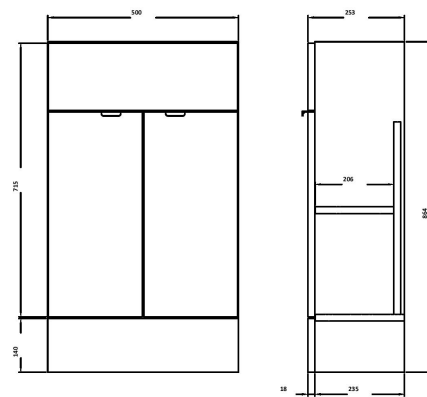
### PACKAGING DETAILS

|             |               |
|-------------|---------------|
| No of Packs | 2             |
| Barcode     | 5055275894460 |

## CUSTOMER DATA SHEET - FURNITURE

SALES CODE: OFF905

DESCRIPTION: 500 Vanity Unit (255mm Deep)



### PRODUCT DIMENSIONS

| Height (mm) | Width (mm) | Depth (mm) | Nett Wgt Kg |
|-------------|------------|------------|-------------|
| 864         | 500        | 255        | 15.8        |

### PACKAGING DIMENSIONS

| Height (mm) | Width (mm) | Length (mm) | Gross Wgt Kg |
|-------------|------------|-------------|--------------|
| 290         | 525        | 900         | 15.8         |

### PACKAGING DATA

|            |                     |              |             |
|------------|---------------------|--------------|-------------|
| Box Colour | Brown Cardboard Box |              |             |
| Box Qty    | 1                   | Label Colour | White Label |
| Label Size | 100 x 50            | Label Qty    | 2           |

### OUTER BOX DIMENSIONS (If Applicable)

| Height (mm) | Width (mm)    | Depth (mm) | Gross Wgt Kg |
|-------------|---------------|------------|--------------|
|             |               |            |              |
| Barcode     | 5055275873342 |            |              |

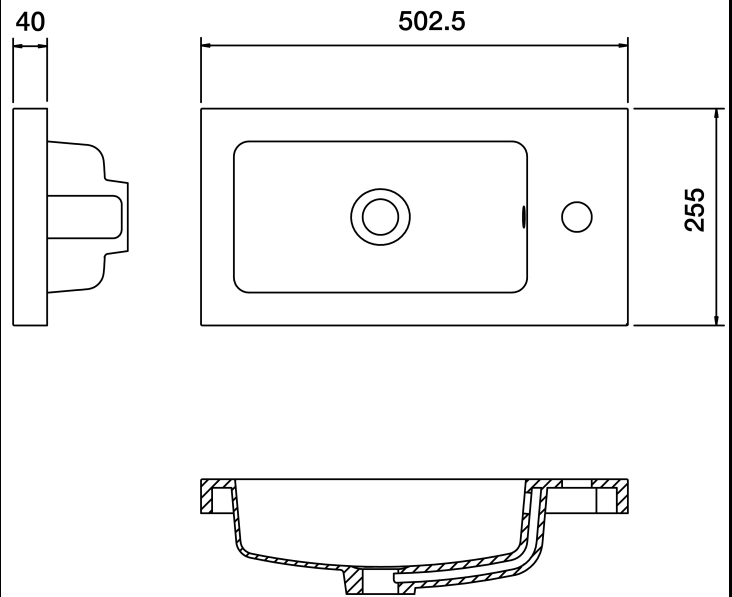
### PRODUCT DETAILS

|                     |                              |     |    |     |
|---------------------|------------------------------|-----|----|-----|
| Country of Origin   | United Kingdom               |     |    |     |
| Fitting Instruction | No                           |     |    |     |
| Constr' Method      | Cam & Wood Dowel             |     |    |     |
| Cabinet Finish      | MFC Gloss                    |     |    |     |
| Cab Thickness (mm)  | 18                           |     |    |     |
| Drawer Included     | No                           |     |    |     |
| No of Shelves       | 1                            |     |    |     |
| Hinge Inc'          | Yes                          |     |    |     |
| Fixings Inc'        | Yes                          |     |    |     |
| Handle Inc'         | Yes                          |     |    |     |
| Handle Type         | Wrapover                     |     |    |     |
| Certification       | FSC                          | Yes | CE | N/A |
| Colour              | Gloss Grey                   |     |    |     |
| Constr' Type        | Rigid                        |     |    |     |
| Fascia Finish       | MFC Gloss                    |     |    |     |
| Fas Thickness (mm)  | 18                           |     |    |     |
| Drawer Type         | Not Applicable               |     |    |     |
| Hinge Type          | 95 Degree Clip-On Soft Close |     |    |     |
| Adjustable Legs     | No                           |     |    |     |
| Handle Style        | Contemporary                 |     |    |     |
| Waste Shroud        | No                           |     |    |     |

## CUSTOMER DATA SHEET - CERAMICS

SALES CODE: PMB302

DESCRIPTION: 500 Side Tap Basin 1Th (502.5X255x40)



### PRODUCT DIMENSIONS

| Height (mm) | Width (mm) | Depth (mm) | Nett Wgt Kg |
|-------------|------------|------------|-------------|
| 255         | 503        | 135        | 8           |

### PACKAGING DIMENSIONS

| Height (mm) | Width (mm) | Depth (mm) | Gross Wgt Kg |
|-------------|------------|------------|--------------|
| 305         | 205        | 555        | 8            |

### PACKAGING DATA

|            |                               |              |             |
|------------|-------------------------------|--------------|-------------|
| Box Colour | Brown Cardboard Box - Printed |              |             |
| Box Qty    | 1                             | Label Colour | White Label |
| Label Size | 100 x 50                      | Label Qty    | 2           |

### OUTER BOX DIMENSIONS (If Applicable)

| Height (mm) | Width (mm)    | Depth (mm) | Gross Wgt Kg |
|-------------|---------------|------------|--------------|
|             |               |            |              |
| Barcode     | 5055369063031 |            |              |

### PRODUCT DETAILS

|                     |       |
|---------------------|-------|
| Country of Origin   | China |
| Fitting Instruction | No    |

|                  |            |     |      |     |             |     |
|------------------|------------|-----|------|-----|-------------|-----|
| Certification    | CE         | Yes | WRAS | N/A | WRAS Number | N/A |
| Product Material | Polymarble |     |      |     |             |     |

### PANS/BIDETS

|            |              |               |     |
|------------|--------------|---------------|-----|
| Trap Style | Not Relevant | Includes Seat | N/A |
|------------|--------------|---------------|-----|

### CISTERNS

|            |                |                |                |
|------------|----------------|----------------|----------------|
| Fittings   | Not Applicable | Operating Type | Not Applicable |
| Lever Type | Not Applicable |                |                |

### SEAT

|            |                |                |                |
|------------|----------------|----------------|----------------|
| Type       | Not Applicable | Function       | Not Applicable |
| Material   | Not Applicable |                |                |
| Hinge Type | Not Applicable | Hinge Material | Not Applicable |

### BASINS

|                  |              |                  |         |
|------------------|--------------|------------------|---------|
| Tap Hole         | One Taphole  | Chain Stay Hole  | No      |
| Template         | Not Required | Waste Type Req'd | Slotted |
| Overflow Incl.   | Yes          | Overflow Cover   | Yes     |
| Inner Bowl Depth | 175mm        |                  |         |

### GENERAL

|                 |    |
|-----------------|----|
| Fixing Supplied | No |
|-----------------|----|