

# INSTALLATION MANUAL

For

## OCEAN CLOSE COUPLED PAN



### 1. Tools required (not included)



Screwdriver



Electric Drill



Silicon Sealant



Spanner



Spirit level



Tape measure



Pencil

### 2. Installation Instruction

2-1 Install the seat cover according to seat cover installation manual.

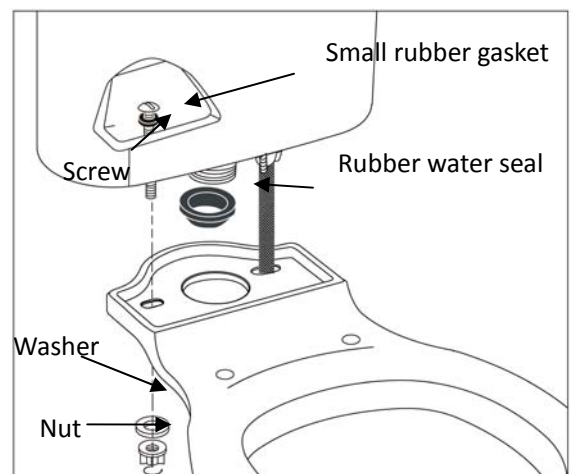
2-2 Cistern components are pre-fitted at the factory. Although the cistern is pre-fitted, it is the installers responsibility to check for water tightness.

2-3 Assemble and fit the top push button according to the installation manual.

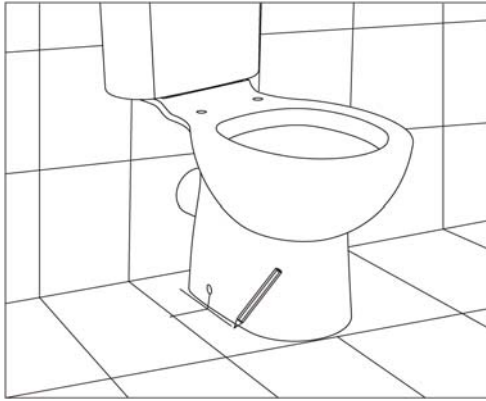
2-4 Install the Toilet seat as per the fitting instructions supplied.



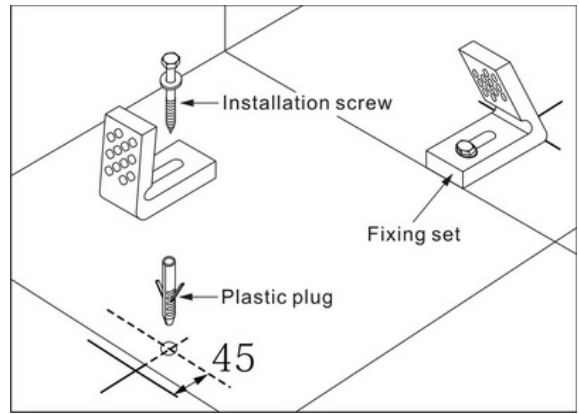
2-5-1 Place the cistern on the top of the pan.



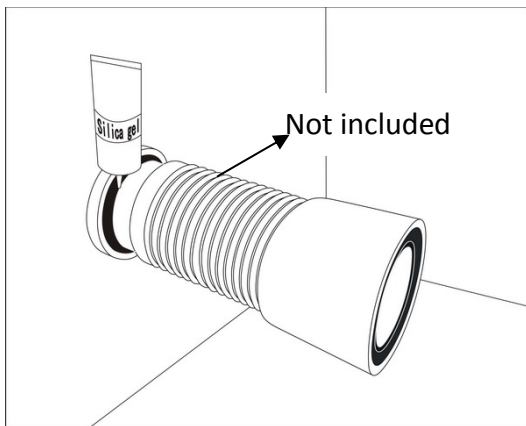
2-5-2 place the rubber water seal onto the Cistern flushing outlet. Screw the bolt to link the cistern onto the WC pan. Install the plastic washer and then tighten the nut, until the cistern is securely installed onto the pan.



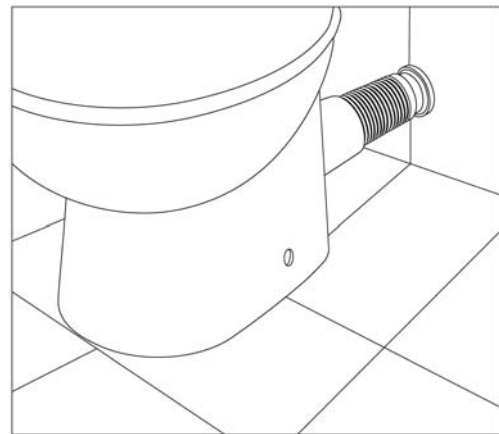
2-5-3 Establish position for the pan. Mark the hole position on the floor, ensure the alignment by use of a spirit level.



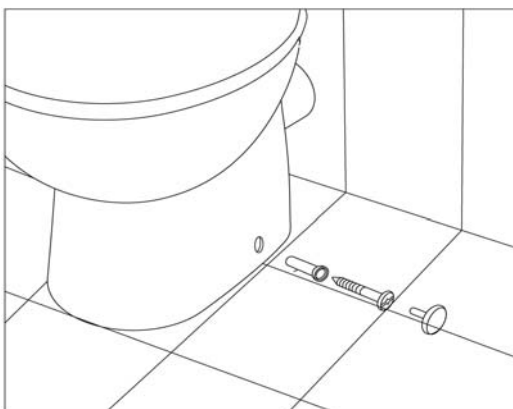
2-5-4 Drill holes with 10mm diameter; ensure the holes at 45mm away from the marked position. FIT the L-shape bracket to floor. Do not over tighten. **\*\*NOTE\*\***



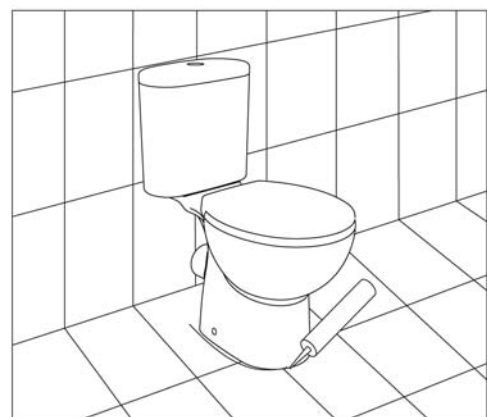
2-5-5 Attach the pan connector (not included) to the waste pipe and apply the waterproof PVC sealant around the hole.



2-5-6 Locate the pan and connect the other end of pipe to the pan.



2-5-7 Fix the pan by tightening the screw with a screwdriver and insert the plastic washer and cap as above picture, do not over tighten.



2-5-8 Use a sealant to seal the joint of the WC pan and the floor surface.

**Connect the water source to the inlet valve by assembling the hose (not supplied). Turn on the water valve and flush several times and check for leaks.**

### 3. Care Instruction

- Do not use abrasive cleaners to clean the pan and toilet seat as they may scratch or dull the pan and seat surface.
- Do not use cleaners containing chlorine as it can seriously damage fittings.
- Use a mild detergent such as liquid soap and warm water with a soft, dampened sponge or cloth for cleaning. Never use an abrasive material such as a brush or scouring pad for cleaning.

### 4. Problem and solution

A: The fill valve won't turn off.

- Open the cap on the fill valve and clear the valve seal, or replace the seal if it is defective or cracked.
- The position of the float may be too high, adjust the valve float by adjust the thread rod.
- Replace the flush valve flapper if it is worn.
- Check the tightening of the mechanism.

B: Water leaking out under the cistern:

- Fitting screws must be tightened.
- The gasket between the pan and the cistern is badly positioned or it is worn, replace the gasket.

C. Poor flush performance

- Adjust the water level inside the cistern.
- Check if the water supply valve is fully open.
- Clear obstructions from the trap way and pan rim holes.

D. Not flushing

- Check if water supply valve is closed.
- Check if the water supply hose is blocked.

E. Cistern taking time to fill.

- Check if the water supply valve is fully open.
- Check the hose of inlet valve if any leaks.
- Check your water supply pressure

**\*\*NOTE\*\* Please ensure when drilling that the area to be drilled is clear from hidden wires, pipes or anything else that may cause a problem if drilled into.**