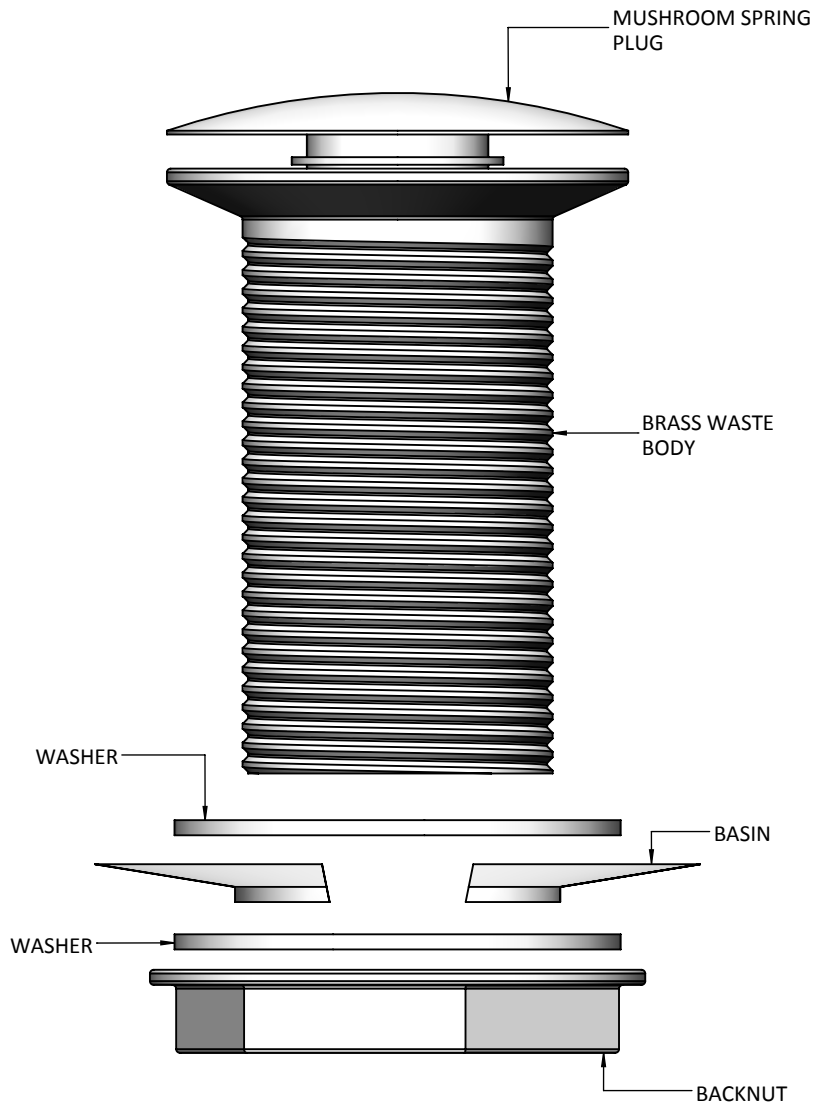
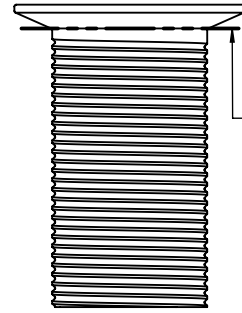


1 1/4" SPRING PLUG BASIN WASTE FITTING INSTRUCTION

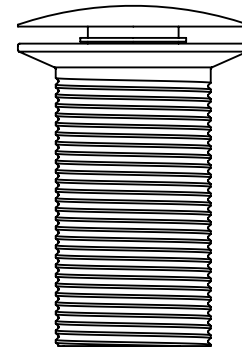


1.



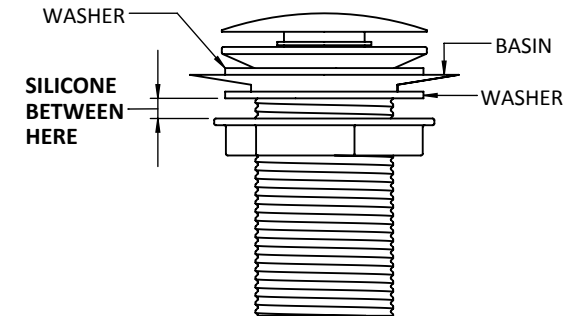
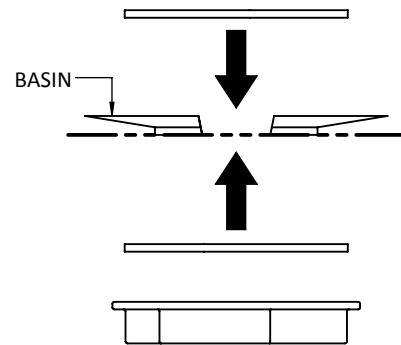
APPLY SILICONE SEALANT TO THE UNDERSIDE OF THE WASTE FLANGE, INDICATED IN THE VIEW ACROSS.

2.



YOU WILL NEED TO SEAL THE UNDERSIDE OF THE BASIN, WHERE THE THREADED TAIL EXITS (AS INDICATED). SILICONE SEALANT OR PLUMBERS PUTTY CAN BE USED.

ALSO APPLY A SMALL BEAD OF SILICONE AROUND THE THREAD OF THE BRASS WASTE BODY WHERE THE BACK NUT WILL TIGHTEN UP TO THE BOTTOM OF THE BASIN (INDICATED BELOW). TIGHTEN UP AND ALLOW TO CURE.



PLEASE NOTE:

- TO CLEAN USE WARM SOAPY WATER AND THEN WIPE WITH A DRY CLOTH.
- DO NOT USE AN AGGRESSIVE OR ABRASIVE CLEANING PRODUCT.
- TO OPERATE PUSH DOWN THE INTEGRAL PLUG TO CLOSE AND THEN AGAIN TO ALLOW DRAINAGE.
- ILLUSTRATION REFERS TO THE 'FLAT MUSHROOM' UNSLOTTED VERSION, THOUGH THIS INSTRUCTION IS APPLICABLE TO ALL 'SPRING PLUG' VARIATIONS BOTH SLOTTED AND UNSLOTTED.