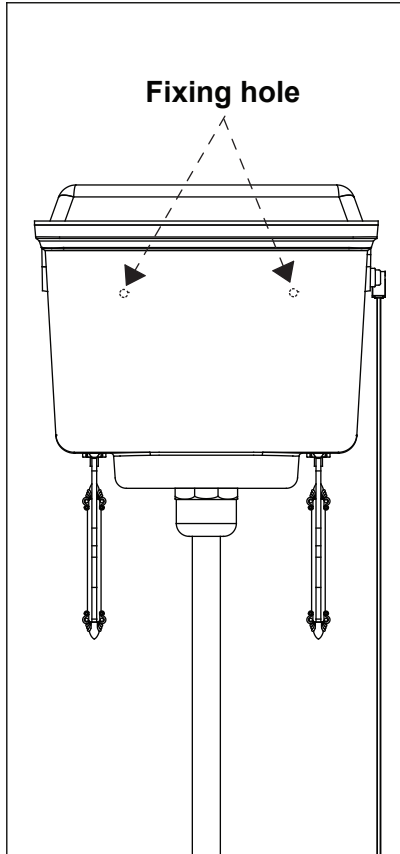


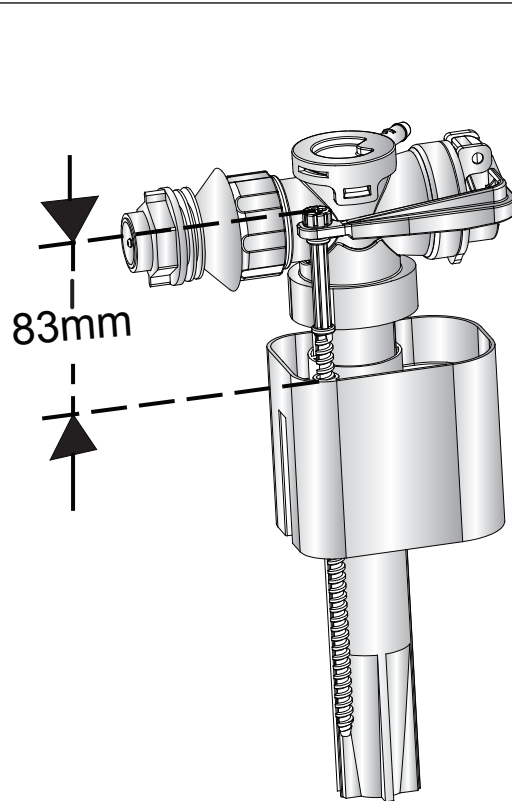
### 1: Fixing cistern on to wall



**Note:**

Fixing screws and brackets are not included. Please use appropriate screws depending on the wall type to fix the cistern on to the wall.

### 2: Inlet Valve



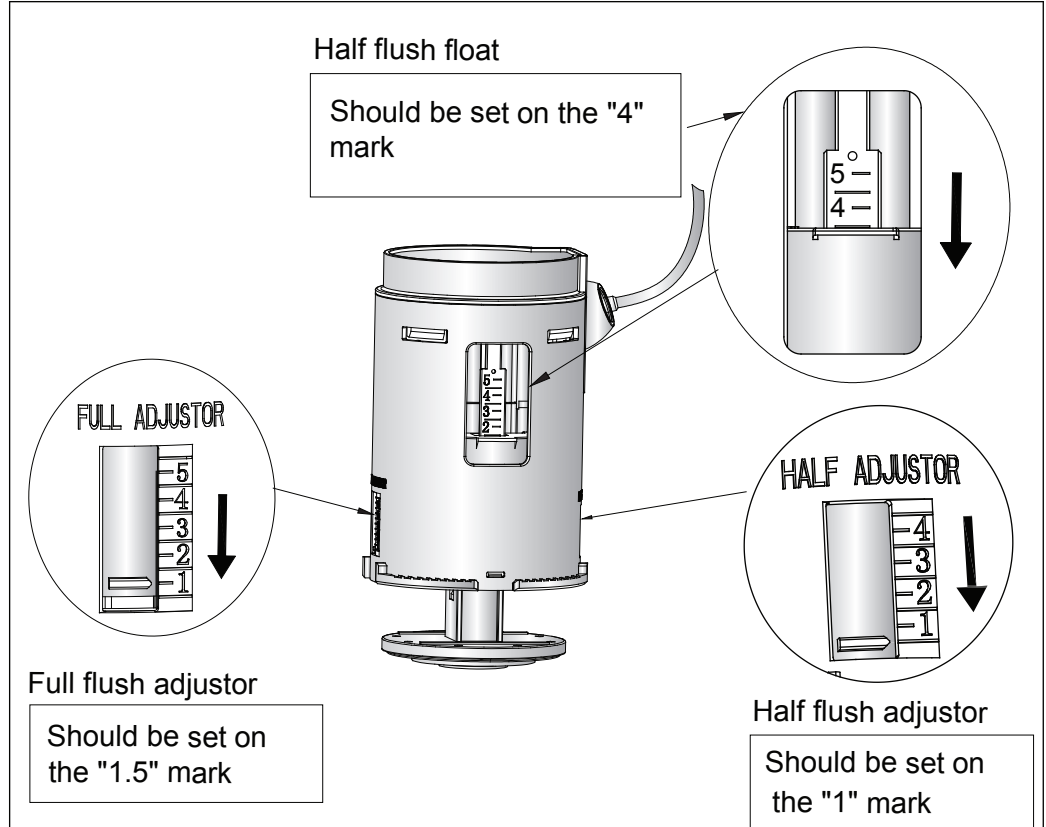
**Note:**

The Inlet Valve should be adjusted to suit the **Aluminium High Level Cistern - T58, T59, T60, T70.**

The above diagram indicates the correct setting.

For adjustment method, please refer to the installation instruction supplied with the cistern fittings.

### 3: Flush Valve



**Note:**

The Flush Valve should be adjusted to suit the **Aluminium High Level Cistern - T58, T59, T60, T70.**

The above diagram indicates the correct setting.

For adjustment method, please refer to the installation instruction supplied with the cistern fittings.