

# EVOLVE BATH SCREENS

## EVODO8BK



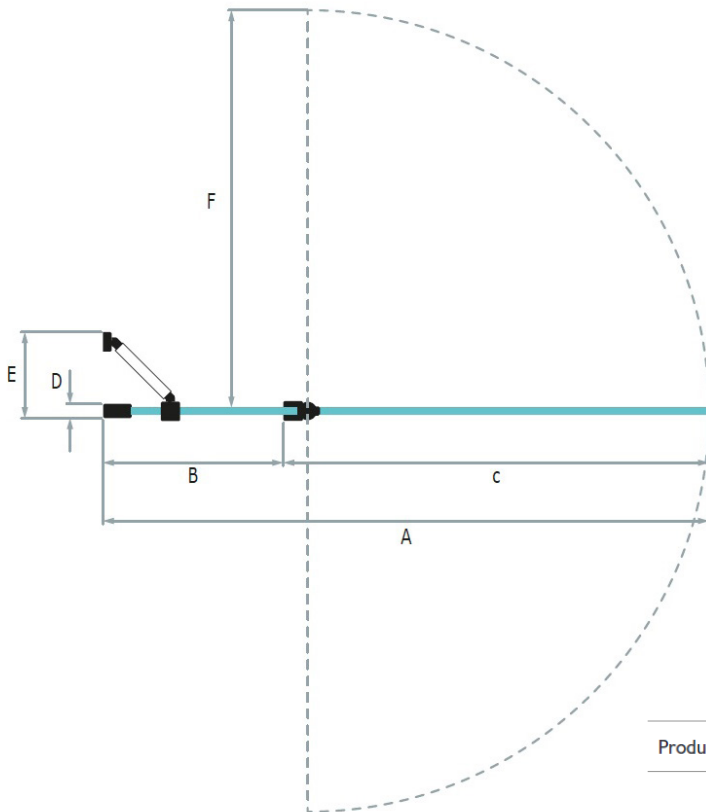
SKU: EVODO8BK

MANUFACTURER: SOMMER

RANGE: EVOLVE 8MM BATH SCREENS

PRODUCT INFORMATION: EXTENDED HALF RADIUS SCREEN WITH FIXED PANEL. 979 X 1500MM - BLACK

SOMMER EXTENDED HALF RADIUS SCREEN WITH FIXED PANEL. 979 X 1500MM - BLACK



Product Code	Adjustment mm	Dimension mm				
		A	B	C	D	E
EVODO8(C/BK)	950-970	283-303	667	18	135	627

Height — 1505 mm excluding bath

 **SOMMER**  
Showering Products