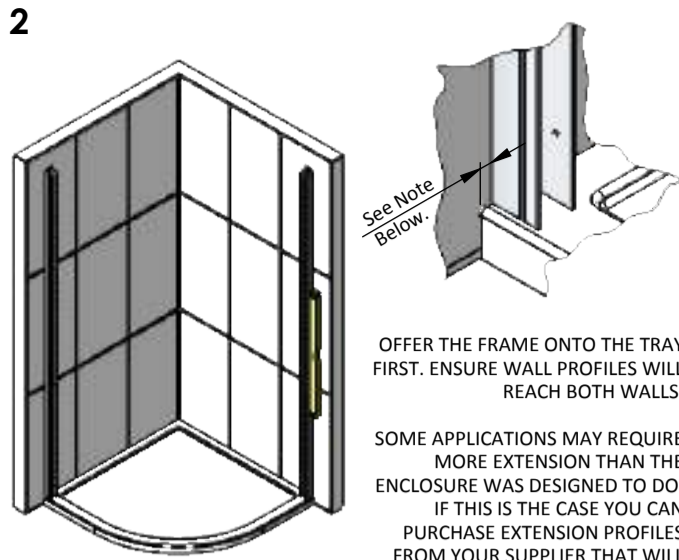


ENSURE THE TRAY IS LEVEL IN ALL PLANES.

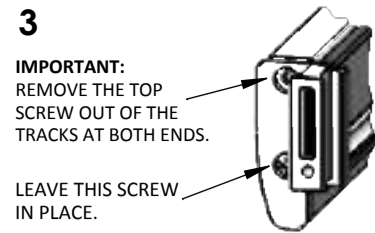


OFFER THE FRAME ONTO THE TRAY FIRST. ENSURE WALL PROFILES WILL REACH BOTH WALLS.

SOME APPLICATIONS MAY REQUIRE MORE EXTENSION THAN THE ENCLOSURE WAS DESIGNED TO DO. IF THIS IS THE CASE YOU CAN PURCHASE EXTENSION PROFILES FROM YOUR SUPPLIER THAT WILL GIVE AN EXTRA 20mm PER SIDE.

IN AN IDEAL INSTALLATION

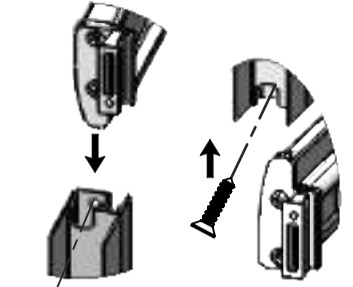
SET THE WALL PROFILES 8mm BACK FROM THE FACE OF THE TRAY. MAKE SURE THEY ARE TRUE WITH A SPIRIT LEVEL, THEN MARK THROUGH THE FIXING HOLES WITH A PENCIL. REMOVE PROFILES THEN DRILL AND PLUG THE WALL (ITEM 20). NOW FIX THE WALL PROFILES IN PLACE USING ITEMS 23.



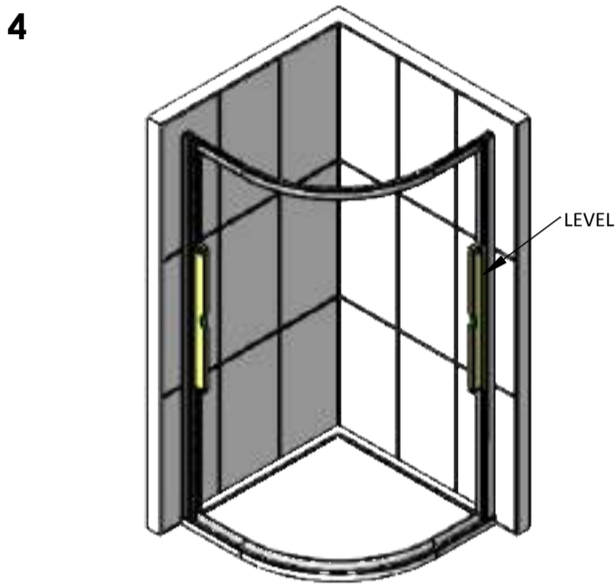
LEAVE THIS SCREW IN PLACE.

IMPORTANT: FACES MUST BE PARALLEL BEFORE INSERTING INTO PROFILE.

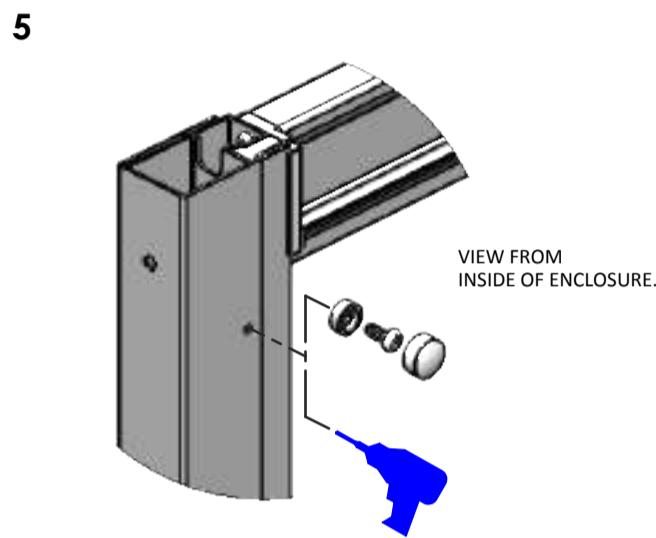
ONCE PARTIALLY ENGAGED IT MAY BE NECESSARY TO LIGHTLY TAP THE TRACK ALL THE WAY HOME. USING A SOFT Mallet.



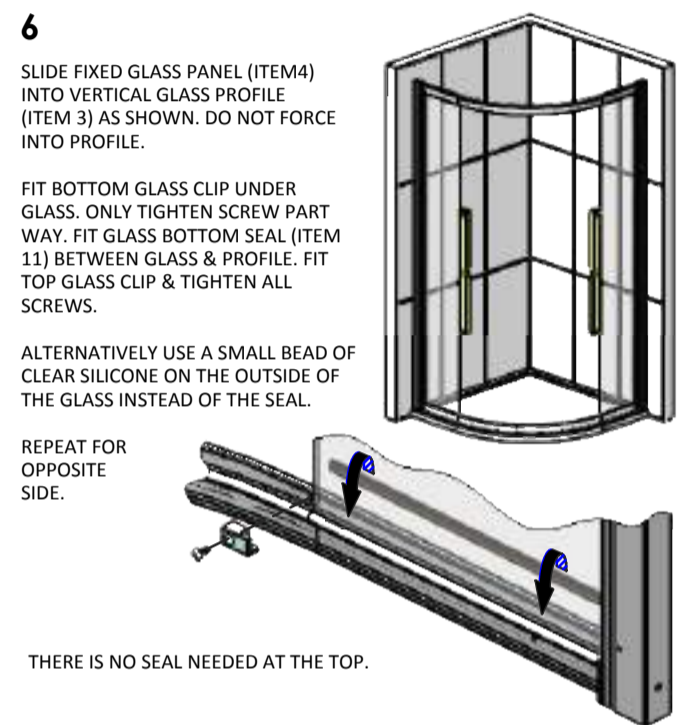
WHEN BOTH TRACKS ARE IN PLACE REFIT ITEM 24 THROUGH THE HOLES SHOWN. THIS WILL LOCK THE TRACKS INTO PLACE.



FIT THE FRAME INTO THE WALL PROFILES. ADJUSTING UNTIL THERE IS AN EVEN GAP BETWEEN THE FRONT EDGE OF THE TRAY AND BOTTOM TRACK (11mm). THERE SHOULD ALSO BE AN EQUAL AMOUNT OF FRAME IN EACH WALL PROFILE. ENSURE THE FRAME IS TRUE ON BOTH SIDES BEFORE IT IS FIXED IN PLACE.



WHEN THE FRAME IS TRUE AND READY TO BE FIXED, DRILL THROUGH THE HOLES IN THE WALL PROFILE WITH A 3mm DRILL. (MAKE SURE YOU ONLY DRILL THROUGH ONE WALL THICKNESS) THEN FIX THE FRAME WITH ITEMS 22, 18 & 19.



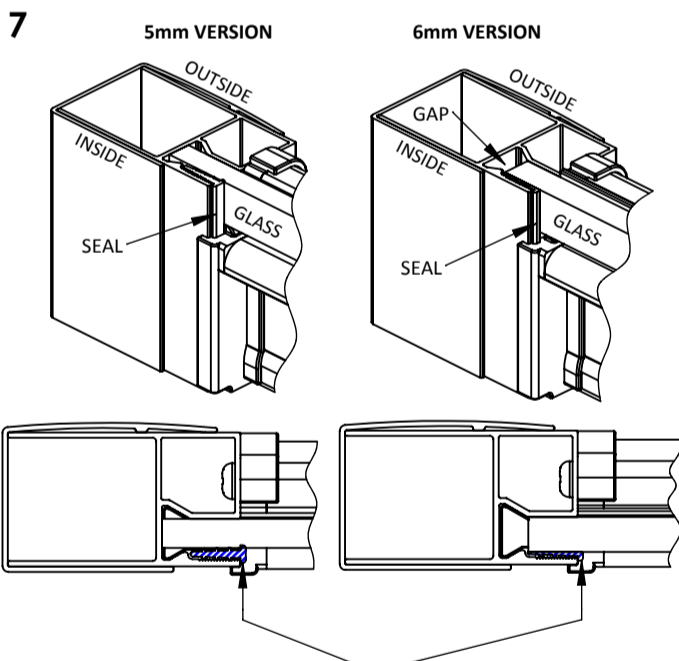
SLIDE FIXED GLASS PANEL (ITEM4) INTO VERTICAL GLASS PROFILE (ITEM 3) AS SHOWN. DO NOT FORCE INTO PROFILE.

FIT BOTTOM GLASS CLIP UNDER GLASS. ONLY TIGHTEN SCREW PART WAY. FIT GLASS BOTTOM SEAL (ITEM 11) BETWEEN GLASS & PROFILE. FIT TOP GLASS CLIP & TIGHTEN ALL SCREWS.

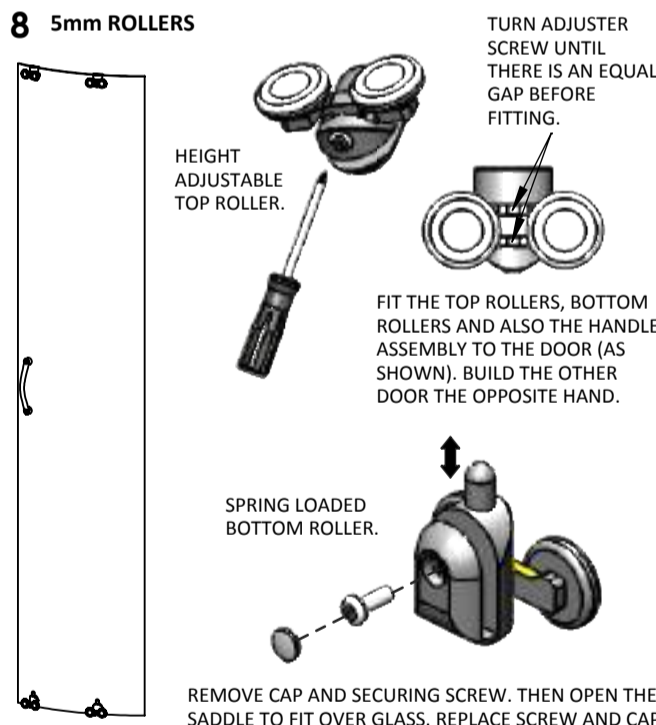
ALTERNATIVELY USE A SMALL BEAD OF CLEAR SILICONE ON THE OUTSIDE OF THE GLASS INSTEAD OF THE SEAL.

REPEAT FOR OPPOSITE SIDE.

THERE IS NO SEAL NEEDED AT THE TOP.



INSERT VERTICAL WEDGE SEAL (ITEM 10) INTO THE INSIDE OF THE ENCLOSURE BETWEEN THE GLASS AND THE GLASS PROFILE.



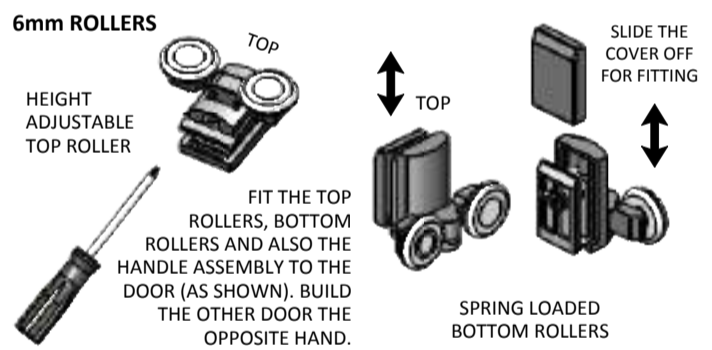
HEIGHT ADJUSTABLE TOP ROLLER.

TURN ADJUSTER SCREW UNTIL THERE IS AN EQUAL GAP BEFORE FITTING.

FIT THE TOP ROLLERS, BOTTOM ROLLERS AND ALSO THE HANDLE ASSEMBLY TO THE DOOR (AS SHOWN). BUILD THE OTHER DOOR THE OPPOSITE HAND.

SPRING LOADED BOTTOM ROLLER.

REMOVE CAP AND SECURING SCREW. THEN OPEN THE SADDLE TO FIT OVER GLASS. REPLACE SCREW AND CAP.



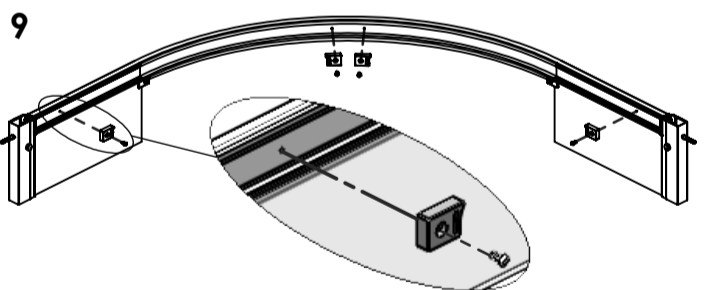
6mm ROLLERS

HEIGHT ADJUSTABLE TOP ROLLER

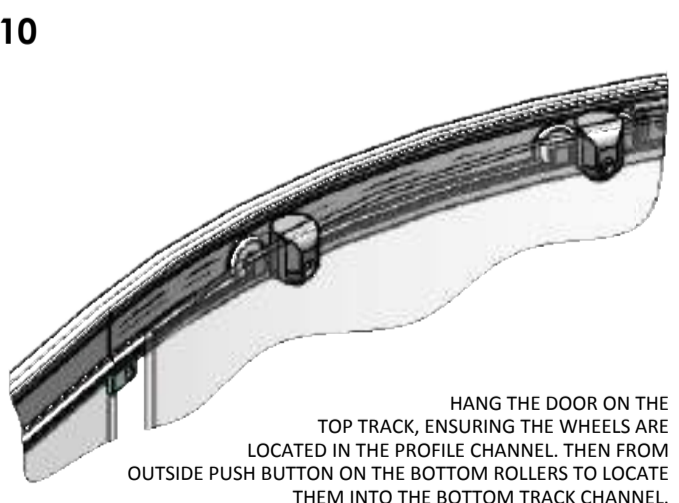
FIT THE TOP ROLLERS, BOTTOM ROLLERS AND ALSO THE HANDLE ASSEMBLY TO THE DOOR (AS SHOWN). BUILD THE OTHER DOOR THE OPPOSITE HAND.

SLIDE THE COVER OFF FOR FITTING

SPRING LOADED BOTTOM ROLLERS



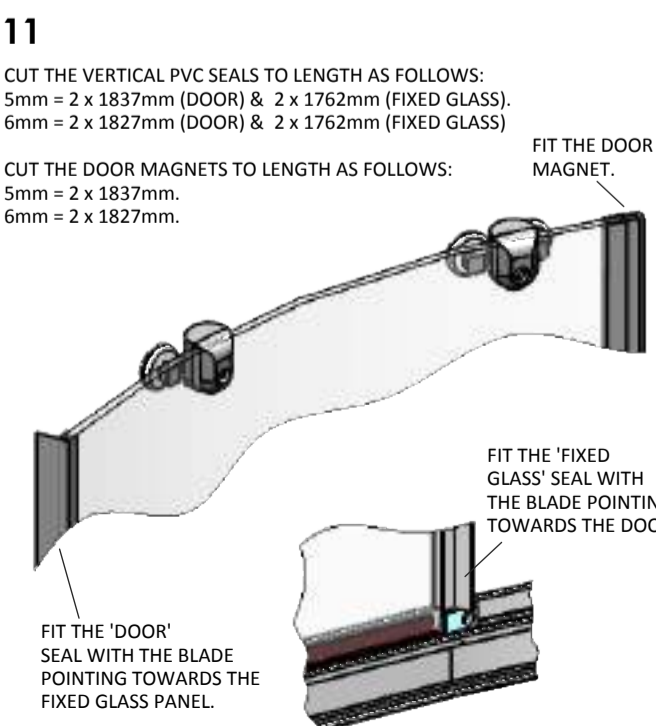
FIT THE BUMPS (ITEMS 16 & 17) TO THE TOP AND BOTTOM TRACKS WITH ITEM 22. DO NOT OVERTIGHTEN THE SCREWS.



HANG THE DOOR ON THE TOP TRACK, ENSURING THE WHEELS ARE LOCATED IN THE PROFILE CHANNEL. THEN FROM OUTSIDE PUSH BUTTON ON THE BOTTOM ROLLERS TO LOCATE THEM INTO THE BOTTOM TRACK CHANNEL.

WHEN BOTH DOORS ARE FITTED TURN THE ADJUSTER SCREW ON THE TOP ROLLERS TO LEVEL THE DOORS AND MAKE THEM TRUE.

NOTE : WHEN THE DOOR HITS THE TOP BUMP STOP IT SHOULD HIT THE BOTTOM BUMP STOP AT THE SAME TIME.



11

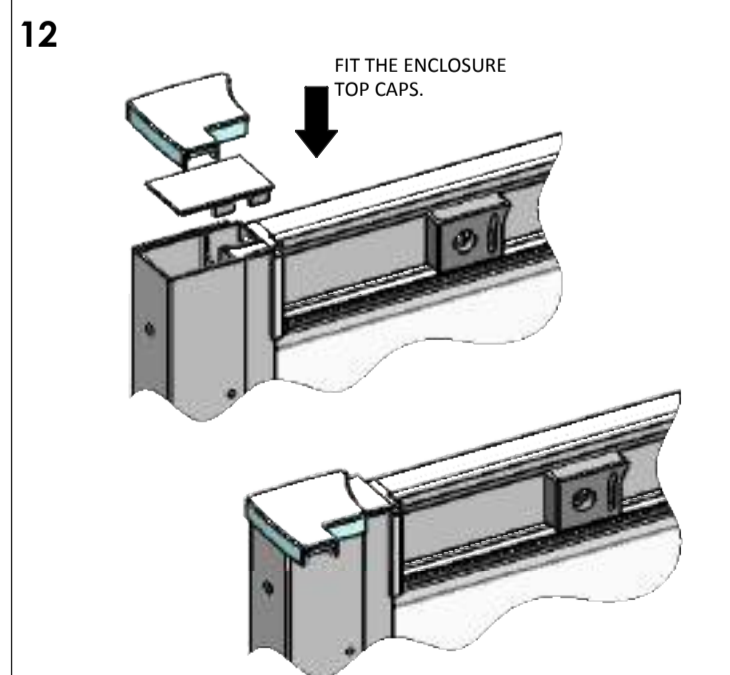
CUT THE VERTICAL PVC SEALS TO LENGTH AS FOLLOWS:
5mm = 2 x 1837mm (DOOR) & 2 x 1762mm (FIXED GLASS).
6mm = 2 x 1827mm (DOOR) & 2 x 1762mm (FIXED GLASS).

CUT THE DOOR MAGNETS TO LENGTH AS FOLLOWS:
5mm = 2 x 1837mm.
6mm = 2 x 1827mm.

FIT THE DOOR MAGNET.

FIT THE 'DOOR' SEAL WITH THE BLADE POINTING TOWARDS THE FIXED GLASS PANEL.

FIT THE 'FIXED GLASS' SEAL WITH THE BLADE POINTING TOWARDS THE DOOR.



FIT THE ENCLOSURE TOP CAPS.

EXTERNALLY SILICONE SEAL THE WALL PROFILES WHERE THEY MEET THE WALL AND THE BOTTOM PROFILE WHERE IT MEETS THE TRAY. ALL IN A CONTINUOUS BEAD.

ALSO SILICONE PLASTIC MOULDING AND 150mm HIGH AS SHOWN IN DETAILED VIEW BELOW.

DO NOT SILICONE INSIDE THE ENCLOSURE

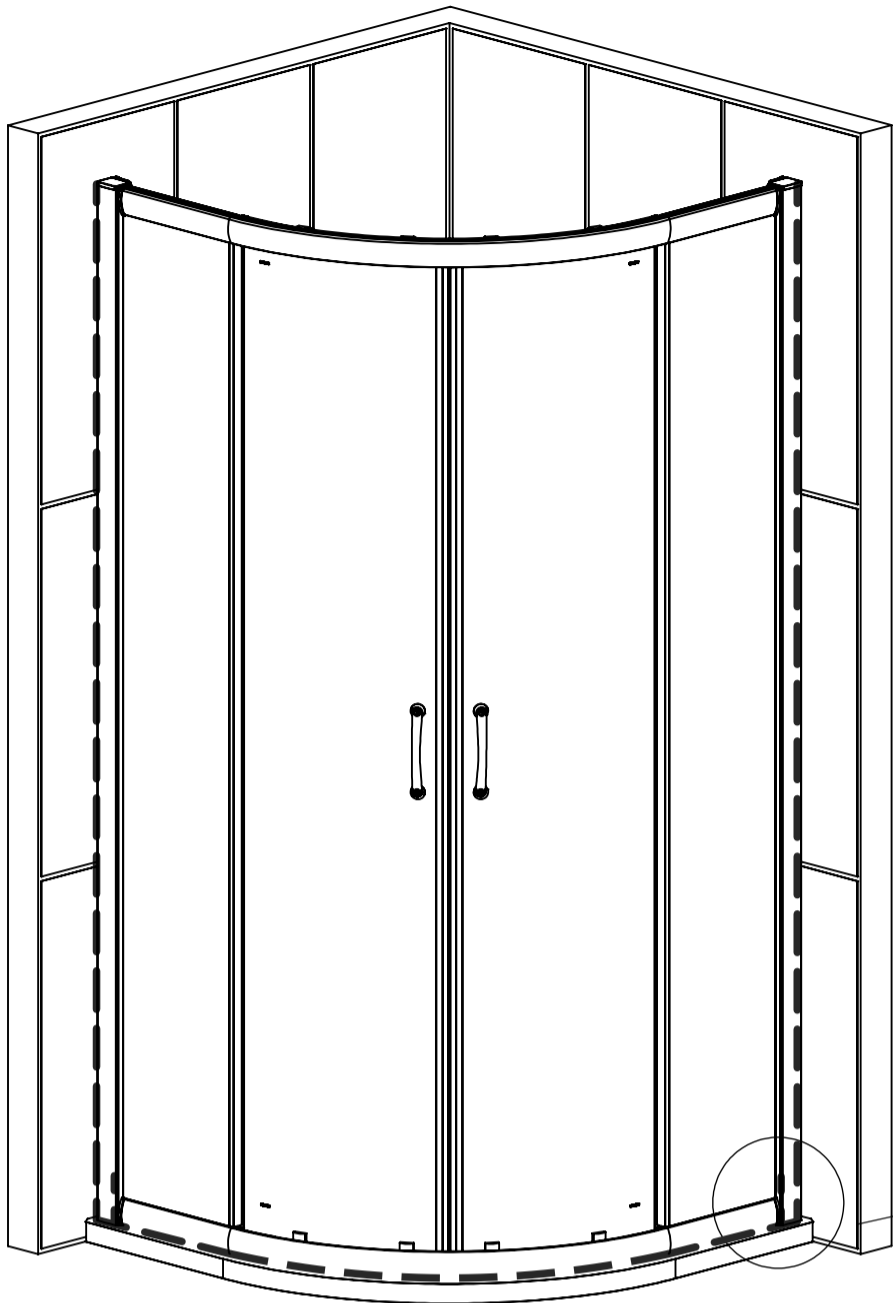
ALLOW THE SILICONE AT LEAST 24 HOURS TO FULLY CURE

AFTERCARE - ENSURE YOU CLEAN YOUR PRODUCT USING A MILD DETERGENT DILUTED IN WATER, REMOVING ANY RESIDUE WITH A SOFT DAMP CLOTH.

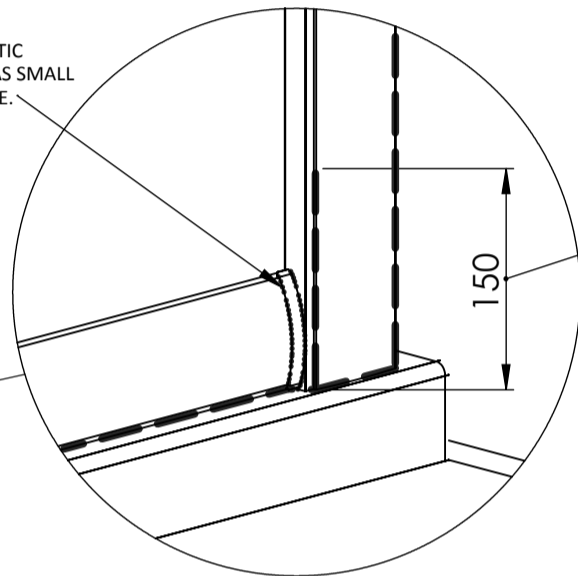
MAINTENANCE - ENSURE MOVING PARTS ARE FREE FROM ANY DEBRIS OR SOAP BUILD UP. **SHOWER ENCLOSURE WITH WHEELS** - THE WHEELS MUST ROTATE FREELY AND THE SPRING LOADED MECHANISM IN THE BOTTOM WHEELS MUST OPERATE WITHOUT INTERFERENCE.

TROUBLE SHOOTING GUIDE

1. IS THE TRAY LEVEL? (SEE STEP 1).
2. ARE THE TOP AND BOTTOM TRACKS FULLY INSERTED AND FLUSH WITH THE VERTICAL PROFILES? (SEE STEP 3).
3. ARE THE RETAINER SCREWS FITTED TO LOCK THE TOP AND BOTTOM TRACKS IN PLACE? (SEE STEP 3).
4. ARE THE BOTTOM SEALS FITTED? (SEE STEP 6).
5. HAVE YOU COMPLETED STEP 2 CORRECTLY?
6. ARE THE WALL PROFILES PLUMB VERTICALLY? (SEE STEP 2).
7. DO THE FINISHED TRAY MEASUREMENTS COMPLY WITH THE ADJUSTMENTS LISTED IN THE PRODUCT SPECIFICATION?
8. HAVE THE FIXED PANELS BEEN PROPERLY SECURED? (SEE STEPS 6 & 7).
9. WHEN CONSIDERING THE LENGTH OF THE TOP TRACK ALSO CONSIDER THE VERTICAL PROFILES THAT ARE SECURED TO IT WHICH INCREASE ITS LENGTH.
10. ONCE INSTALLED LEAVE THE ENCLOSURE DOORS IN THE CLOSED POSITION WHEN NOT IN USE AS MAGNET STRENGTH WILL INCREASE OVER THE FIRST WEEK.

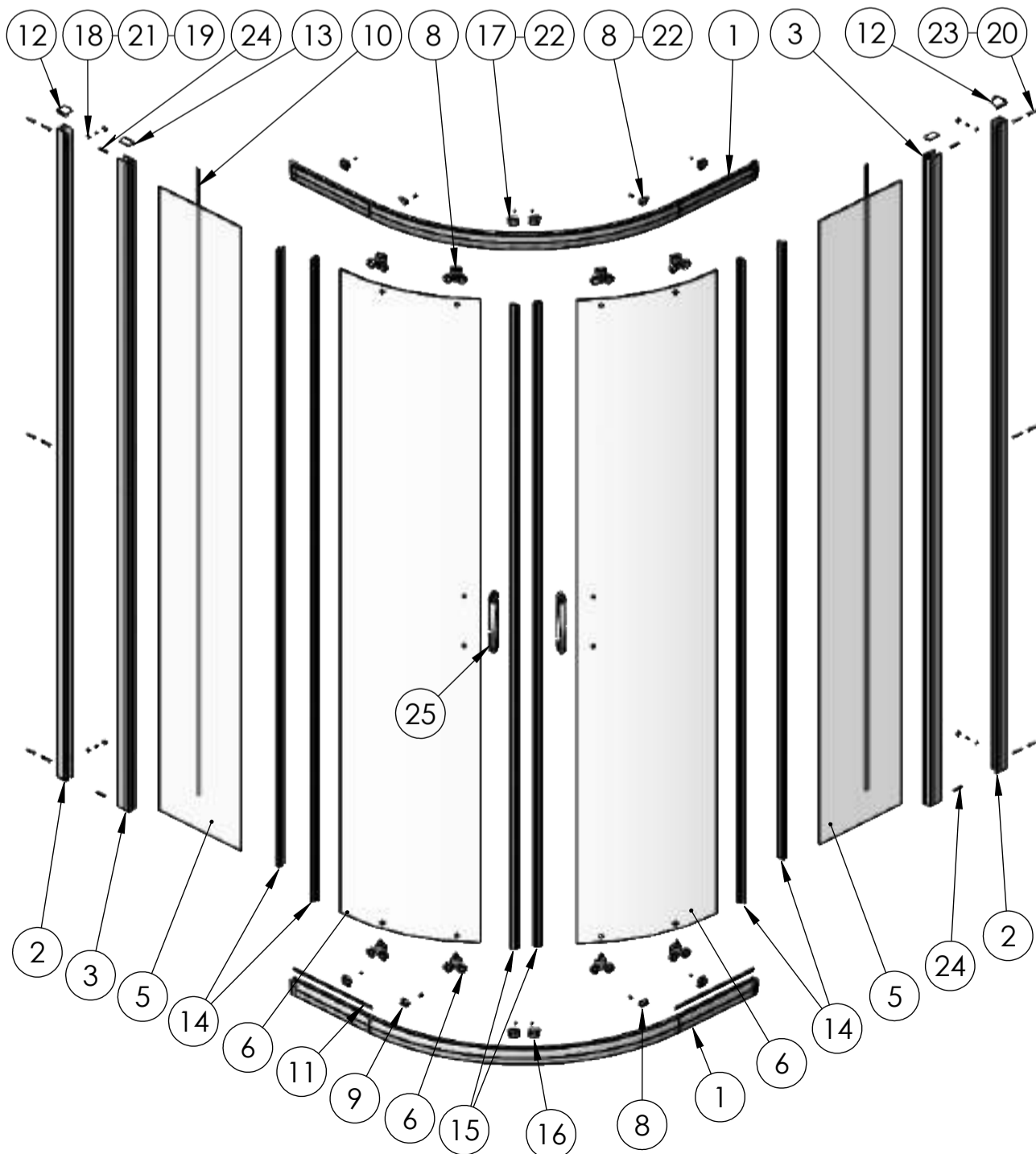


SILICONE THE PLASTIC MOULDING WITH AS SMALL A BEAD AS POSSIBLE.



WHERE THE FRAME VERTICAL PROFILE MEETS THE WALL PROFILE.

5 - 6 mm QUAD/OFFSET QUAD EASY FIT ENCLOSURE INSTRUCTION



UNPACK THE BOX AND ENSURE ALL COMPONENTS ARE PRESENT.

NO REFUNDS OR REFITTING COST WILL BE GIVEN IF INCOMPLETE OR DAMAGED GOODS ARE FITTED.

THE TOUGHENED SAFETY GLASS SHOULD BE HANDLED WITH CARE AS IMPACTS WILL DAMAGE THE GLASS OR ENCLOSURE.

FIT THE SHOWER TRAY AS PER THE MANUFACTURERS INSTRUCTIONS.

NOTE: IF THE TRAY ISN'T TRUE AND LEVEL, IT MUST BE RECTIFIED BEFORE SILICONING AROUND THE TOP EDGE OF THE TRAY WHERE IT MEETS THE ENCLOSURE.

THE ENCLOSURE INSTALLATION IS RECOMMENDED AS A TWO MAN OPERATION.

TOOLS REQUIRED

- POWER DRILL - 3mm DRILL BIT - 6mm MASONRY DRILL BIT
- CROSS HEAD SCREW DRIVER - TAPE MEASURE - PENCIL
- SILICONE GUN WITH SANITARY GRADE SEALANT - SPIRIT LEVEL
- RUBBER HEAD MALLET

ITEM	DESCRIPTION	Notes	QTY
1	TOP / BOTTOM TRACK		2
2	WALL PROFILE		2
3	GLASS PROFILE		2
4	FIXED PANEL GLASS		2
5	DOOR GLASS		2
6	BOTTOM ROLLER (SPRING LOADED)	5mm OR 6mm VERSIONS	4
7	TOP ROLLER (SCREW ADJUSTED)	5mm OR 6mm VERSIONS	4
8	GLASS CLIP RH		2
9	GLASS CLIP LH		2
10	VERTICAL WEDGE SEAL		2
11	GLASS BOTTOM SEAL		2
12	WALL PROFILE TOP CAP (RH & LH)		2
13	RECTANGULAR CAP		2
14	VERTICAL SEAL	CUT TO LENGTH AS INSTRUCTED	4
15	DOOR MAGNET		2
16	BUMP STOP RH		4
17	BUMP STOP LH		4
18	SCREW CUP		4
19	SCREW CUP COVER		4
20	RAWLPLUG		6
21	SCREW DIA 3.6mm x 9.4mm PAN HEAD (SMALL HEAD)		12
22	SCREW DIA 3.9mm x 10mm PAN HEAD		4
23	SCREW DIA 3.9mm x 30mm PAN HEAD	FOR FIXING TO WALL	6
24	SCREW DIA 3.9mm x 30mm PAN HEAD (SMALL HEAD)	FIXING TRACK, INCLUDING SPARES	12
25	CHROME HANDLES		2