

EXTERNALLY SILICONE SEAL THE WALL PROFILES WHERE THEY MEET THE WALL AND THE BOTTOM PROFILE AND GLASS SIDE PANEL WHERE IT MEETS THE TRAY. ALL IN A CONTINUOUS BEAD.

ALSO SILICONE 150mm HIGH AS SHOWN IN DETAILED VIEWS BELOW.

DO NOT SILICONE INSIDE THE ENCLOSURE.

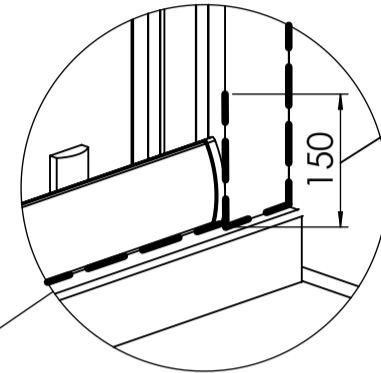
ALLOW THE SILICONE AT LEAST 24 HOURS TO FULLY CURE.

**AFTERCARE** - ENSURE YOU CLEAN YOUR PRODUCT USING A MILD DETERGENT DILUTED IN WATER, REMOVING ANY RESIDUE WITH A SOFT DAMP CLOTH.

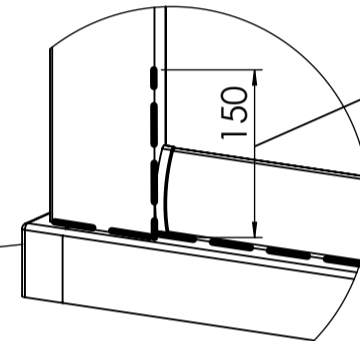
**MAINTENANCE** - ENSURE MOVING PARTS ARE FREE FROM ANY DEBRIS OR SOAP BUILD UP.

**SHOWER ENCLOSURE WITH WHEELS** - THE WHEELS MUST ROTATE FREELY AND THE SPRING LOADED MECHANISM IN THE BOTTOM WHEELS MUST OPERATE WITHOUT INTERFERENCE.

**TROUBLE SHOOTING GUIDE - SEE ENCLOSURE INSTRUCTION.**

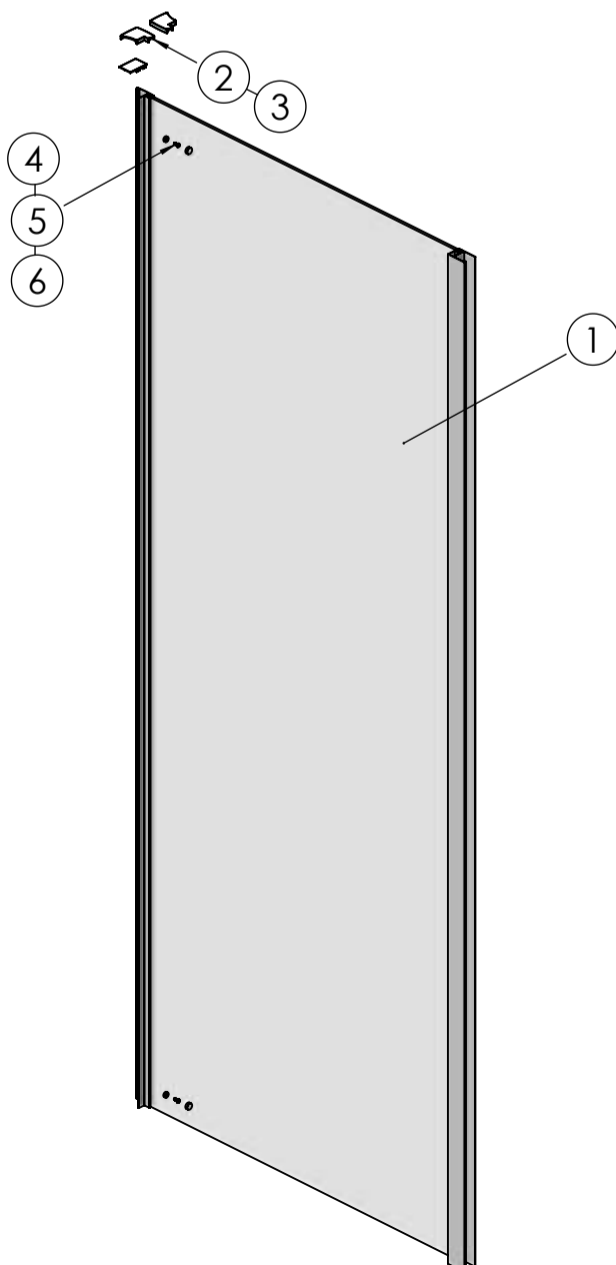


WHERE THE FRAME VERTICAL PROFILE MEETS THE WALL PROFILE.



WHERE THE FRAME VERTICAL PROFILE MEETS THE CORNER POST.

**5 - 6 mm SIDE PANEL FITTING INSTRUCTION**



UNPACK THE BOX AND ENSURE ALL COMPONENTS ARE PRESENT.

NO REFUNDS OR REFITTING COST WILL BE GIVEN IF INCOMPLETE OR DAMAGED GOODS ARE FITTED.

THE TOUGHENED SAFETY GLASS SHOULD BE HANDLED WITH CARE AS IMPACTS WILL DAMAGE THE GLASS OR ENCLOSURE.

FIT THE SHOWER TRAY AS PER THE MANUFACTURERS INSTRUCTIONS.

NOTE: IF THE TRAY ISN'T TRUE AND LEVEL, IT MUST BE RECTIFIED BEFORE SILICONING AROUND THE TOP EDGE OF THE TRAY WHERE IT MEETS THE TILES. ALLOW THE SILICONE TO DRY BEFORE FITTING THE ENCLOSURE.

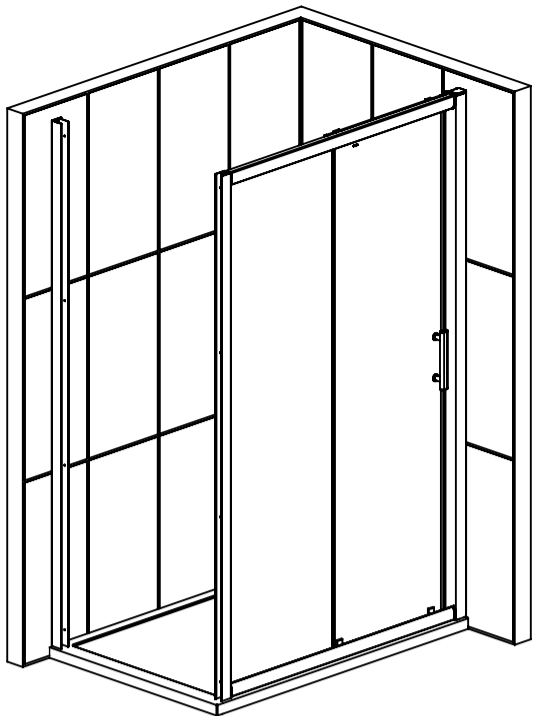
THE ENCLOSURE INSTALLATION IS RECOMMENDED AS A TWO MAN OPERATION.

**TOOLS REQUIRED**

POWER DRILL - 3mm DRILL BIT - 6mm MASONARY DRILL BIT  
CROSS HEAD SCREW DRIVER - TAPE MEASURE - PENCIL  
SILICONE GUN WITH SANITARY GRADE SEALANT - SPIRIT LEVEL.

ITEM	DESCRIPTION	Notes	QTY
1	SIDE-PANEL SUB ASSEMBLY		1
2	CORNER POST TOP CAP RH		1
3	CORNER POST TOP CAP LH		1
4	SCREW CUP		2
5	SCREW CUP COVER		2
6	SCREW DIA 3.6mm x 9.4mm PAN HEAD (SMALL HEAD)		2

1



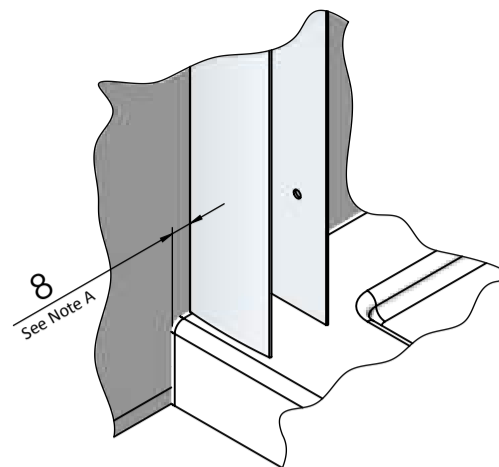
THE SIDE PANEL IS AN ADDITIONAL ITEM TO THE ENCLOSURE / DOOR.

FOLLOW THE FIRST STEPS OF THE ENCLOSURE / DOOR FITTING INSTRUCTION UP TO THE STEP WHERE YOU CHOOSE BETWEEN ALCOVE OR SIDE PANEL FIT \*

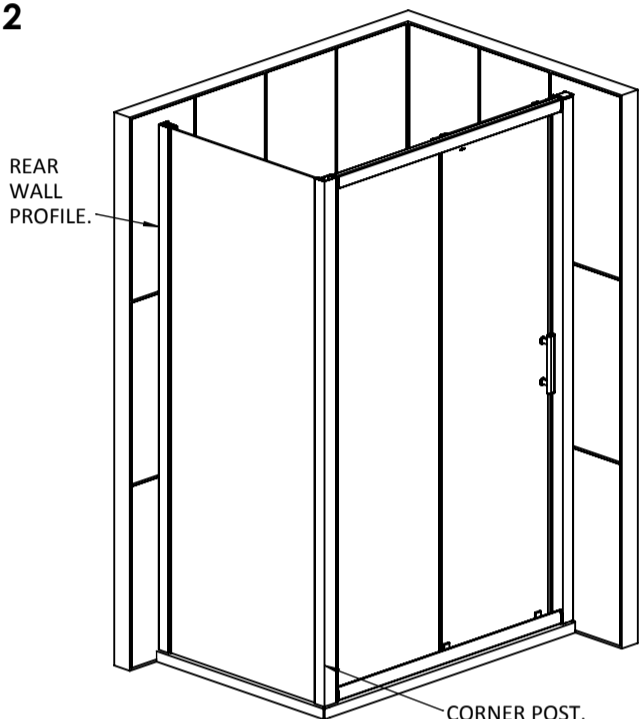
**NOTE A**

THE SIDE PANEL IS DESIGNED TO SIT 8mm FROM THE SIDE EDGE OF THE TRAY. HOWEVER OFFER THE ENCLOSURE AND SIDE PANEL ONTO THE TRAY FIRST. ENSURE WALL PROFILES WILL REACH BOTH WALLS USING 8mm AS A MINIMUM GUIDE. MARK THE WALL PROFILE POSITIONS BEFORE REMOVING ENCLOSURE AND SIDE PANEL OFF TRAY.

WHEN MARKING THE WALL PROFILE POSITIONS ENSURE THEY'RE LEVEL AND TRUE . USE A SPIRIT LEVEL. USE RAWLPLUGS AND SCREWS PROVIDED WITH ENCLOSURE/DOOR TO SECURE.



2



REAR WALL PROFILE.

CORNER POST.

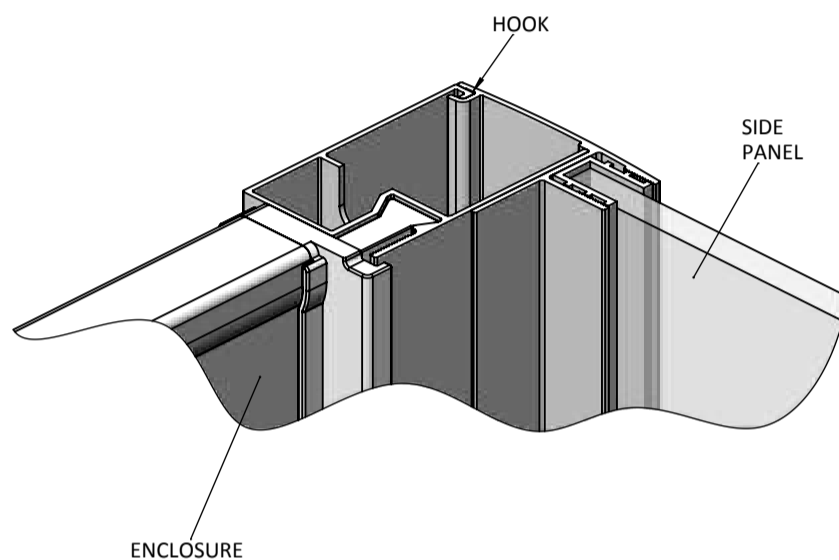
HOOK THE SIDE PANEL CORNER POST ONTO ENCLOSURE THEN SLIDE THE SIDE PANEL INTO REAR WALL PROFILE.

ADJUST THE ENCLOSURE / DOOR SO THE SIDE PANEL IS PARALLEL WITH THE SIDE OF THE TRAY.

NOW ADJUST THE SIDE PANEL IN THE REAR WALL PROFILE UNTIL THE ENCLOSURE IS PARALLEL WITH THE FRONT OF THE TRAY.

IT IS VERY IMPORTANT THAT THE SIDE PANEL AND ENCLOSURE ARE TRUE AND SQUARE ON ALL FACES BEFORE FIXING THE UNITS IN PLACE.

THE DOOR MUST ALSO OPERATE FREELY AND RUN SMOOTHLY.

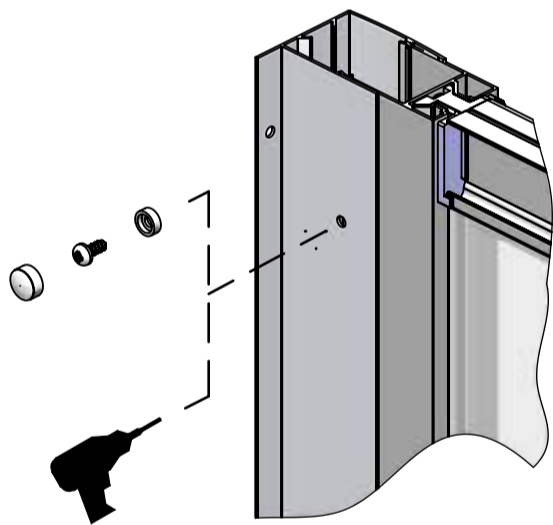


HOOK

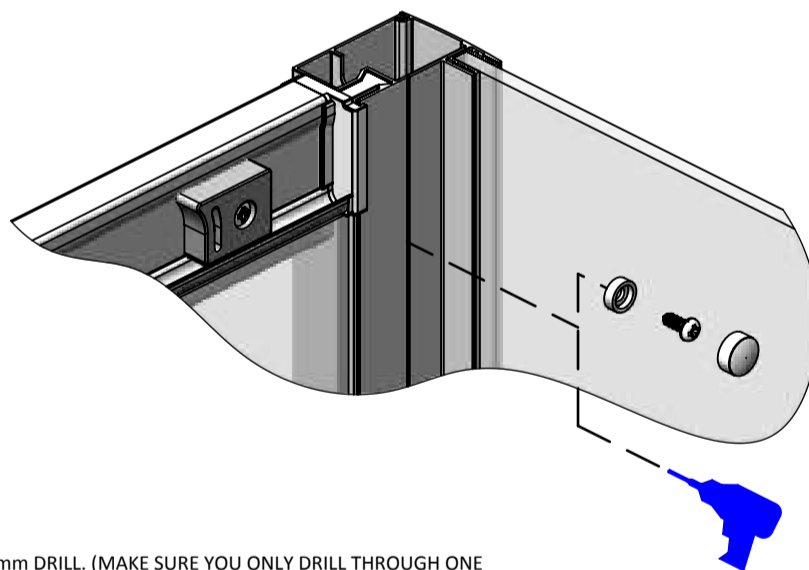
SIDE PANEL

ENCLOSURE

3



VIEW FROM THE INSIDE.



WHEN THE ENCLOSURE IS READY TO BE FIXED, DRILL THROUGH THE HOLES IN THE WALL PROFILE AND CORNER POST WITH A 3mm DRILL. (MAKE SURE YOU ONLY DRILL THROUGH ONE WALL THICKNESS) THEN FIX THE FRAME WITH ITEMS 4, 5 & 6.

4

FIT THE RELEVANT HANDED CAP.

