

EXTERNALLY SILICONE SEAL THE WALL PROFILES WHERE THEY MEET THE WALL AND THE BOTTOM PROFILE WHERE IT MEETS THE TRAY. ALL IN A CONTINUOUS BEAD.

ALSO SILICONE PLASTIC MOULDING AND 150mm HIGH AS SHOWN IN DETAILED VIEW BELOW.

DO NOT SILICONE INSIDE THE ENCLOSURE.

ALLOW THE SILICONE AT LEAST 24 HOURS TO FULLY CURE.

AFTERCARE - ENSURE YOU CLEAN YOUR PRODUCT USING A MILD DETERGENT DILUTED IN WATER, REMOVING ANY RESIDUE WITH A SOFT DAMP CLOTH.

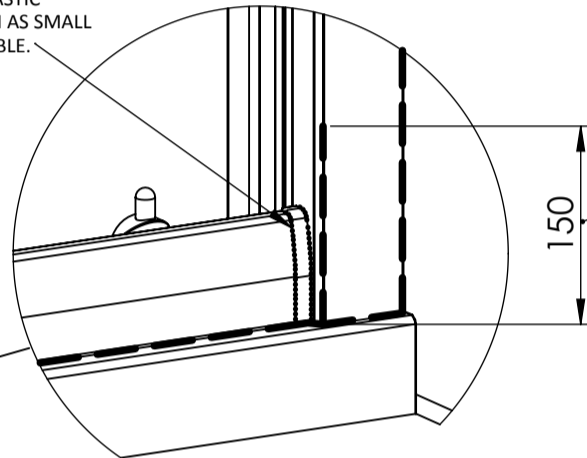
MAINTENANCE - ENSURE MOVING PARTS ARE FREE FROM ANY DEBRIS OR SOAP BUILD UP.

SHOWER ENCLOSURE WITH WHEELS - THE WHEELS MUST ROTATE FREELY AND THE SPRING LOADED MECHANISM IN THE BOTTOM WHEELS MUST OPERATE WITHOUT INTERFERENCE.

TROUBLE SHOOTING GUIDE

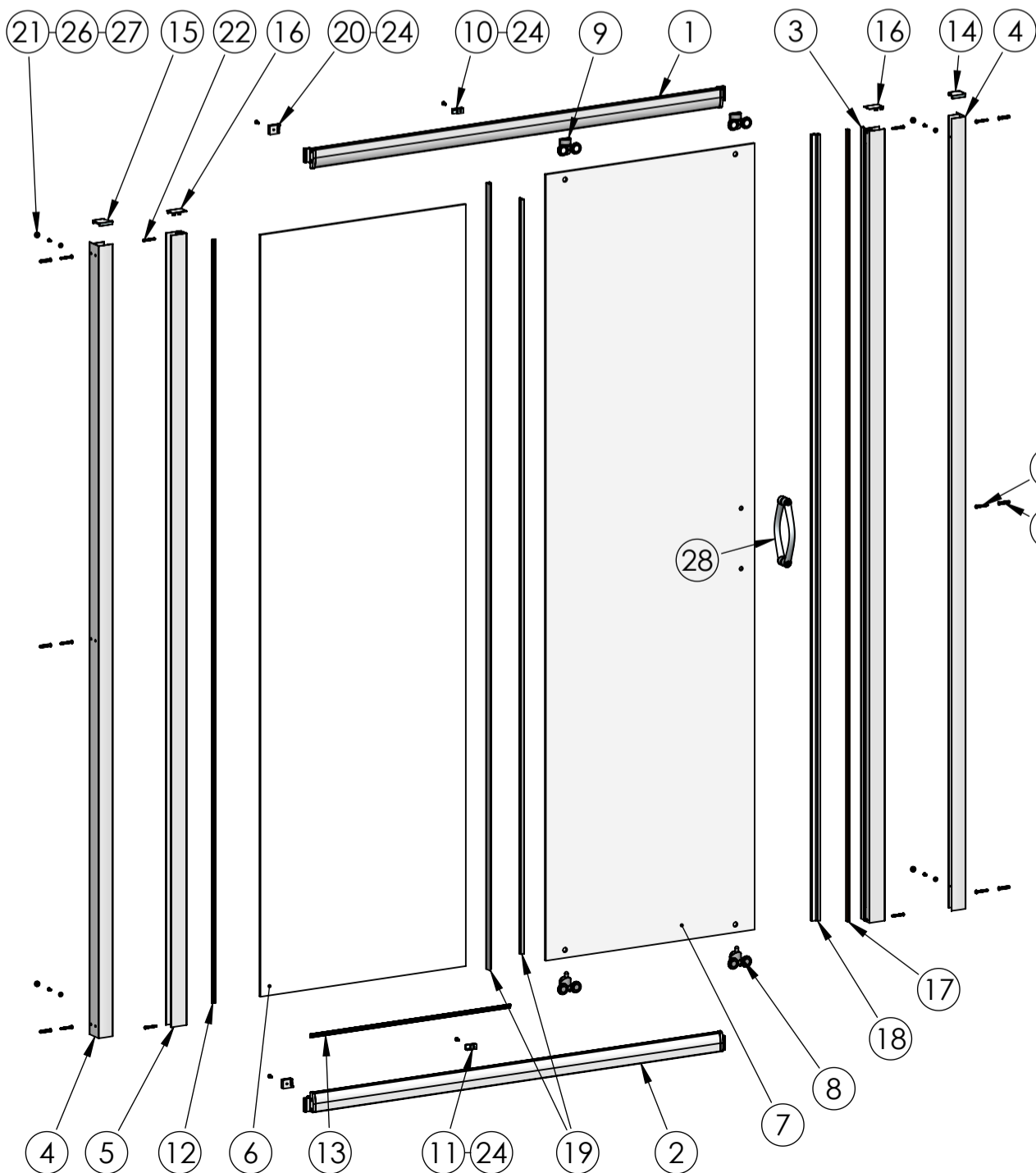
1. IS THE TRAY LEVEL? (SEE STEP 1).
2. ARE THE TOP AND BOTTOM TRACKS FULLY INSERTED AND FLUSH WITH THE VERTICAL PROFILES? (SEE STEP 3).
3. ARE THE RETAINER SCREWS FITTED TO LOCK THE TOP AND BOTTOM TRACKS IN PLACE? (SEE STEP 3).
4. ARE THE BOTTOM SEALS FITTED? (SEE STEP 6).
5. HAVE YOU COMPLETED STEP 2 CORRECTLY?
6. ARE THE WALL PROFILES PLUMB VERTICALLY? (SEE STEP 2).
7. DO THE DOOR MAGNETS ATTRACT TO EACH OTHER? (SEE STEP 11).
8. DO THE FINISHED TRAY MEASUREMENTS COMPLY WITH THE ADJUSTMENTS LISTED IN THE PRODUCT SPECIFICATION?
9. HAVE THE FIXED PANELS BEEN PROPERLY SECURED? (SEE STEPS 6 & 7).
10. WHEN CONSIDERING THE LENGTH OF THE TOP TRACK ALSO CONSIDER THE VERTICAL PROFILES THAT ARE SECURED TO IT WHICH INCREASE ITS LENGTH.
11. ONCE INSTALLED LEAVE THE ENCLOSURE DOORS IN THE CLOSED POSITION WHEN NOT IN USE AS MAGNET STRENGTH WILL INCREASE OVER THE FIRST WEEK.

SILICONE THE PLASTIC MOULDING WITH AS SMALL A BEAD AS POSSIBLE.



WHERE THE FRAME VERTICAL PROFILE MEETS THE WALL PROFILE.

5 - 6mm SLIDER EASY FIT ENCLOSURE INSTRUCTIONS



UNPACK THE BOX AND ENSURE ALL COMPONENTS ARE PRESENT.

NO REFUNDS OR REFITTING COST WILL BE GIVEN IF INCOMPLETE OR DAMAGED GOODS ARE FITTED.

THE TOUGHENED SAFETY GLASS SHOULD BE HANDLED WITH CARE AS IMPACTS WILL DAMAGE THE GLASS OR ENCLOSURE.

FIT THE SHOWER TRAY AS PER THE MANUFACTURERS INSTRUCTIONS.

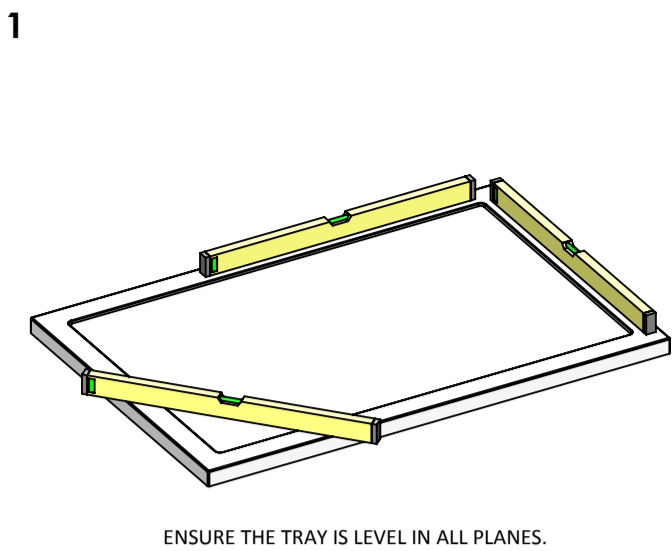
NOTE: IF THE TRAY ISN'T TRUE AND LEVEL, IT MUST BE RECTIFIED BEFORE SILICONING AROUND THE TOP EDGE OF THE TRAY WHERE IT MEETS THE TILES. ALLOW THE SILICONE TO DRY BEFORE FITTING THE ENCLOSURE.

THE ENCLOSURE INSTALLATION IS RECOMMENDED AS A TWO MAN OPERATION.

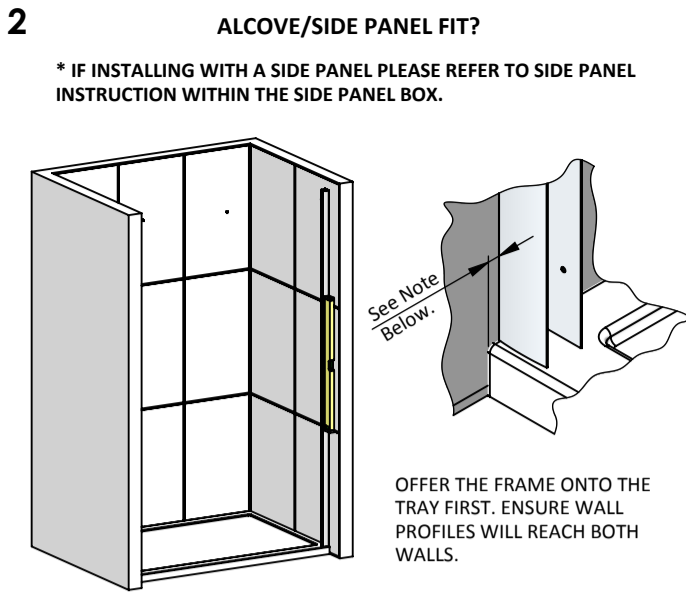
TOOLS REQUIRED

POWER DRILL - 3mm DRILL BIT - 6mm MASONARY DRILL BIT
 CROSS HEAD SCREW DRIVER - TAPE MEASURE - PENCIL
 SILICONE GUN WITH SANITARY GRADE SEALANT - SPIRIT LEVEL
 RUBBER HEAD MALLETT.

ITEM	DESCRIPTION	Note	QTY
1	TOP TRACK		1
2	BOTTOM TRACK		1
3	MAGNETIC POST		1
4	WALL PROFILE		2
5	GLASS PROFILE		1
6	FIXED PANEL GLASS		1
7	DOOR GLASS		1
8	BOTTOM ROLLERS (SPRING LOADED)	5mm & 6mm VERSIONS	2
9	TOP ROLLER (SCREW ADJUSTED)	5mm & 6mm VERSIONS	2
10	GLASS CLIP (TOP)		1
11	GLASS CLIP (BOTTOM)		1
12	VERTICAL WEDGE SEAL		1
13	GLASS BOTTOM SEAL		1
14	WALL PROFILE TOP CAP (RH)		1
15	WALL PROFILE TOP CAP (LH)		1
16	RECTANGULAR CAP		2
17	CONCEALED MAGNET		1
18	DOOR MAGNET		1
19	VERTICAL SEAL	CUT OT LENGTH AS REQ'D	2
20	BUMP STOPS (RH & LH)		2
21	SCREW DIA 3.6mm x 9.4mm PAN HEAD (SMALL HEAD)		8
22	SCREW DIA 3.9mm x 30mm PAN HEAD (SMALL HEAD)	FIXING TRACK, INCLUDING SPARES	8
23	SCREW DIA 3.9mm x 30mm PAN HEAD	FOR FIXING TO WALL	6
24	SCREW DIA 3.9mm x 10mm PAN HEAD		4
25	RAWLPLUG		6
26	SCREW CUP		10
27	SCREW CHROME CAP		10
28	CHROME HANDLE		1



ENSURE THE TRAY IS LEVEL IN ALL PLANES.

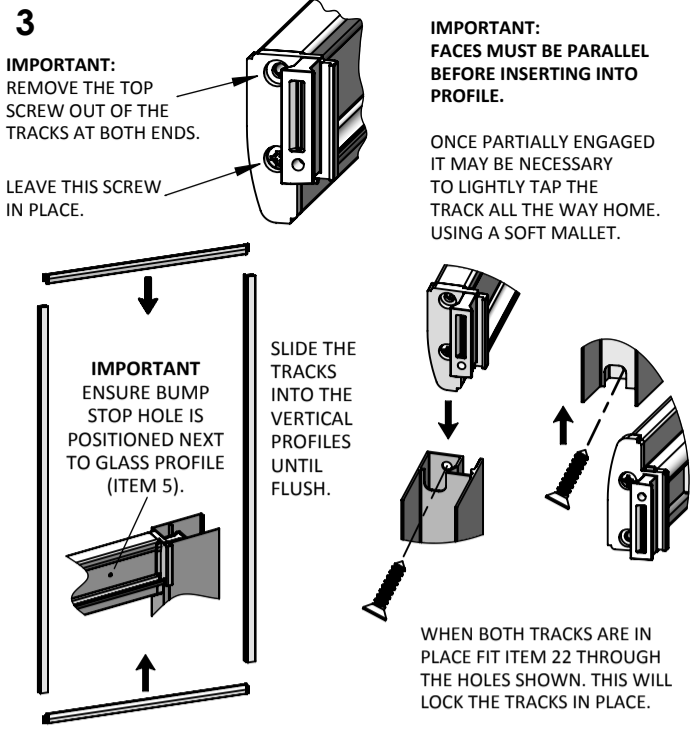


2 **ALCOVE/SIDE PANEL FIT?**
*** IF INSTALLING WITH A SIDE PANEL PLEASE REFER TO SIDE PANEL INSTRUCTION WITHIN THE SIDE PANEL BOX.**

See Note Below.

OFFER THE FRAME ONTO THE TRAY FIRST. ENSURE WALL PROFILES WILL REACH BOTH WALLS.

IN AN IDEAL INSTALLATION
 SET THE WALL PROFILES 8mm BACK FROM THE FACE OF THE TRAY. MAKE SURE THEY ARE TRUE WITH A SPIRIT LEVEL, THEN MARK THROUGH THE FIXING HOLES WITH A PENCIL. REMOVE PROFILES THEN DRILL AND PLUG THE WALL (ITEM 25). NOW FIX THE WALL PROFILES IN PLACE USING ITEMS 23.



3

IMPORTANT: REMOVE THE TOP SCREW OUT OF THE TRACKS AT BOTH ENDS.

LEAVE THIS SCREW IN PLACE.

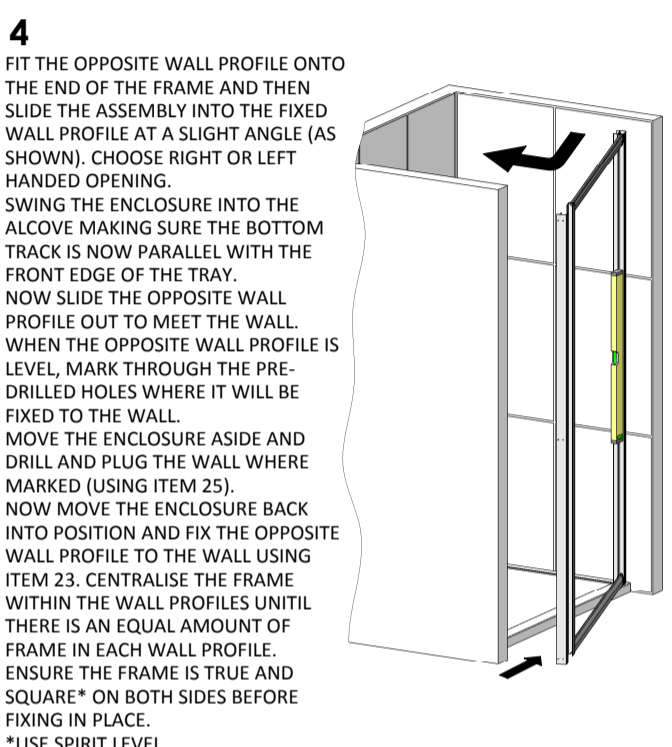
IMPORTANT: ENSURE BUMP STOP HOLE IS POSITIONED NEXT TO GLASS PROFILE (ITEM 5).

SLIDE THE TRACKS INTO THE VERTICAL PROFILES UNTIL FLUSH.

IMPORTANT: FACES MUST BE PARALLEL BEFORE INSERTING INTO PROFILE.

ONCE PARTIALLY ENGAGED IT MAY BE NECESSARY TO LIGHTLY TAP THE TRACK ALL THE WAY HOME. USING A SOFT Mallet.

WHEN BOTH TRACKS ARE IN PLACE FIT ITEM 22 THROUGH THE HOLES SHOWN. THIS WILL LOCK THE TRACKS IN PLACE.



4

FIT THE OPPOSITE WALL PROFILE ONTO THE END OF THE FRAME AND THEN SLIDE THE ASSEMBLY INTO THE FIXED WALL PROFILE AT A SLIGHT ANGLE (AS SHOWN). CHOOSE RIGHT OR LEFT HANDED OPENING.

SWING THE ENCLOSURE INTO THE ALCOVE MAKING SURE THE BOTTOM TRACK IS NOW PARALLEL WITH THE FRONT EDGE OF THE TRAY.

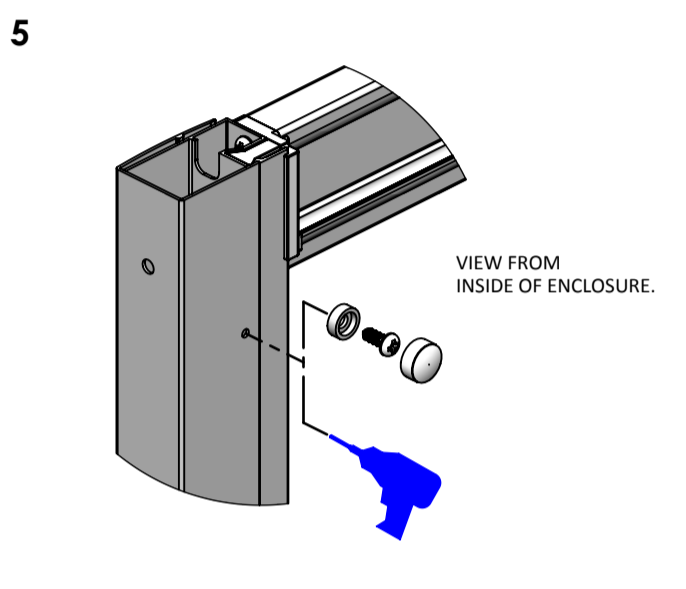
NOW SLIDE THE OPPOSITE WALL PROFILE OUT TO MEET THE WALL. WHEN THE OPPOSITE WALL PROFILE IS LEVEL, MARK THROUGH THE PRE-DRILLED HOLES WHERE IT WILL BE FIXED TO THE WALL.

MOVE THE ENCLOSURE ASIDE AND DRILL AND PLUG THE WALL WHERE MARKED (USING ITEM 25).

NOW MOVE THE ENCLOSURE BACK INTO POSITION AND FIX THE OPPOSITE WALL PROFILE TO THE WALL USING ITEM 23. CENTRALISE THE FRAME WITHIN THE WALL PROFILES UNTIL THERE IS AN EQUAL AMOUNT OF FRAME IN EACH WALL PROFILE.

ENSURE THE FRAME IS TRUE AND SQUARE* ON BOTH SIDES BEFORE FIXING IN PLACE.

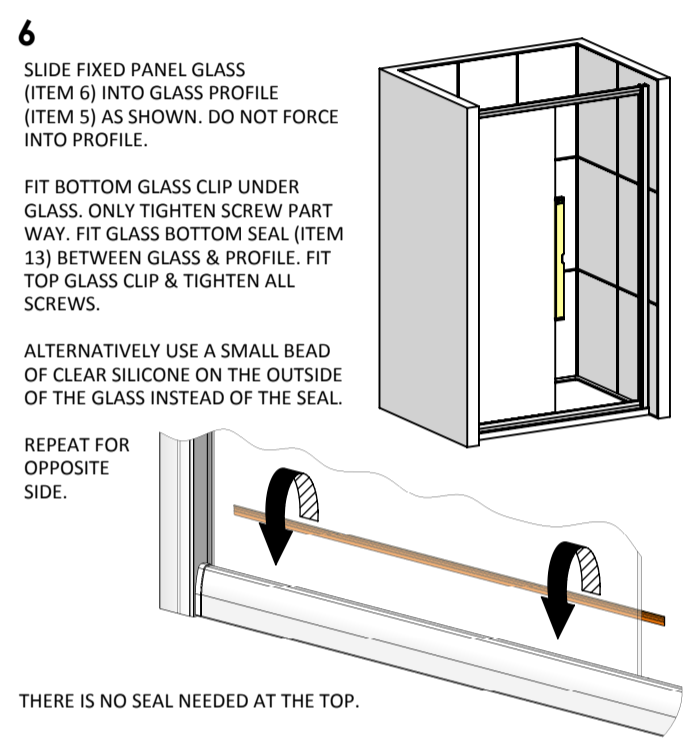
*USE SPIRIT LEVEL.



5

VIEW FROM INSIDE OF ENCLOSURE.

WHEN THE FRAME IS TRUE AND READY TO BE FIXED, DRILL THROUGH THE HOLES IN THE WALL PROFILE WITH A 3mm DRILL. (MAKE SURE YOU ONLY DRILL THROUGH ONE WALL THICKNESS) THEN FIX THE FRAME WITH ITEMS 24, 26 & 27.



6

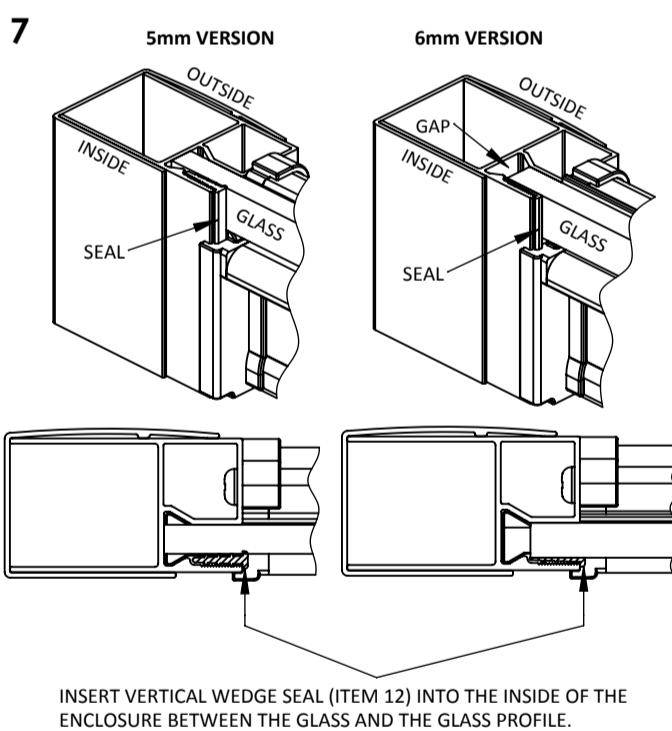
SLIDE FIXED PANEL GLASS (ITEM 6) INTO GLASS PROFILE (ITEM 5) AS SHOWN. DO NOT FORCE INTO PROFILE.

FIT BOTTOM GLASS CLIP UNDER GLASS. ONLY TIGHTEN SCREW PART WAY. FIT GLASS BOTTOM SEAL (ITEM 13) BETWEEN GLASS & PROFILE. FIT TOP GLASS CLIP & TIGHTEN ALL SCREWS.

ALTERNATIVELY USE A SMALL BEAD OF CLEAR SILICONE ON THE OUTSIDE OF THE GLASS INSTEAD OF THE SEAL.

REPEAT FOR OPPOSITE SIDE.

THERE IS NO SEAL NEEDED AT THE TOP.



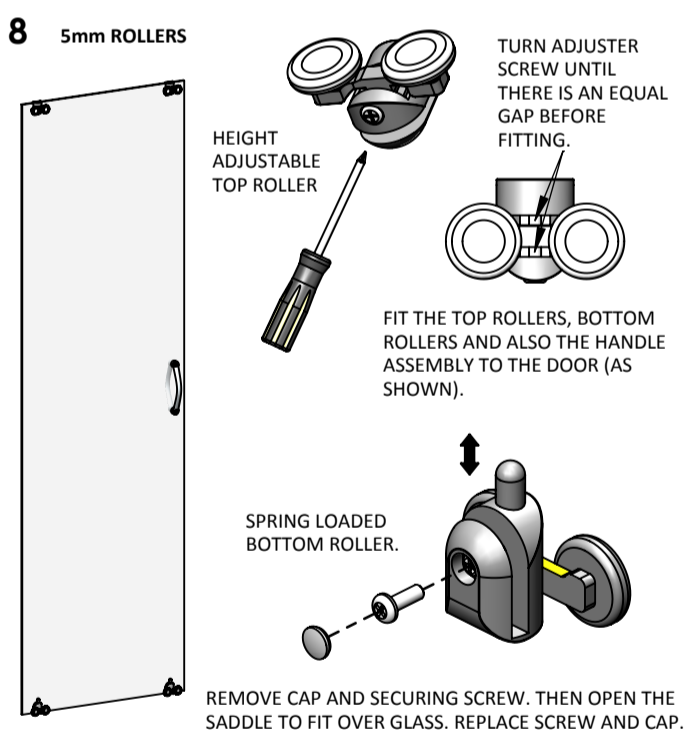
7

5mm VERSION **6mm VERSION**

INSIDE OUTSIDE SEAL GLASS

INSIDE OUTSIDE GAP SEAL GLASS

INSERT VERTICAL WEDGE SEAL (ITEM 12) INTO THE INSIDE OF THE ENCLOSURE BETWEEN THE GLASS AND THE GLASS PROFILE.



8 **5mm ROLLERS**

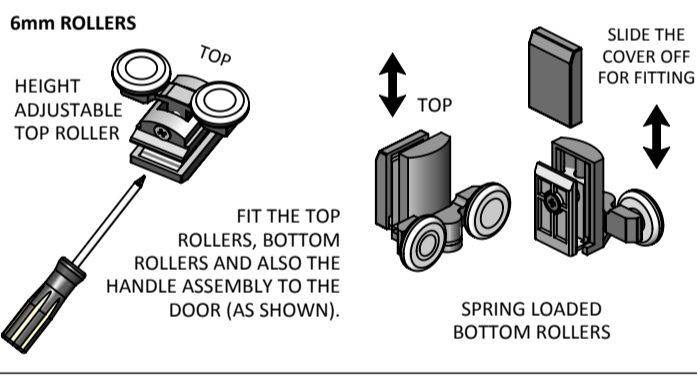
TURN ADJUSTER SCREW UNTIL THERE IS AN EQUAL GAP BEFORE FITTING.

HEIGHT ADJUSTABLE TOP ROLLER

FIT THE TOP ROLLERS, BOTTOM ROLLERS AND ALSO THE HANDLE ASSEMBLY TO THE DOOR (AS SHOWN).

SPRING LOADED BOTTOM ROLLER.

REMOVE CAP AND SECURING SCREW. THEN OPEN THE SADDLE TO FIT OVER GLASS. REPLACE SCREW AND CAP.



6mm ROLLERS

HEIGHT ADJUSTABLE TOP ROLLER

TOP

SLIDE THE COVER OFF FOR FITTING

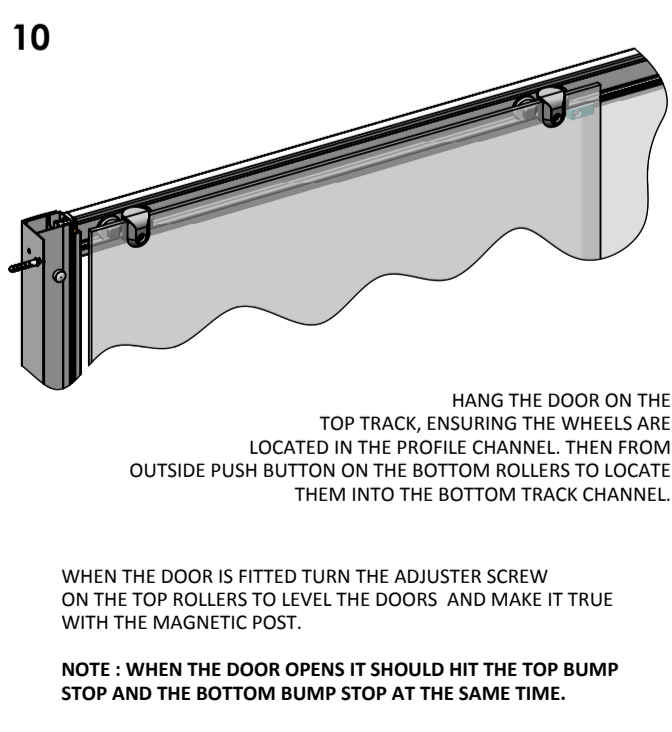
TOP

FIT THE TOP ROLLERS, BOTTOM ROLLERS AND ALSO THE HANDLE ASSEMBLY TO THE DOOR (AS SHOWN).

SPRING LOADED BOTTOM ROLLERS

9

FIT THE BUMP STOPS ITEM 20 TO THE TOP AND BOTTOM TRACKS WITH ITEM 24. DO NOT OVERTIGHTEN THE SCREWS.

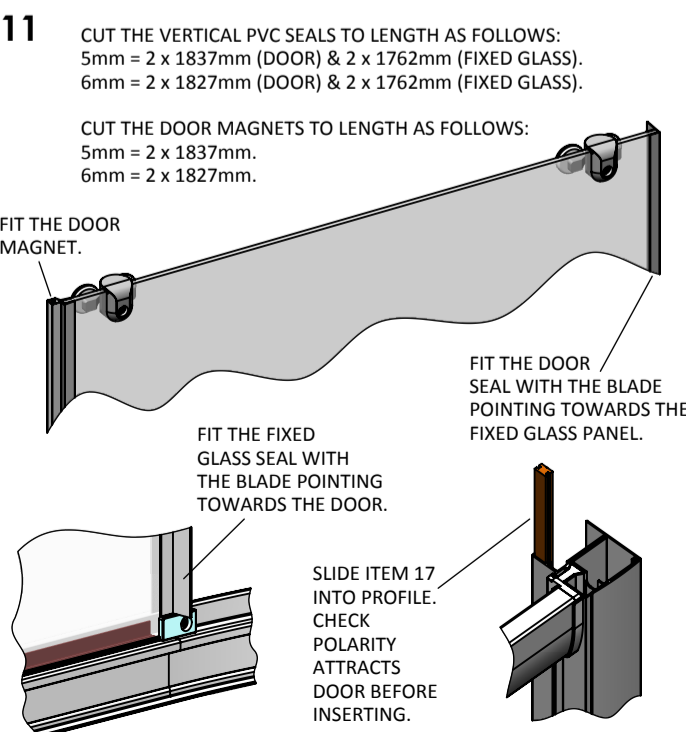


10

HANG THE DOOR ON THE TOP TRACK, ENSURING THE WHEELS ARE LOCATED IN THE PROFILE CHANNEL. THEN FROM OUTSIDE PUSH BUTTON ON THE BOTTOM ROLLERS TO LOCATE THEM INTO THE BOTTOM TRACK CHANNEL.

WHEN THE DOOR IS FITTED TURN THE ADJUSTER SCREW ON THE TOP ROLLERS TO LEVEL THE DOORS AND MAKE IT TRUE WITH THE MAGNETIC POST.

NOTE : WHEN THE DOOR OPENS IT SHOULD HIT THE TOP BUMP STOP AND THE BOTTOM BUMP STOP AT THE SAME TIME.



11

CUT THE VERTICAL PVC SEALS TO LENGTH AS FOLLOWS:
 5mm = 2 x 1837mm (DOOR) & 2 x 1762mm (FIXED GLASS).
 6mm = 2 x 1827mm (DOOR) & 2 x 1762mm (FIXED GLASS).

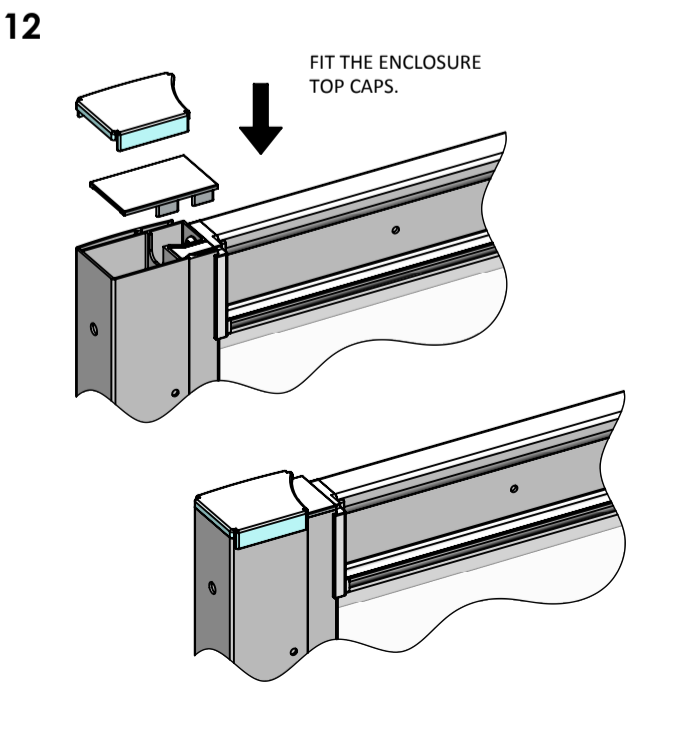
CUT THE DOOR MAGNETS TO LENGTH AS FOLLOWS:
 5mm = 2 x 1837mm.
 6mm = 2 x 1827mm.

FIT THE DOOR MAGNET.

FIT THE DOOR SEAL WITH THE BLADE POINTING TOWARDS THE FIXED GLASS PANEL.

FIT THE FIXED GLASS SEAL WITH THE BLADE POINTING TOWARDS THE DOOR.

SLIDE ITEM 17 INTO PROFILE. CHECK POLARITY ATTRACTS DOOR BEFORE INSERTING.



12

FIT THE ENCLOSURE TOP CAPS.