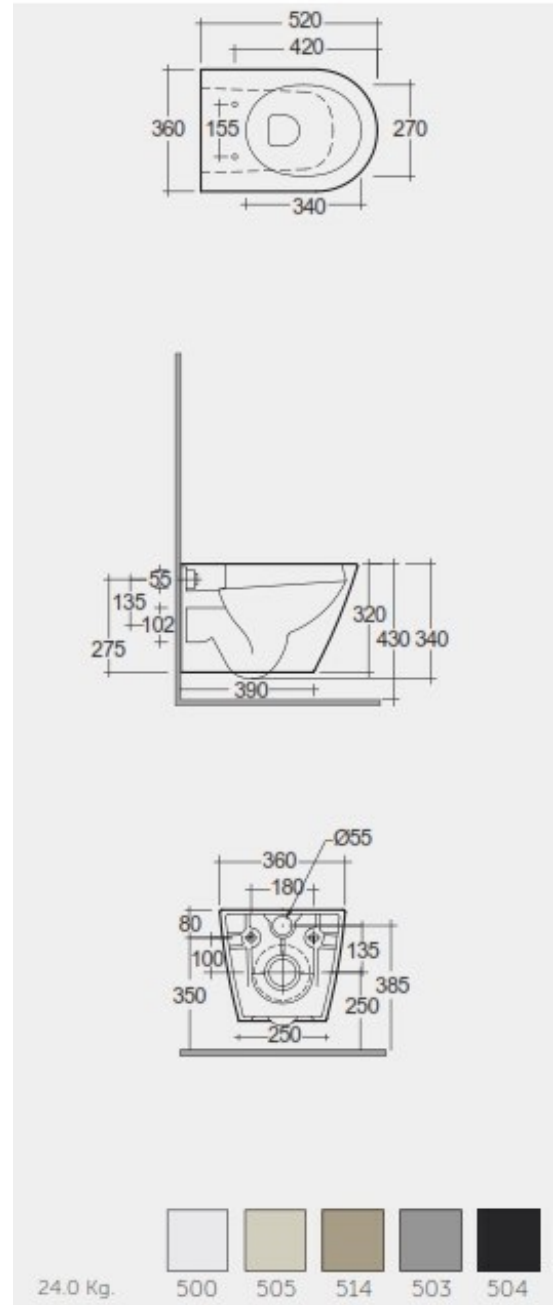


RAK-FEELING - RST23505A - MATT GREIGE

RAK
CERAMICS

Wall Hung | Water Closet



Technical specifications

Dimensions: 520 x 360 mm

Weight: 24 Kg

Color: Matt Greige - 505

Trap type: P Trap

Trapway type: Concealed

Seat cover options: Urea

Bowl shape: Compact Oval

Suites: [RAK-FEELING WC'S & BIDETS](#)

Code Name

RST23505A RAK-FEELING RIMLESS WALL HUNG WATER CLOSET 52 CM MATT GREIGE

Dimensions: All dimensions in mm tolerance $\pm 5\%$ for below 200mm and $\pm 3\%$ for above 200mm.

Note: Due to a continuing development programme to improve design and performance, the manufacturer reserves all rights to vary specifications without prior information.

Please note accessories are for photographic use only.