

# FH TDRD01 C

Accessories  
Traditional 157mm Round  
Fixed Head Chrome



## Specification

Product Type:	Fixed Shower Head
Main Construction Material:	Brass
Connection Inlet:	G 1/2" Female
Contemporary or Traditional:	Traditional
Finish Colour:	Chrome

### Features:

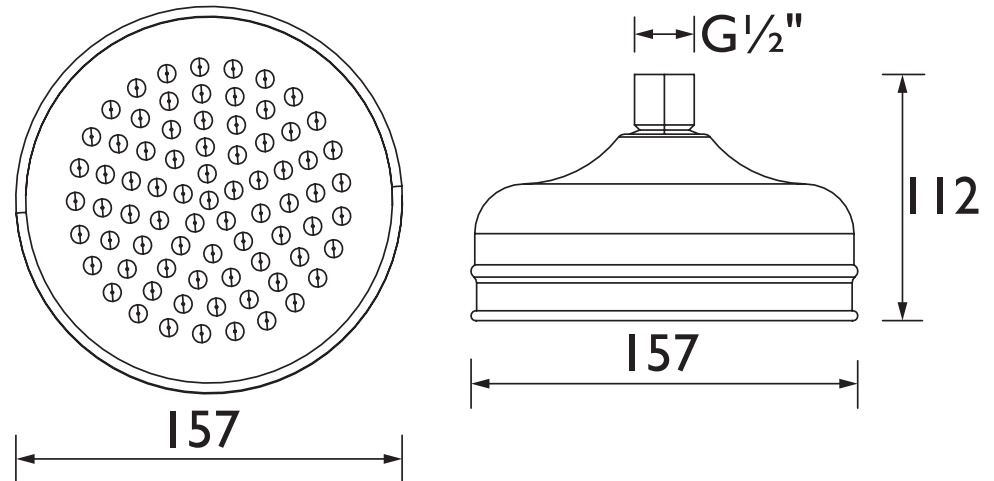
- Swivel joint for angle adjustment Rub-clean nozzles to remove limescale build up Diameter 157mm

### Product Certifications:



WRAS Cert. Number: 2007910  
WRAS Expiry Date: 31/07/2025

## Dimensions (measurements in mm)



For more products, visit our website:  
<http://www.bristan.com>



TECHNICAL  
DATA  
SHEET



BRISTAN

D7