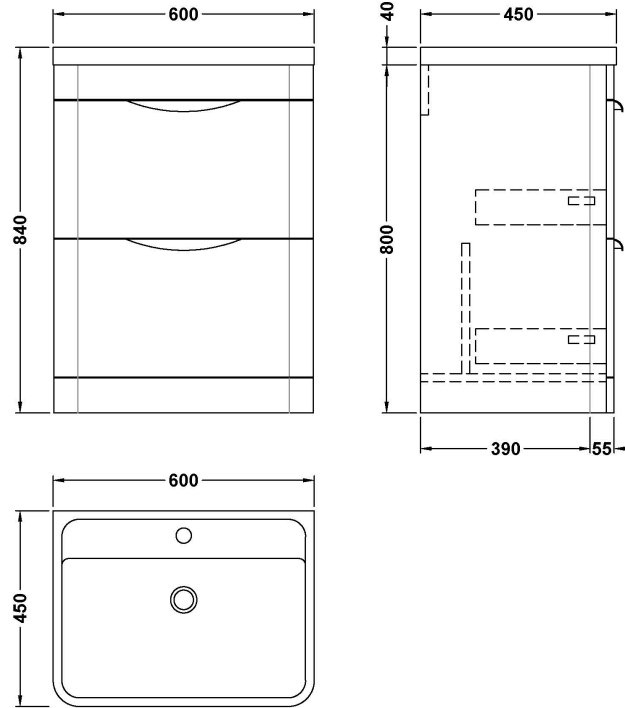


Sales Code: FPA1401

Description: Parade 600 F/S 2 Drawer Basin & Cabinet

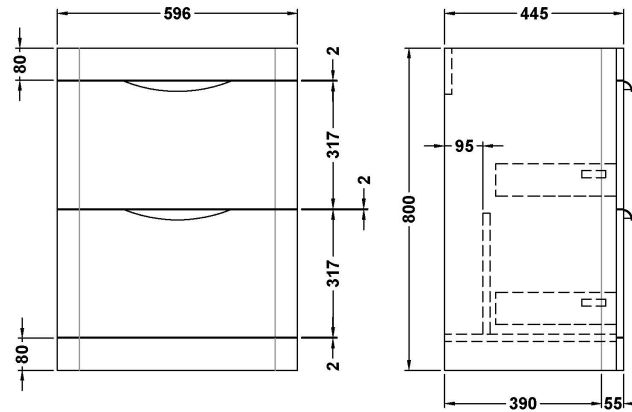


Packaging Details

Barcode: 5056462651590

Sales Code: PMP1493

Description: 600 Floor Standing 2-Drawer Basin Unit



Product Dimensions

| | |
|-------------------|-----|
| Height (mm): | 800 |
| Width (mm): | 596 |
| Depth (mm): | 445 |
| Nett Weight (kg): | 34 |

Packaging Dimensions

| | |
|--------------------|-----|
| Height (mm): | 850 |
| Width (mm): | 600 |
| Depth (mm): | 455 |
| Gross Weight (kg): | 34 |

Packaging Data

| | |
|---------------|-------------------------------|
| Box Colour: | Brown Cardboard Box - Printed |
| Box Qty: | 1 |
| Label Size: | 100 x 50 |
| Label Colour: | White Label |
| Label Qty: | 2 |

Outer Box Dimensions (If Applicable)

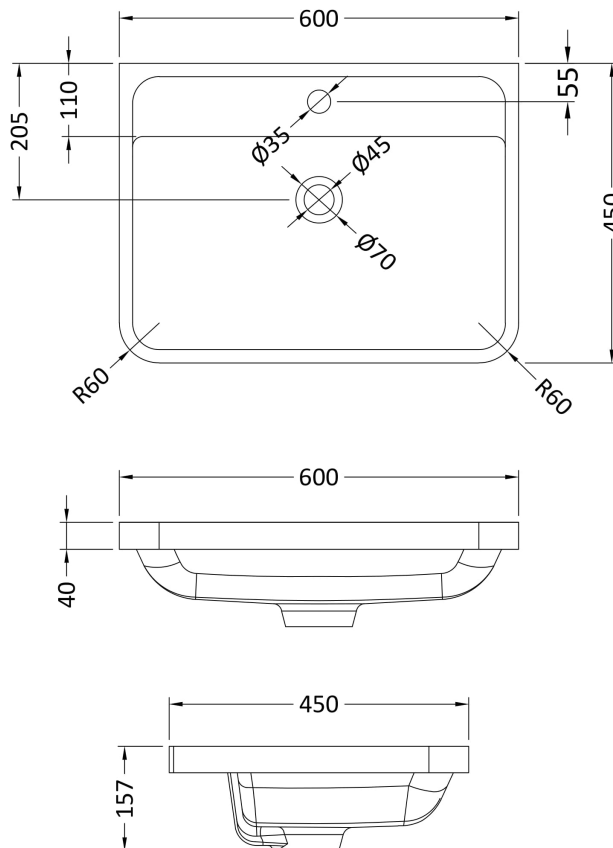
| | |
|--------------------|---------------|
| Height (mm): | |
| Width (mm): | |
| Depth (mm): | |
| Gross Weight (kg): | |
| Barcode: | 5056462618609 |

Product Details

| | |
|--------------------------|--------------------------------|
| Country of Origin: | China |
| Fitting Instruction: | No |
| CE Certification: | N/A |
| FSC Certified Materials: | Yes |
| Colour: | Satin Anthracite |
| Construction Method: | Cam & Wood Dowel |
| Construction Type: | Rigid |
| Cabinet Finish: | MFC Painted Matt |
| Fascia Finish: | Mdf Painted Matt |
| Cabinet Thickness (mm): | 18 |
| Fascia Thickness (mm): | 18 |
| Drawer Included: | Yes |
| Drawer Type: | 80mm High Metal S/C Inc Galler |
| No of Shelves: | 0 |
| Hinge Type: | Not Applicable |
| Hinge Included: | No |
| Adjustable Legs: | No |
| Fixings Included: | No |
| Handle Style: | Contemporary |
| Waste Shroud: | Yes |
| Handle Included: | Yes |
| Handle Type: | Cup |

Sales Code: PMB003

Description: 600X450mm Poly Marble Basin



Product Dimensions

| | |
|-------------------|-------|
| Height (mm): | 450 |
| Width (mm): | 600 |
| Depth (mm): | 157 |
| Nett Weight (kg): | 12.82 |

Packaging Dimensions

| | |
|--------------------|-------|
| Height (mm): | 167 |
| Width (mm): | 640 |
| Depth (mm): | 470 |
| Gross Weight (kg): | 12.82 |

Packaging Data

| | |
|---------------|-------------------------------|
| Box Colour: | Brown Cardboard Box - Printed |
| Box Qty: | 1 |
| Label Size: | 100 x 50 |
| Label Colour: | White Label |
| Label Qty: | 2 |

Outer Box Dimensions (If Applicable)

| | |
|--------------------|---------------|
| Height (mm): | |
| Width (mm): | |
| Depth (mm): | |
| Gross Weight (kg): | |
| Barcode: | 5055369021734 |

Product Details

| | |
|----------------------|-------------------------------|
| Country of Origin: | China |
| Fitting Instruction: | No |
| Certification: | CE: No WRAS: N/A WRAS No: N/A |
| Product Material: | Polymarble |
| Fixing Supplied: | No |

Pans/Bidets: Trap Style: Not Applicable Includes Seat: Not Applicable

Seats: Seat Type: Not Applicable Material: Not Applicable
Function: Not Applicable Hinge Type: Not Applicable
Hinge Material: Not Applicable

Cisterns: Operating Type: Not Applicable Fittings: Not Applicable
Lever Type: Not Applicable

Basins: Tap Hole: One Taphole Chain Stay Hole: No
Template: Not Required Waste Type Req: Slotted
Overflow Inc: Yes Overflow Cover: Yes
Inner Bowl Depth (mm): 110mm