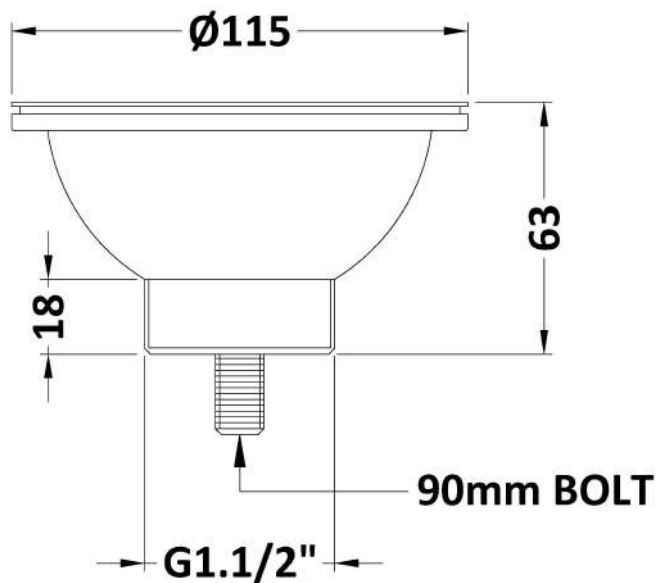


Sales Code: FW313

Description: Strainer Waste With Pull Out Basket



### Product Dimensions

Length (mm):	
Width (mm):	0
Height (mm):	0
Depth (mm):	0
Nett Weight (kg):	0.28

### Packaging Dimensions

Height (mm):	122
Width (mm):	122
Depth (mm):	100
Gross Weight (kg):	0.28

### Packaging Data

Box Colour:	
Box Qty:	0
Label Size:	0 x 0
Label Colour:	White Label
Label Qty:	0

### Outer Box Dimensions (If Applicable)

Height (mm):	0
Width (mm):	0
Length (mm):	
Depth (mm):	
Gross Weight (kg):	0
Barcode:	5056462666662

### Product Details

Country of Origin:	China
Fitting Instruction:	No
CE & UKCA:	No
Product Material:	Ss
Heating Element Wattage:	Not Applicable
Colour/Finish:	Chrome
Product Diameter:	115 mm
Connection Size:	G1 1/2"