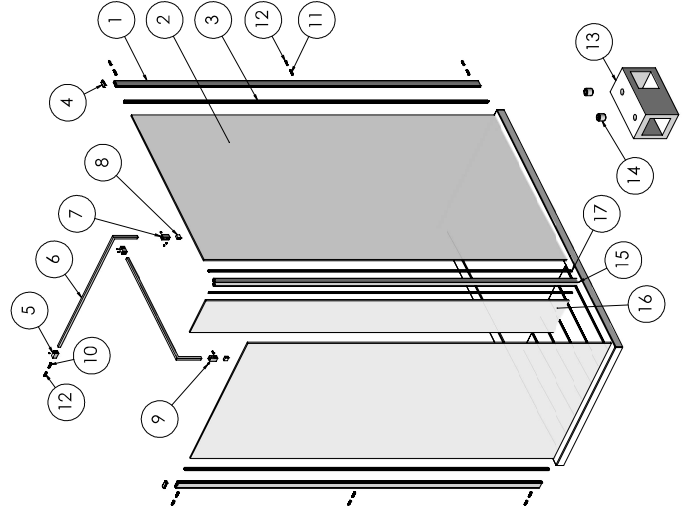


WETROOM SCREEN INSTRUCTION

THIS INSTRUCTION COVERS MULTIPLE APPLICATIONS (SOME PARTS ARE OPTIONAL).



UNPACK THE BOX AND ENSURE ALL COMPONENTS ARE PRESENT.
 NO REFINISH OR REFITTING COST WILL BE GIVEN IF INCOMPLETE OR DAMAGED GOODS ARE FITTED.
 THE TOUGHENED SAFETY GLASS IS MANUFACTURED TO SPECIFICATION EN12199-1 AND SHOULD BE HANDLED WITH CARE AS IMPACTS CAN DAMAGE THE GLASS AND CAUSE IT TO FAIL AT A LATER DATE.
 FIT THE SHOWER TRAY AS PER THE MANUFACTURERS INSTRUCTIONS.
 NOTE: IF THE TRAY ISN'T TRUE AND LEVEL, IT MUST BE RECTIFIED BEFORE SILICONEING AROUND THE TOP EDGE OF THE TRAY WHERE IT MEETS THE TILES. ALLOW THE SILICONE TO DRY BEFORE FITTING THE ENCLOSURE.

TOOLS REQUIRED

POWER DRILL - 8mm MASONRY DRILL BIT - CROSS HEAD SCREW DRIVER - TAPE MEASURE - PENCIL - SILICONE GUN WITH SANITARY GRADE SEALANT - SPIRIT LEVEL.

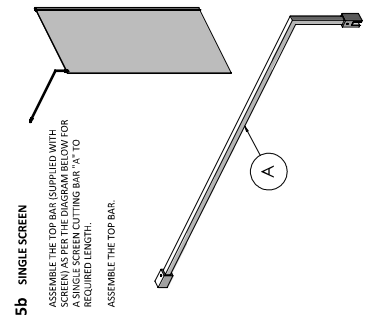
ITEM	DESCRIPTION	QTY	Notes
1	WALL PROFILE	1	
2	SHOWER WALL GLASS	1	
3	PUSH IN V-SEAL	1	
4	WALL PROFILE CAP	1	
5	TOP BAR WALL SOCKET	1	
6	TOP BAR	1	
7	GLASS CLAMP	1	
8	PVC SADDLE	1	
9	GRUB SCREW	4	
10	30mm CSK SCREW	1	
11	30mm SELF-TAPPER SCREW	3	FOR FIXING TO WALL
12	PLASTIC WALL PLUG	4	

WALK-IN T-PIECE SOCKET SET			
ITEM	DESCRIPTION	Note	QTY
13	T-PIECE SOCKET		1
14	GRUB SCREW		2

OPTIONAL RETURN PANEL			
ITEM	DESCRIPTION	Note	QTY
15	CORNER PROFILE		1
16	RETURN GLASS PANEL		1
17	WEDGE SEALS		2

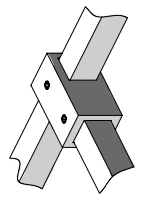
WALK-THROUGH			
ITEM	DESCRIPTION	Note	QTY
N/A	SCREEN SUPPORT FOOT	ONLY COMES WITH WALK-THROUGH SCREENS	2
N/A	SCREEN SUPPORT BAR	MADE UP OF ITEMS: 5, 6, 7, 8, 9, 10 & 12.	1

ASSEMBLE THE TOP BAR (SUPPLIED WITH SCREEN) AS PER THE DIAGRAM ACROSS FOR A WALK-IN CONFIGURATION CUTTING BAR 'A' TO REQUIRED LENGTH.
 ENSURE BEFORE FIXING THE TOP BAR WALL SOCKET THAT YOU HAVE POSITIONED THE T-PIECE SOCKET (ITEM 13) ONTO BAR 'A' WITH THE GRUB SCREWS (ITEM 14) FACING UPWARDS.
 NOW MEASURE AND CUT BAR 'B' TO SUIT.
 ASSEMBLE THE TOP BARS.

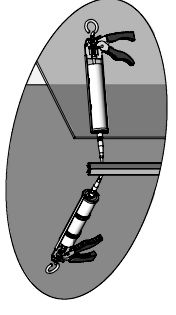


5c WALK-IN CONFIGURATION

ASSEMBLE THE TOP BARS (SUPPLIED WITH SCREEN) AS PER THE DIAGRAM ACROSS FOR A WALK-IN CONFIGURATION CUTTING BAR 'A' TO REQUIRED LENGTH.
 ENSURE BEFORE FIXING THE TOP BAR WALL SOCKET THAT YOU HAVE POSITIONED THE T-PIECE SOCKET (ITEM 13) ONTO BAR 'A' WITH THE GRUB SCREWS (ITEM 14) FACING UPWARDS.
 NOW MEASURE AND CUT BAR 'B' TO SUIT.
 ASSEMBLE THE TOP BARS.

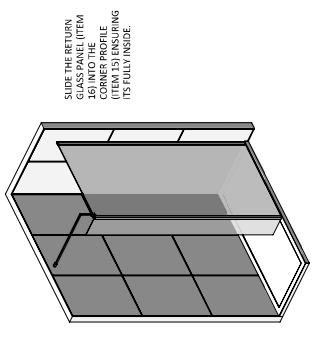


7 OPTIONAL PANEL

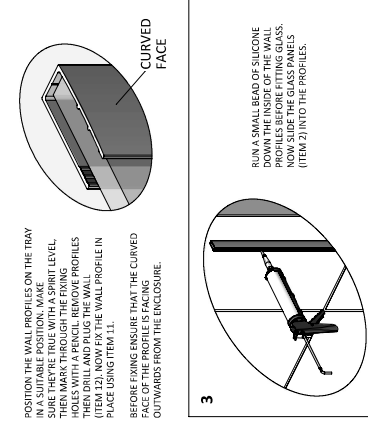
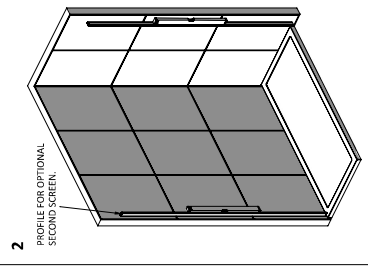
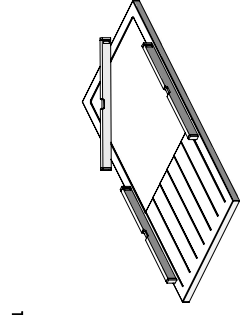


TO FIX THE OPTIONAL GLASS PANEL INTO PLACE, FIRSTLY RUN A SMALL BEAD OF SILICONE DOWN THE INSIDE OF EACH GLASS SLOT ON THE CORNER PROFILE (ITEM 15) STOPPING 5mm SHORT AT EITHER END. THEN SLOT THE CORNER POST ON TO THE END OF THE SHOWER WALL (ITEM 12).

8 OPTIONAL PANEL



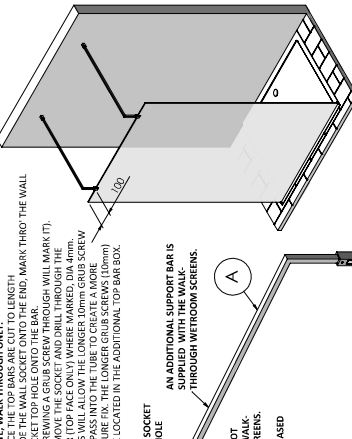
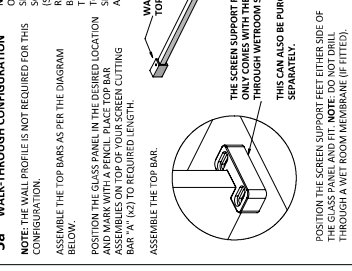
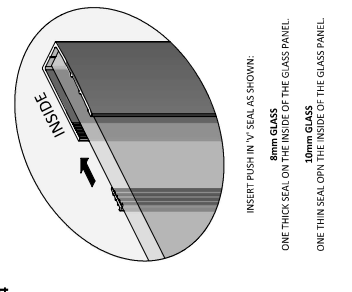
SLIDE THE RETURN GLASS PANEL FROM 16 INTO THE CORNER PROFILE (ITEM 15) ENSURING IT IS FULLY INSIDE.



ENSURE THE TRAY IS LEVEL IN ALL PLANES.
 IF THE TRAY IS NOT LEVEL IT WILL CAUSE FITTING ISSUES.

POSITION THE WALK PROFILES ON THE TRAY IN A SUITABLE POSITION. MAKE SURE THEY'RE TRUE WITH A SPIRIT LEVEL. THEN MARK THROUGH THE FIXING HOLES ON THE WALK PROFILES THEN DRILL AND PLUG THE WALL IN PLACE USING ITEM 11.
 BEFORE FIXING ENSURE THAT THE CURVED FACE OF THE PROFILE IS FACING OUTWARDS FROM THE ENCLOSURE.

RUN A SMALL BEAD OF SILICONE DOWN THE INSIDE OF THE WALL PROFILES. NOW SLIDE THE GLASS PANELS (ITEM 2) INTO THE PROFILES.

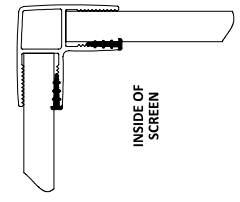


INSERT PUSH IN V-SEAL AS SHOWN:
 8mm GLASS
 ONE THICK SEAL ON THE INSIDE OF THE GLASS PANEL.
 10mm GLASS
 ONE THIN SEAL ON THE INSIDE OF THE GLASS PANEL.

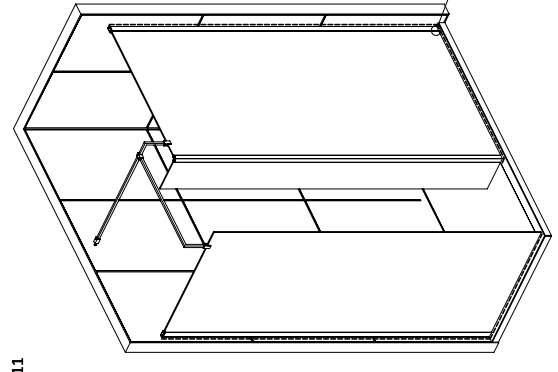
NOTE: WALK THROUGH ONLY COMES WITH WALK-THROUGH SCREENS. THE WALL SOCKET (ITEM 5) MUST BE SLIDED ONTO THE BAR (ITEM 6) BEFORE THE WALL SOCKET TOP HOLE ONTO THE BAR. (SCREWING A GRUB SCREW THROUGH WILL MARK IT). THIS WILL ALLOW THE LONGER 10mm GRUB SCREW TO PASS INTO THE TUBE TO CREATE A MORE SECURE FIT. THE WALK THROUGH SCREENS ARE LOCATED IN THE ADDITIONAL TOP BAR BOX.

NOTE: THE WALL PROFILE IS NOT REQUIRED FOR THIS CONFIGURATION.
 ASSEMBLE THE TOP BARS AS PER THE DIAGRAM BELOW.
 POSITION THE GLASS PANEL IN THE DESIRED LOCATION TO PASS INTO THE TUBE TO CREATE A MORE SECURE FIT. THE WALK THROUGH SCREEN CUTTING BAR 'A' (N/A) TO REQUIRED LENGTH.
 ASSEMBLE THE TOP BAR.
 AN ADDITIONAL SUPPORT BAR IS SUPPLIED WITH THE WALK-THROUGH WETROOM SCREENS.
 THIS CAN ALSO BE PURCHASED SEPARATELY.
 POSITION THE SCREEN SUPPORT FEET EITHER SIDE OF THE GLASS PANEL AND FIT. NOTE: DO NOT DRILL THROUGH A WET ROOM MICROBARE (IF FITTED).

9 OPTIONAL PANEL

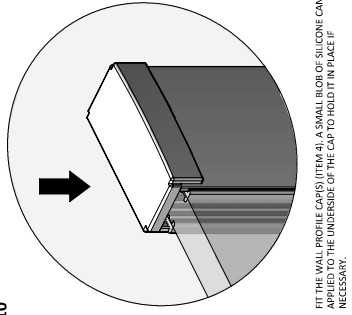


FINALLY FIT THE WEDGE BARS (ITEM 17) INTO THE CORNER PROFILE AS SHOWN ABOVE. STARTING AT THE BOTTOM, PLACE THE SEAL ALONG THE LENGTH OF THE PROFILE. A WOODEN BLOCK CAN BE USED TO AID FITTING. TRIM OFF ANY SURPLUS SEAL AT THE TOP SO IT'S EVEN WITH THE PROFILE.



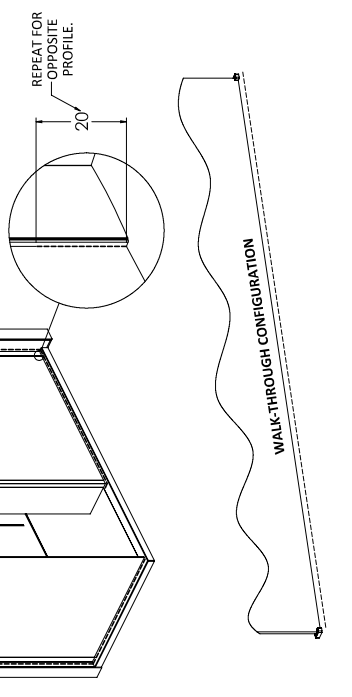
11

EXTERNALLY SILICONE SEAL THE WALL PROFILE WHERE IT MEETS THE WALL AND ALONG THE BOTTOM OF THE GLASS. ALL IN A CONTINUOUS BEAD.
 DO NOT SILICONE INSIDE THE ENCLOSURE.
 ALLOW THE SILICONE AT LEAST 24 HOURS TO FULLY CURE.
AFTERCARE - ENSURE YOU CLEAN YOUR PRODUCT REGULARLY TO PREVENT BUILD UP OF WATER, SOAP AND ANY RESIDUE WITH A SOFT DAMP CLOTH.
MAINTENANCE - ENSURE PARTS ARE FREE FROM ANY DEBRIS OR SOAP BUILD UP.
TROUBLE SHOOTING GUIDE
 1. IS THE TRAY LEVEL (SEE STEP 1).
 2. DO THE WALK THROUGH PROFILES FLUISH VERTICALLY (SEE STEP 2).
 3. DO THE FINISHED TRAY MEASUREMENTS AND COMPARE WITH THE ADJUSTMENTS LISTED IN THE PRODUCT SPECIFICATION.



10

FIT THE WALL PROFILE CAP (ITEM 4). A SMALL BEAD OF SILICONE CAN BE APPLIED TO THE UNDERSIDE OF THE CAP TO HOLD IT IN PLACE IF NECESSARY.



20

REPEAT FOR OPPOSITE PROFILE.