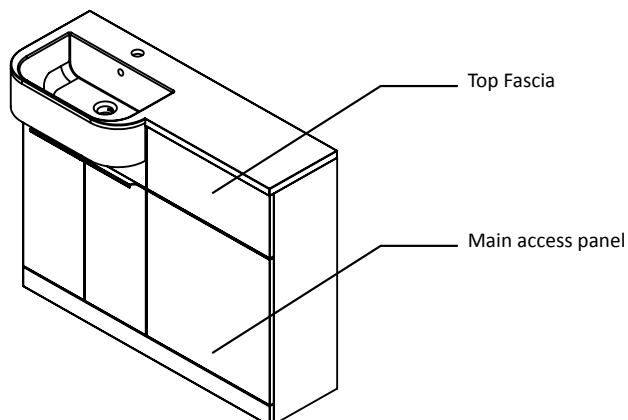


# MATCH 1000MM BACK TO WALL (MATRSO/MATRW/MATLSO/MATLW) INSTALLATION AND AFTERCARE INSTRUCTIONS

## Important Installation Notes

It is essential that any surfaces of the unit which are cut during installation are re-sealed using an appropriate waterproof sealant, varnish or oil based paint. Failure to re-seal cut surfaces will invalidate the product warranty and may result in water damage.



## Installing WC / Bidet

It is recommended that units are joined before they are fixed to the wall. Please note that these instructions are a guide only and may not be appropriate for all installations. Fit WC / Bidet according to manufacturer's instructions. The main access panel and fascia are designed to be fitted / removed after the WC / bidet is installed. The Tavistock Vortex cistern is recommended to fit Match furniture.

A normal installation of a WC would be as follows:

1. Remove the top fascia by gently pulling it towards you.
2. Remove main access panel by simply sliding upwards.
3. Fit unit in required location ensuring correct position of supply and waste pipes. Unit can be secured to the wall by screwing through the rear batons.
4. Fit WC and cistern according to the manufacturer's instructions - check system carefully for leaks.
5. Cut a suitable slot in the main access panel to allow for the soil pipe. Note: Cut this slot as wide as possible to make the refitting of the main access panel easier. The cut surfaces should then be sealed with an appropriate waterproof sealant. Refit the panel by sliding and pushing it back into position. Silicone the join between the WC and the access panel.
6. Re-fit fascia.
7. Drill a suitable diameter hole in the fascia for the cistern operating button and install according the manufacturers guidelines.

The installation of a bidet is identical, except there is no requirement for a cistern & operating button.

Fig .1



## Fitting the Basin

Once the basin has been plumbed in, finish by securing to the washstand using a silicone sealant (not supplied).

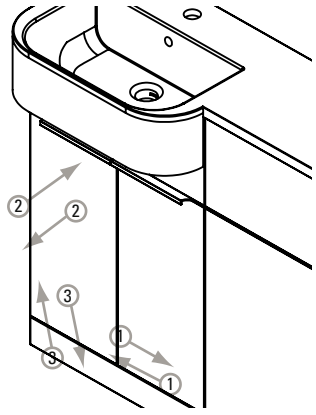
## Aligning the Doors

1

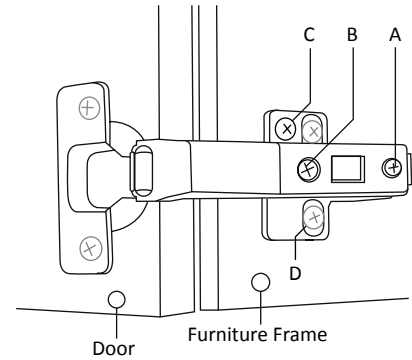
To make adjustment 1 (see Drawing 2) tighten/loosen adjustment screw B.

To make adjustment 2 (see Drawing 2) simply turn screw A.

To make adjustment 3 (see Drawing 2) unscrew screw C and simply turn screw D.



2



## Furniture Aftercare Instructions

As with all wooden furniture, this product should be treated with care.

### We Recommend...

- Wipe away any water splashes or condensation after use. Excessive exposure to water will deteriorate the furniture
- All bathrooms should be well ventilated with a suitable extractor fan
- Clean with a soft damp cloth only
- Use a wax free polish if one must be used
- For removal of lime scale deposits use a suitable proprietary cleaner

### Please DO NOT...

- Do not scrub or scour
- Do not use abrasive cleaning agents

Should you require any replacement components for this product please contact Tavistock using the contact details below.