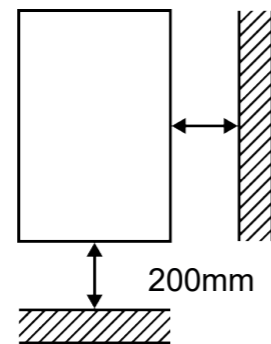


Function

1. Please choose below operation according to what product you purchase:
 - A. Touch switch.
 - B. Touch switch holding to gradually dim the light.
 - C. Touch switch press-hold colour change.
 - D. Tap-tap touch colour change.
 - E. The first short touch, turns on the light and demist pad;
 - F. The second short touch, changes the color temperature; The third short touch, turns off the light and demist pad. When the light is to be turned on; the first touch alters the brightness of the light can be changed from 100% to 10% or 10% to 100%, on the second holding touch; the brightness of the light can be changed from 10% to 100% or 100% to 10%

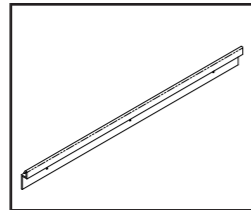
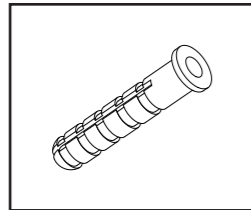
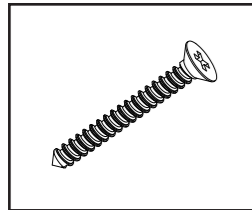


50mm Max
sensor distance.

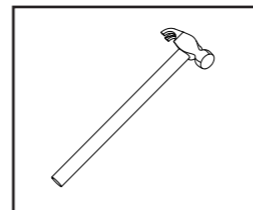
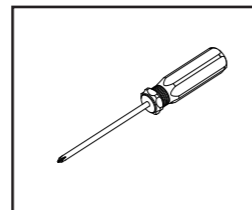
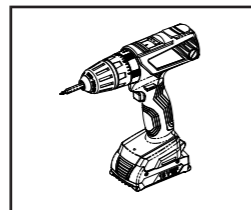
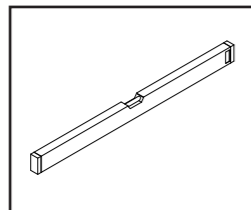
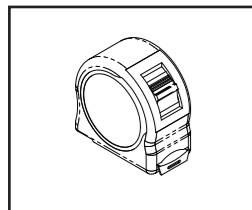


*Please Note Products with an Infrared Sensor must be installed with a minimum of 200mm between the sensor and any solid Object or reflective surface.

Parts List



Installation Tools

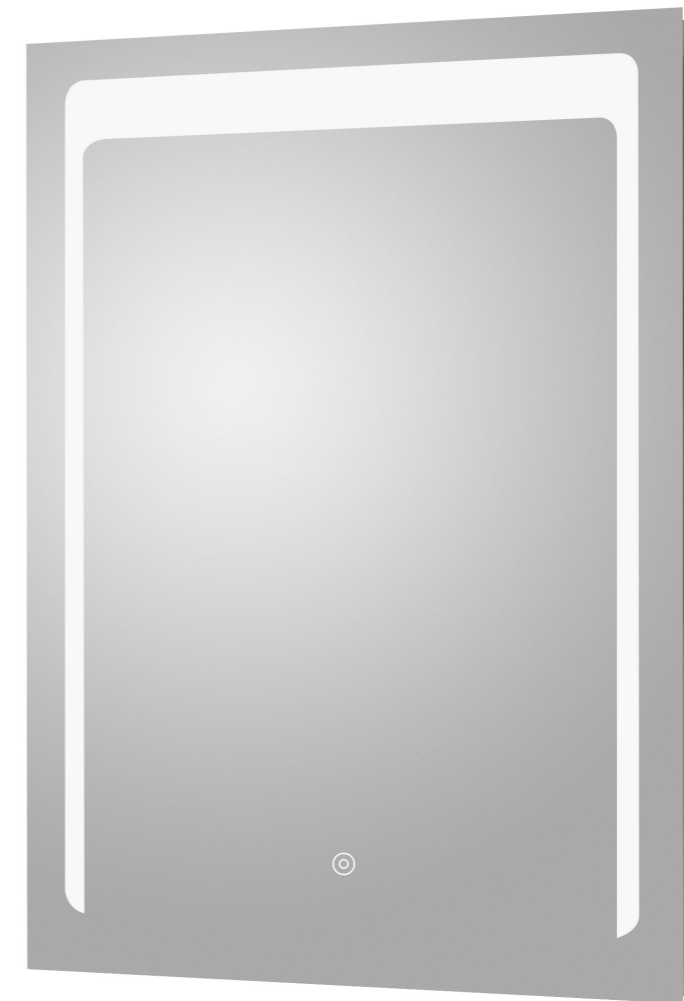


Warning Tips:

1. Please check the product is not damaged before installation.
2. During operation, never put hard and sharp objects directly against the mirror surface. Otherwise, it may result in damage and even personal injury accident.
3. It maybe necessary to turn off the power switch during storms. Otherwise, lightning may damage electric elements of the product.
4. During normal operation, never forcibly pull out the power plug to turn off the product. Otherwise, electric elements of the product may be damaged.
5. Please pull out the power plug if the product is not to be used for a long periods.

Installation Manual for LED Bathroom Mirror

(Suitable for touch switch and infrared sensor product installation using a wall bracket or screw fixed)

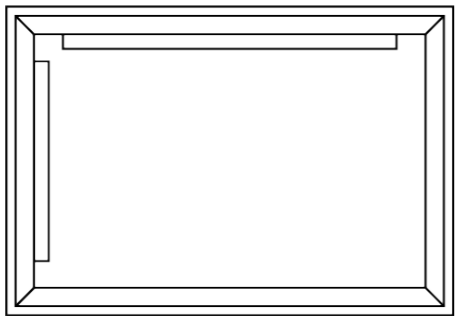
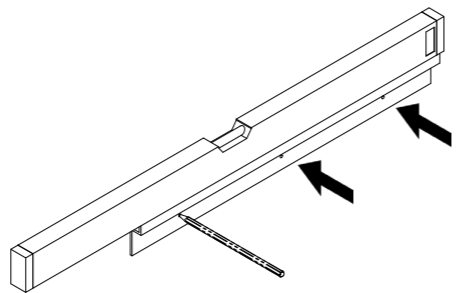
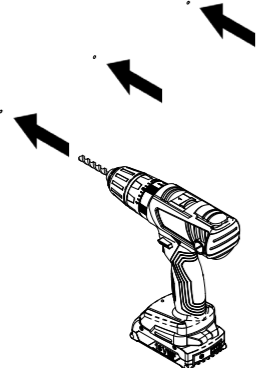
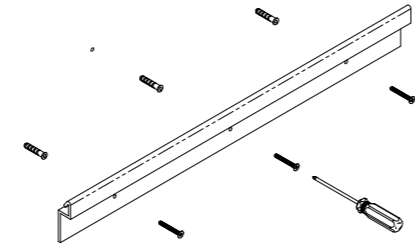

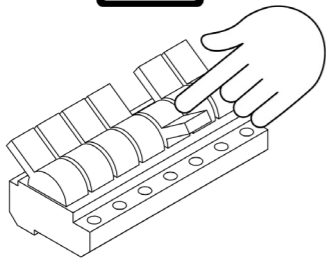
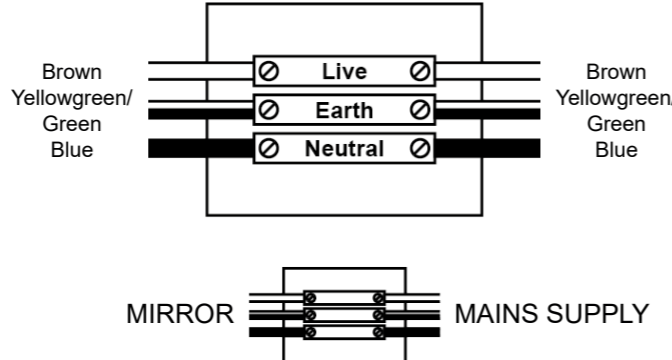
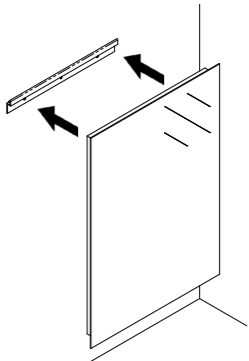
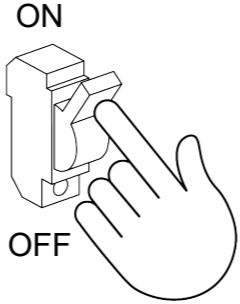


Notes: to ensure the normal use of this products, it is required set out wires as per the regulations of IEE at the installation places.

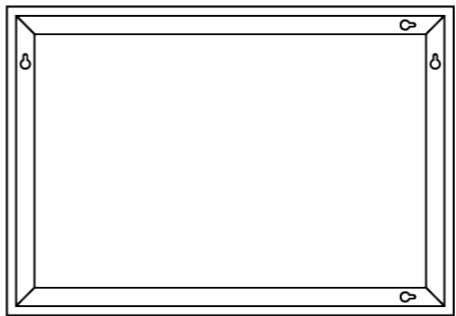
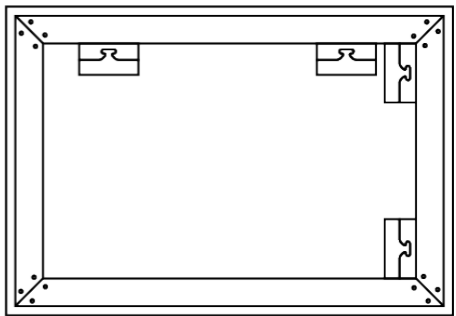
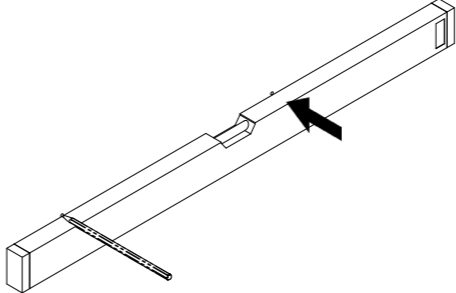
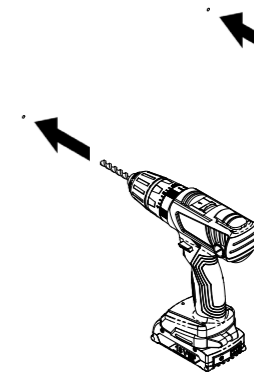
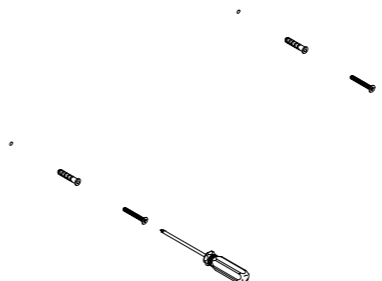

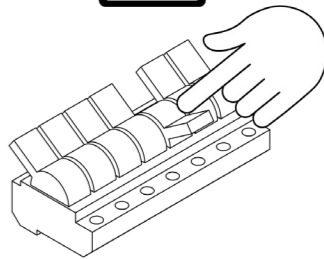
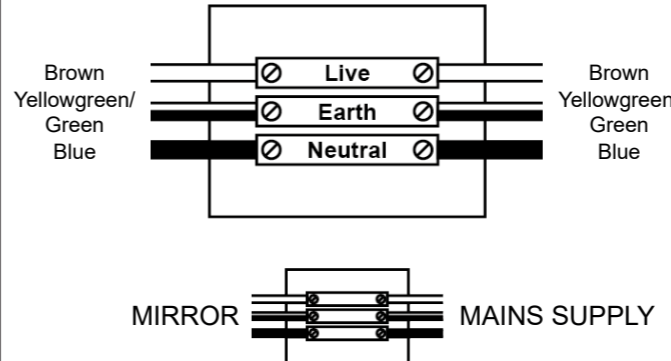
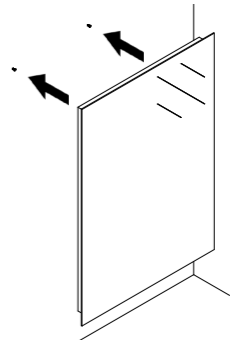
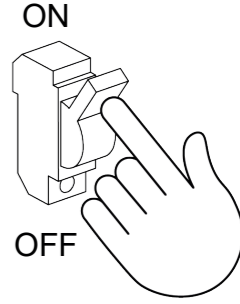
The products are only to be installed indoors.

The installation must be carried out by a professional electrician, Incorrect installation may lead to product damage and personal injury

Installation Manual (Instruction for LED bathroom mirror)

<p>1. (Landscape Installation)</p>  <p>(Portrait Installation)</p> <p>Choose portrait or landscape installation.</p>	<p>2.</p>  <p>Level the wall hanging bracket and mark the fixing positions with a pencil.</p>
<p>3.</p>  <p>Drill holes for wall plugs.</p>	<p>4.</p>  <p>Fit the wall plugs into the wall and fix using screws.</p>
<p>5.</p>   <p>Please cut off all the power before the connection.</p>	<p>6.</p>  <p>Connect as per above photo.</p>
<p>7.</p>  <p>Hang mirror and check it's stable.</p>	<p>8.</p>  <p>Turn on the power.</p>

Screw Fix Installation Manual (Instruction for LED bathroom mirror)

<p>1. (Landscape Installation)</p>  <p>(Portrait Installation)</p> <p>Choose portrait or landscape installation. Measure the distance between the two holes.</p>	<p>1.</p>  <p>(Portrait Installation)</p> <p>Choose portrait or landscape installation. Measure the distance between the two holes.</p>
<p>2.</p>  <p>Mark the distance between two holes on the wall with a pen ensuring the holes drilled level.</p>	<p>3.</p>  <p>Drill holes for wall plugs.</p>
<p>4.</p>  <p>Fit the wall plugs into the wall and fix using screws.</p>	<p>5.</p>   <p>Please cut off all the power before the connection.</p>
<p>6.</p>  <p>Connect as per above photo.</p>	<p>7.</p>  <p>Hang mirror and check it's stable.</p> <p>8.</p>  <p>Turn on the power.</p>