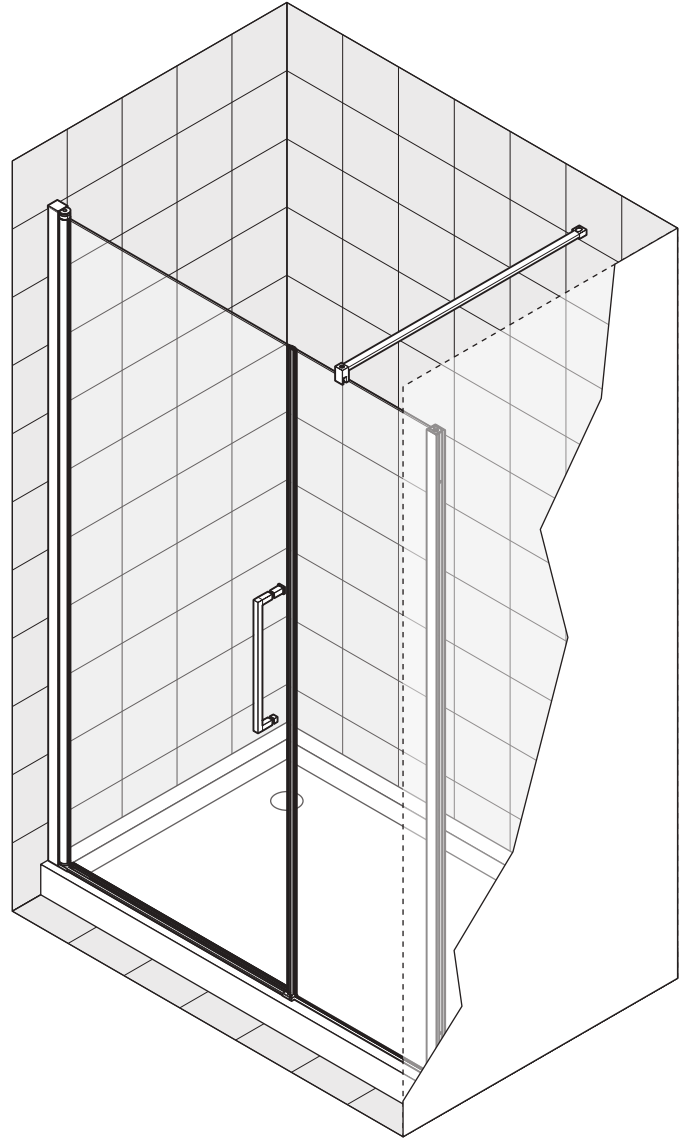
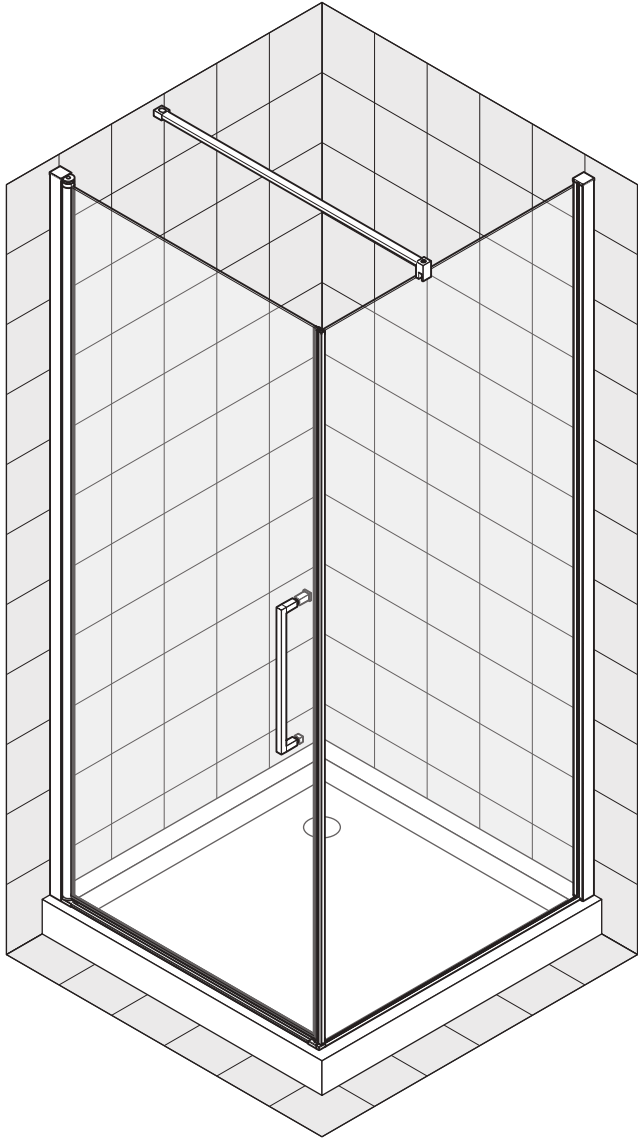
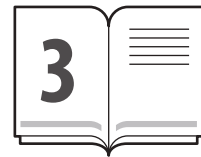
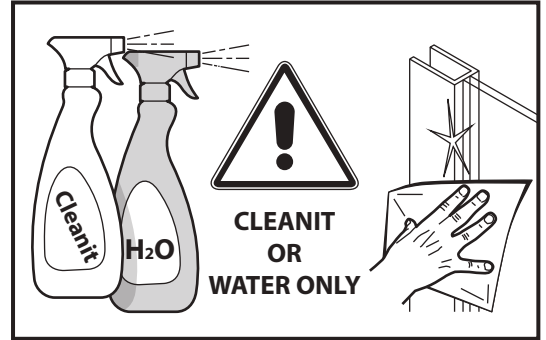
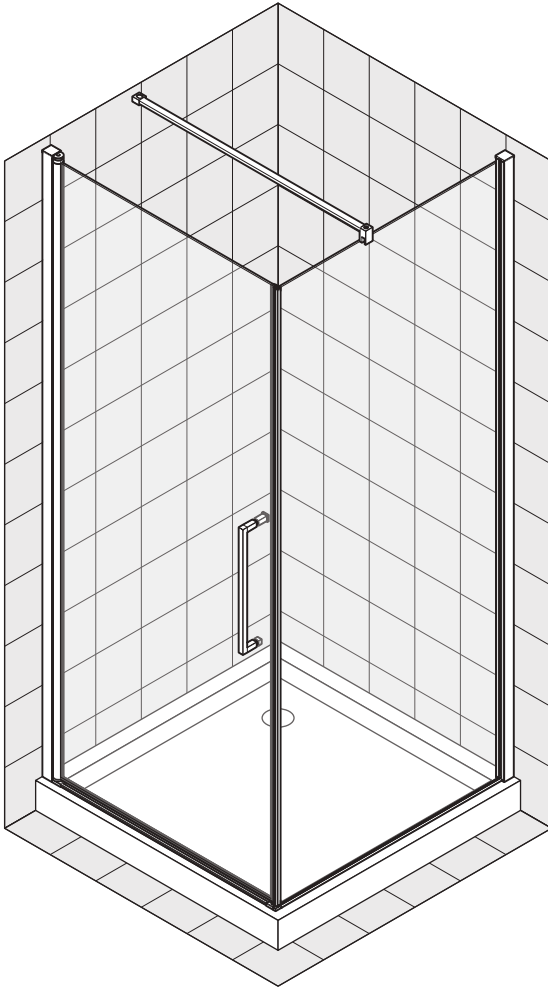


GF

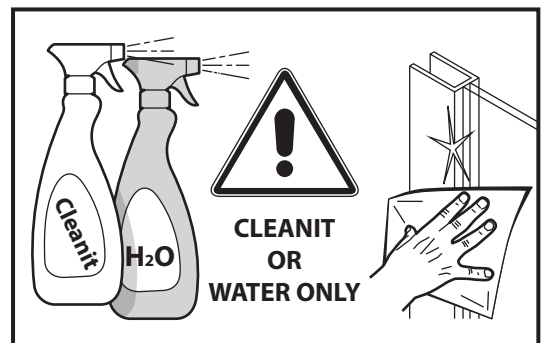
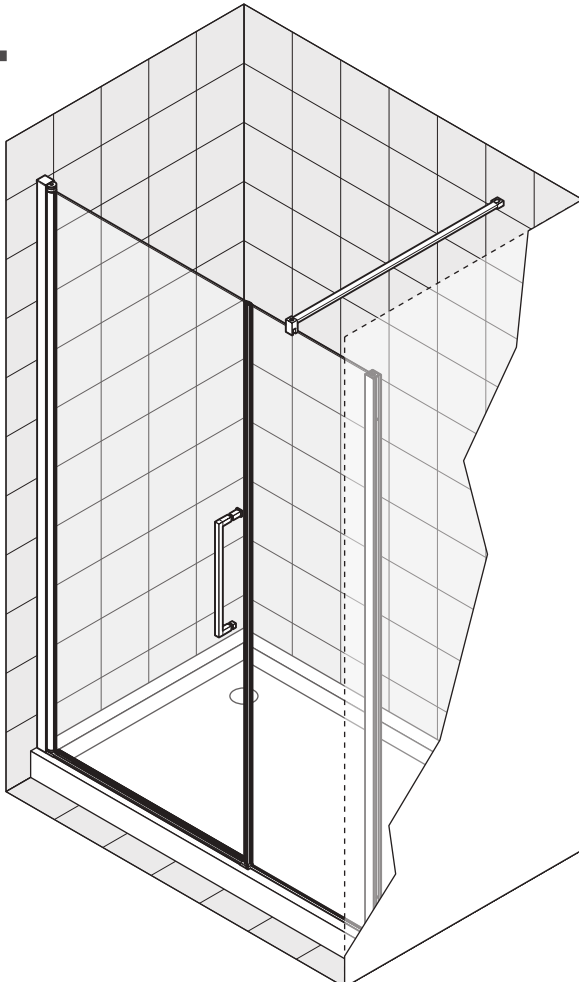


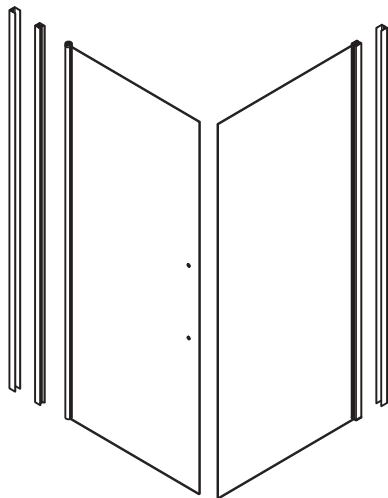
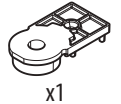
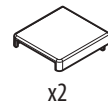
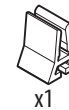
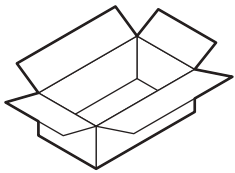
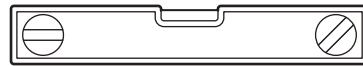
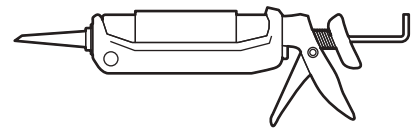
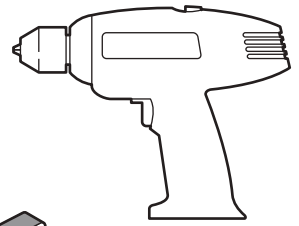
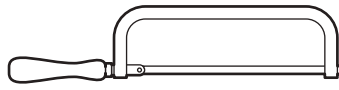
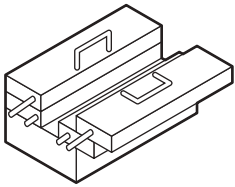
| | |
|-------------------------|-------------------------|
| <hr/> <hr/> <hr/> <hr/> | <hr/> <hr/> <hr/> <hr/> |
|-------------------------|-------------------------|

GF



G+FL



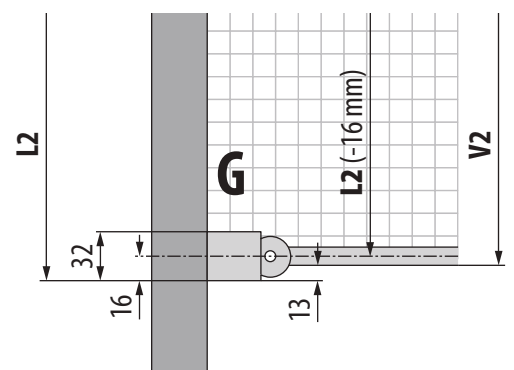
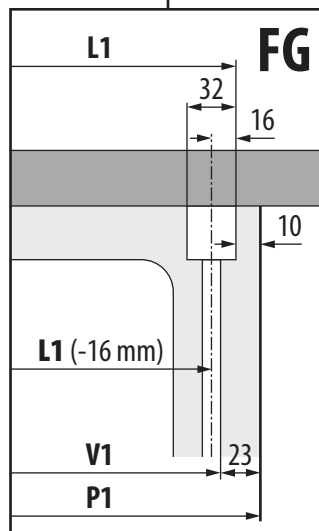
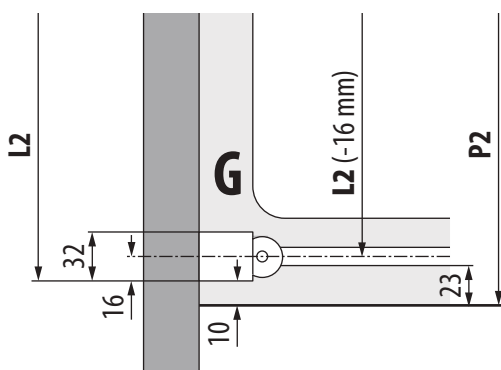
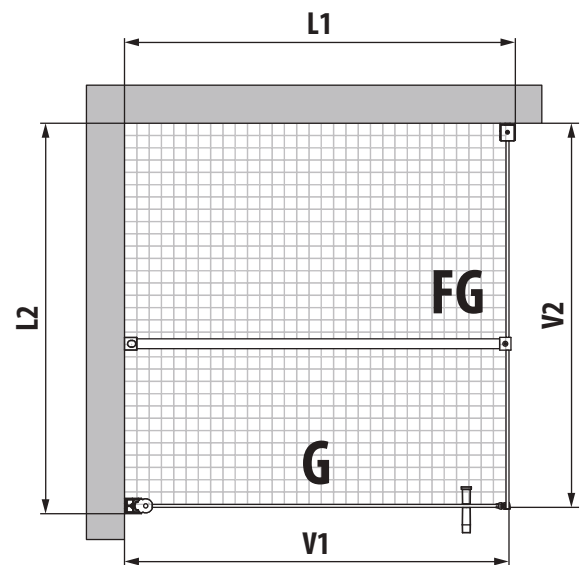
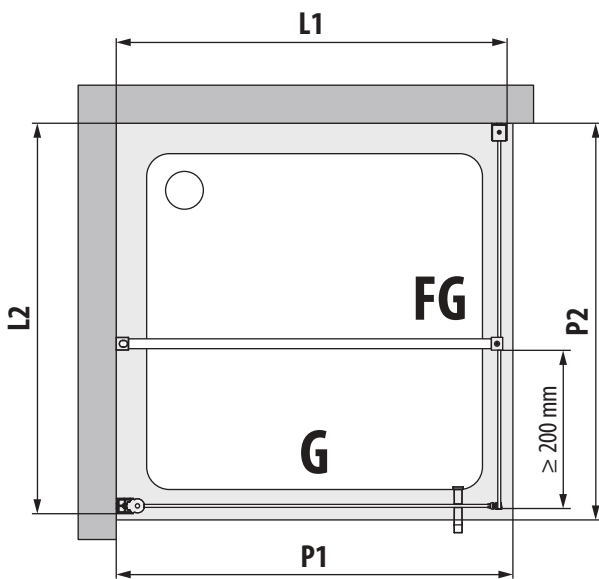


| G | P1 | L1 mm |
|-----|-----------|-----------|
| 57 | 580-600 | 570-590 |
| 59 | 600-620 | 590-610 |
| 61 | 620-640 | 610-630 |
| 65 | 660-680 | 650-670 |
| 67 | 680-700 | 670-690 |
| 69 | 700-720 | 690-710 |
| 72 | 730-750 | 720-740 |
| 74 | 750-770 | 740-760 |
| 76 | 770-790 | 760-780 |
| 77 | 780-800 | 770-790 |
| 79 | 800-820 | 790-810 |
| 81 | 820-840 | 810-830 |
| 85 | 860-880 | 850-870 |
| 87 | 880-900 | 870-890 |
| 89 | 900-920 | 890-910 |
| 91 | 920-940 | 910-930 |
| 93 | 940-960 | 930-950 |
| 95 | 960-980 | 950-970 |
| 97 | 980-1000 | 970-990 |
| 99 | 1000-1020 | 990-1010 |
| 101 | 1020-1040 | 1010-1030 |

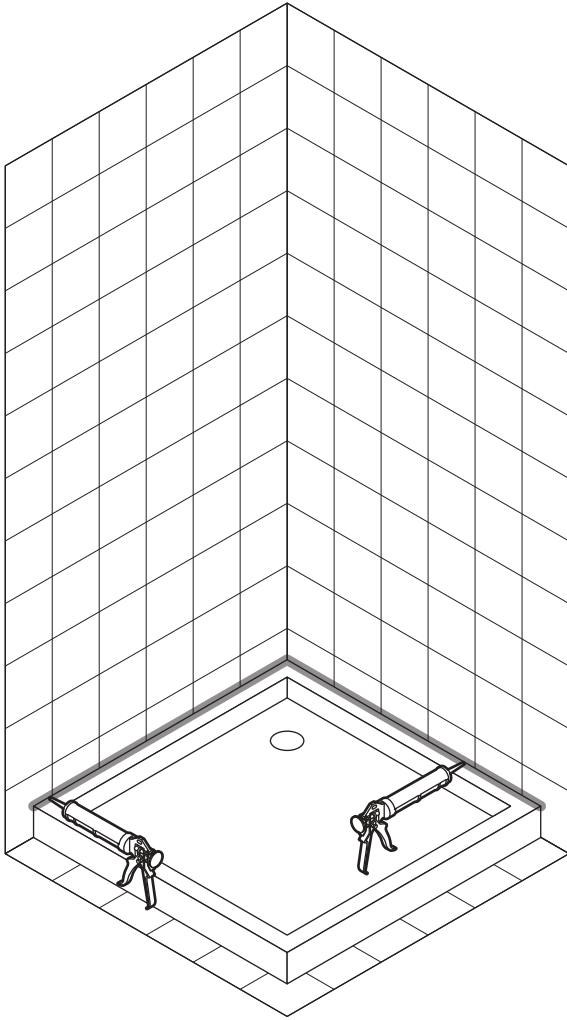
| FG | P2 | L2 mm |
|-----|-----------|-----------|
| 57 | 580-600 | 570-590 |
| 59 | 600-620 | 590-610 |
| 61 | 620-640 | 610-630 |
| 65 | 660-680 | 650-670 |
| 67 | 680-700 | 670-690 |
| 69 | 700-720 | 690-710 |
| 73 | 740-760 | 730-750 |
| 75 | 760-780 | 750-770 |
| 76 | 770-790 | 760-780 |
| 77 | 780-800 | 770-790 |
| 79 | 800-820 | 790-810 |
| 81 | 820-840 | 810-830 |
| 85 | 860-880 | 850-870 |
| 87 | 880-900 | 870-890 |
| 89 | 900-920 | 890-910 |
| 91 | 920-940 | 910-930 |
| 95 | 960-980 | 950-970 |
| 97 | 980-1000 | 970-990 |
| 99 | 1000-20 | 990-1010 |
| 101 | 1020-1040 | 1010-1030 |
| 117 | 1180-1200 | 1170-1190 |
| 119 | 1200-1220 | 1190-1210 |

| G | V1 | L1 mm |
|-----|----------|-----------|
| 57 | 557-577 | 570-590 |
| 59 | 577-597 | 590-610 |
| 61 | 597-617 | 610-630 |
| 65 | 637-657 | 650-670 |
| 67 | 657-677 | 670-690 |
| 69 | 677-697 | 690-710 |
| 72 | 707-727 | 720-740 |
| 74 | 727-747 | 740-760 |
| 76 | 747-767 | 760-780 |
| 77 | 757-777 | 770-790 |
| 79 | 777-797 | 790-810 |
| 81 | 797-817 | 810-830 |
| 85 | 837-857 | 850-870 |
| 87 | 857-877 | 870-890 |
| 89 | 877-897 | 890-910 |
| 91 | 897-917 | 910-930 |
| 93 | 917-937 | 930-950 |
| 95 | 937-957 | 950-970 |
| 97 | 957-977 | 970-990 |
| 99 | 977-997 | 990-1010 |
| 101 | 997-1017 | 1010-1030 |

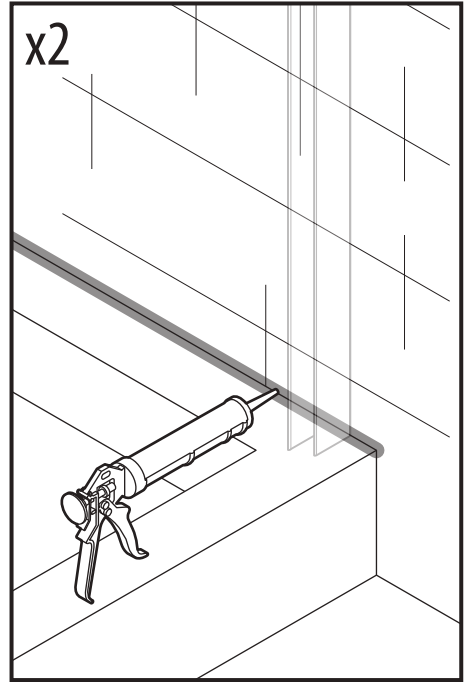
| FG | V2 | L2 mm |
|-----|-----------|-----------|
| 57 | 557-577 | 570-590 |
| 59 | 577-597 | 590-610 |
| 61 | 597-617 | 610-630 |
| 65 | 637-657 | 650-670 |
| 67 | 657-677 | 670-690 |
| 69 | 677-697 | 690-710 |
| 73 | 717-737 | 730-750 |
| 75 | 737-757 | 750-770 |
| 76 | 747-767 | 760-780 |
| 77 | 757-777 | 770-790 |
| 79 | 777-797 | 790-810 |
| 81 | 797-817 | 810-830 |
| 85 | 837-857 | 850-870 |
| 87 | 857-877 | 870-890 |
| 89 | 877-897 | 890-910 |
| 91 | 897-917 | 910-930 |
| 95 | 937-957 | 950-970 |
| 97 | 957-977 | 970-990 |
| 99 | 977-997 | 990-1010 |
| 101 | 997-1017 | 1010-1030 |
| 117 | 1157-1177 | 1170-1190 |
| 119 | 1177-1197 | 1190-1210 |



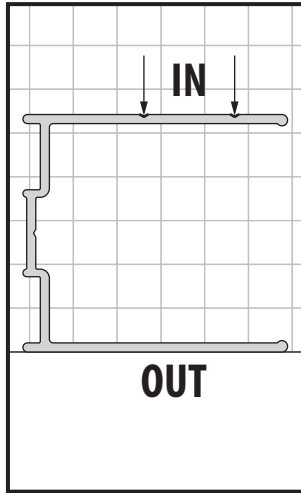
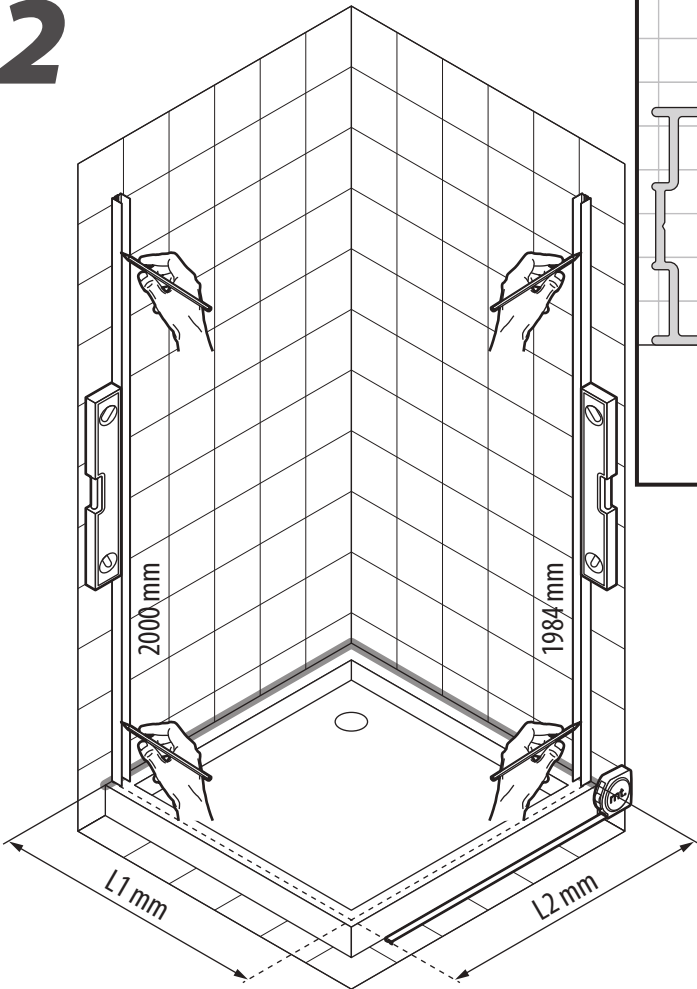
1



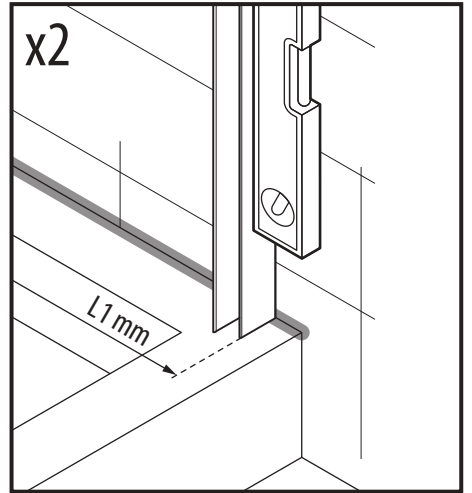
x2



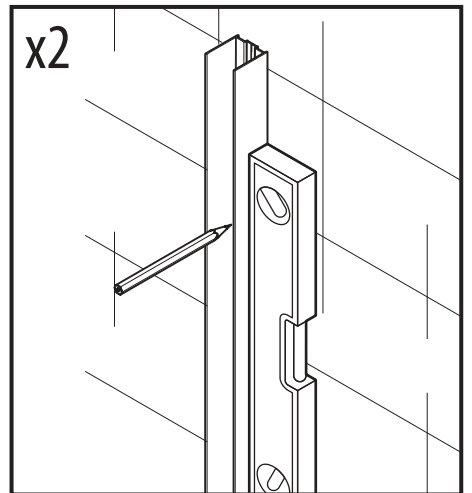
2



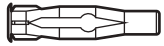
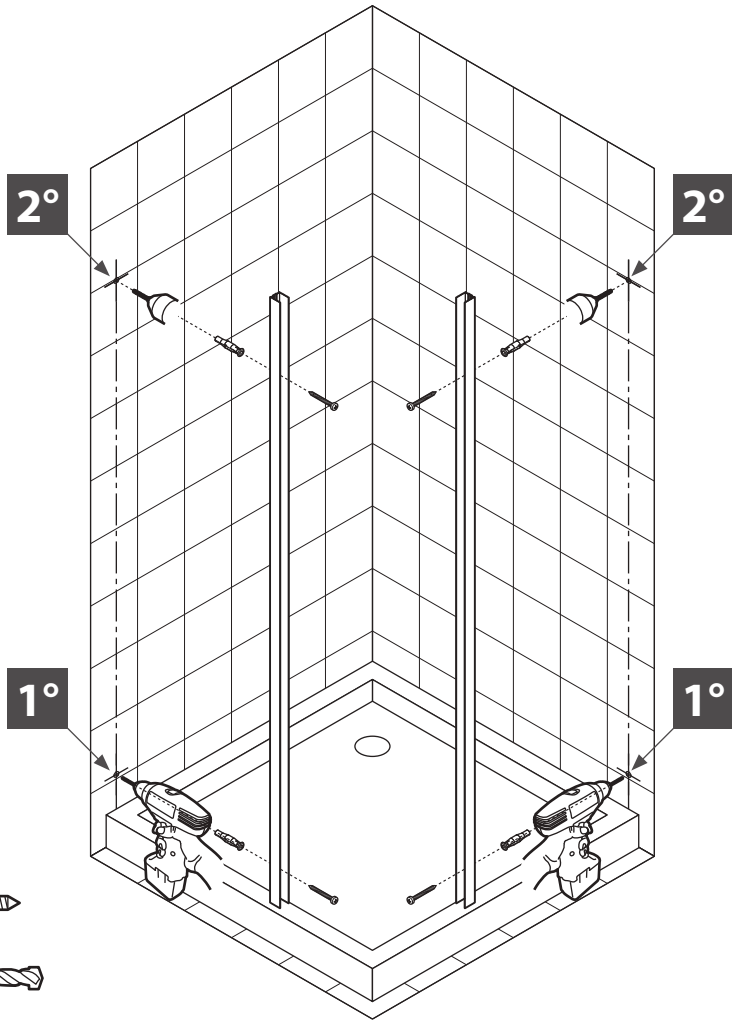
x2



x2



3



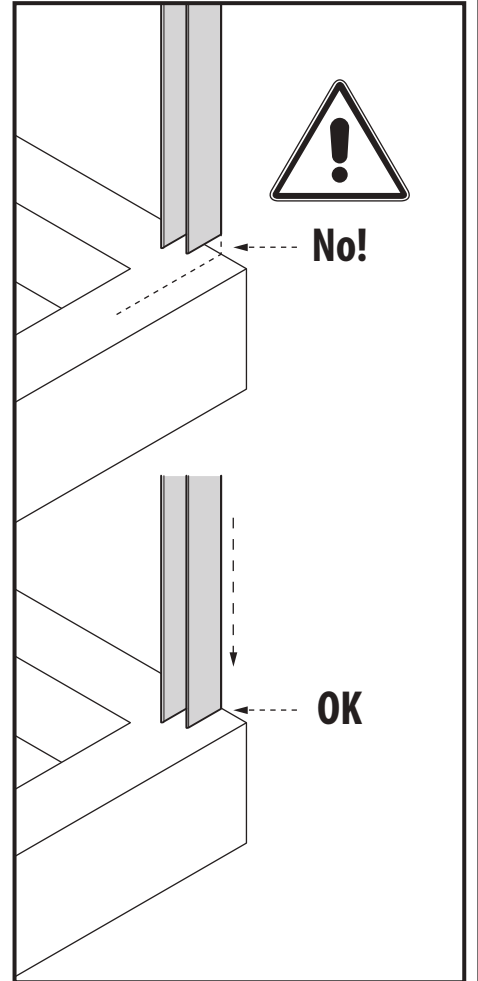
FU8x50 x4



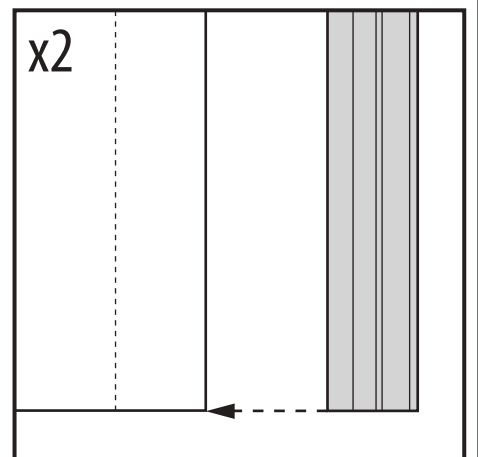
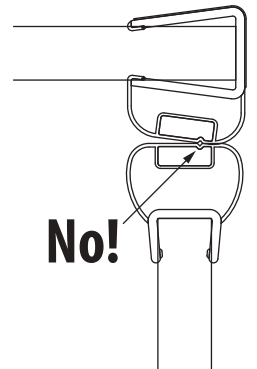
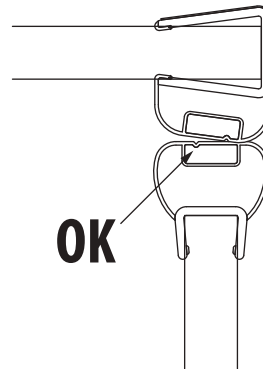
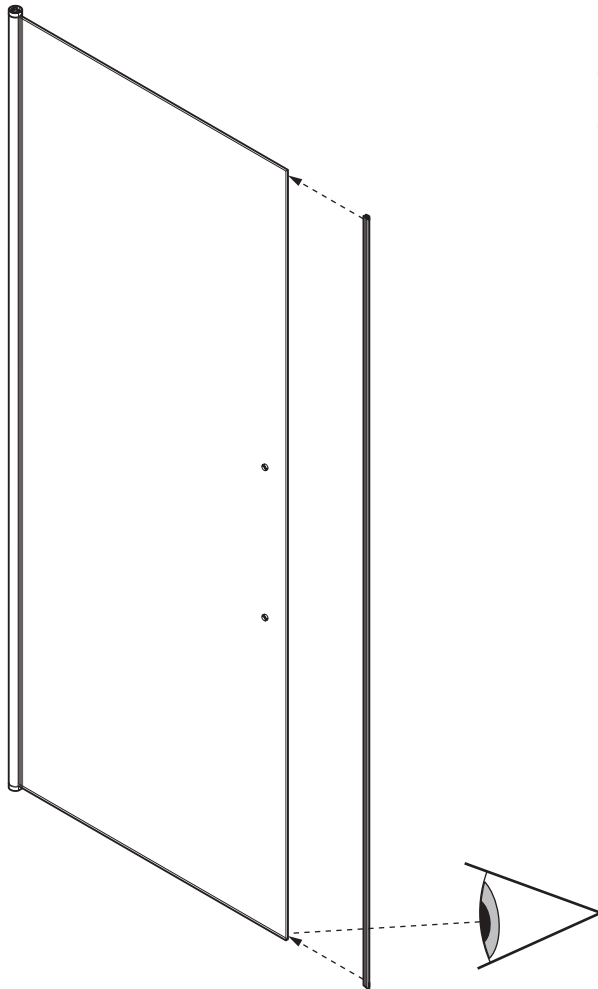
4,5x60 x4



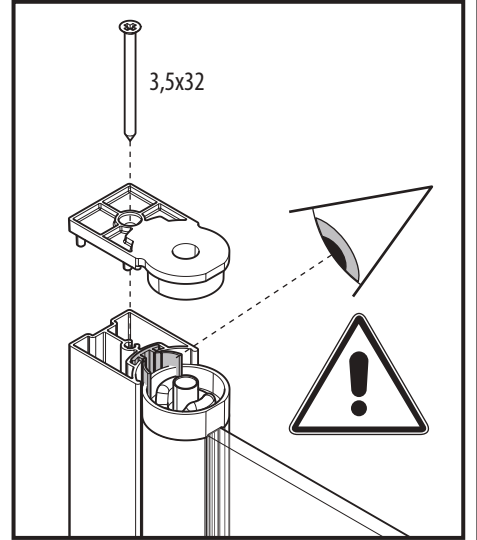
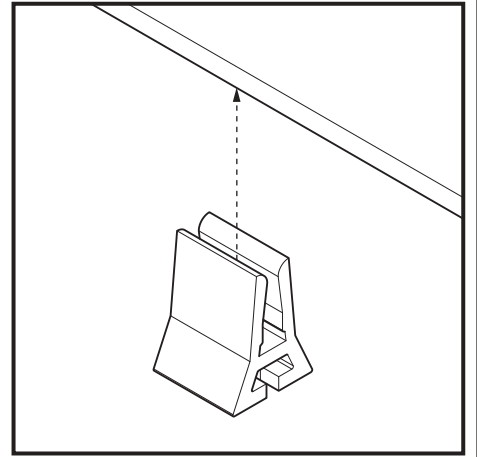
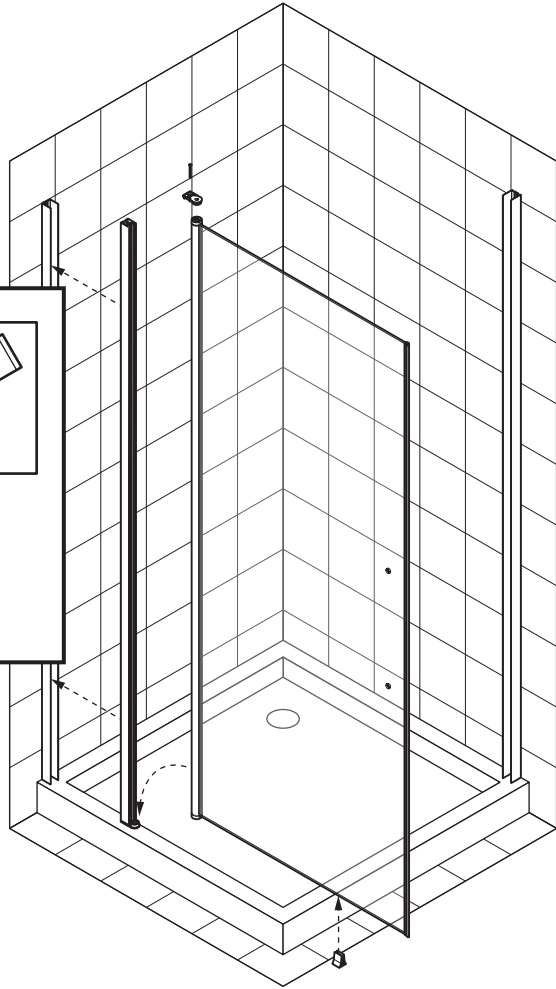
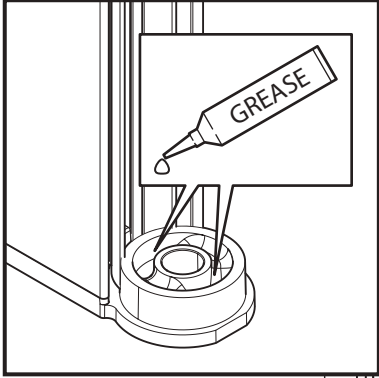
ø8 mm



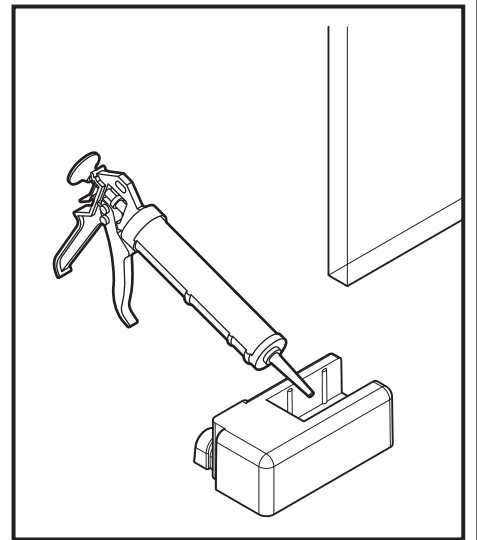
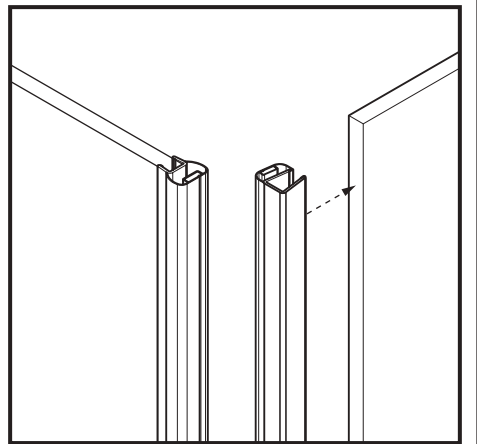
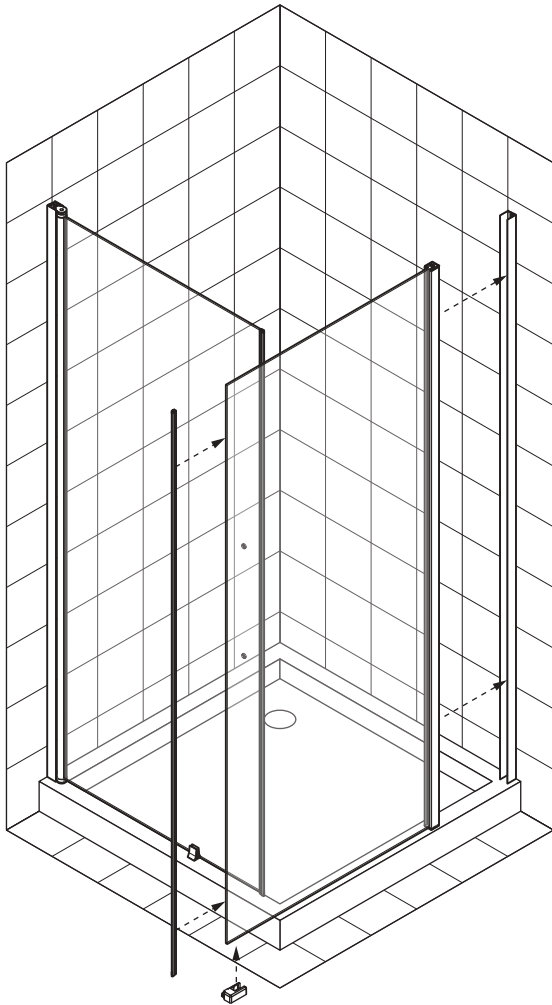
4



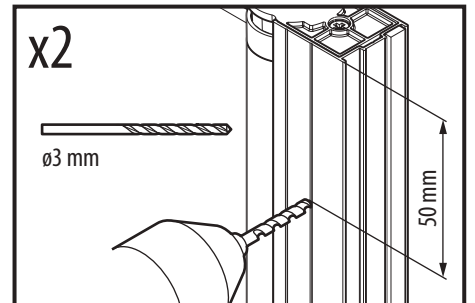
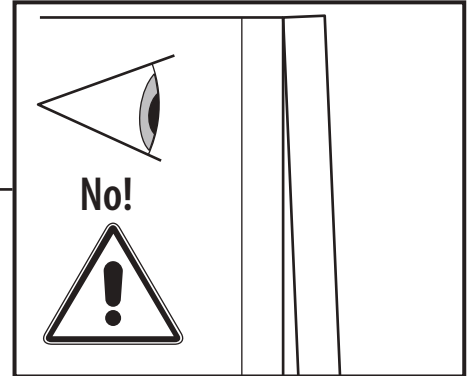
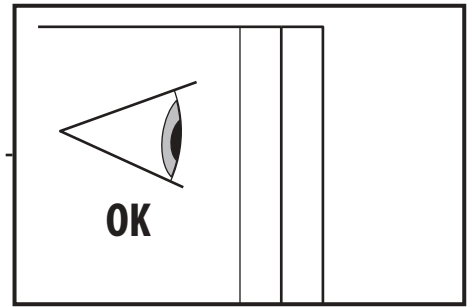
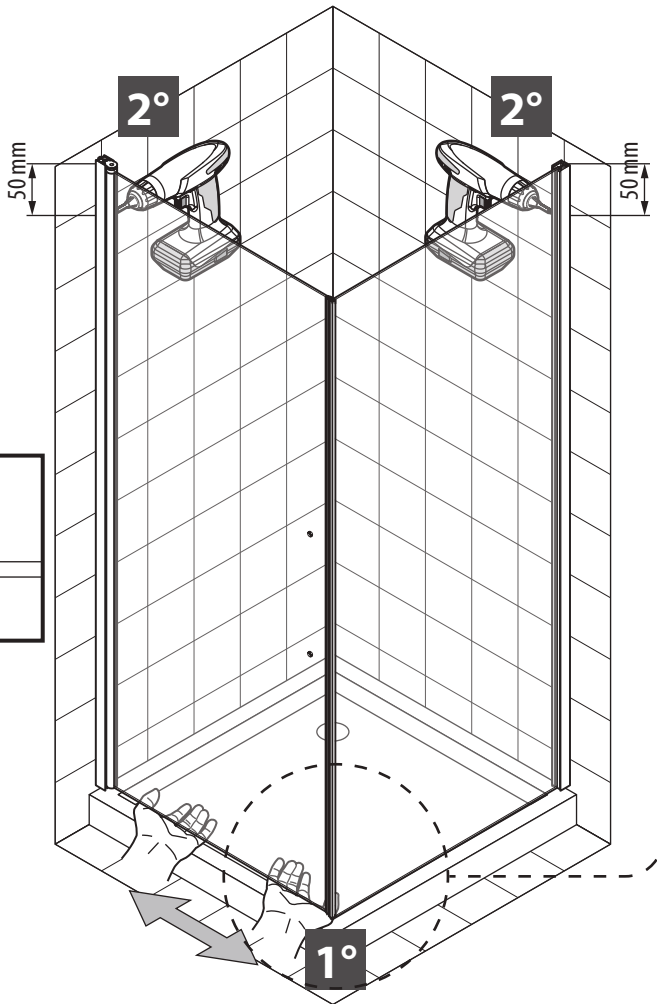
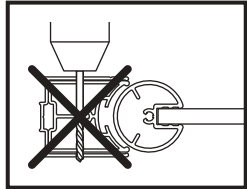
5



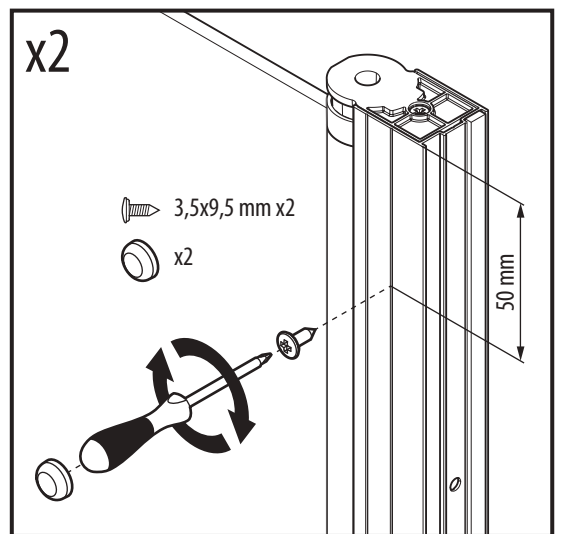
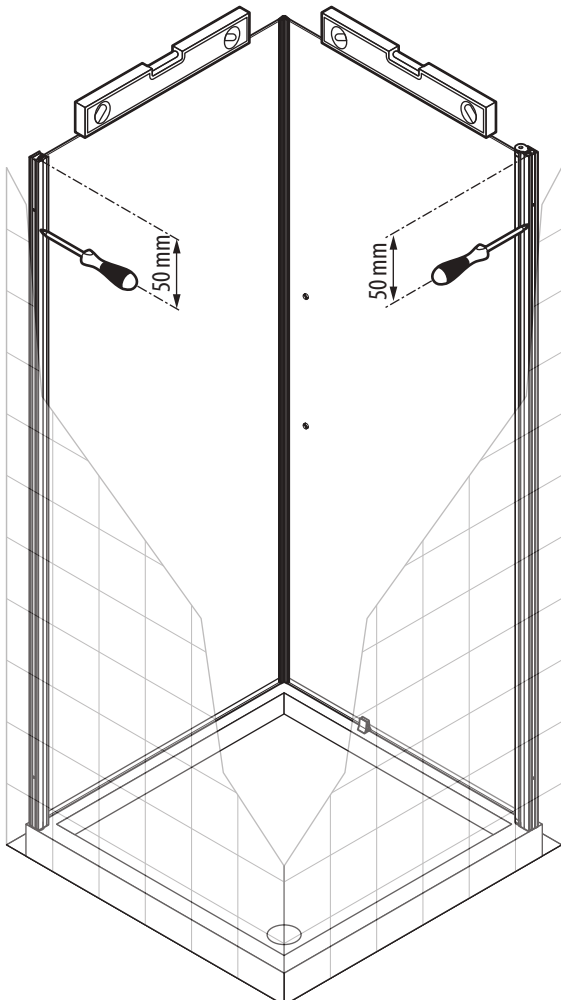
6



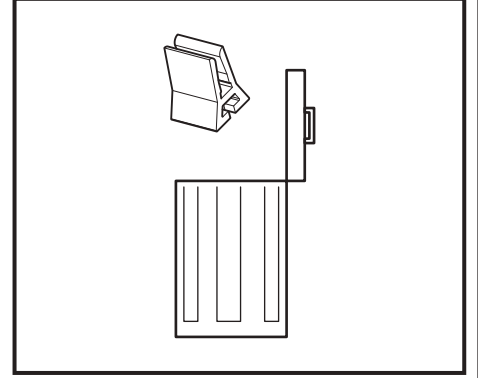
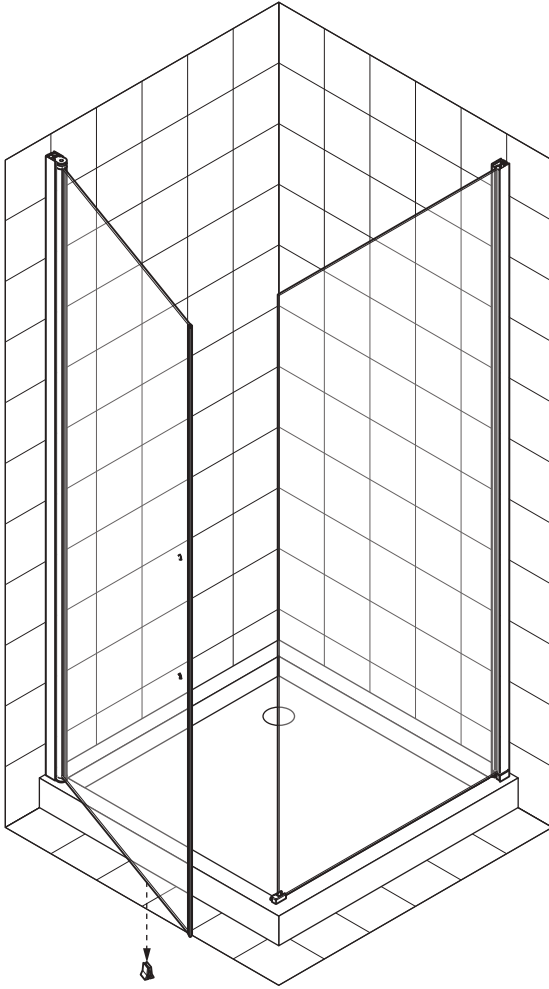
7



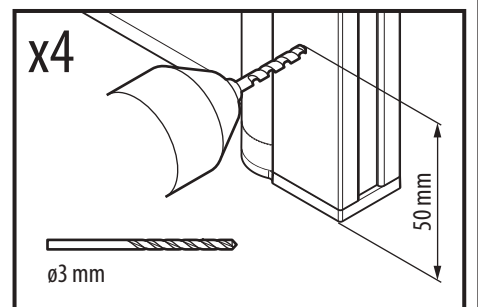
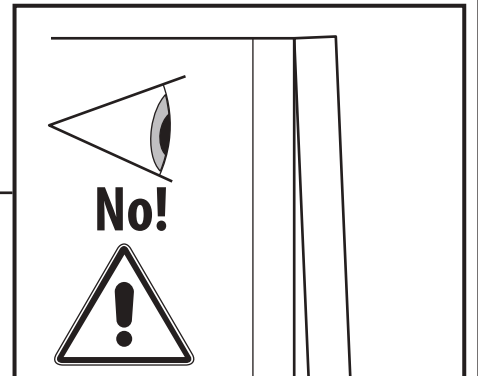
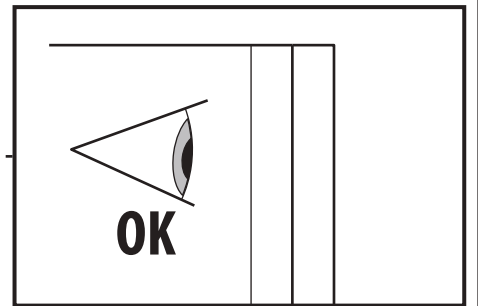
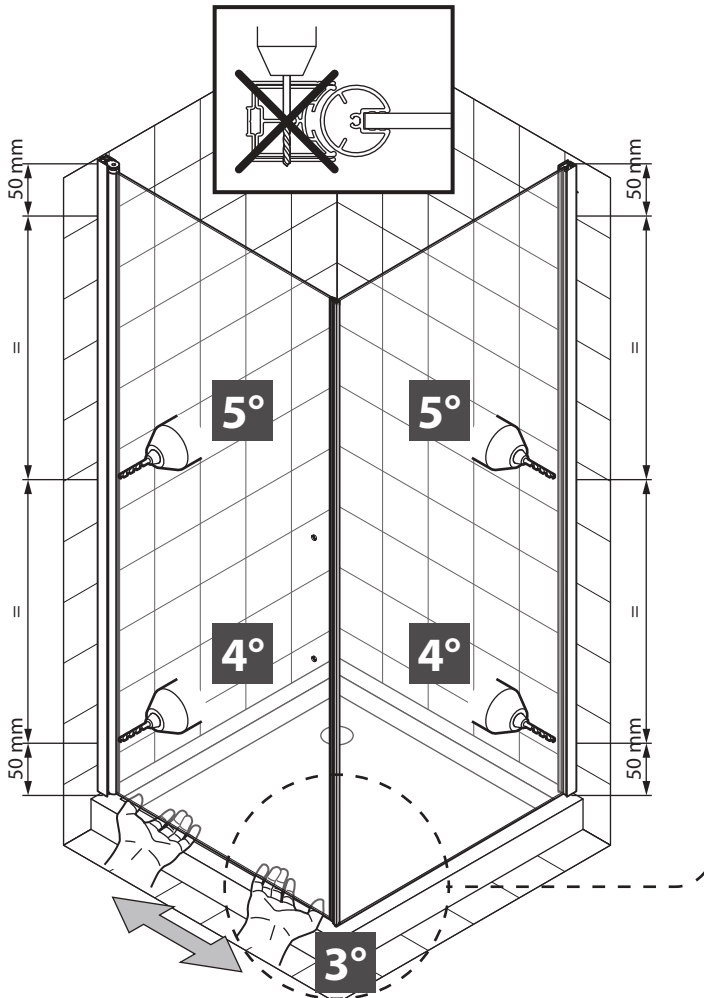
8



9

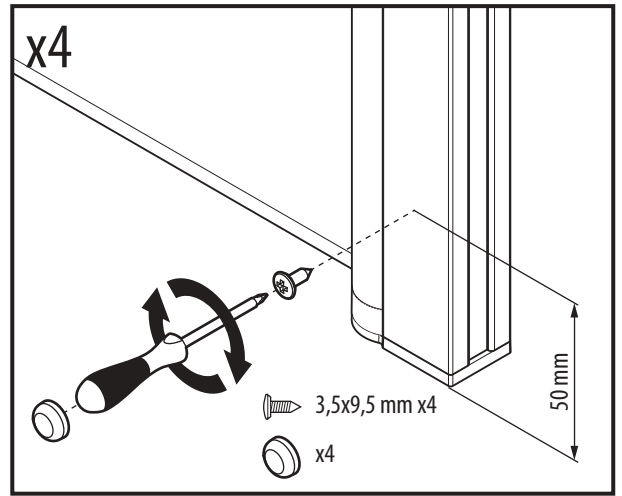
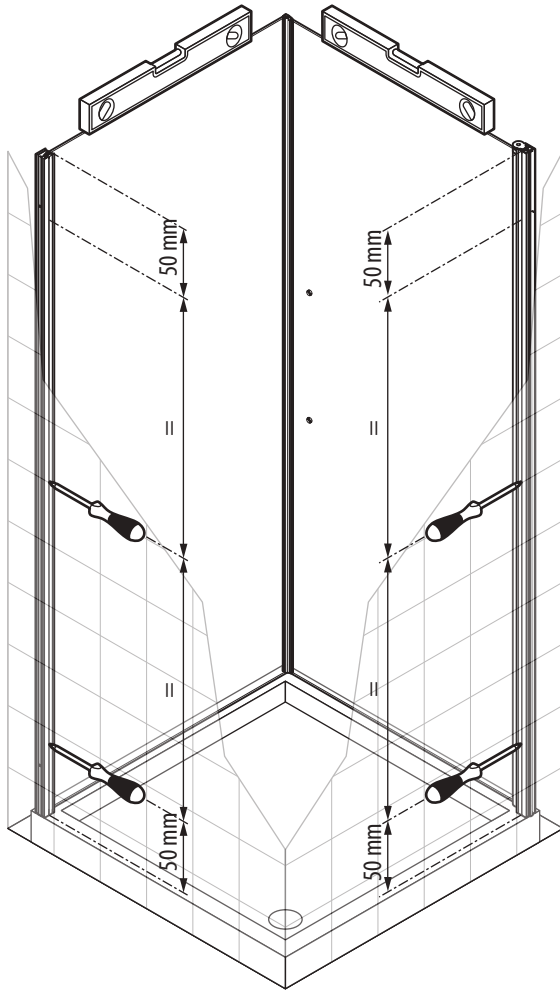


10

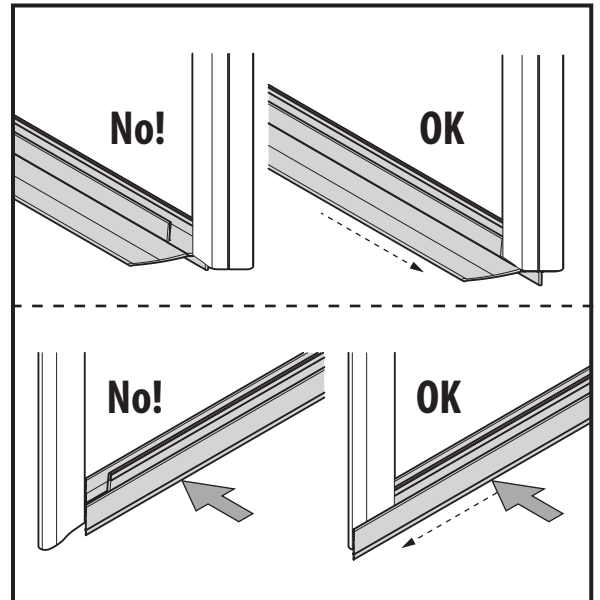
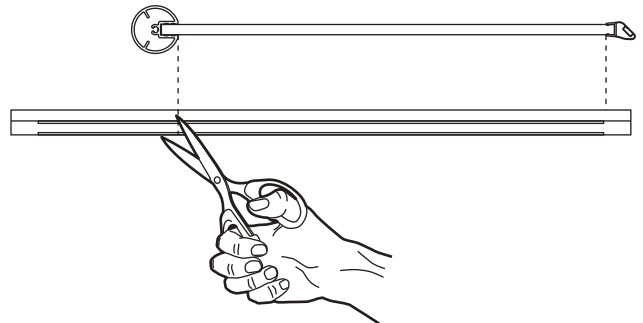
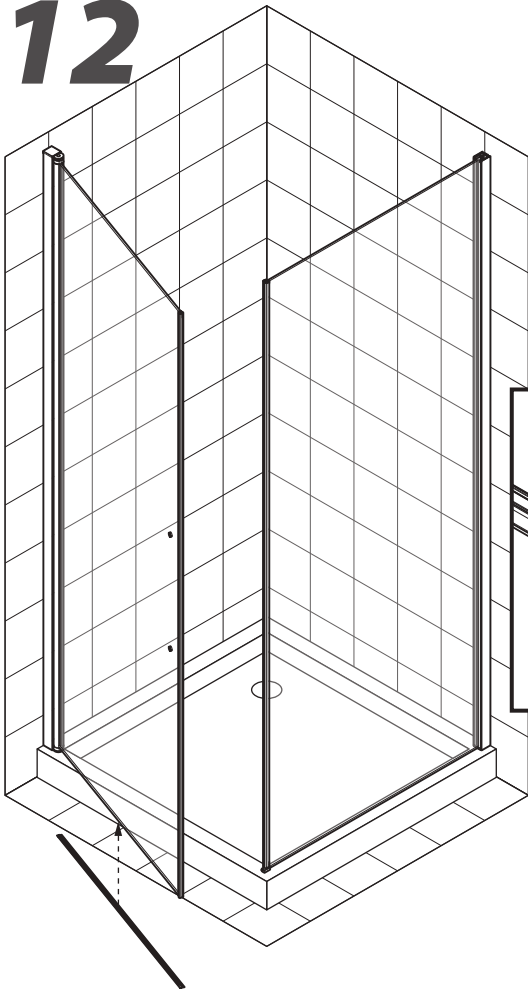


9

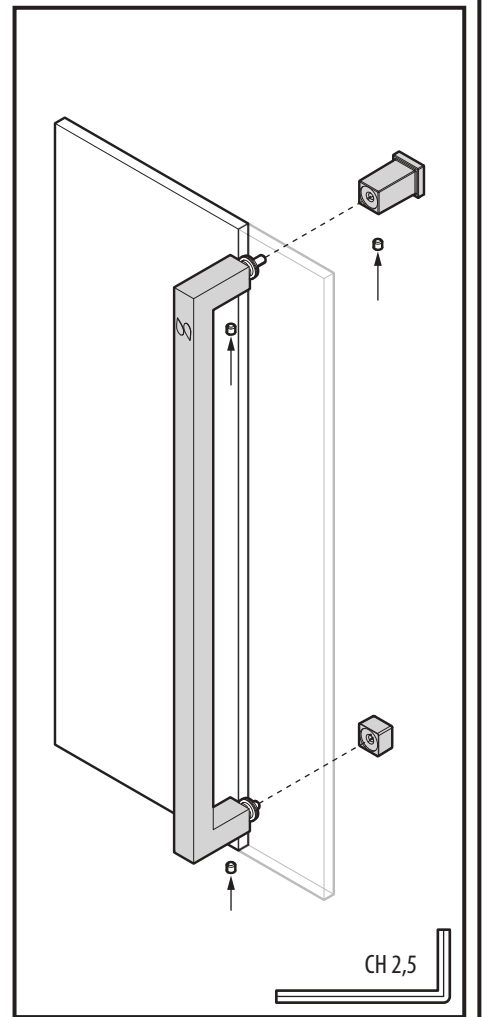
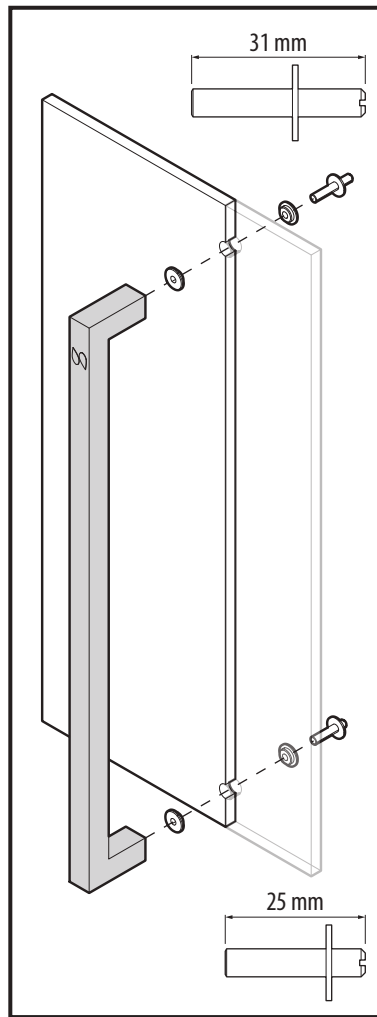
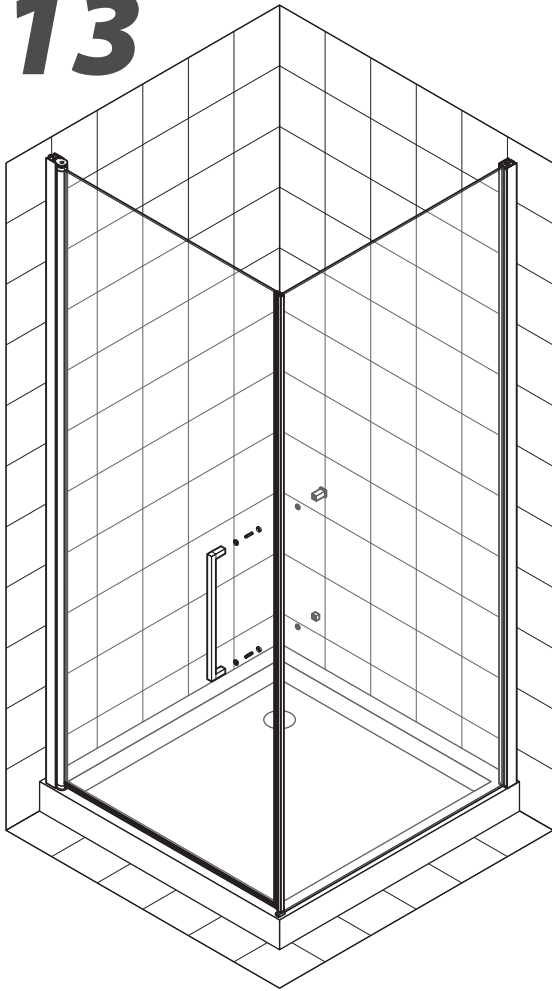
11



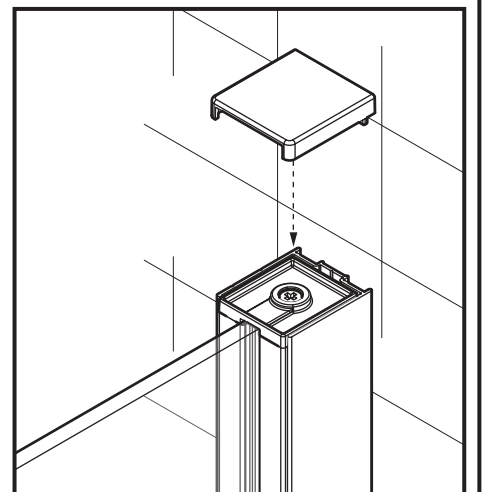
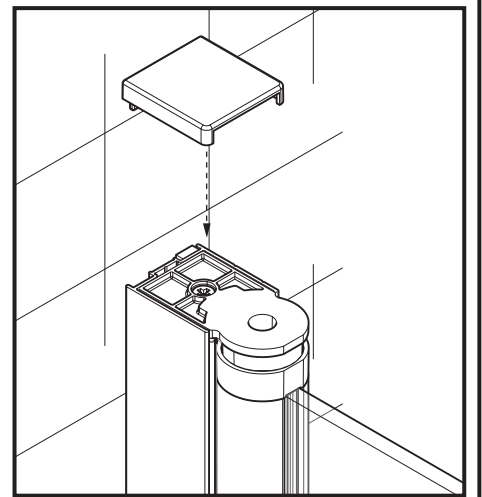
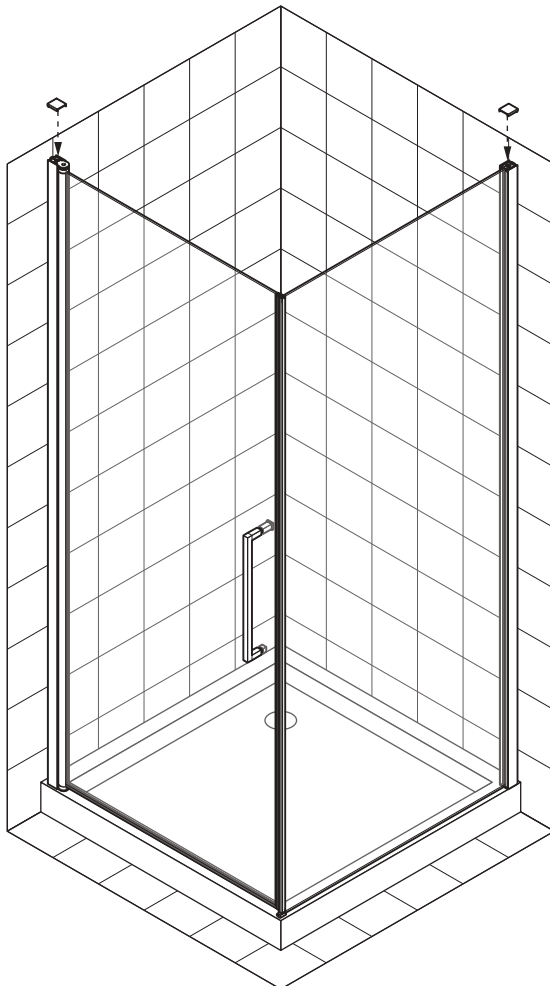
12



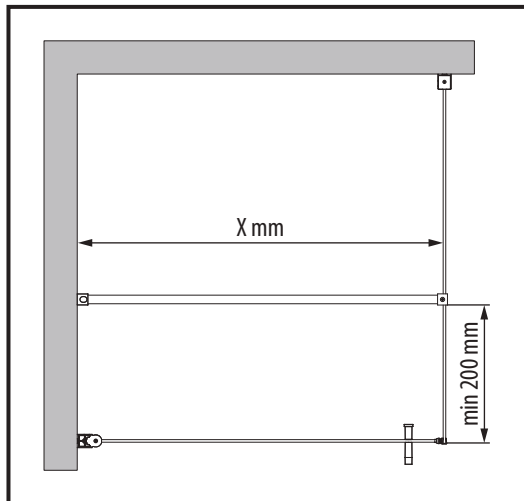
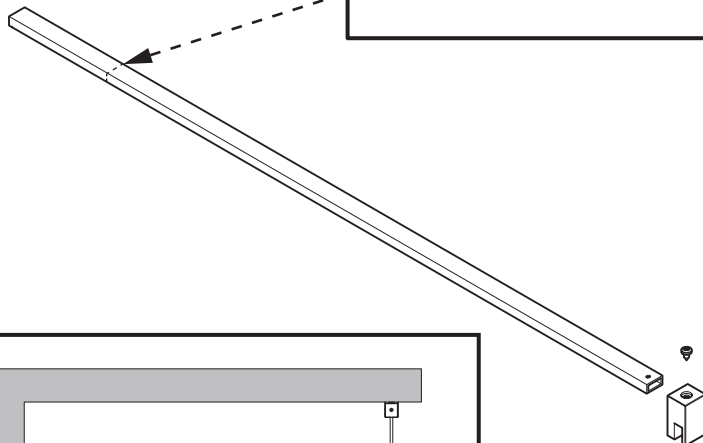
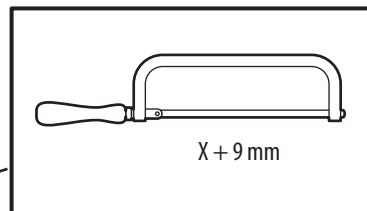
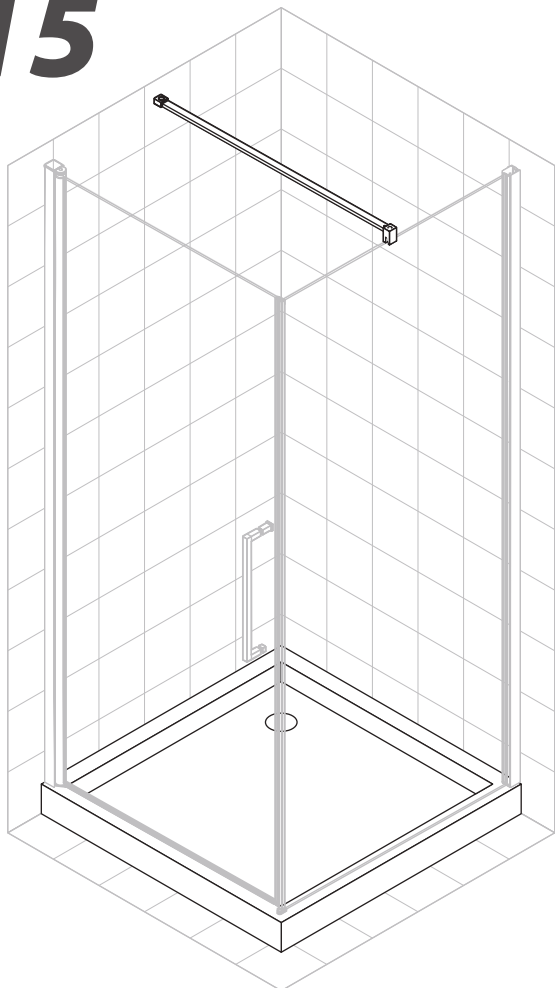
13



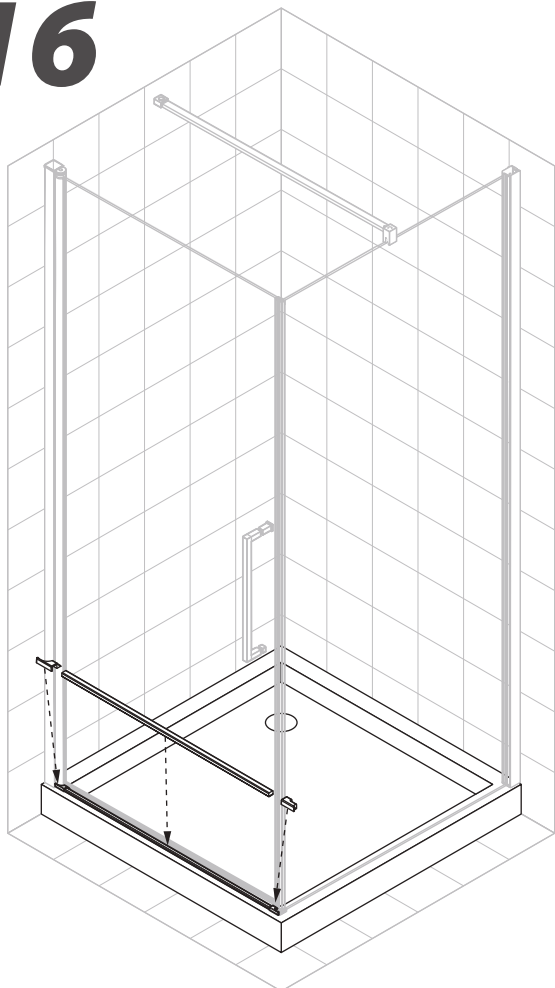
14



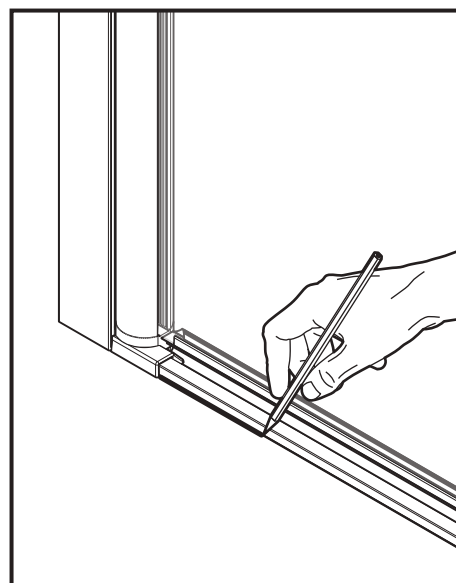
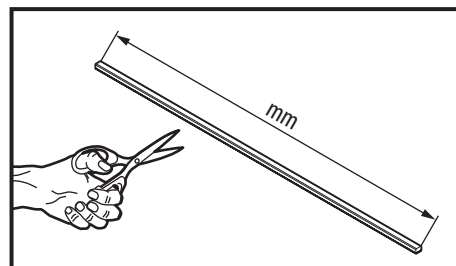
15



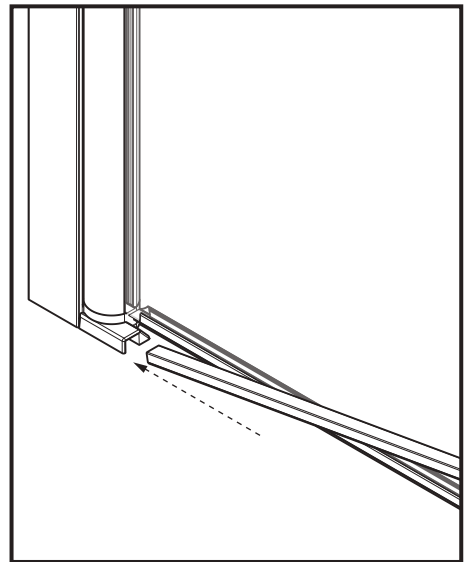
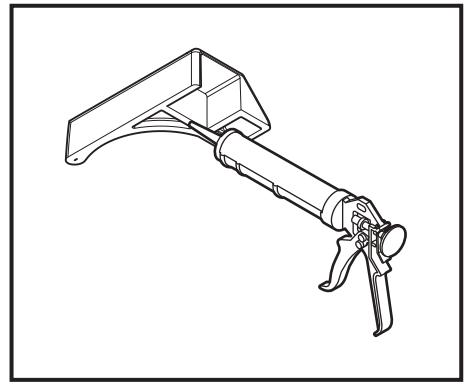
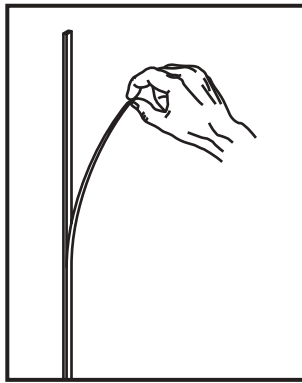
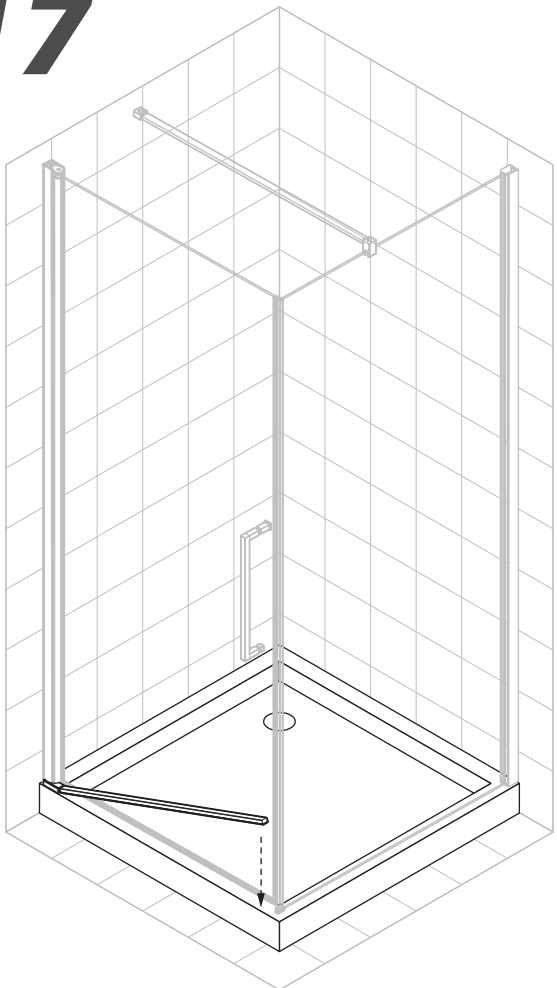
16



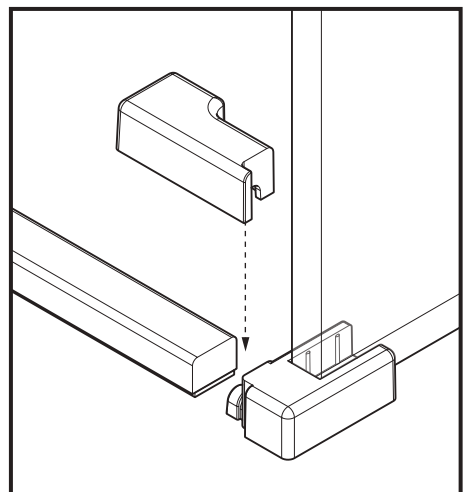
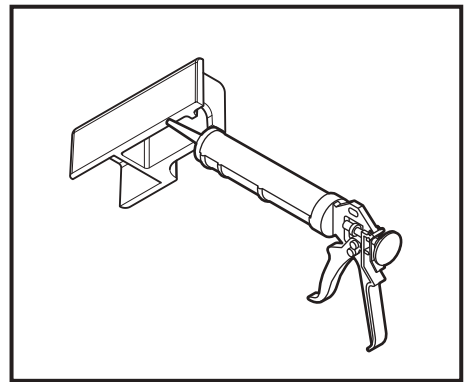
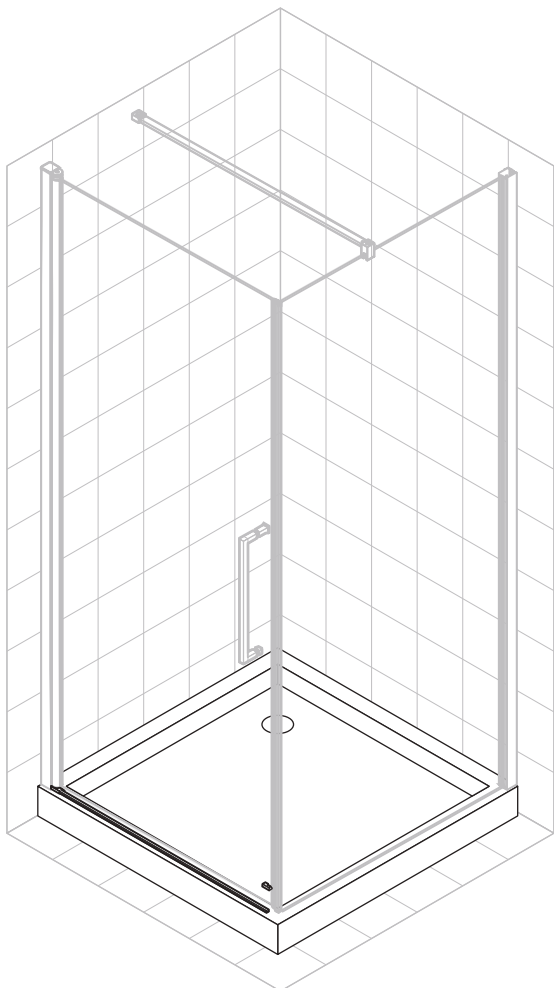
| mod. G | mm |
|---------|-----|
| 57-59 | 472 |
| 59-61 | 492 |
| 61-63 | 512 |
| 65-67 | 552 |
| 67-69 | 572 |
| 69-71 | 592 |
| 72-74 | 622 |
| 74-76 | 642 |
| 76-78 | 662 |
| 77-79 | 672 |
| 79-81 | 692 |
| 81-83 | 712 |
| 85-87 | 752 |
| 87-89 | 772 |
| 89-91 | 792 |
| 91-93 | 812 |
| 93-95 | 832 |
| 95-97 | 852 |
| 97-99 | 872 |
| 99-101 | 892 |
| 101-103 | 912 |



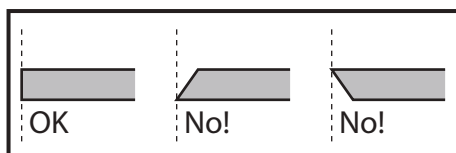
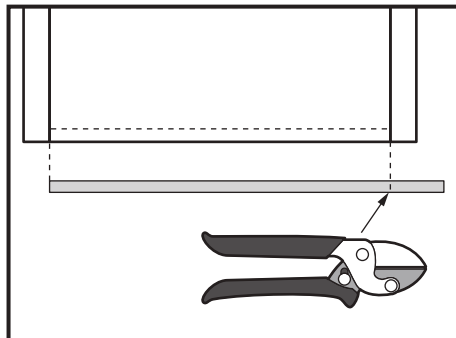
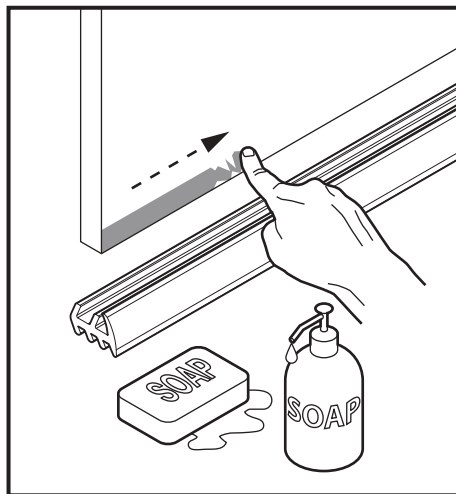
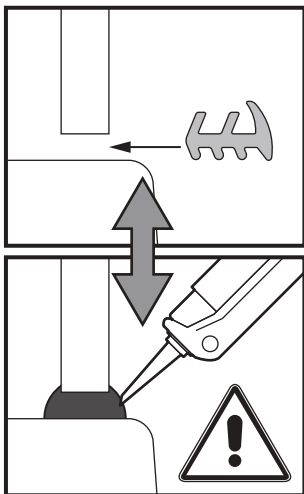
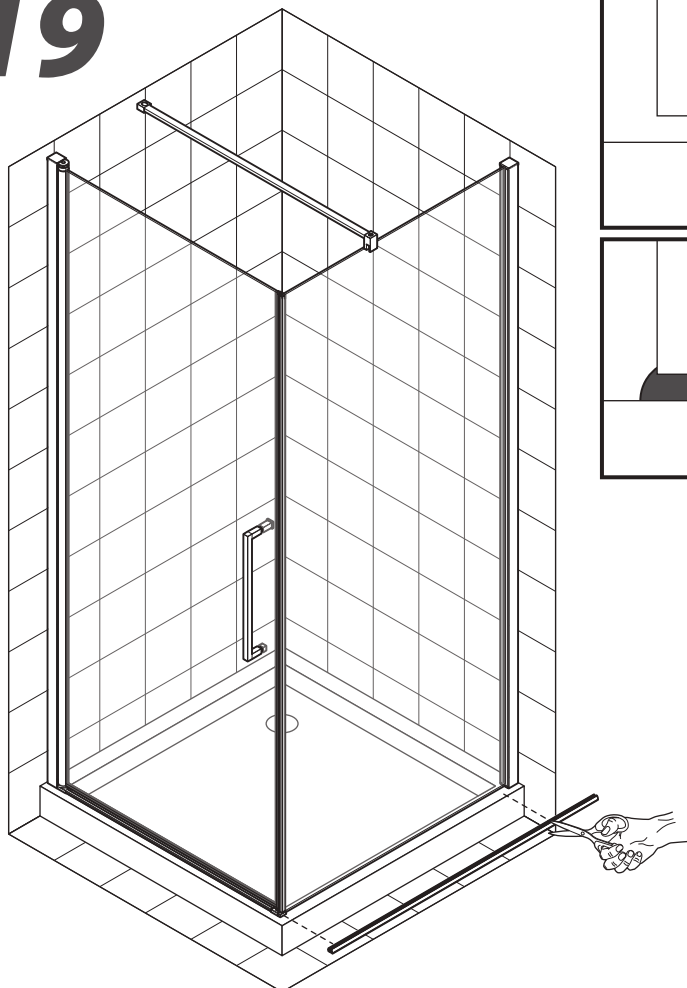
17



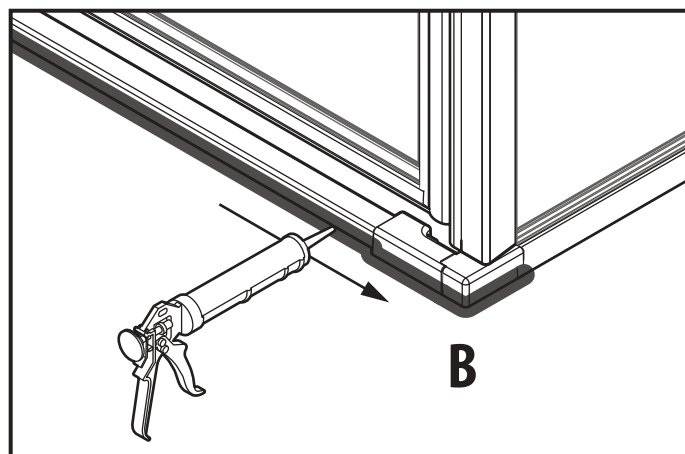
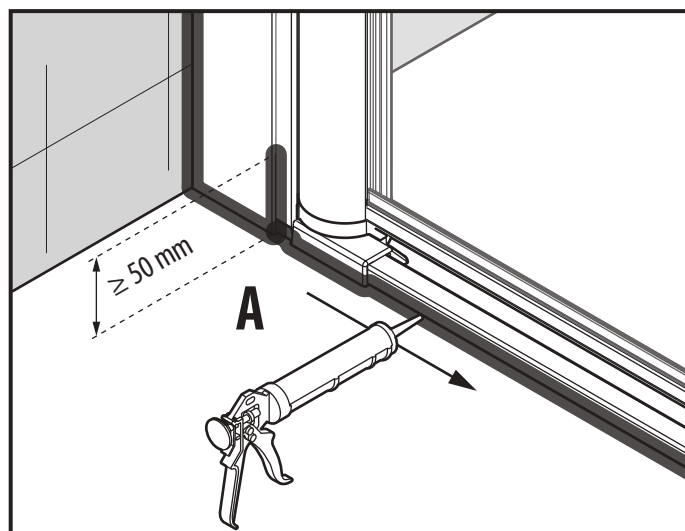
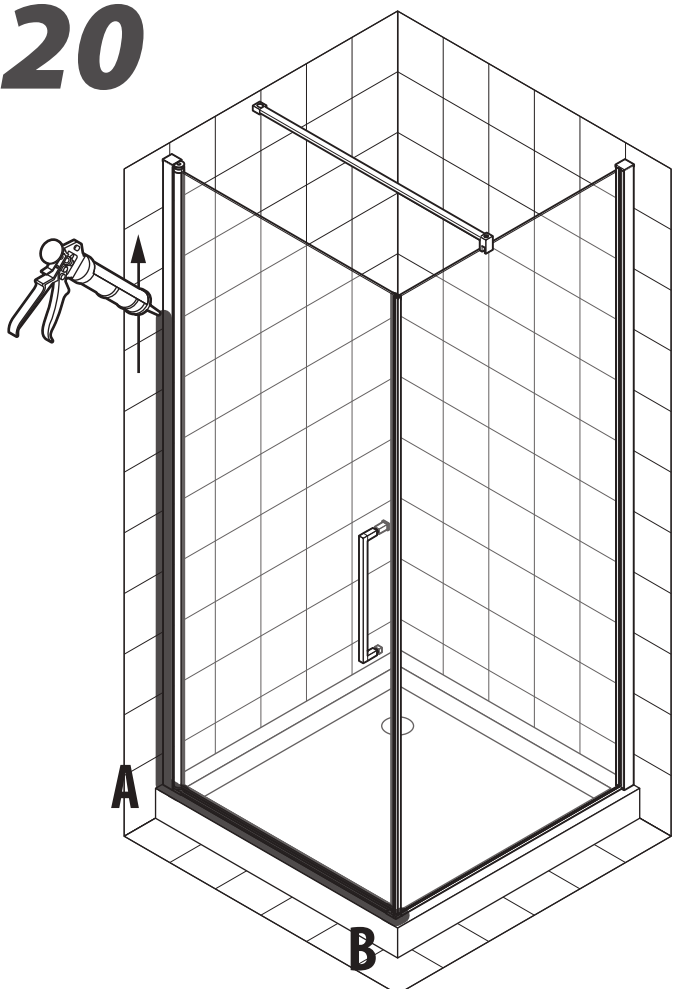
18



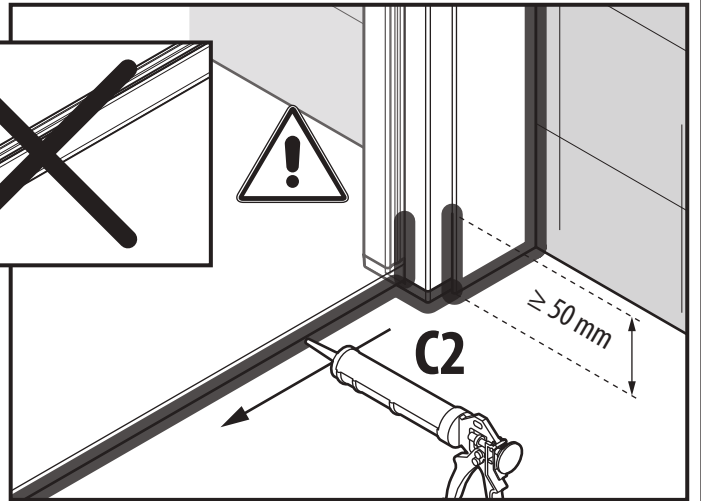
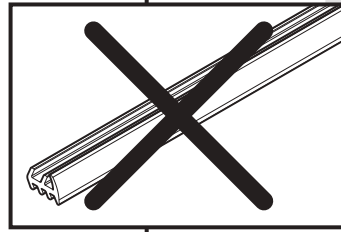
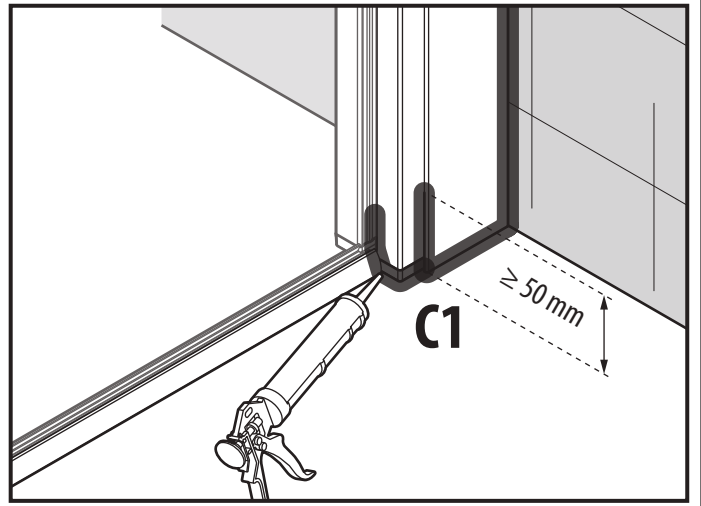
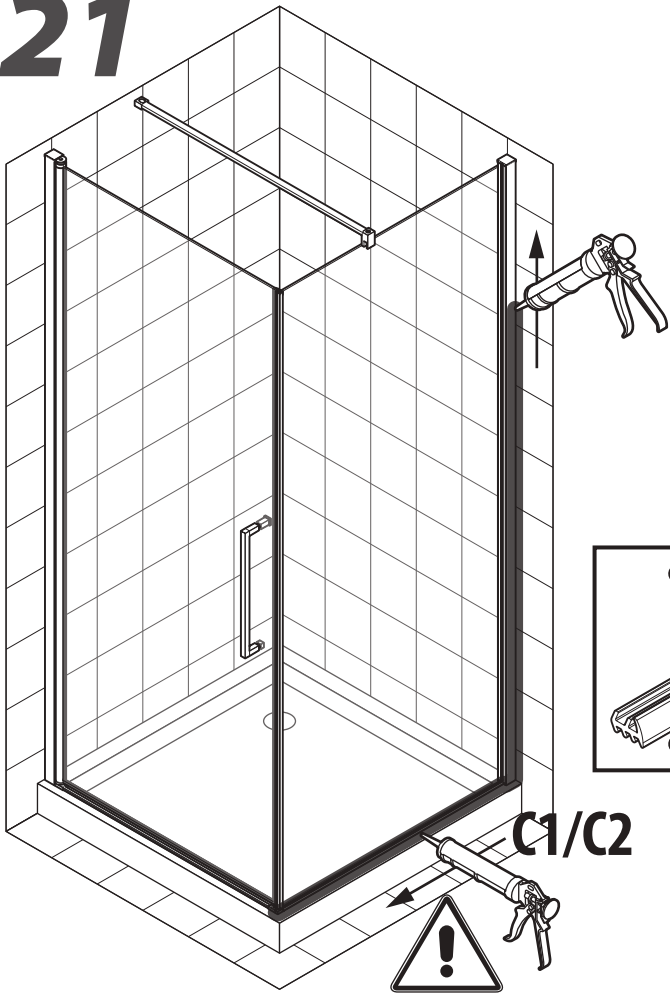
19



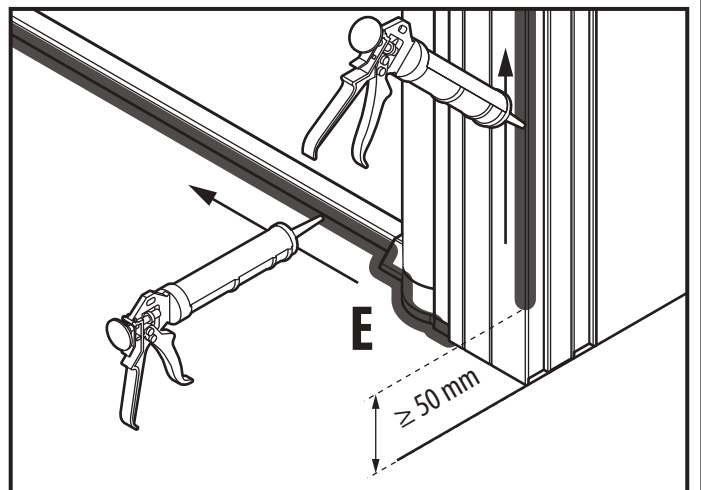
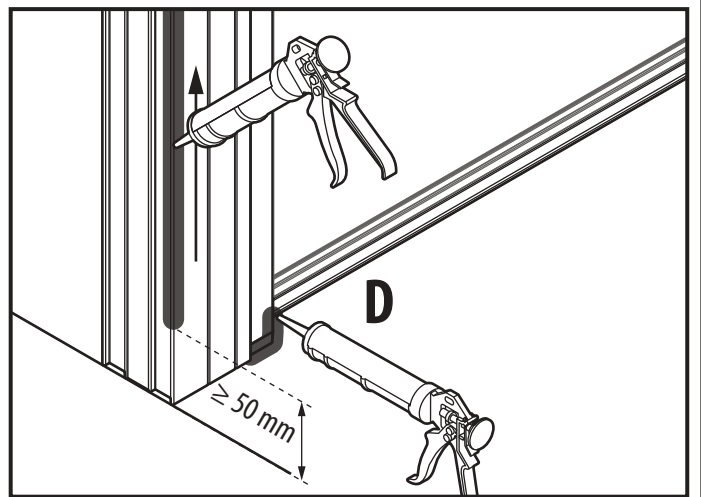
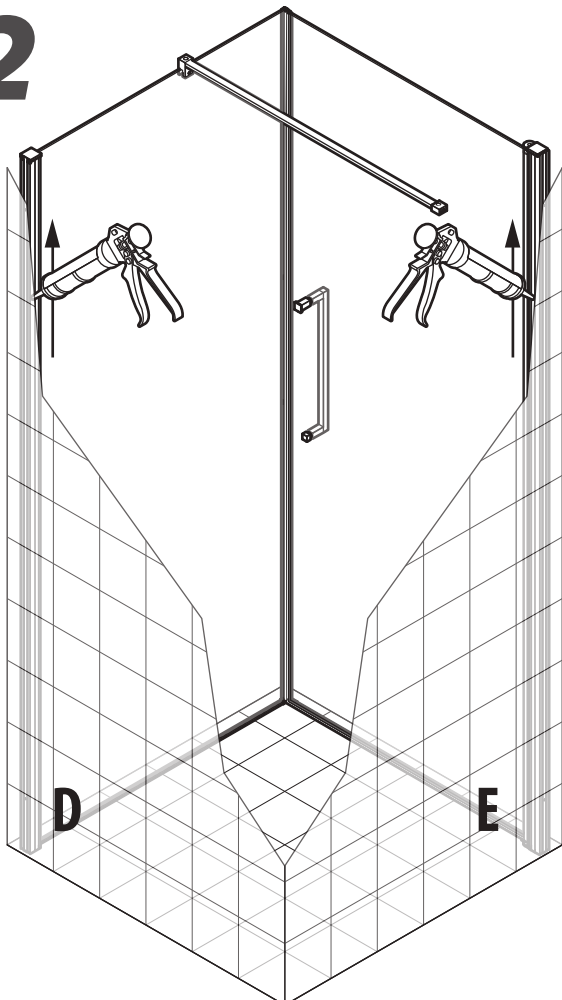
20

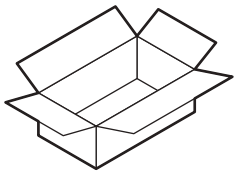
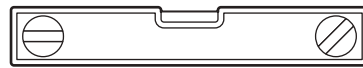
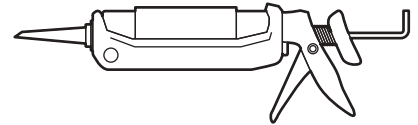
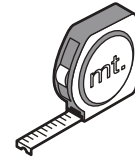
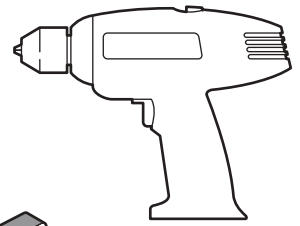
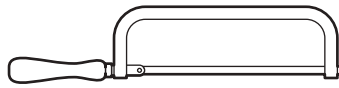
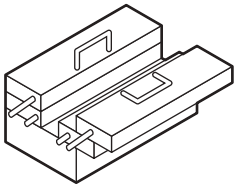


21



22





x1



x1



x1



x1



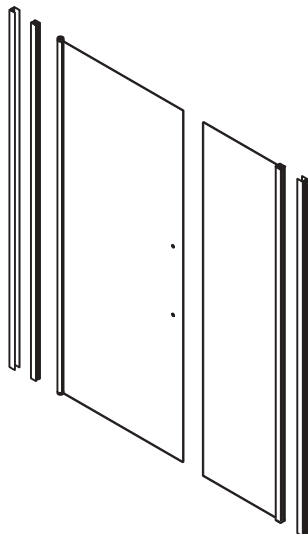
x1



x2



x1



FU8x50 x6



3,5x32 x1



3,5x9,5 x6



4,5x60 x6



x6



x1



x1



x1



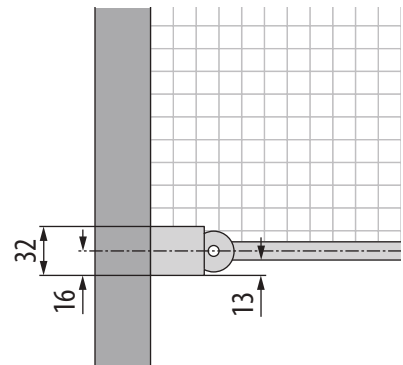
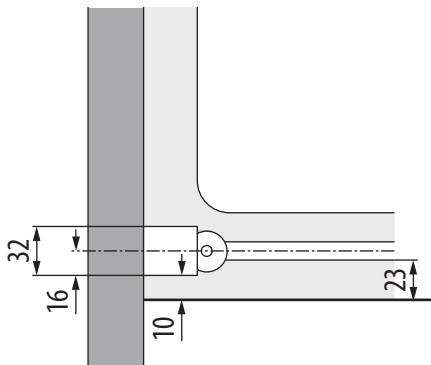
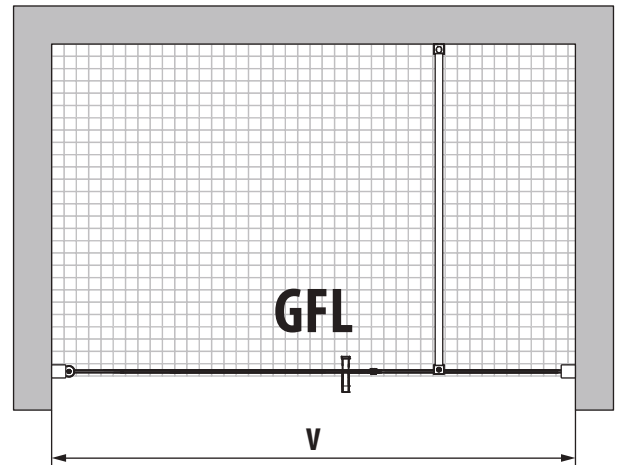
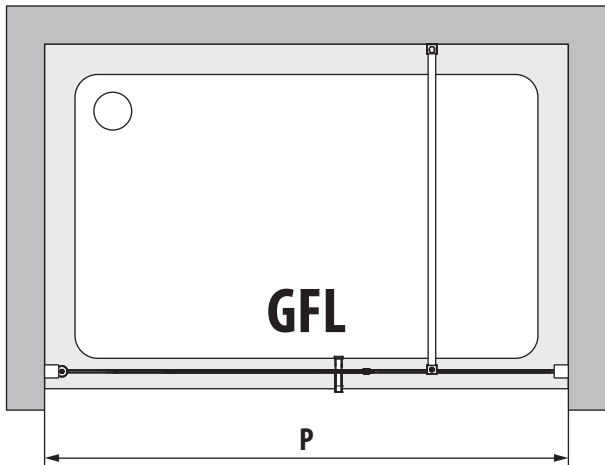
x1



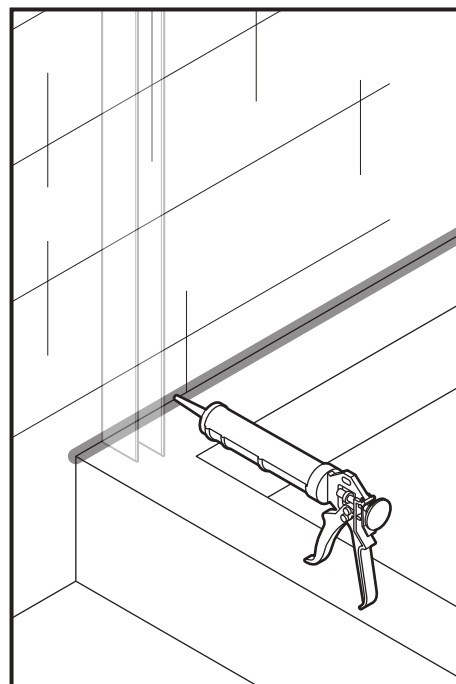
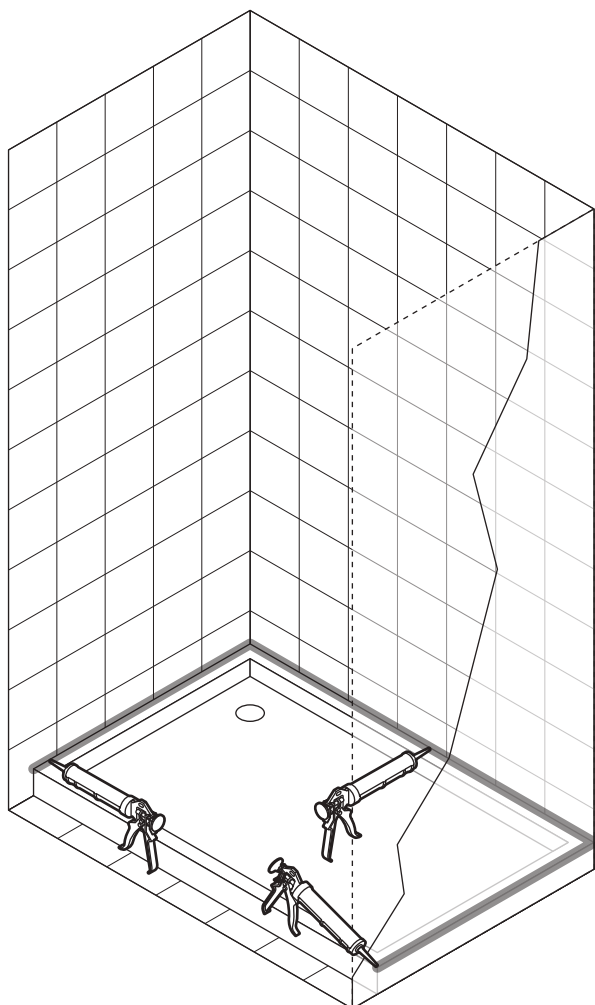
x1

| GFL | P mm |
|-----|-----------|
| 97 | 970-1010 |
| 107 | 1070-1110 |
| 114 | 1140-1180 |
| 117 | 1170-1210 |
| 134 | 1340-1380 |
| 137 | 1370-1410 |
| 147 | 1470-1510 |
| 154 | 1540-1580 |
| 157 | 1570-1610 |
| 164 | 1640-1680 |
| 167 | 1670-1710 |
| 177 | 1770-1810 |

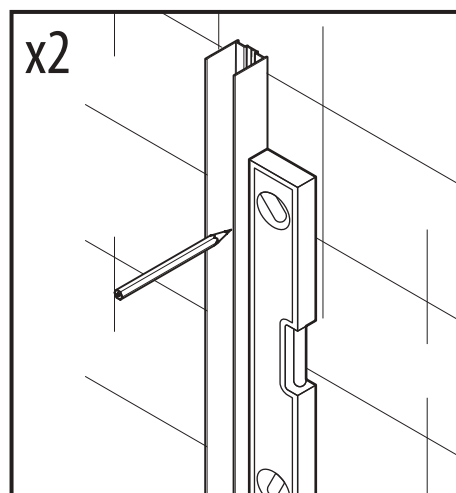
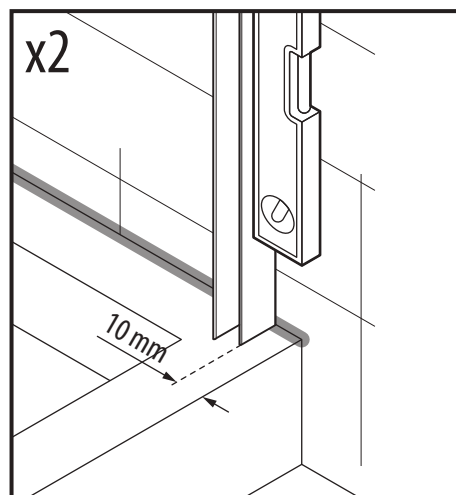
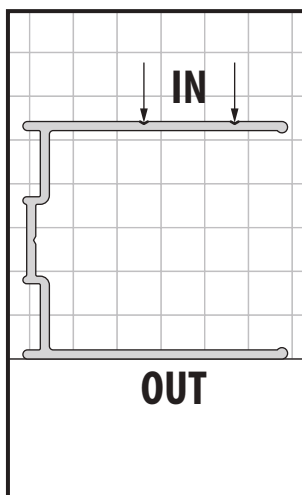
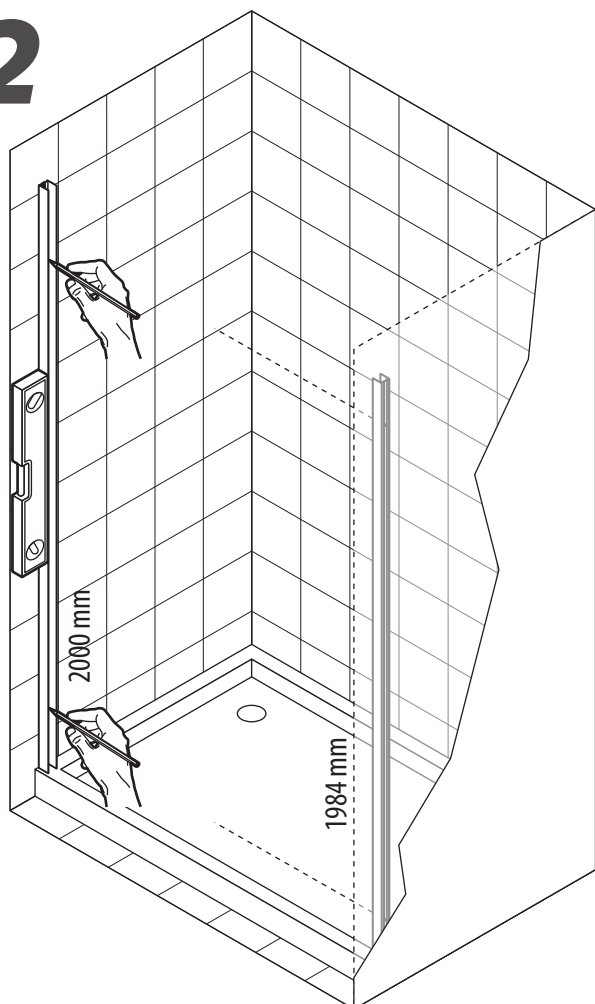
| GFL | V mm |
|-----|-----------|
| 97 | 970-1010 |
| 107 | 1070-1110 |
| 114 | 1140-1180 |
| 117 | 1170-1210 |
| 134 | 1340-1380 |
| 137 | 1370-1410 |
| 147 | 1470-1510 |
| 154 | 1540-1580 |
| 157 | 1570-1610 |
| 164 | 1640-1680 |
| 167 | 1670-1710 |
| 177 | 1770-1810 |



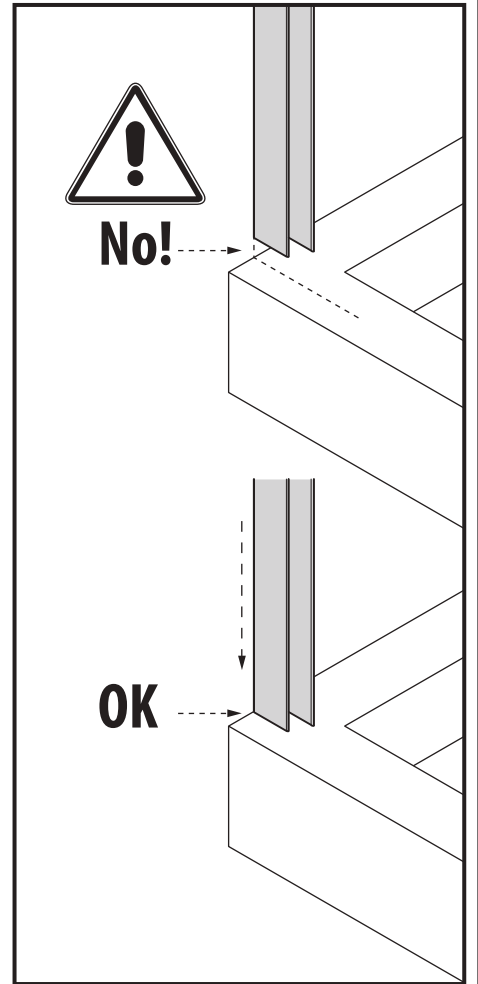
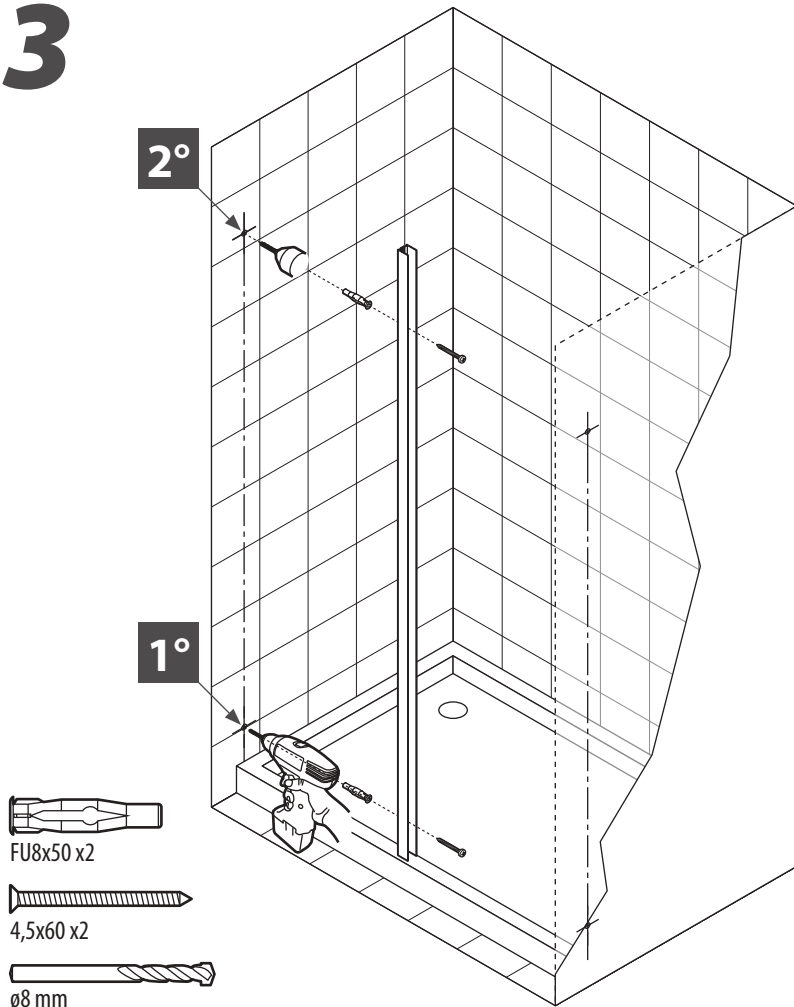
1



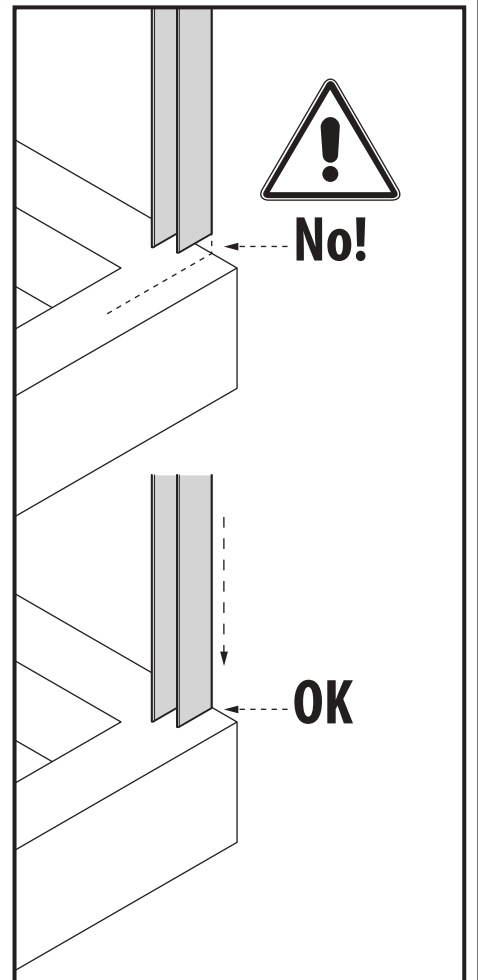
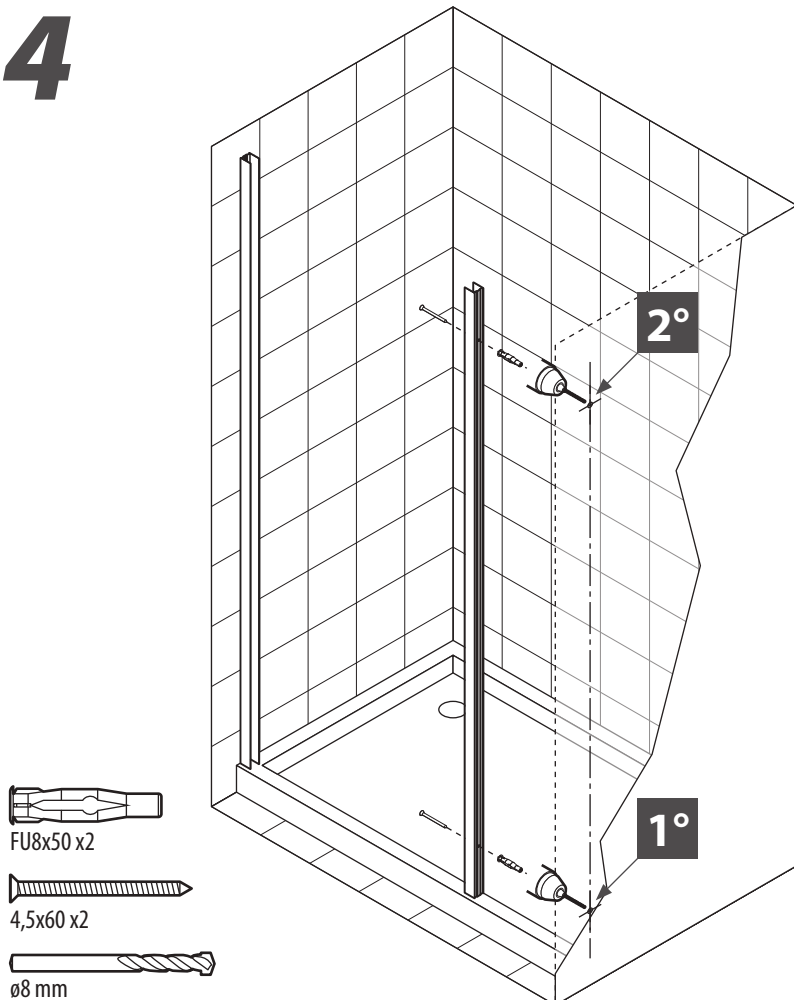
2



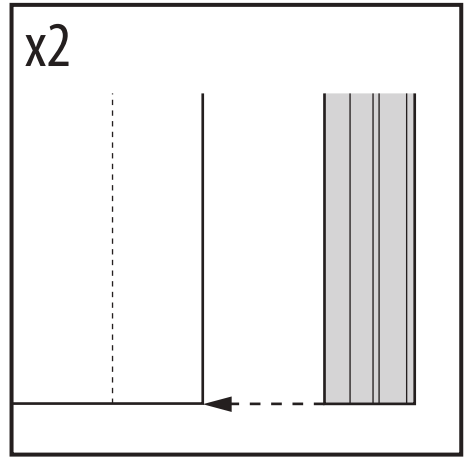
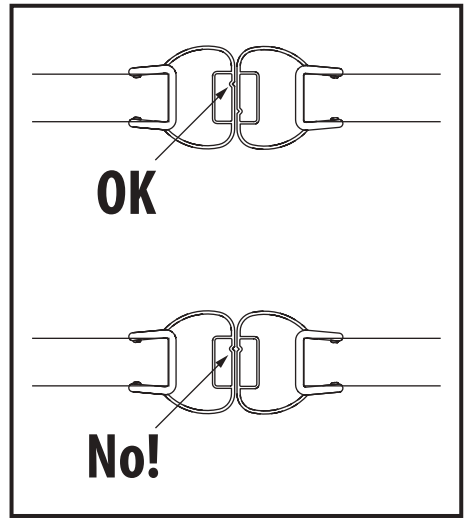
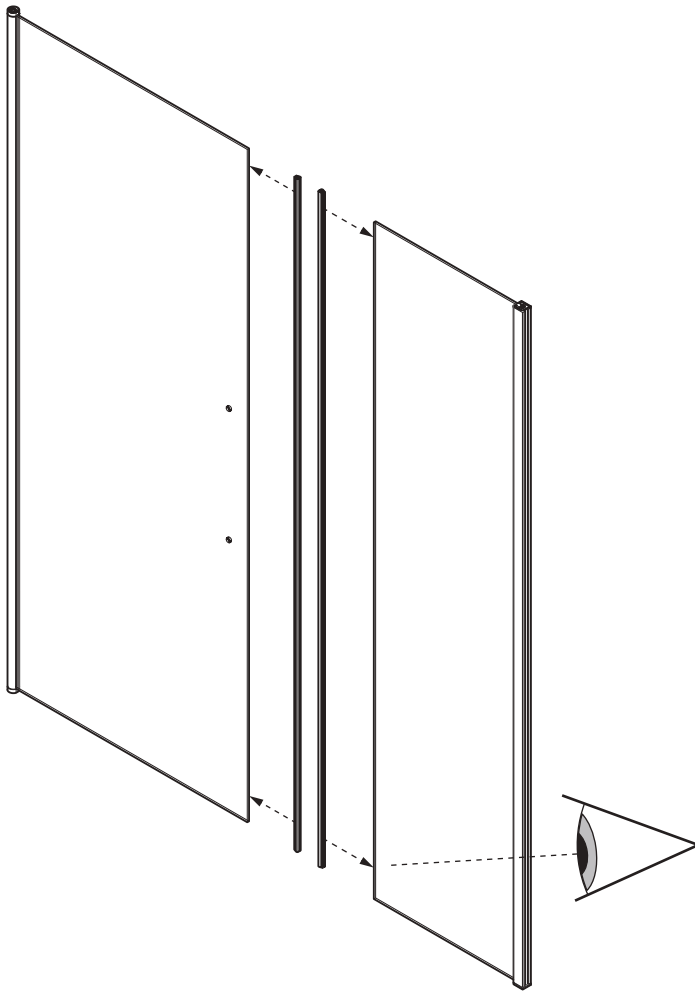
3



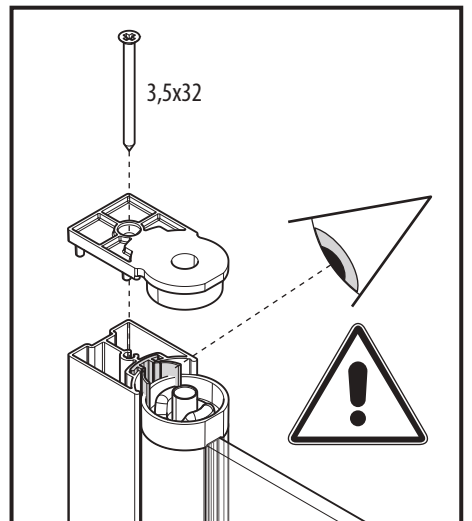
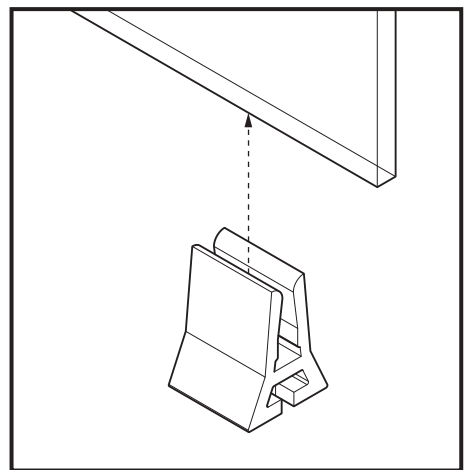
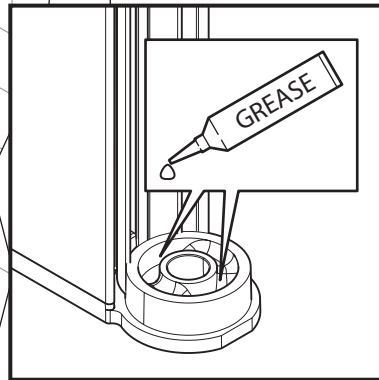
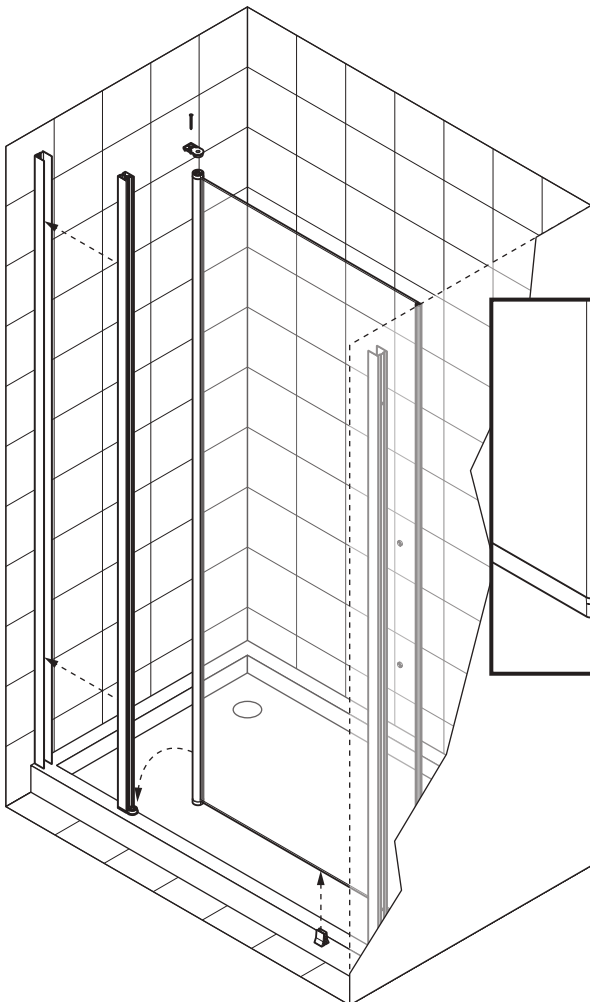
4



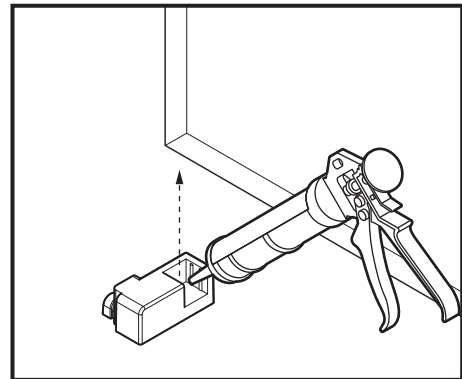
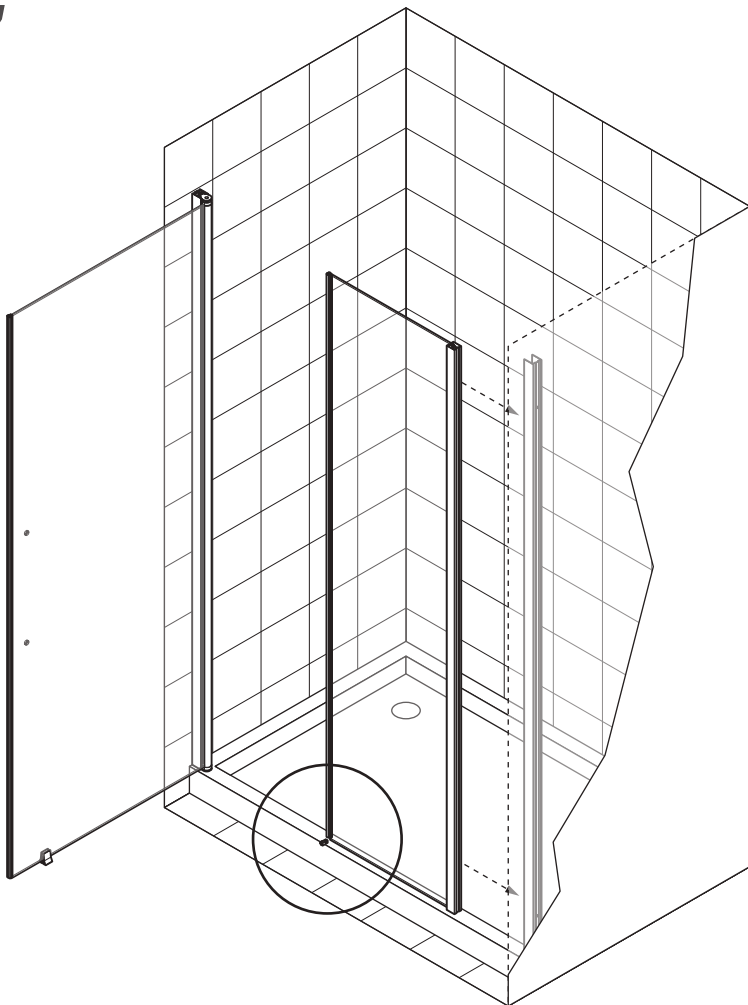
5



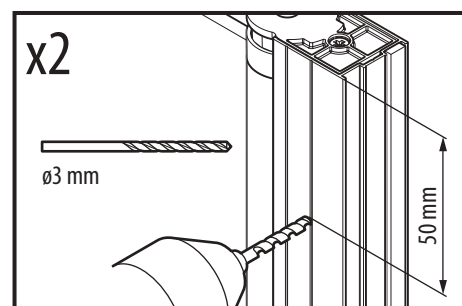
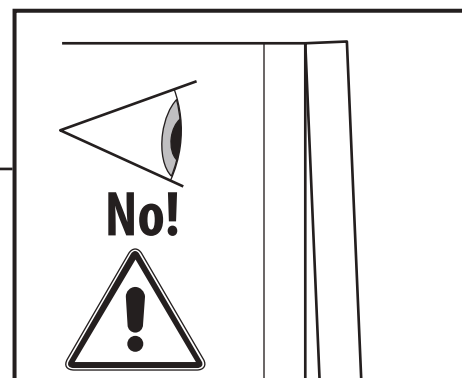
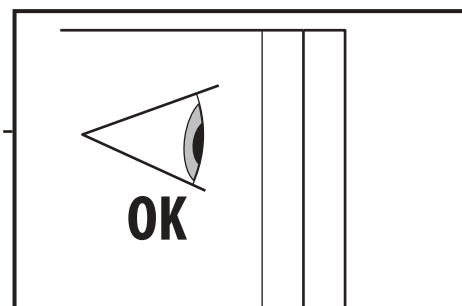
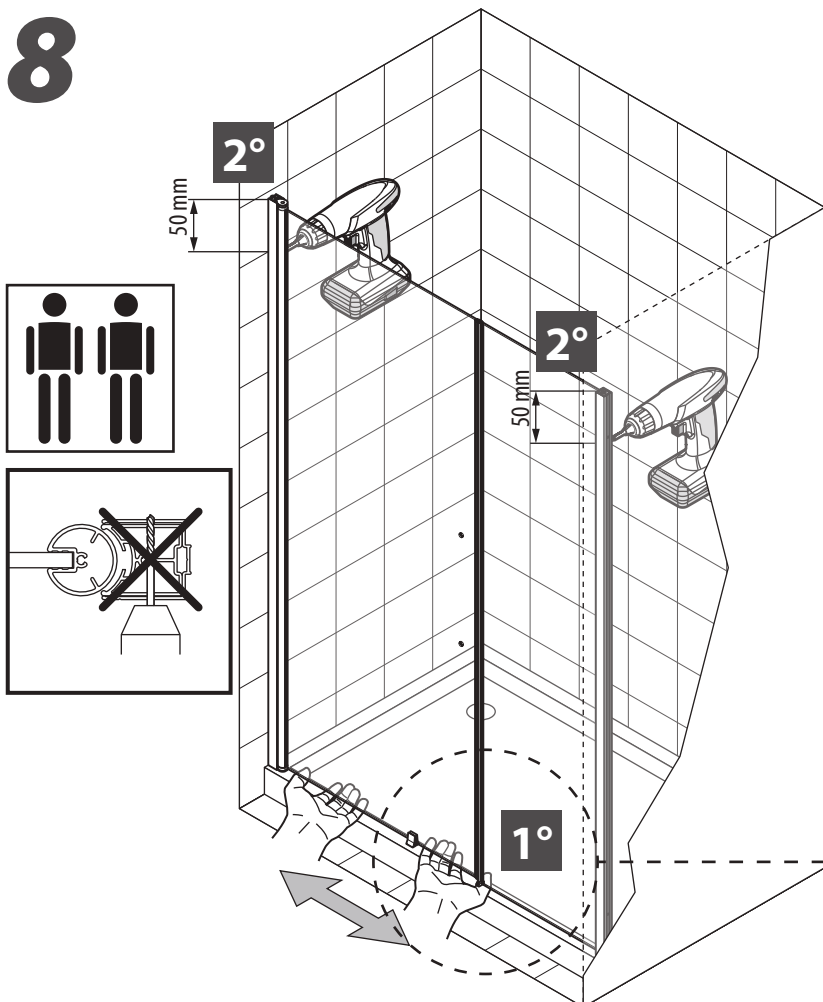
6



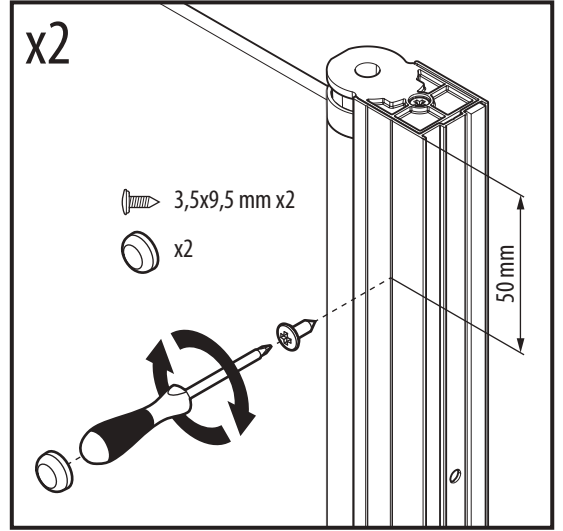
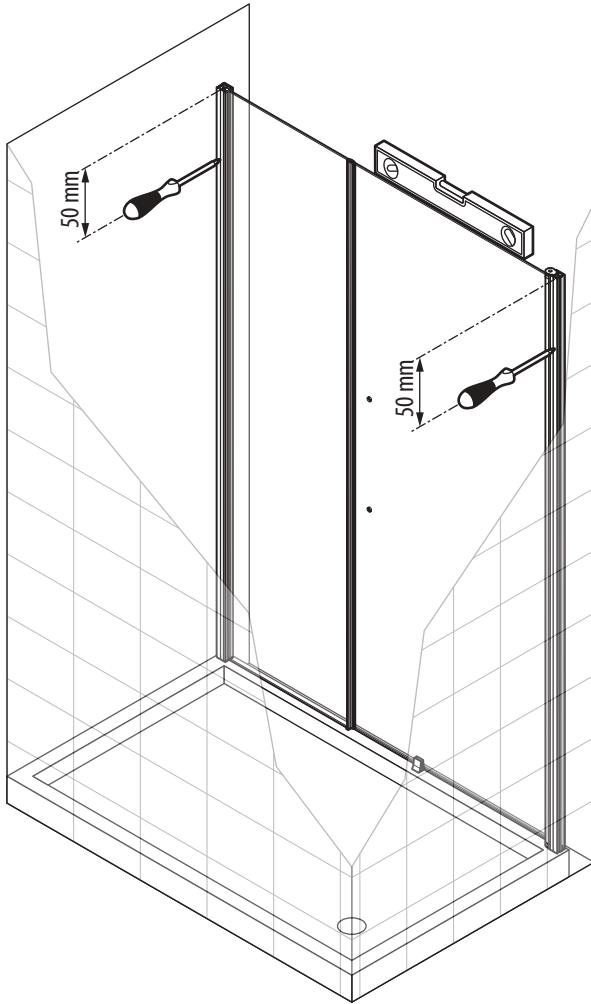
7



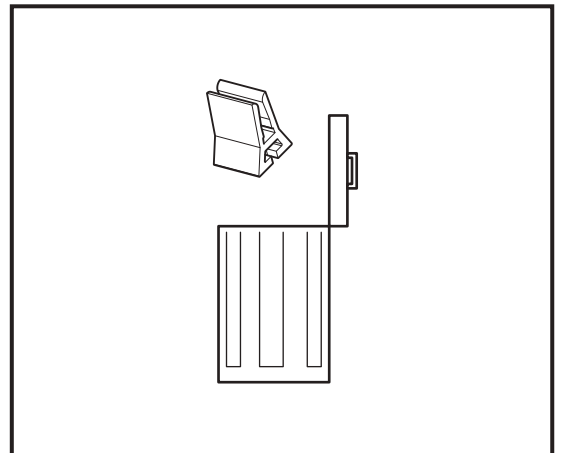
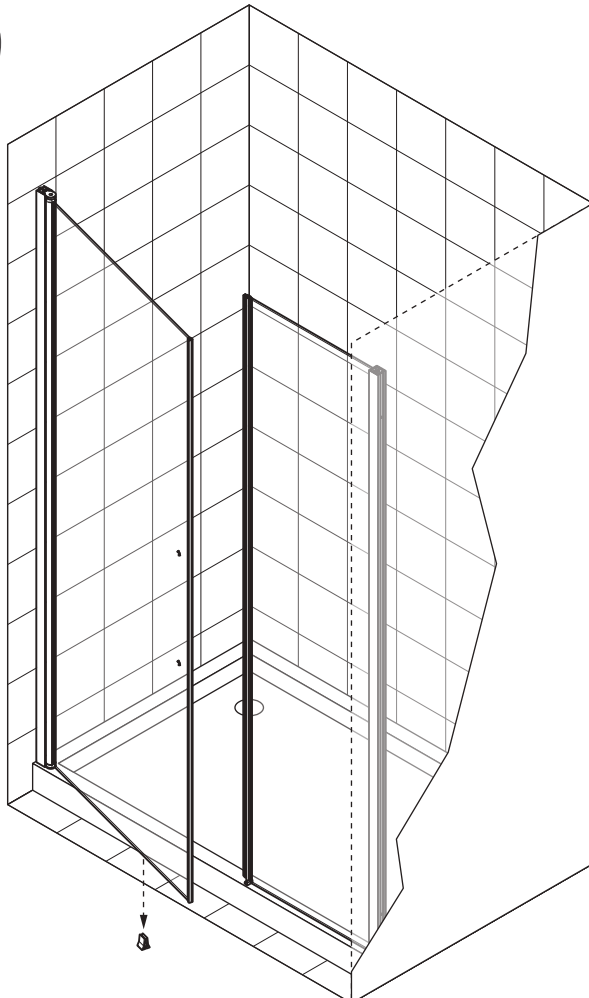
8



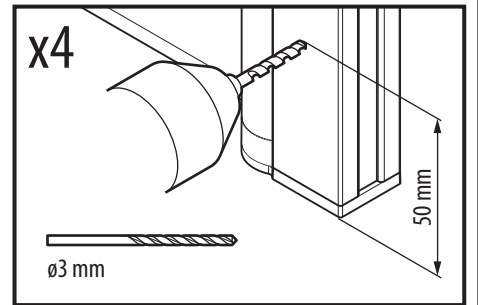
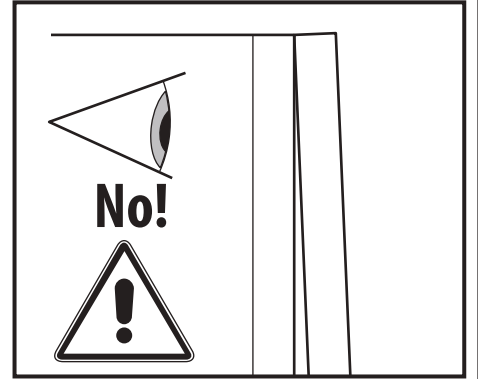
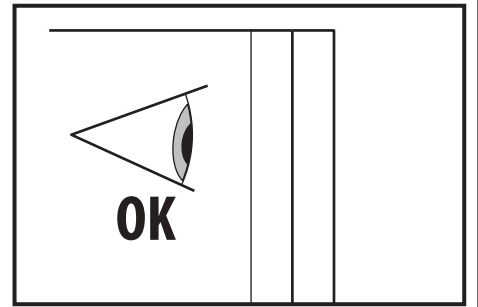
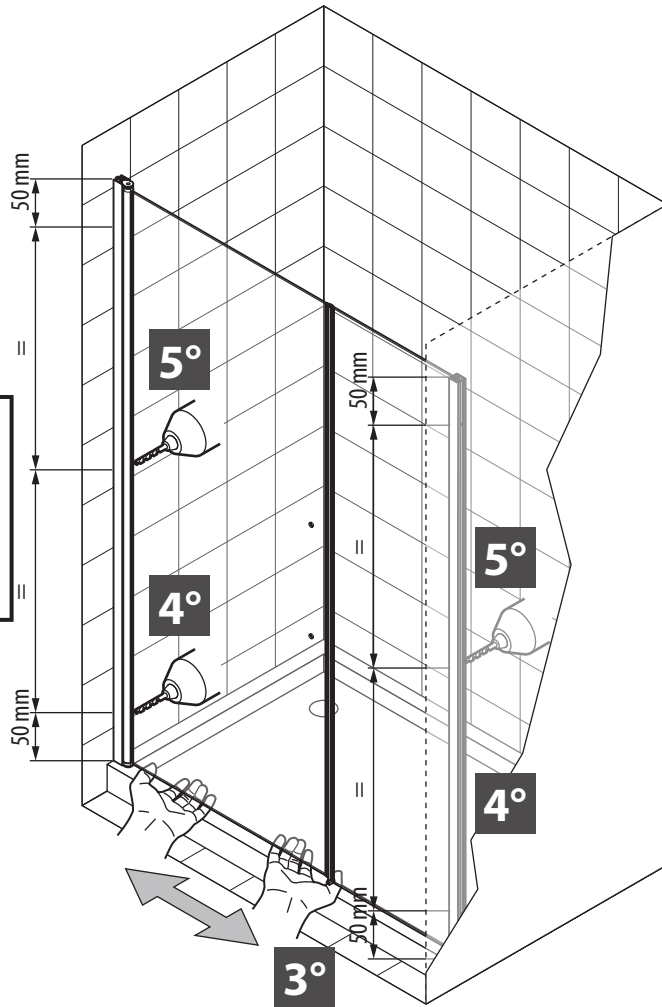
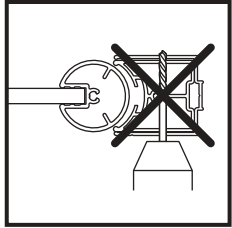
9



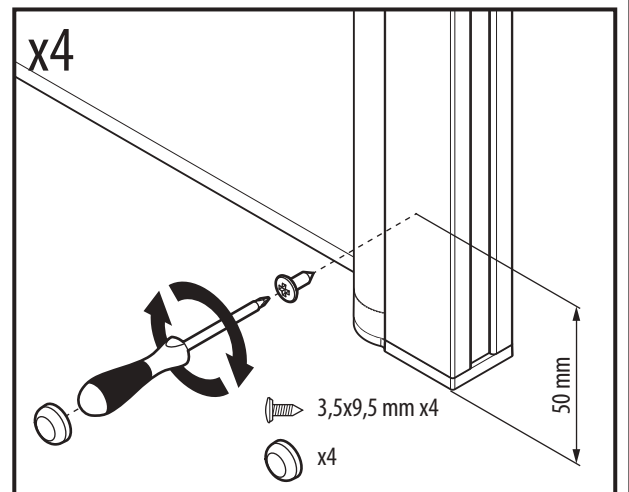
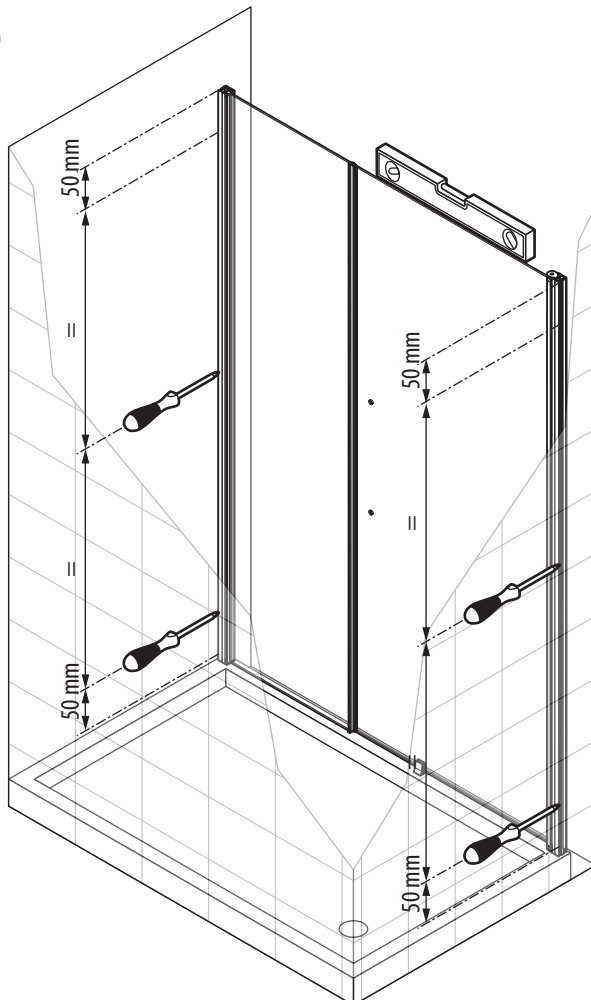
10



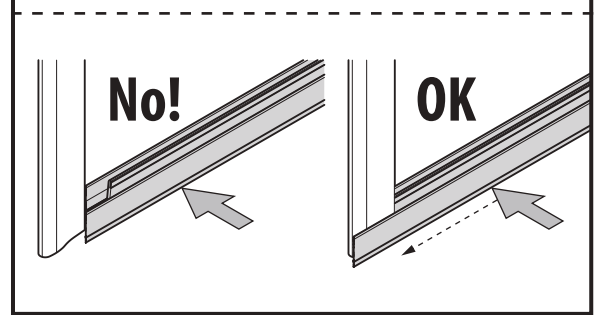
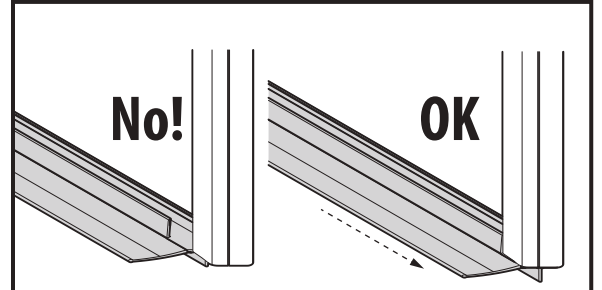
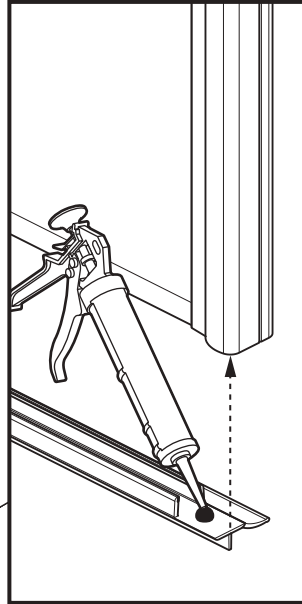
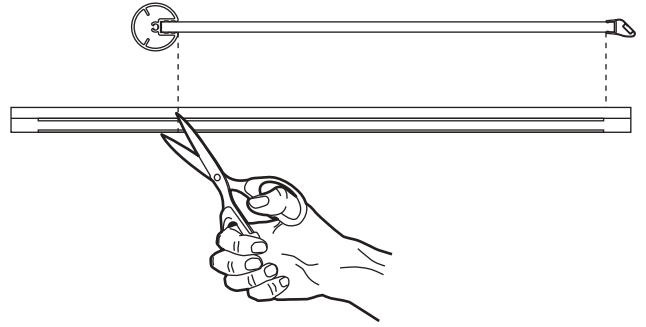
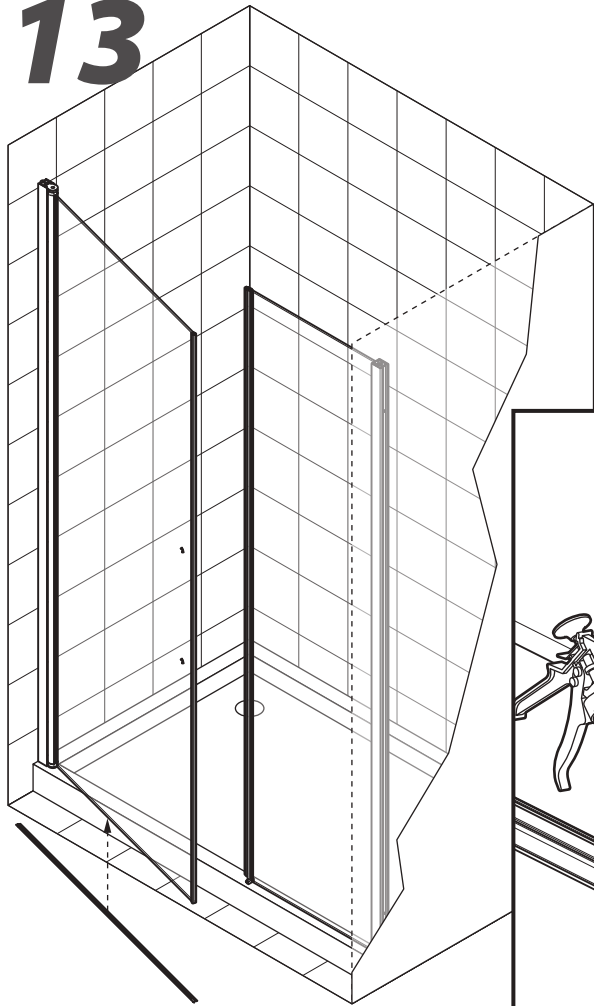
11



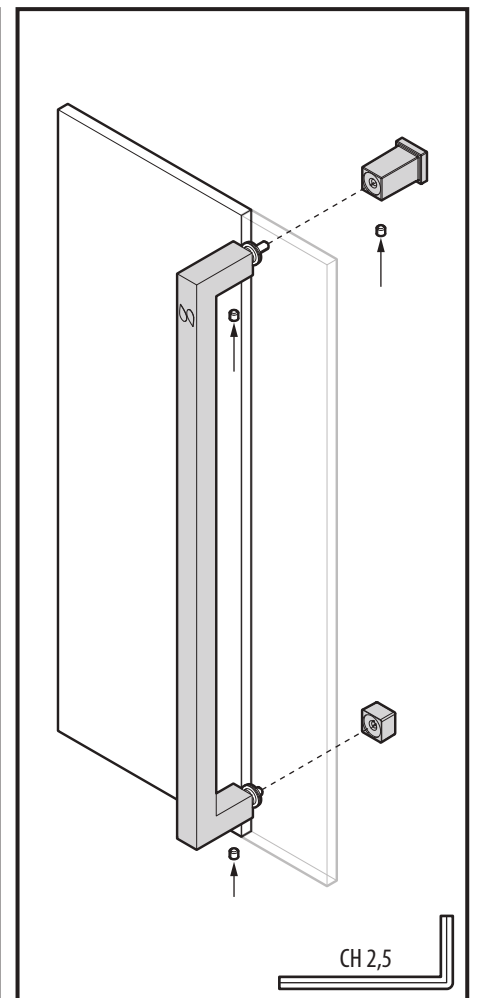
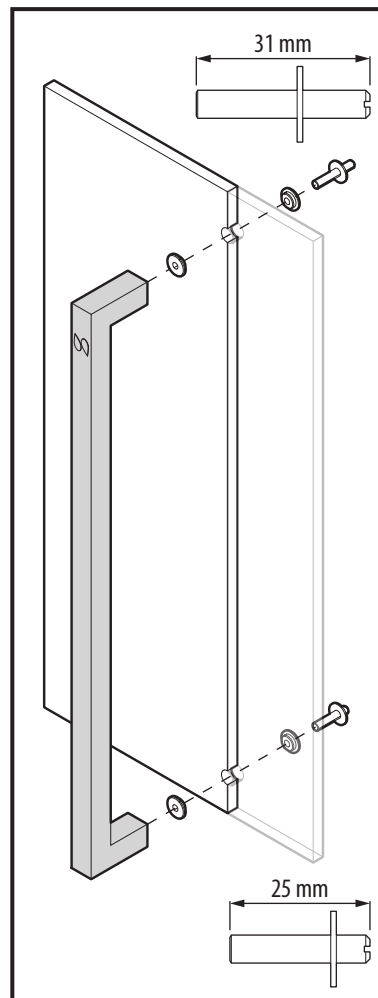
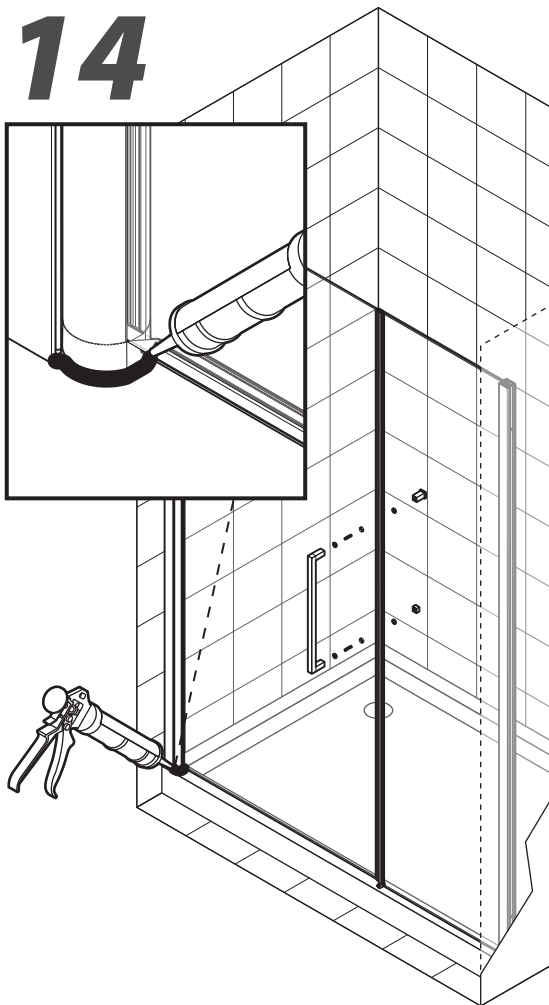
12



13

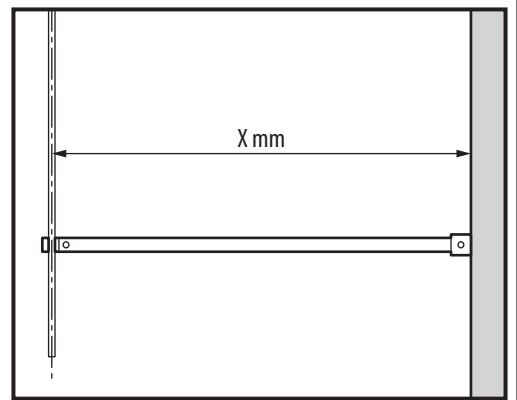
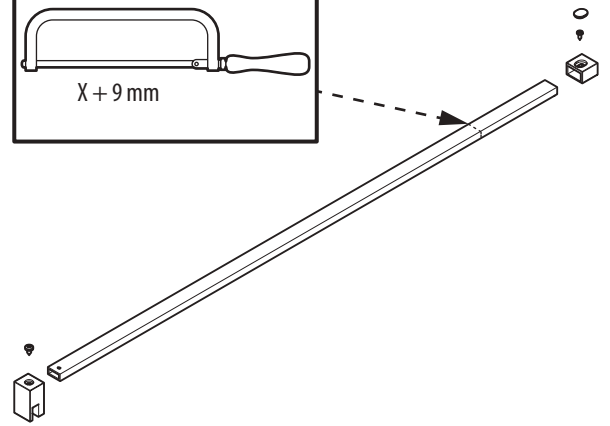
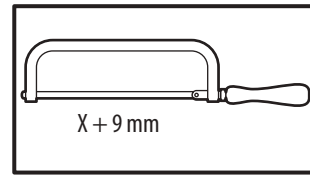
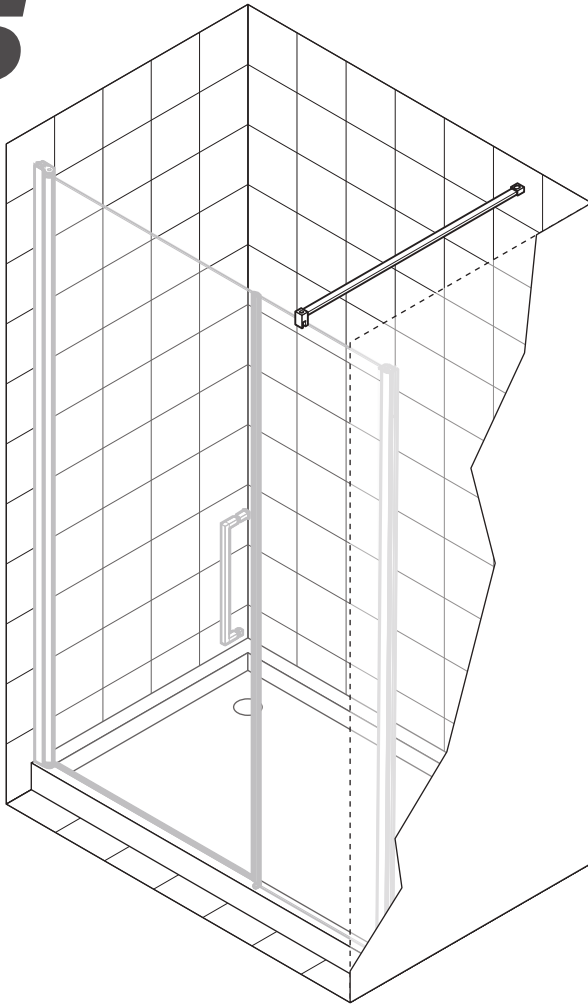


14

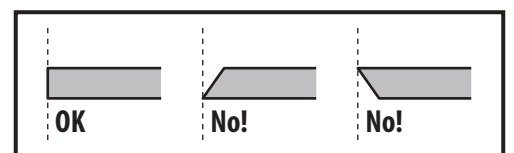
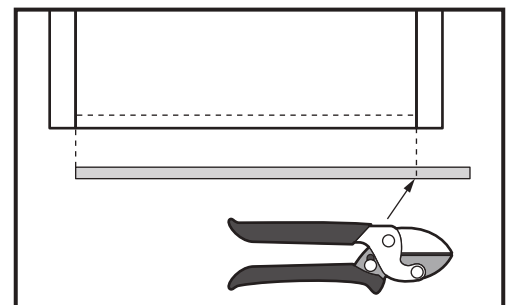
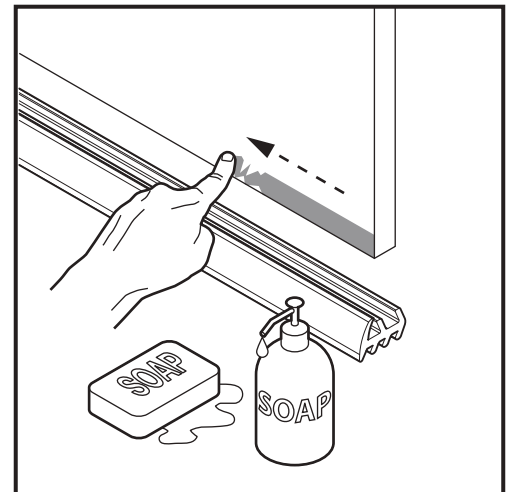
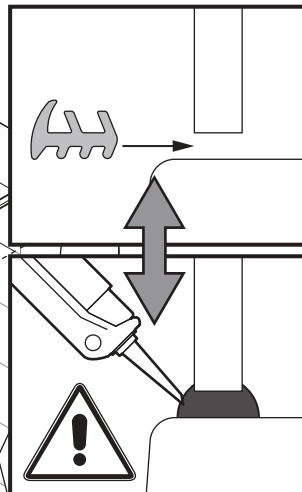
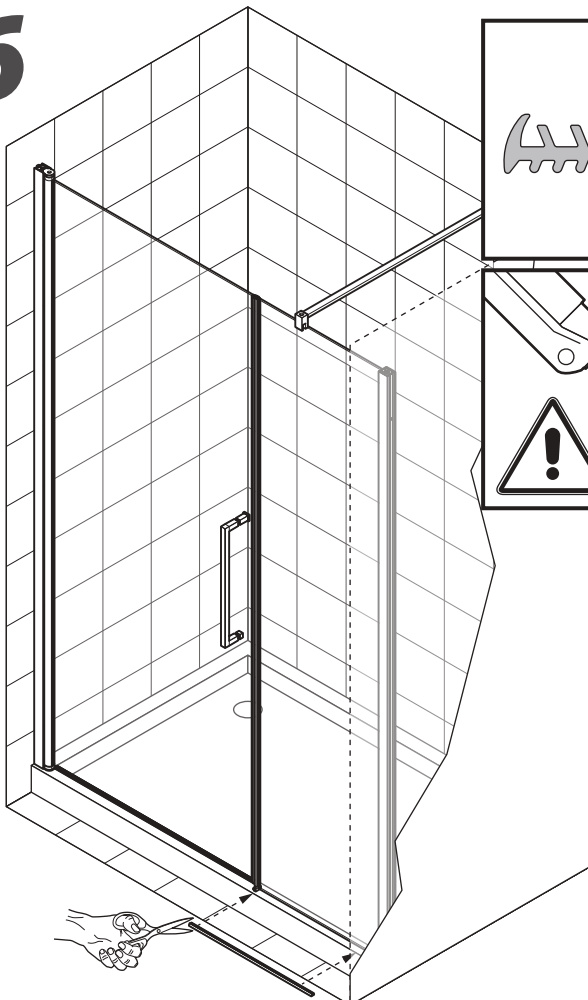


24

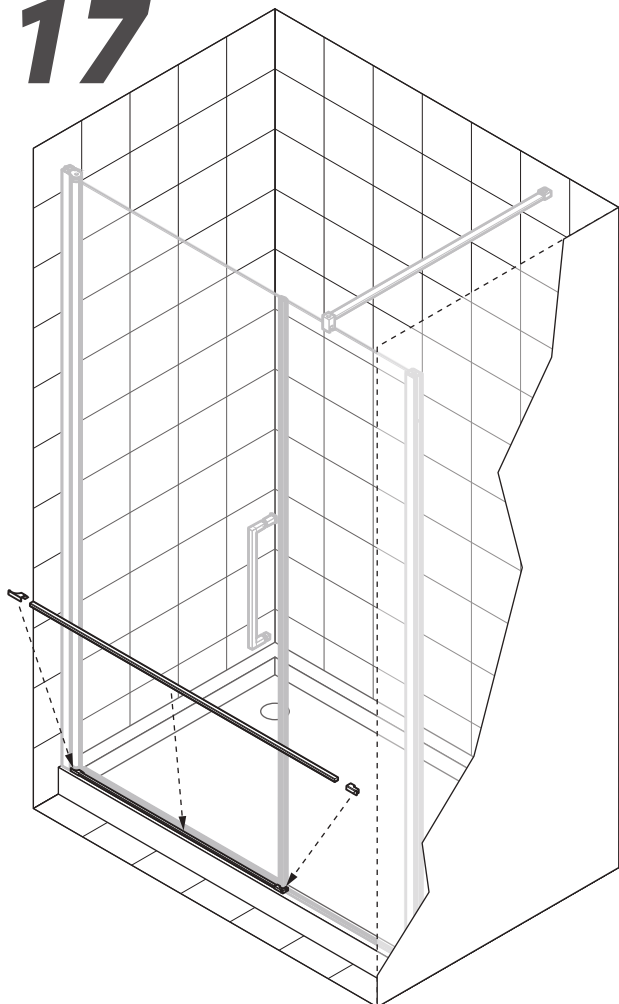
15



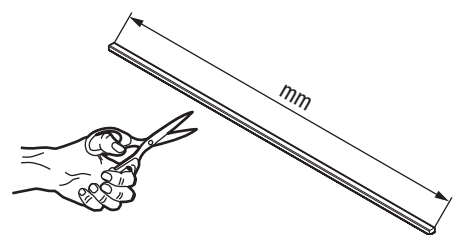
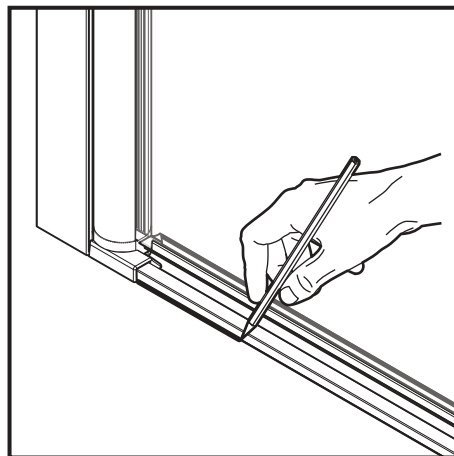
16



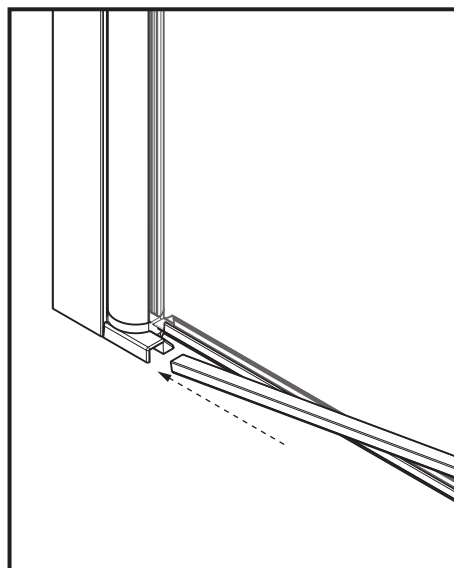
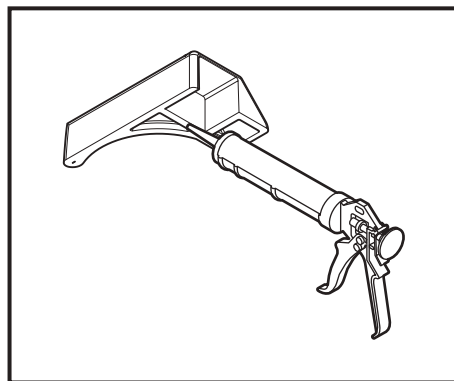
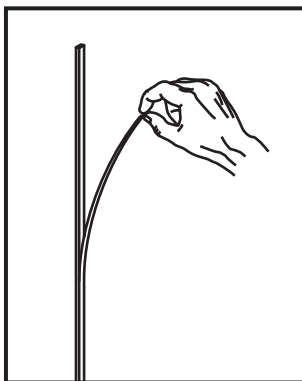
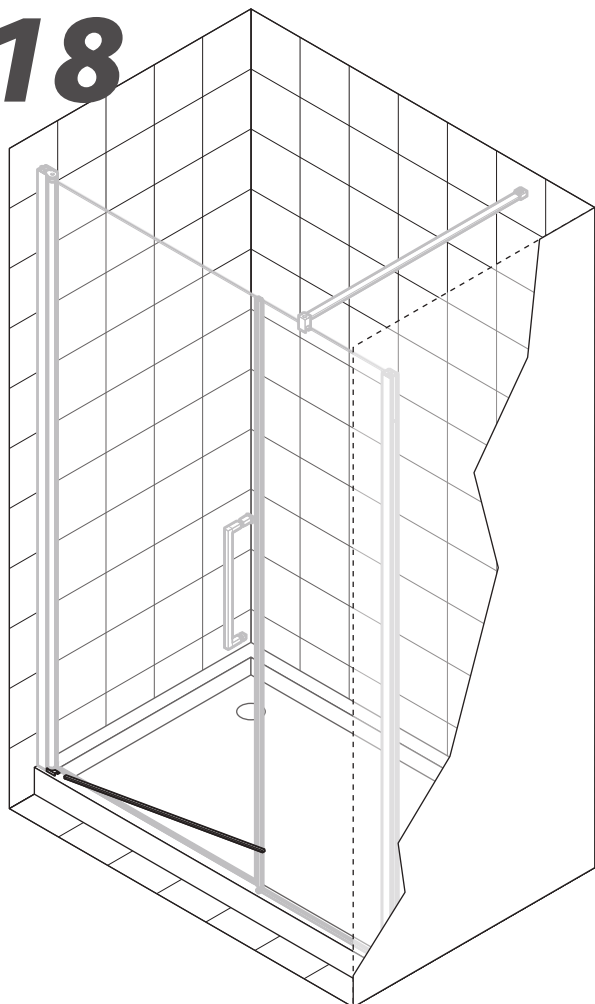
17



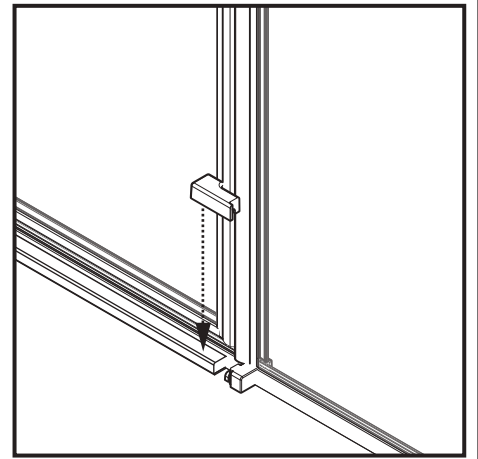
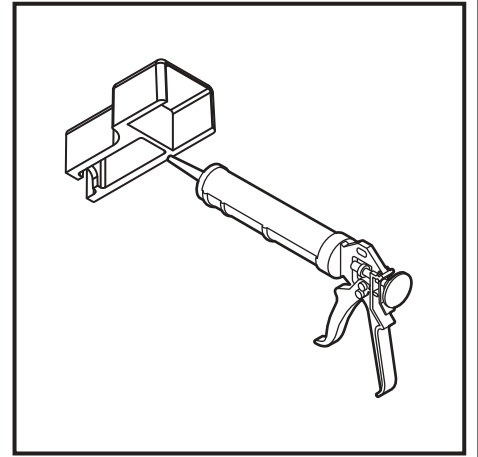
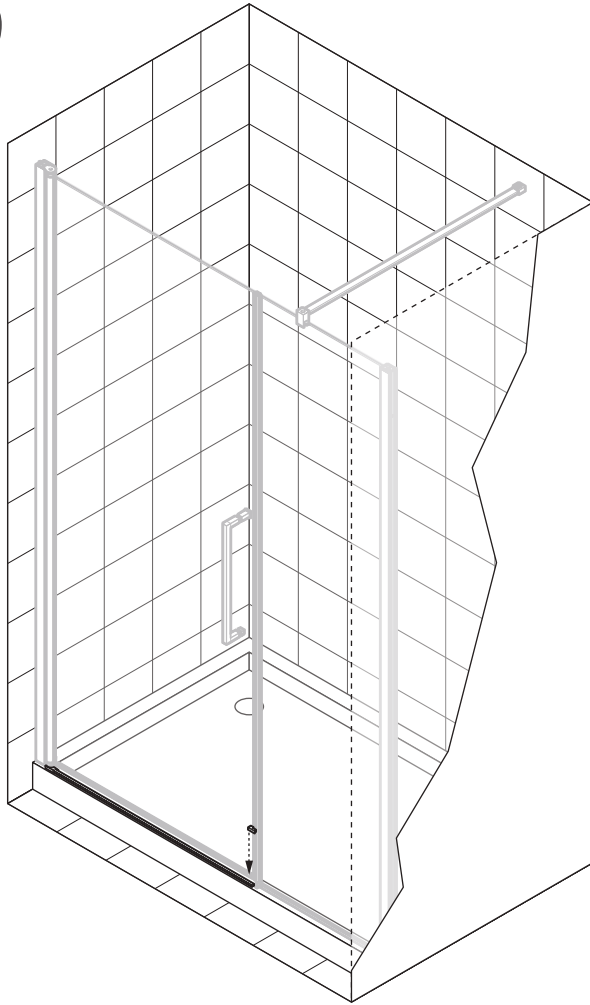
| G+FL | mm Est.-98mm |
|---------|-----------------|
| 97-101 | 572 |
| 107-111 | 572 |
| 114-118 | 642 |
| 117-121 | 672 |
| 134-138 | 772 |
| 137-141 | 772 |
| 147-151 | 872 |
| 154-158 | 872 |
| 157-161 | 872 |
| 164-168 | 872 |
| 167-171 | 872 |
| 177-181 | 872 |



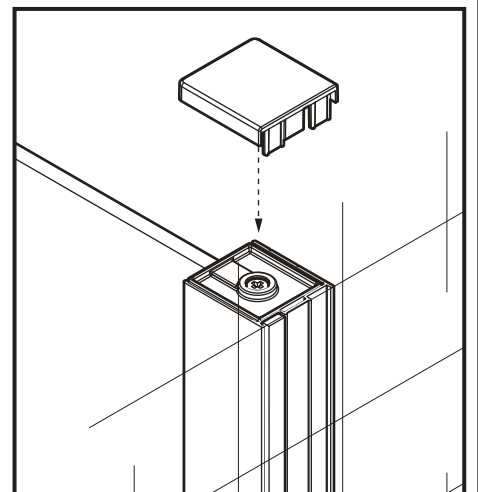
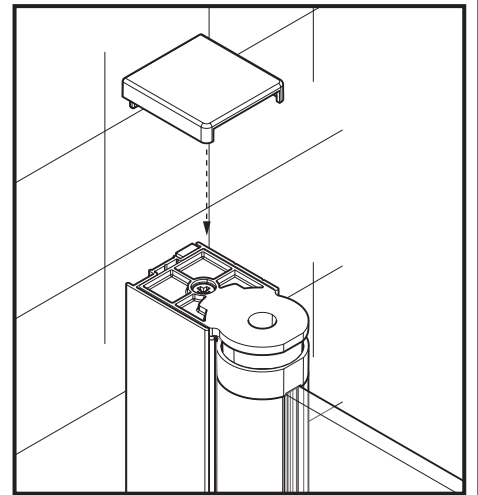
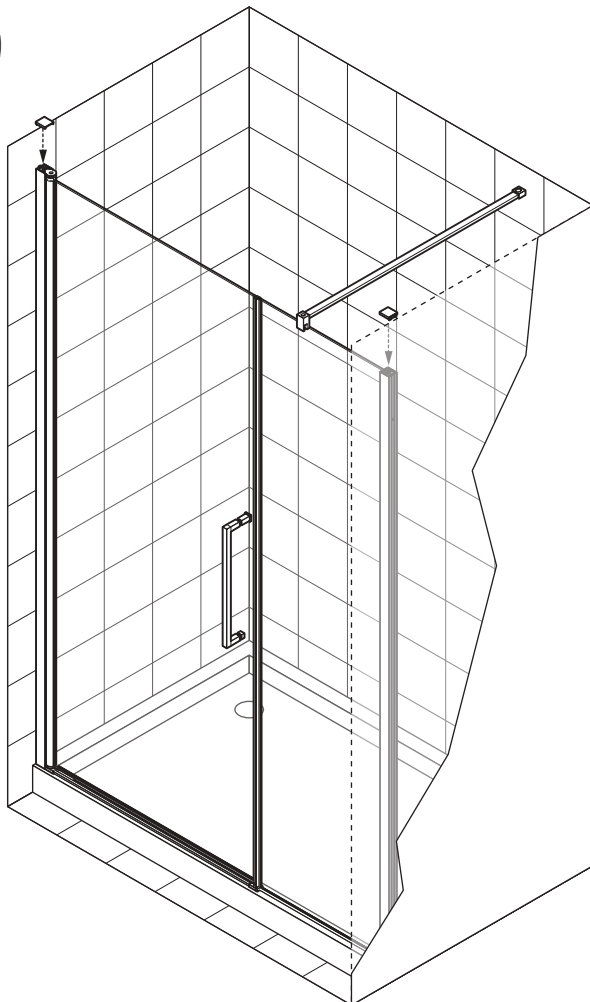
18



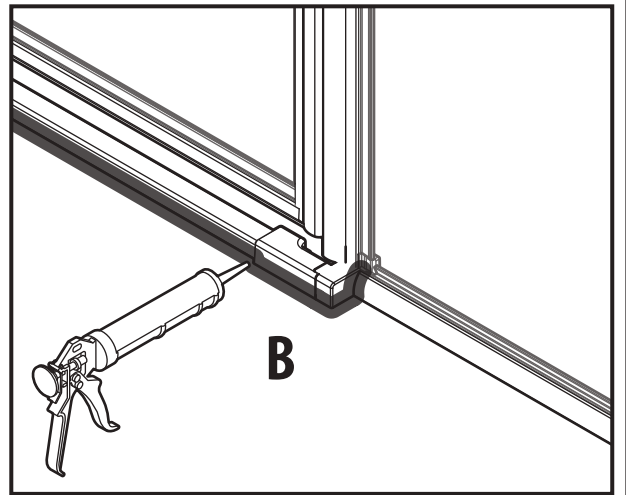
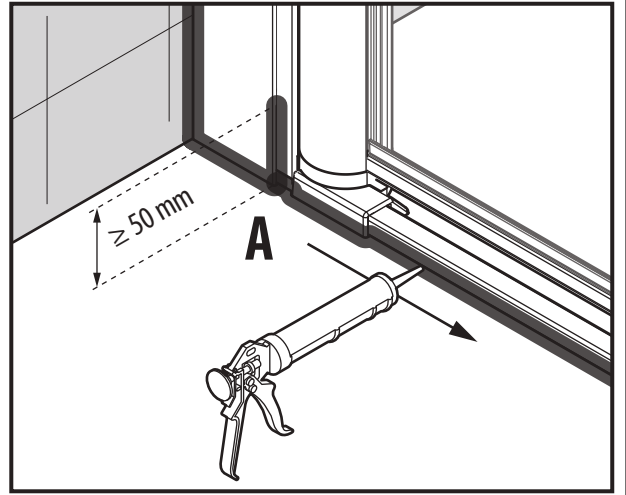
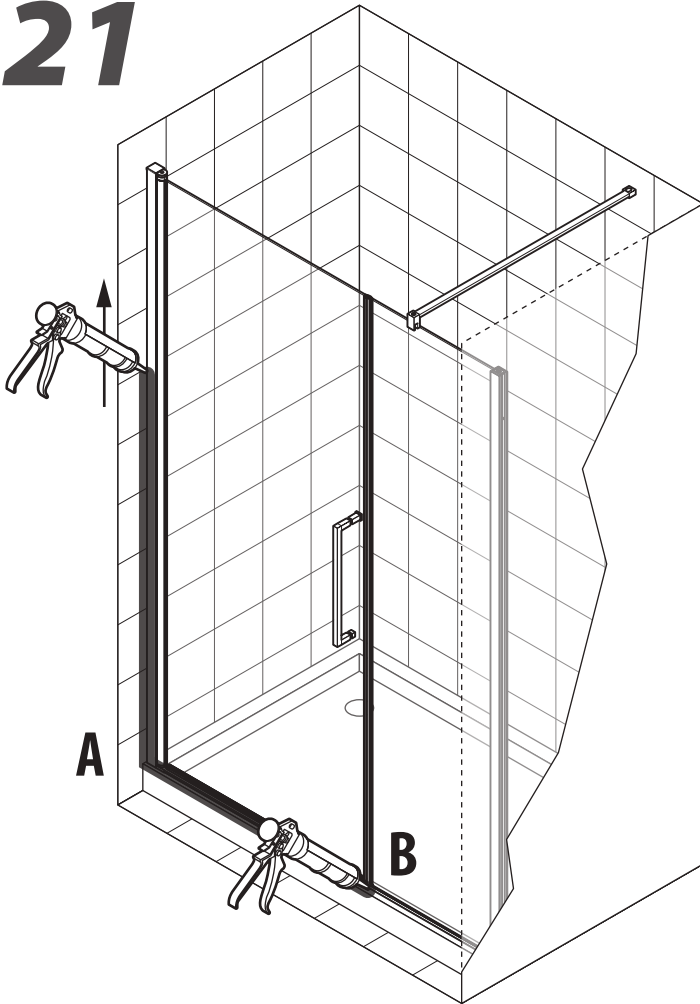
19



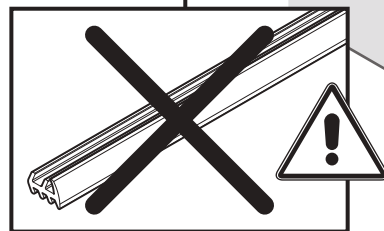
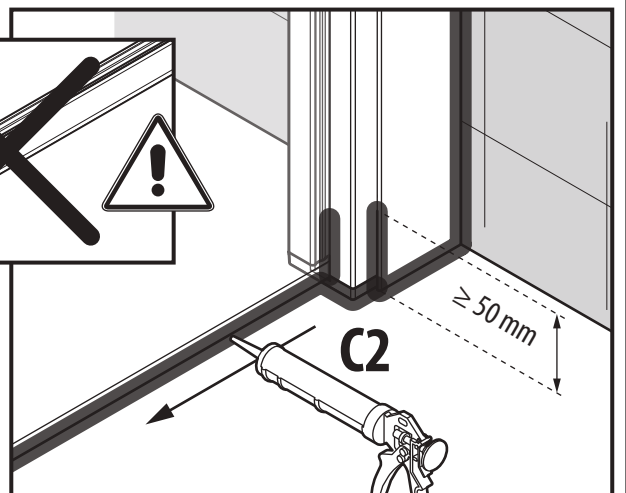
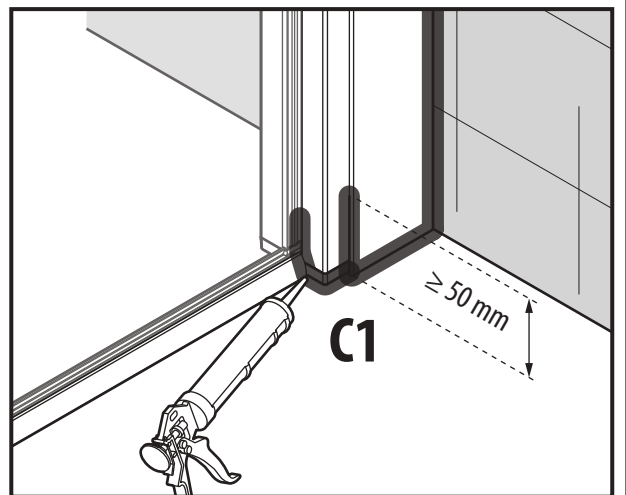
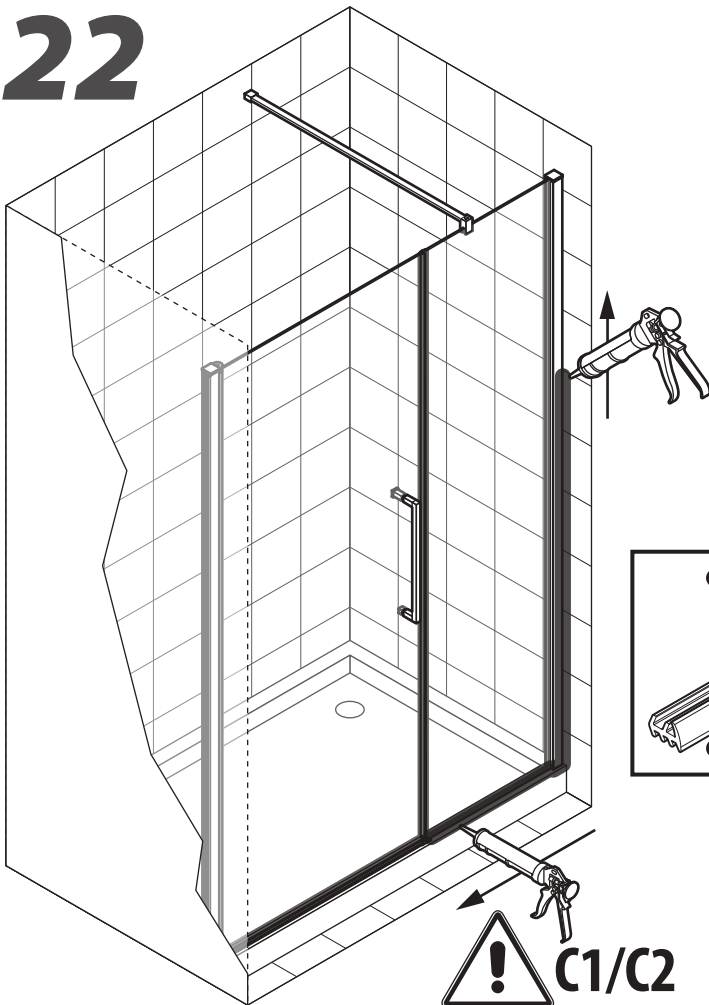
20



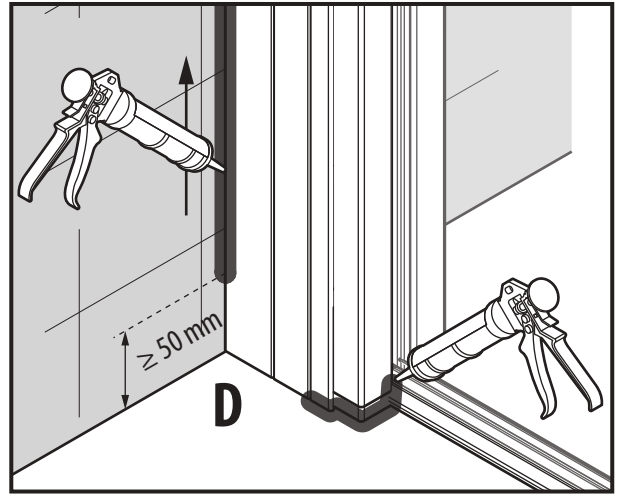
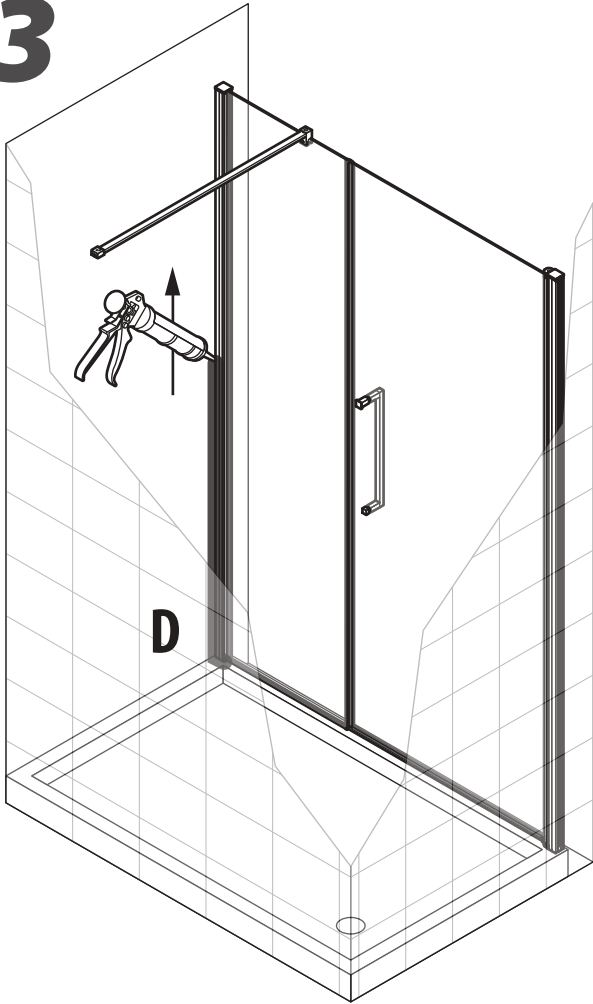
21



22



23



24

