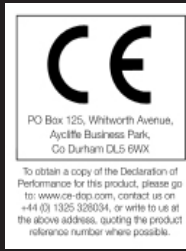


One Door Slider

Instruction Manual

KT1DC / TT1DC



IMPORTANT INFORMATION

Be aware toughened glass can shatter if not handled correctly. It should not be subjected to any sharp impact and it is essential to protect the glass by resting it on a soft protective surface during installation such as cardboard or carpeting. It is recommended to wear PPE at all times during installation.



PRE-INSTALLATION CHECKS

1. Check you have the correct product. Please look at the labels on the side of the product packaging.
2. Check all the product components are in the box and the fixing kits.
3. Unpack your product and handle it with care.
4. Please check the product for defects or damage, once the installation has commenced we cannot accept responsibility for any defects or damage.
5. Please take time to read these instructions prior to installing your product.
6. Before you commence any drilling check there are no hidden electrical cables and/or water pipes.
7. No attempt should be made to re-work the toughened safety glass.
8. The installation of the product should be performed by two persons.
9. It is strongly recommended that the walls the product is going to be installed on are vertical.
10. It is strongly recommended the product is fitted on a tiled surface or similar waterproof surface.
11. It is strongly recommended the walls are tiled and grouted before the product is installed.
12. If the walls and/or the tray are not level you will not achieve maximum adjustment of the product.
13. Pictures used are for illustration purposes only, product designs may alter slightly as a result of continuing product development.
14. We do not stipulate where the European Standard Kite Mark should be positioned on the glass when being factory assembled.
15. Please note that some natural misting may occur when you remove this product from its packaging, due to the addition of the glass protection pre-coating. If this does occur this can easily be removed with a soft, dry cloth.
16. If you have purchased a product with a printed face, please ensure the printed face is fitted to the outside.

Fixing Kit Components (Supplied)

Description	Quantity
Wall Plugs	10
40mm Screws	10
2.5mm Allen Key	1
3mm Allen Key	1
Top Rail Wall Bracket Marker	1
Branding Clip	1
2.5mm Drill Bit	1
9mm Screws	4
Black Spacer	1

Component Check List: Supplied

Description	Quantity
Wall Profiles	2
Door Panel Glass	1
Return Panel Glass	1
Top Rail and Bottom Door Strip	1 of each
Door Assembly	1
Handle Assembly	1
Door Magnet and Magnet Extrusion	1 of each
Door and Panel Seals	2
Door Bearings	2
Wall Brackets	4
Top Rail Wall Brackets and Glass Clamps	1 of each
Bottom Door Guide	1
Return Panel Corner Bracket	1

Equipment Check List: Not Supplied

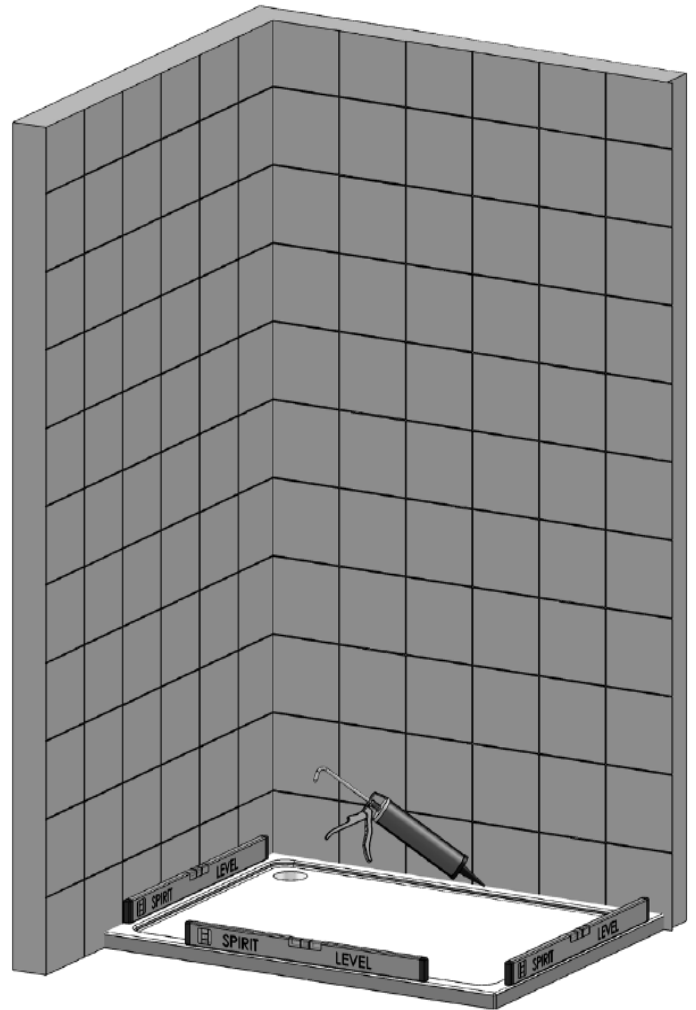
Description
Electric / Battery Drill
Flexible Pozi Screwdriver
Pozi Screwdriver
Sealant Gun / Sealant
Spirit Level (Large)
6mm Masonry Drill Bit
Tape Measure
Pencil
Torque Wrench
Stanley Knife / Snips

CONSUMER GUARANTEE

Please make sure the purchaser/end user completes and returns the guarantee card which is enclosed with this product. Failure to validate the Guarantee will mean only the 1 Year Statutory Guarantee will apply.

Step 1 - Preparation

IMPORTANT: The tables below are for STANDARD PRODUCTS ONLY. If you have purchased a bespoke product then your adjustments will be different, you MUST refer to your bespoke customer drawing for the actual adjustment.



Side Panel	Minimum	Maximum
KTR1C8 / TTR1C8	773	787
KTR1C9 / TTR1C9	873	887

IMPORTANT: The above are finished tiled sizes

Door	Minimum	Maximum
KT1D12C / TT1D12C	1173	1187
KT1D14C / TT1D14C	1373	1387
KT1D15C / TT1D15C	1473	1487
KT1D17C / TT1D17C	1673	1687

IMPORTANT: The above are finished tiled sizes



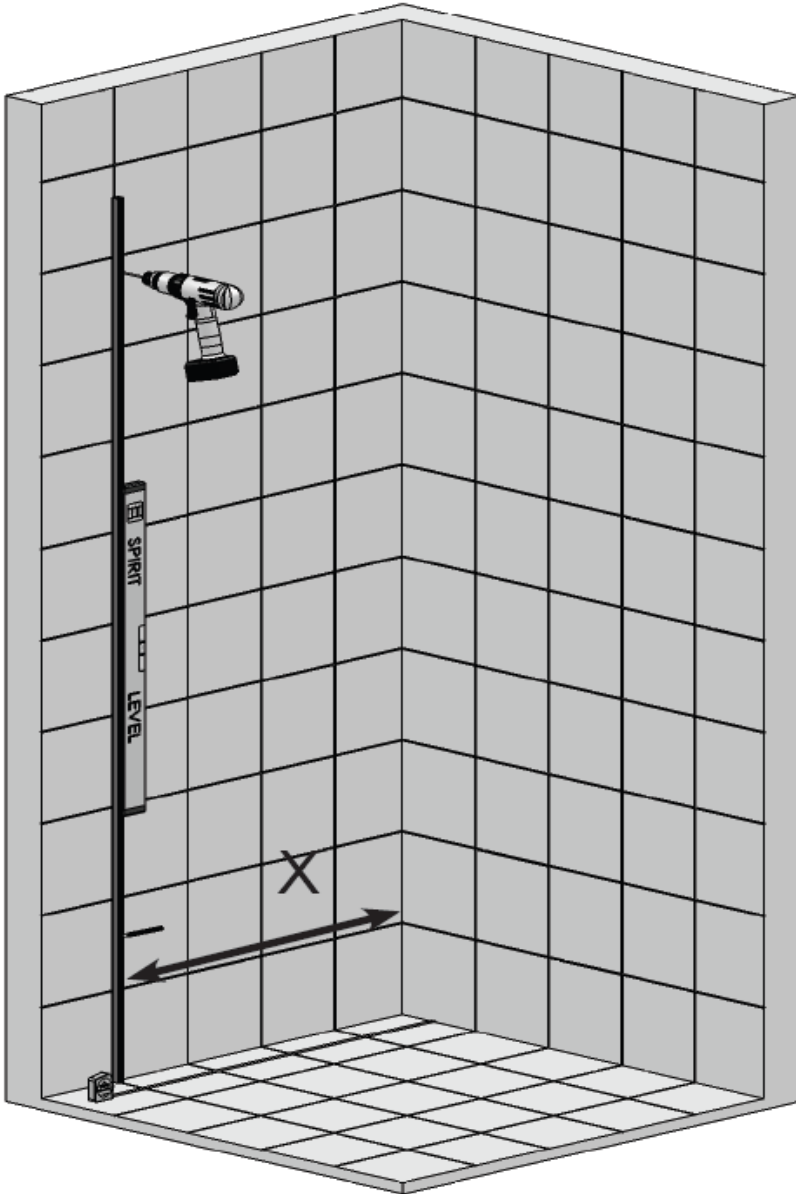
1. Check the tray is level on all sides (the bubble on the spirit level must be in the centre of the 2 lines).
2. Stand in the tray and check that there is no adverse movement (correct if necessary).
3. The walls should be tiled and grouted up to the tray.
4. The tiles and the tray should be sealed using a good quality bathroom sealant.

- **Spray the seal and joints with the shower head and check for leaks when the silicon has cured.**
- **Check the plumbing for leaks.**
- **DO NOT plasterboard over the tray.**
- **DO NOT grout the tiles when the enclosure has been fitted, the grout may discolour the aluminium profiles.**
- **Make sure the tray is installed as per the manufacturer's instructions.**
- **When all of the above has been completed please proceed to the Step 2.**

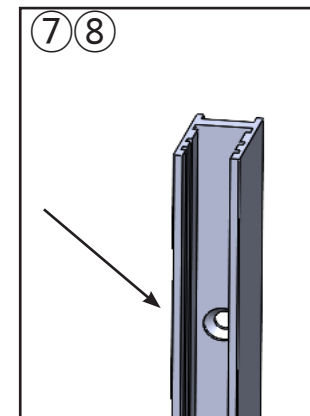
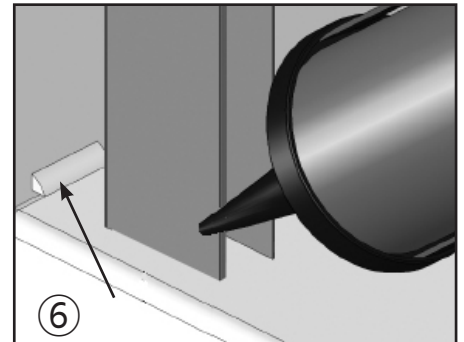
Step 2 - Door Panel Position

IMPORTANT: The table below is for the positioning of the Inline Panel Wall Profile on STANDARD PRODUCTS ONLY. If you have purchased a bespoke product then DO NOT USE THE TABLE. To get the "X" dimension measure the width of the RETURN PANEL GLASS and add 34mm. Note the dimensions given are from the tiled wall to the inside of the Wall Profile (see image below). Placing some Masking Tape on the Tiled Wall in the position where the Wall Profile is to go will not only help with marking out but will also help protect the tiles when drilling.

IMPORTANT: The Door Wall Profile is shorter in length than the Return Panel Wall Profile.



To Suit Side Panel	Dimension X
KTR1C8/ TTR1C8	767
KTR1C9/ TTR1C9	867

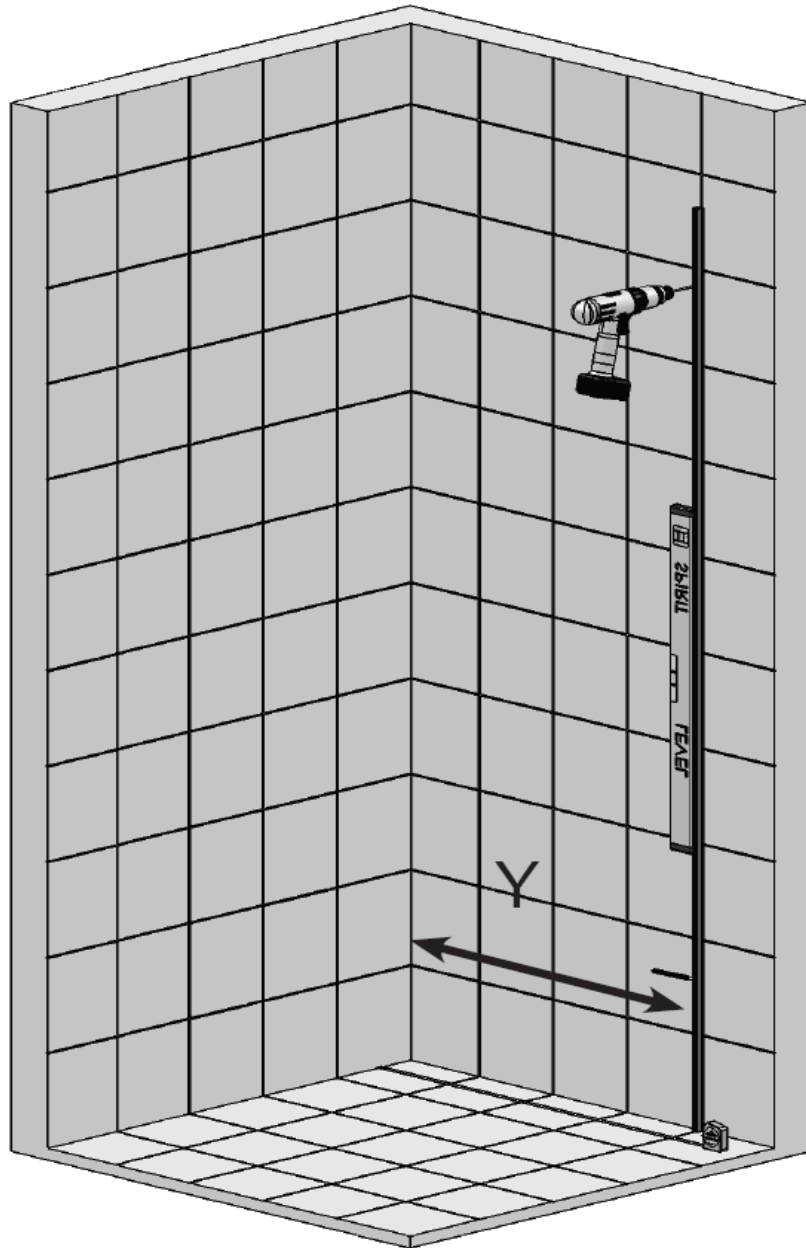


- Using the table above mark the wall at the required distance (dimension "X") to suit your Side Panel size.
- Place a Spirit Level onto the pencil mark and add a pencil line fully up the wall.
 - IMPORTANT: You MUST ensure that the Spirit Level is completely vertical when marking the wall.**
- Place the inside of the Wall Profile onto the pencil line making sure that it is fully vertical
- Mark the wall through the holes in the Wall Profile.
- Drill the wall with a 6mm masonry drill (not supplied). Remove the Masking Tape and fit the Wall Plugs and remove any debris.
- Apply a bead of sealant the width of the Panel Profile where it meets the top of the tray and the tiled wall.
- Place the Wall Fixing screws into the holes in the Panel Profile.
- Line up the screws with the holes in the Wall and tighten all the screws.

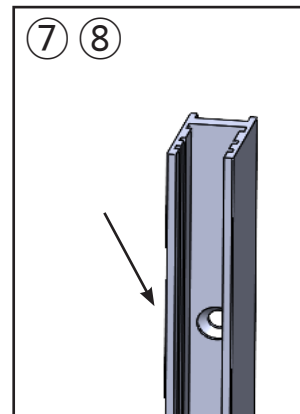
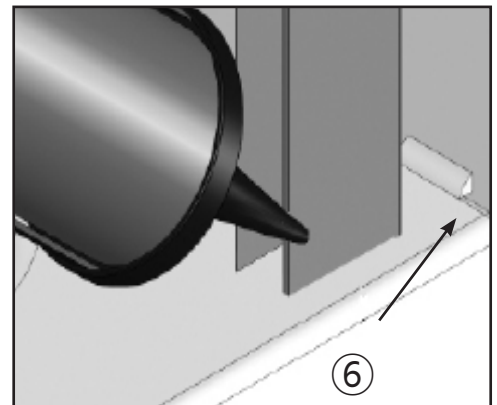
Step 3 - Return Panel Position

IMPORTANT: The table below is for the positioning of the Return Panel Wall Profile on STANDARD PRODUCTS ONLY. If you have purchased a bespoke product then DO NOT USE THE TABLE. To get the "Y" dimension measure the length of the TOP RAIL then add on 9mm. Note the dimensions given are from the tiled wall to the inside of the Wall Profile. Placing some Masking Tape on the Tiled Wall in the position where the Wall Profile is to go will not only help with marking out but will also help protect the tiles when drilling.

IMPORTANT: The Return Panel Wall Profile is longer in length than the Door Panel Wall Profile.



To Suit Sliding Door	Dimension Y
KT1D12C / TT1D12C	1167
KT1D14C / TT1D14C	1367
KT1D15C / TT1D15C	1467
KT1D17C / TT1D17C	1667

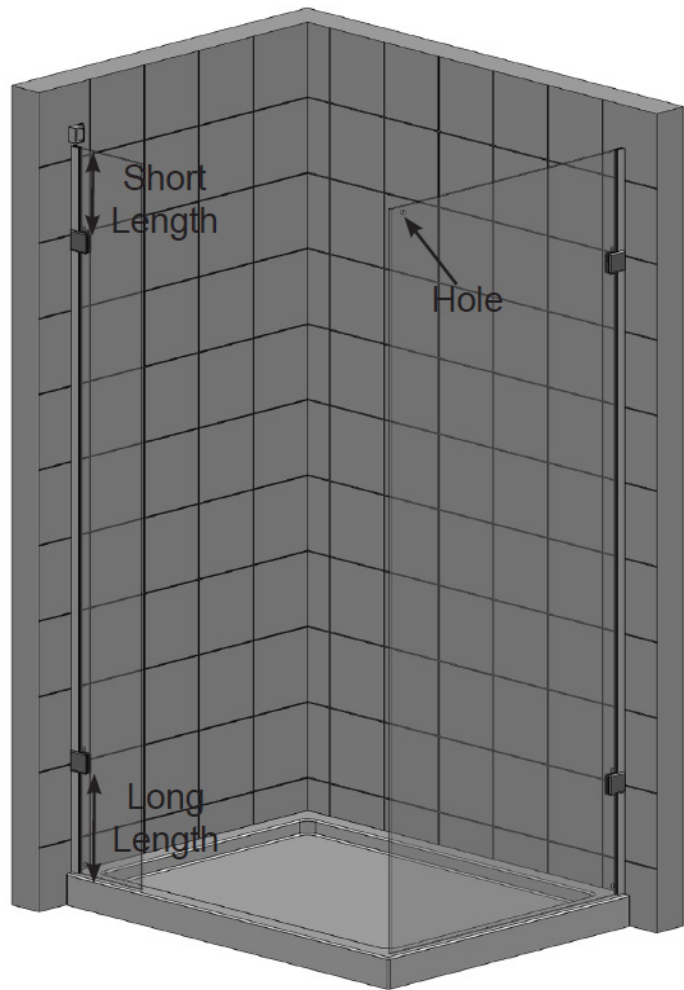
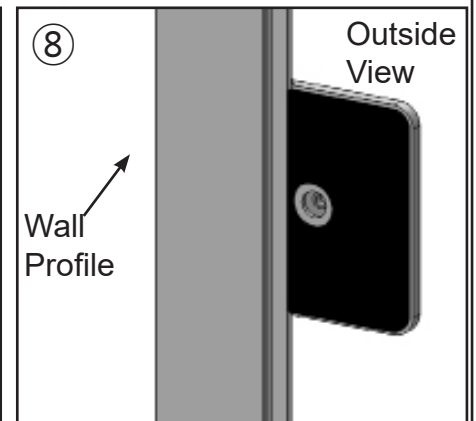
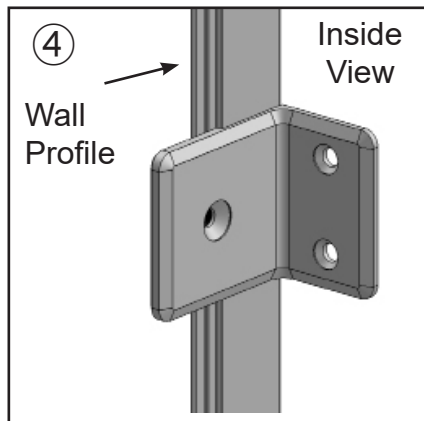
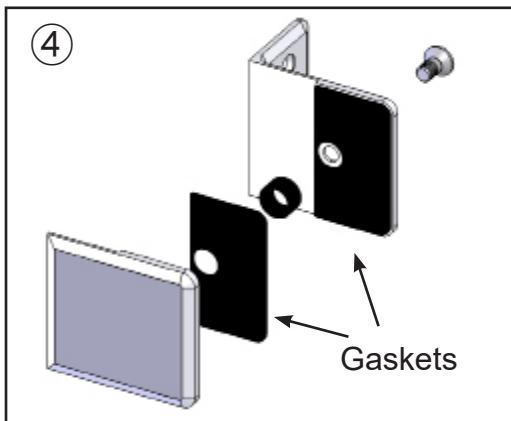
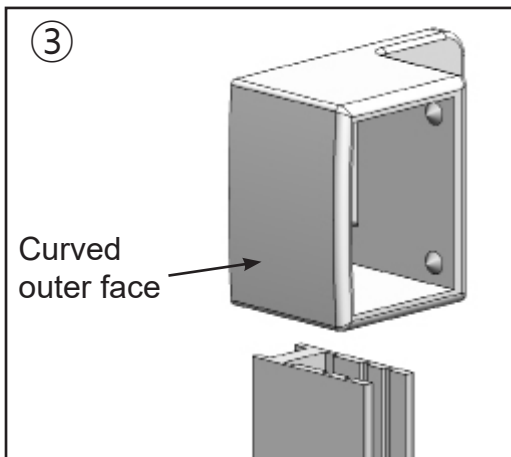
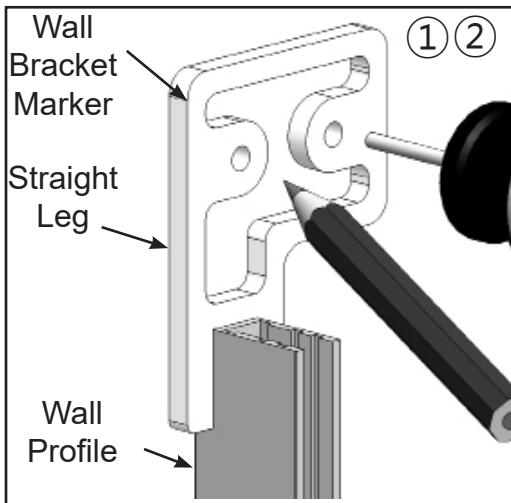


- Using the table above mark the wall at the required distance (dimension "Y") to suit your Sliding Door size.
- Place a Spirit Level onto the pencil mark and add a pencil line fully up the wall.
 - IMPORTANT: You MUST ensure that the Spirit Level is completely vertical when marking the wall.**
- Place the inside of the Wall Profile onto the pencil line making sure that it is fully vertical.
- Mark the wall through the holes in the Wall Profile.
- Drill the wall with a 6mm masonry drill (not supplied). Remove the Masking Tape and fit the Wall Plugs and remove any debris.
- Apply a bead of sealant the width of the Panel Profile where it meets the top of the tray and the tiled wall.
- Place the Wall Fixing screws into the holes in the Panel Profile.
- Line up the screws with the holes in the Wall and tighten all the screws

Step 4 - Fitting Wall Brackets

Two people will be required to do the following procedures.

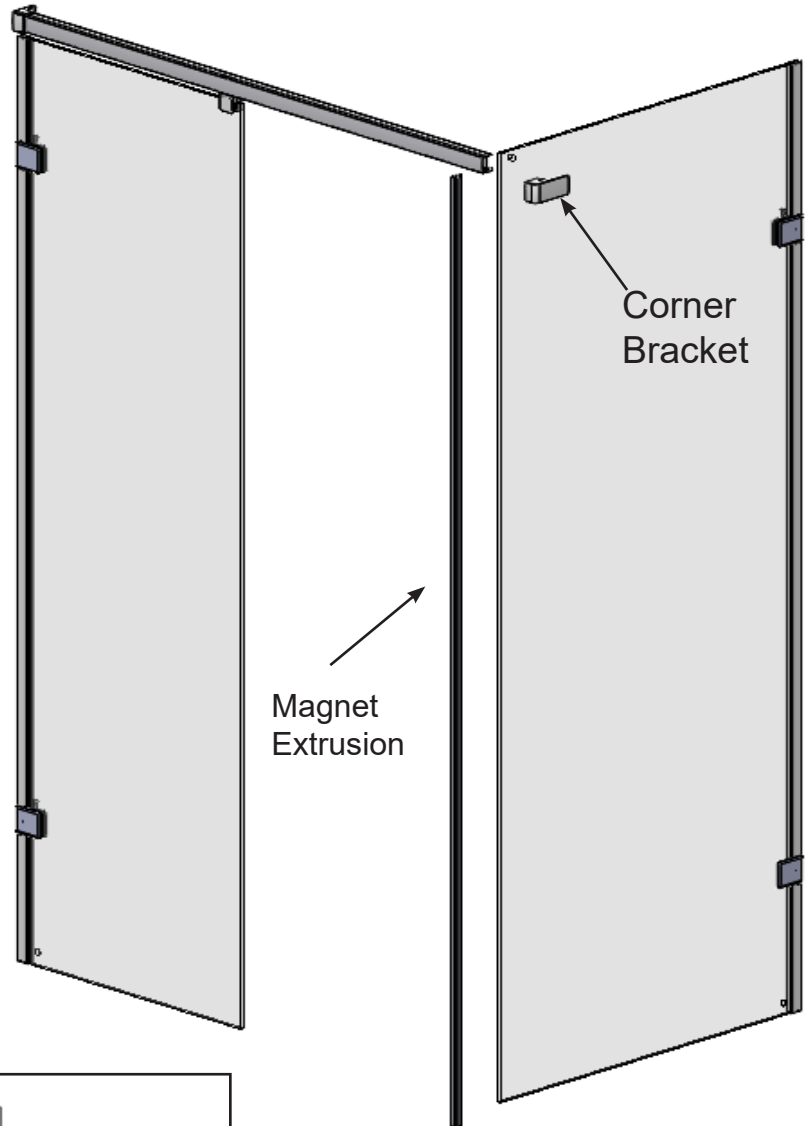
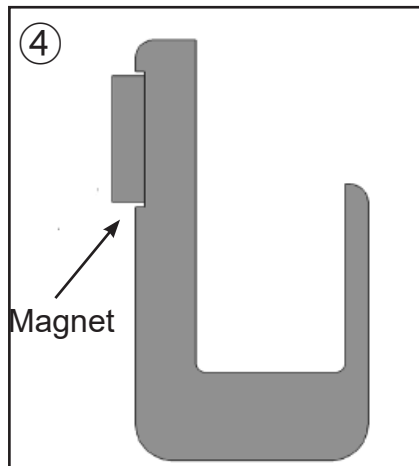
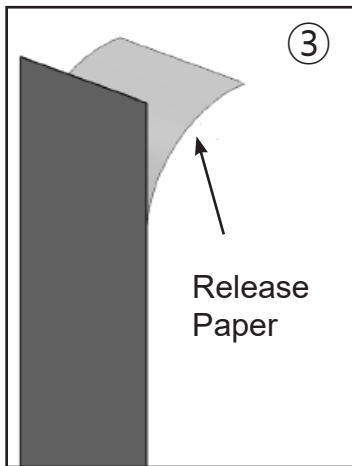
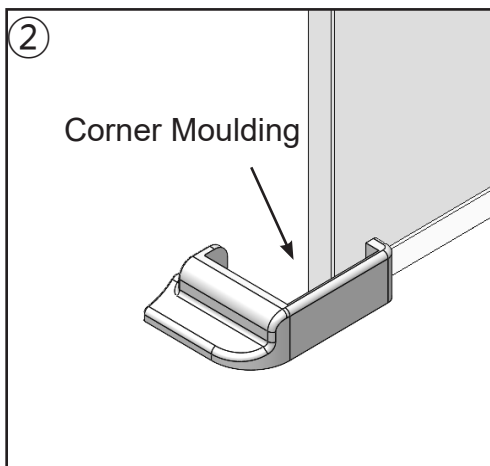
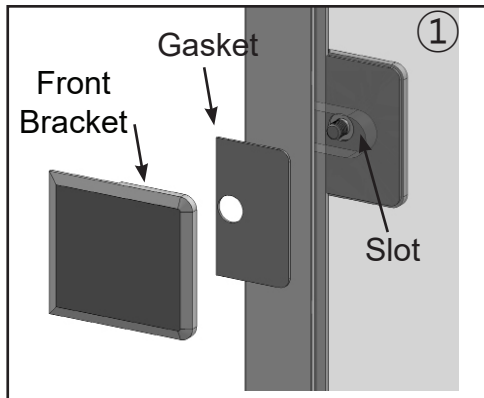
Note: Placing some Masking Tape on the Tiled Wall in the position where the Top Rail Wall Bracket is to go will not only help with marking out but will also help protect the tiles when drilling.



1. Place the Wall Bracket Marker onto the top of the Door Wall Profile and up against the wall. Position it so that the long straight leg is on the outside. Mark the wall through the two holes onto the wall.
2. Drill the wall with a 6mm masonry drill (not supplied). Fit the Wall Plugs and remove any debris.
3. Remove the Masking Tape (if used) then fit the Top Rail Wall Bracket.
4. Dismantle the Panel Wall Brackets and fit onto the Door Panel and Return Panel Glass ensuring that all gaskets are fitted. Ensure that the brackets are fitted the correct way (screws to the inside of the enclosure).
 - **NOTE: The Return Panel Glass has a hole in one corner, this needs to be at the top and to the front.**
 - **IMPORTANT: There is a long and a short side to the "U notch" in the glass, please ensure that the Short Side is at the TOP of the glass.**
 - **IMPORTANT: If you have have purchased a product with a print, please ensure you fit the print on the outside.**
5. Carefully lift the Glass into it's Wall Profile and up to the wall.
6. Mark the wall through the holes in the Brackets using a pencil.
7. Drill the wall with a 6mm masonry drill (not supplied). Fit the Wall Plugs and remove any debris.
8. Remove the Glass. Remove the Wall Brackets from the glass and fasten the inside brackets over the Wall Profiles up to the Wall.

Step 5 - Top Rail and Panels

Note: We recommend 2 people carry out the procedures below.

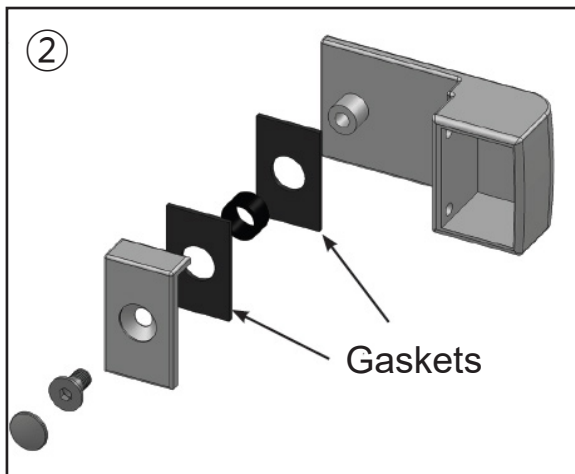
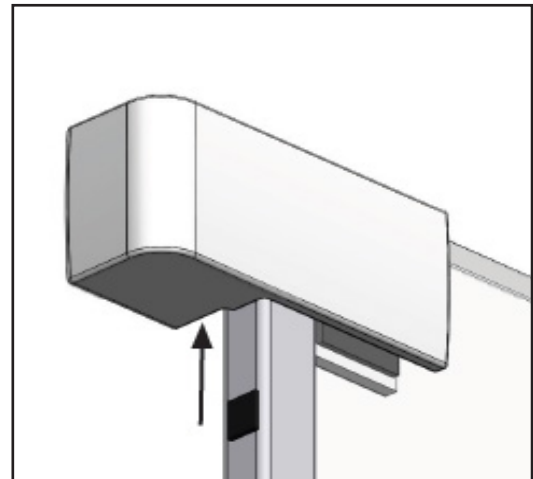
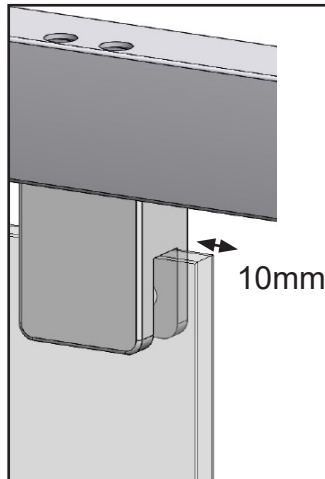
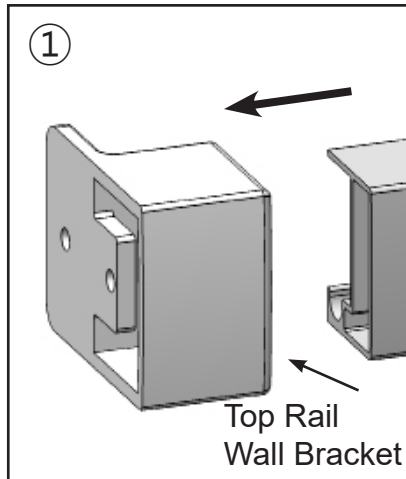


1. Fit the Panel Glass into their respective Wall Profiles and push up to the Compression Tape. Fit the Front Brackets to the Wall Brackets and tighten.
 - **IMPORTANT: If you have purchased a product with a print, please ensure you fit the print on the outside.**
2. If you ARE going to use the Bottom Rail, fit the corner moulding up to the edge of the side panel glass as shown. Make sure all remains parallel.
3. On the Edge of the Return Panel Glass carefully remove the release paper from the prefitted tape.
4. Attach the Magnet Extrusion to the end of the Return Panel Glass, ensure the magnet is on the inside.

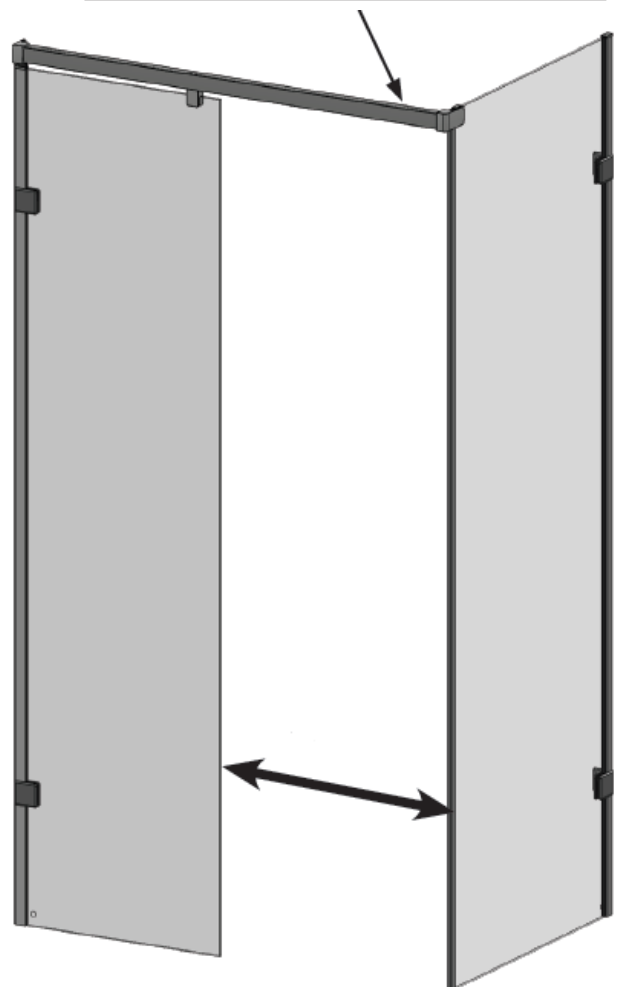
Step 5 (Contd...)- Top Rail and Panels

IMPORTANT: Use the table below for STANDARD PRODUCTS ONLY. If you have purchased a bespoke product then DO NOT USE THE TABLE. To get the "A" dimension measure the width of the Door Glass and add 5mm.

Note: We recommend 2 people carry out the procedures below.



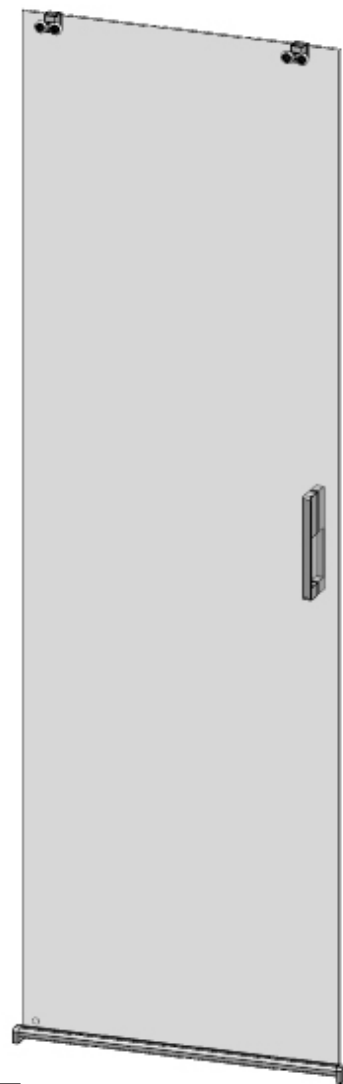
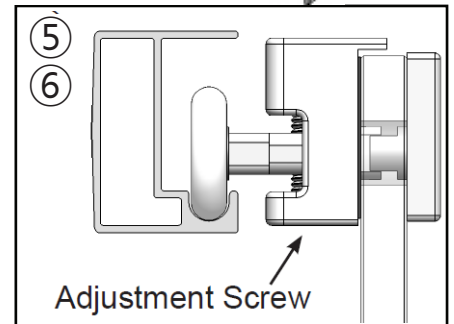
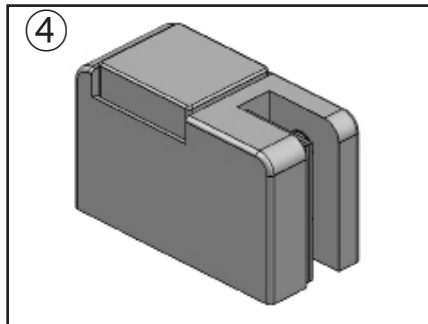
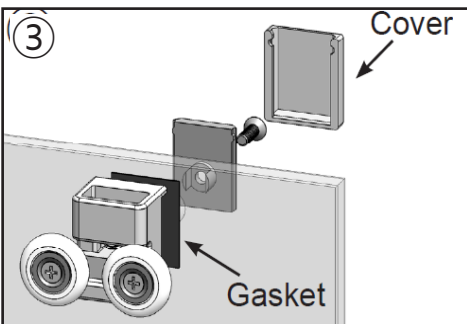
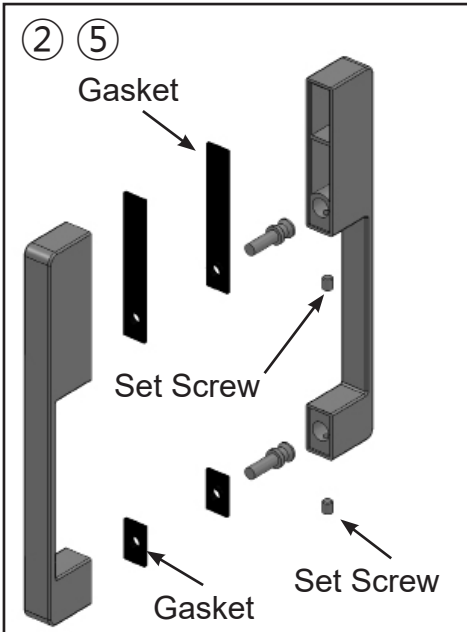
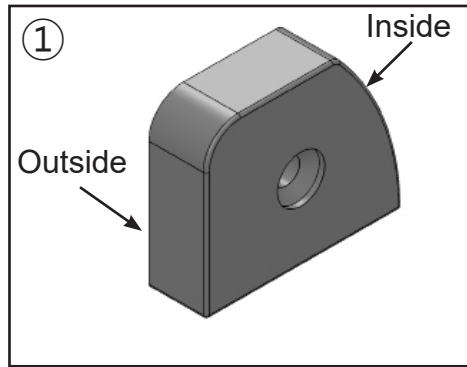
Product Code	Gap Between Panels
KT1D12C / TT1D12C	610mm
KT1D14C / TT1D14C	710mm
KT1D15C / TT1D15C	760mm
KT1D17C / TT1D17C	860mm



- Slide the Top Rail into the Top Rail Wall Bracket and place the Glass Clamp over the Door Panel.
- Fit the Corner Bracket to the Return Panel Glass and onto the Top Rail. Whilst fitting the black spacer between the bracket and magnet extrusion, ensure the gaskets are secure between the metal and glass.
- Make sure the Panels are square then position the Top Rail centrally between the brackets and fasten.
- Adjust the Panel Glass until you have the correct gap "A" for your product. Ensure the Panel Glass is completely vertical and the gap is the same all the way up.
 - NOTE: Dimension "A" is from the end of the Door Panel Glass to the inside of the Magnet Extrusion.**
- Ensure that the Glass Clamp is 10mm away from the Glass Edge as shown then tighten the Glass Clamp screws onto the glass ensuring that the gaskets are in place.
- Place the Branding Badge to the top of the Panel Glass, use a small amount of silicon to keep it in place.

Step 5 - Fitting the Door

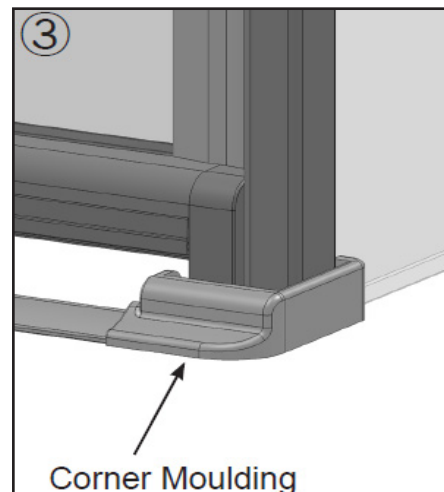
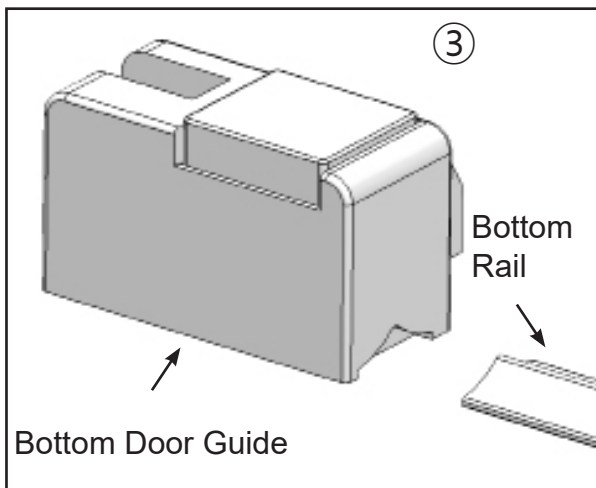
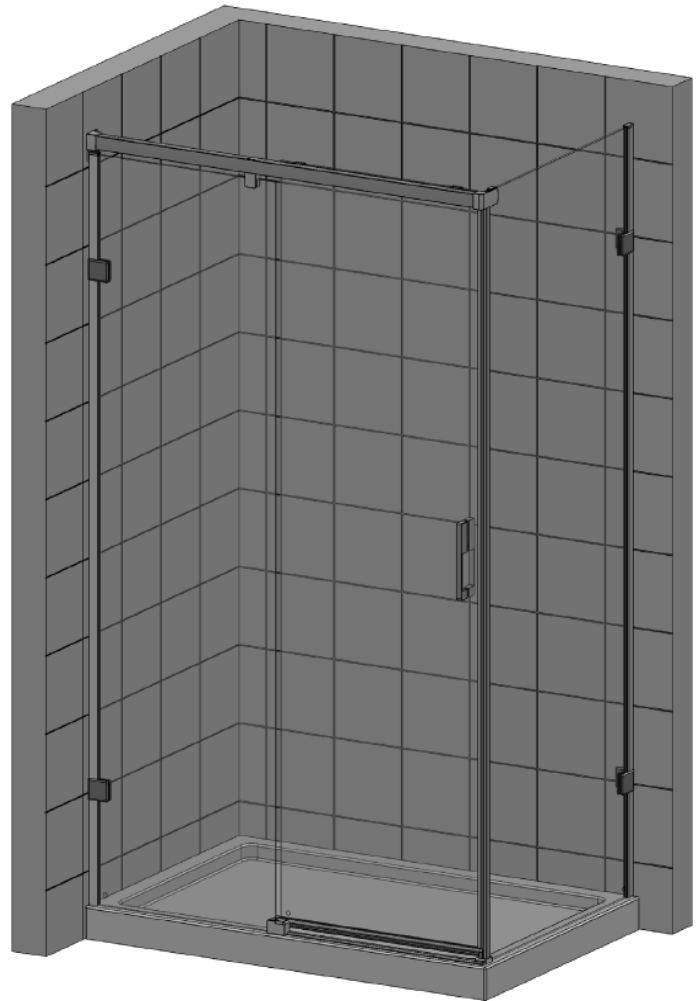
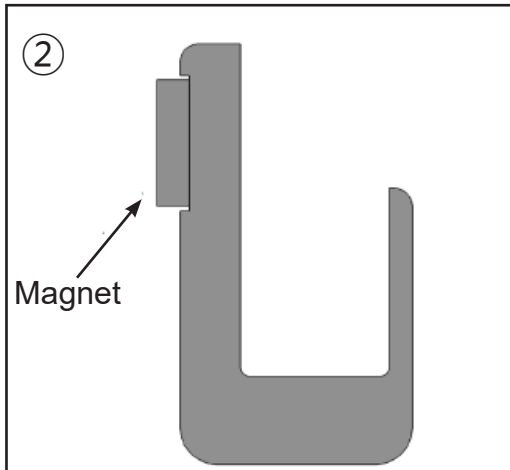
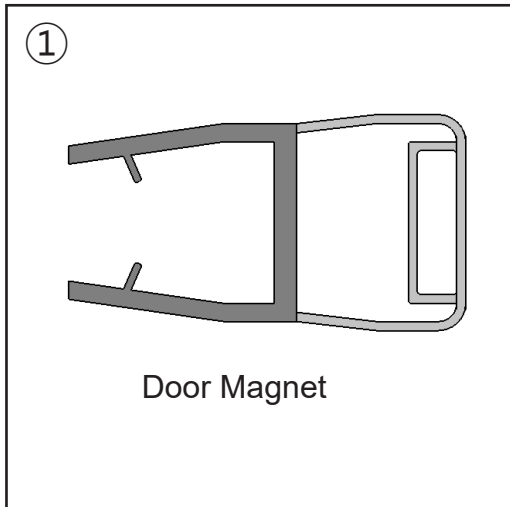
NOTE: We recommend 2 people carry out the procedures below.



1. Place the Door assembly onto a level scratch free surface, ensure you have them the correct way round.
 - **IMPORTANT: The outside of the Door has the flat face of the end mouldings, the inside has the curve.**
 - **IMPORTANT: If you have have purchased a product with a print, please ensure you fit the print on the outside.**
2. Remove the handle from the packaging, using the Allen Keys (supplied) remove the screws and split the handle assembly. Fit onto the door glass ensuring the Set Screws are on the inside of the enclosure.
3. Carefully dismantle the Bearing Assemblies, place the gasket on the outside of the glass (Bearing Side) then re-assemble onto the Door Glass ensuring that the wheels are on the outside of the glass.
 - **IMPORTANT: Fit the Bearing Assemblies to the door using a hand screwdriver only (DO NOT use a Drill).**
4. Fit the Bottom Door Guide onto the bottom of the Panel Glass. Adding or removing the gaskets can help with how the Door hangs.
5. Carefully place the assembled door inside the tray. With the Door the correct way round offer the Bearings into the top Horizontal Rail. When in position carefully lower the Door and press the plunger down on the Door Guide assembly to allow the bottom rail to go over, release the plunger.
 - **NOTE: When fitting, offering the door at a slight angle will make it easier to fit into the rail.**
6. There is a screw in the Bearings for adjustment purposes, adjust as necessary to align the Door.
7. When satisfied with the fitting of the Door fit the Inner Bearing Covers.

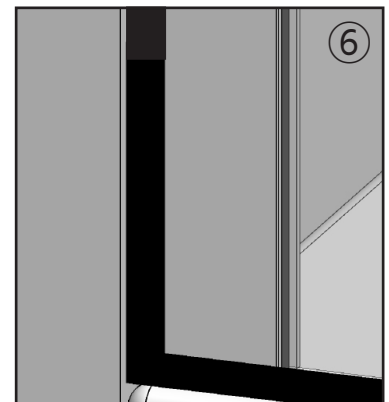
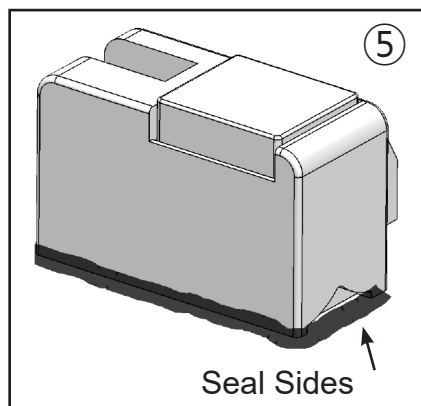
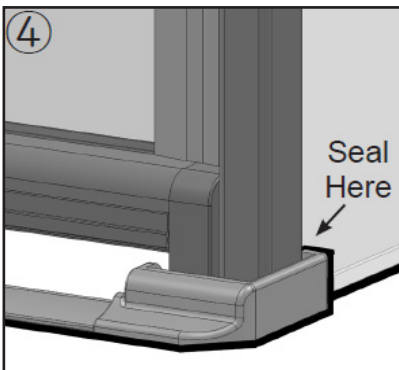
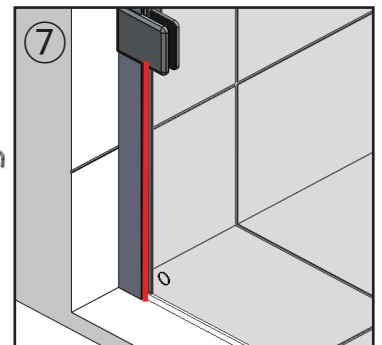
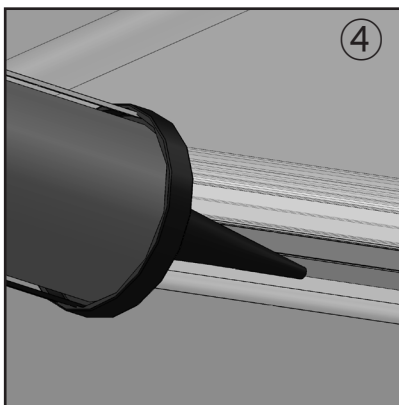
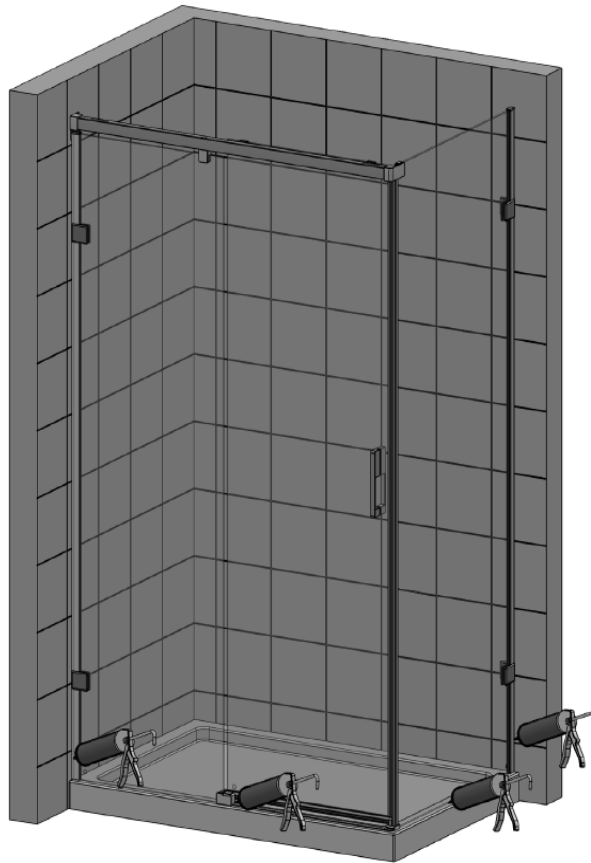
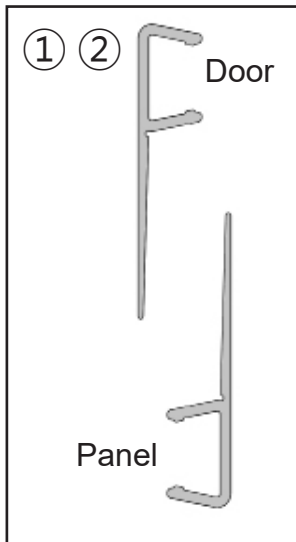
Step 7 - Magnets and Bottom Rail

NOTE: This product can be used with or without the Bottom Rail. We recommend two people do the following.



1. Fit the Door Magnet onto the Door Glass and down onto the end moulding at the handle side.
2. Close the Door and adjust the Return Panel until the Magnets line up, make sure the Door Panel remains parallel to the front of the tray.
3. If you ARE going to use the Bottom Rail then insert it into the Bottom of both the Door Guide and the Corner Moulding, when happy the Bottom Rail is in both Components. Make sure all remains parallel.
4. When satisfied remove the release paper from the underside of the Bottom Rail and stick down.

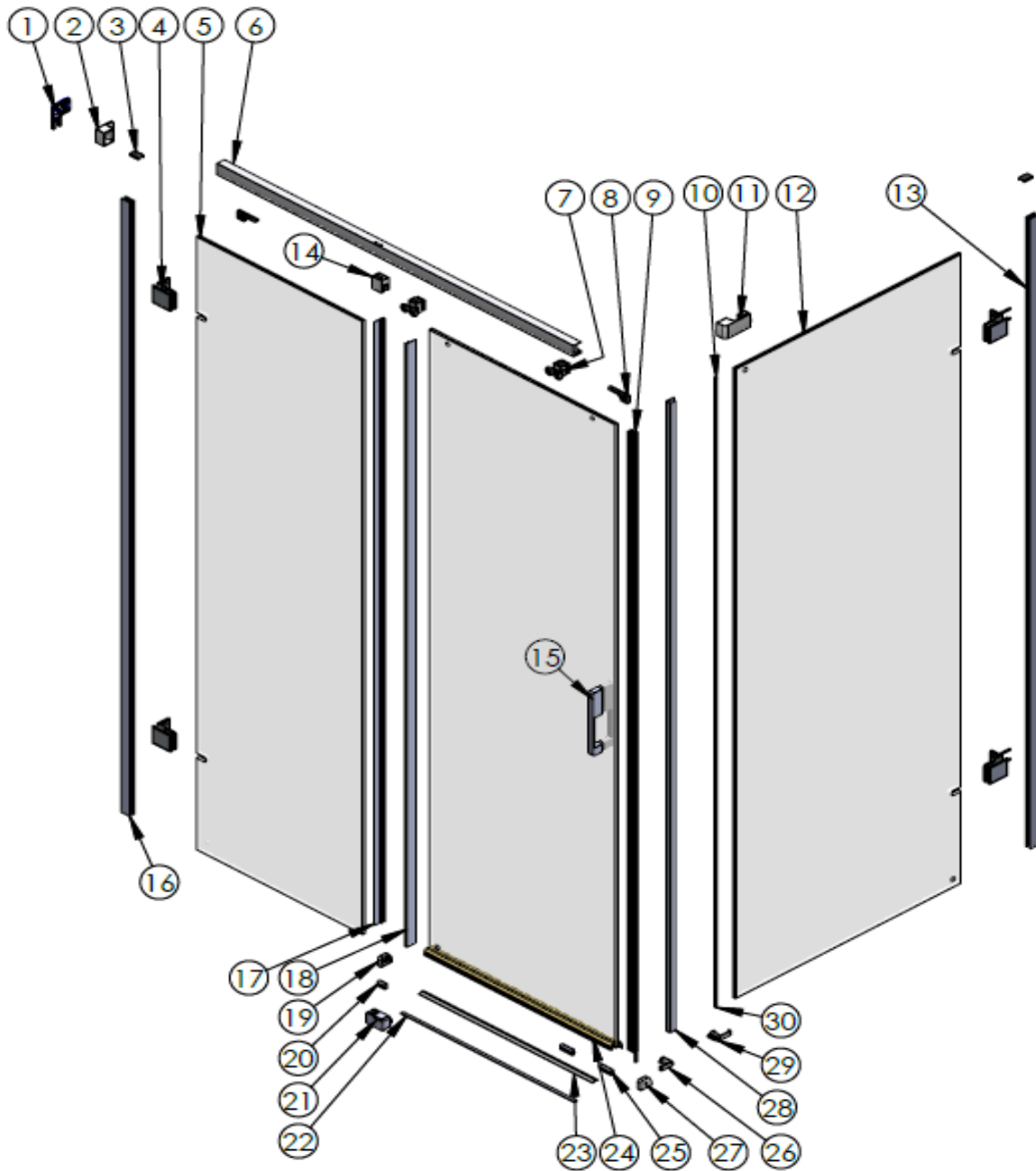
Step 7 - Seals and Sealing



1. Fit the longer Flipper Seal to the outside of the Door ensuring the flipper faces towards the outside making sure that it sits fully down onto the Door Bottom Rail and Moulding.
2. Fit the shorter Flipper Seal to the end of the Panel glass ensuring the flipper faces towards the inside and sits fully on top of the Door Bottom Guide.
3. If you ARE going to use the Bottom Rail then remove the backing from the self adhesive strip from the underside of the Rail. Place one end into the fixed Bottom Door Guide and stick down aligning it with the Magnet Extrusion.
4. If you have used the Bottom Rail seal the base of the enclosure to the top of the tray from wall to wall on the outside only. Seal fully around the Bottom Corner Moulding.
5. If you have chosen NOT to use the Bottom Rail then seal the base to the tray and the sides of the Bottom Door Guides.
6. Seal the Wall Profiles up from the tray on the inside and the outside.
7. From the Bottom of the Tray/Floor, on both Panels (not the Door) Seal up to the first bracket where the glass meets the Wall Profile.
8. Fit all the Top Caps.
 - Do not seal along the base on the inside, failure to comply may result in leakage.
 - **IMPORTANT: Failure to follow stages 4,5,6 and 7 may result in serious water damage and is not covered under the terms of the guarantee.**
 - Please allow 24 hours for the sealant to fully cure before using the enclosure.

Spare Parts

If you need to replace any damaged parts please see illustration below for parts list then call Customer Relations on 01325 328033



IMPORTANT

On ordering Items please state both:

- The finish/colour of your product and;
- Glass thickness (8mm or 10mm)

Part No.	Description	Q'ty	Part No.	Description	Q'ty	Part No.	Description	Q'ty
1	Top Rail Bkt Wall Marker	1	12	Return Panel Glass	1	23	Bottom Rail	1
2	Top Rail Wall Bracket	1	13	Wall Profile (Long)	1	24	Door Assembly	1
3	Wall Profile Top Caps	2	14	Glass Clamp	1	25	Rubber Stoppers (Long)	2
4	Wall Brackets	4	15	Door Handle Assembly	1	26	End Moulding (Right Hand)	1
5	Door Panel Glass	1	16	Wall Profile (Short)	1	27	Corner Moulding (L- Hand)	1
6	Top Rail	1	17	Flipper Seal (Short)	1	28	Magnet Extrusion	1
7	Wheel Bearing Assemblies	2	18	Flipper Seal (Long)	1	29	Corner Moulding (R- Hand)	1
8	Door Stop	2	19	End Moulding (Left Hand)	1	30	Self Adhesive Strip	1
9	Door Magnet	1	20	Rubber Stopper (Short)	1			
10	Self Adhesive Magnet	1	21	Bottom Door Guide	1			
11	Corner Bracket	1	22	Door Guide Seal	1			

TROUBLE SHOOTING GUIDE

Problem	Solution
Leaking	<ol style="list-style-type: none">1. Check the tray is sealed correctly along the tiled walls prior to installation.2. Check that the inside gap between the Tray and Wall profiles has been sealed correctly.3. Check the base of the enclosure is sealed on the outside only.4. Check that a bead of sealant the width of the Wall Profile has been applied.5. Check all the seals have been cut and positioned correctly.6. Has the Bottom Rail been fitted, if not then fit for better water integrity. <p>Important: This enclosure should be water tested conforming to BS EN 14428</p>
Enclosure Alignment on the Tray	<ol style="list-style-type: none">1. Is the enclosure fitted onto a tiled wall?2. Are both Wall Profiles set in by the same amount?3. Are the Wall Profiles completely vertical?
Doors not running Smoothly	<ol style="list-style-type: none">1. Ensure both Wall Profiles are completely vertical.2. Ensure the tray is completely level.3. Check the Bearings have been adjusted correctly.
Door Alignment	<ol style="list-style-type: none">1. Ensure both Wall Profiles are completely vertical.2. Ensure the tray is completely level.3. If the door is not aligned correctly, you have adjustment in the top wheel assemblies.4. The Door Magnets can be moved off the Door Glass slightly to correct any gaps.

Some important information to help you Maintain your product.

The following information is all you need to keep your product looking new.

Clean your product using a mild detergent diluted in water and then polished off using a soft cloth. If you live in a hard water area, periodically clean your product using a 50/50 solution of white vinegar and water. The solution should be left on the enclosure for approximately 5 minutes then rinsed off using warm water. This method of cleaning should remove lime scale residue.

Simple Maintenance

Our products are generally maintenance free, however it may be necessary to lubricate wheel assemblies and other moving parts from time to time.

It is strongly recommended that a quality silicone spray is used.

A list of Don't's:

1. Don't use acidic based products which are unsuitable for cleaning enamel surfaces.
2. Don't use abrasive cleaners or cleaners using bleach or solvents, these products will adversely affect the finish of the aluminium profiles.
3. Don't use scouring pads, powder or any sharp instruments when cleaning the enclosure.

Should you experience any problems during installation please refer to the Trouble Shooting Guide or contact Customer Relations on:

+44 (0) 1325 328033

To enable customer relations to provide you with an excellent level of service it is important that you quote your product Code and Reference Number - these can be found on the Guarantee card.