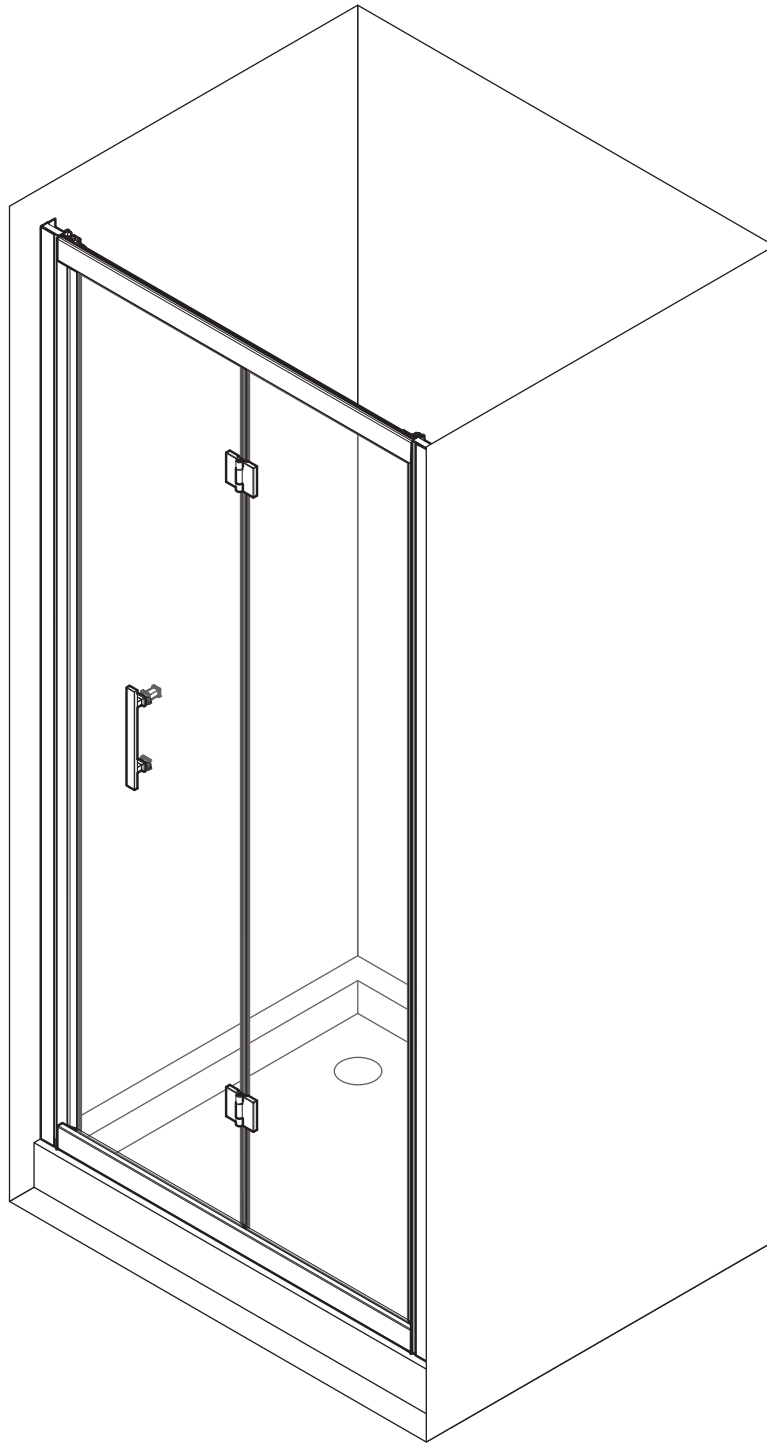
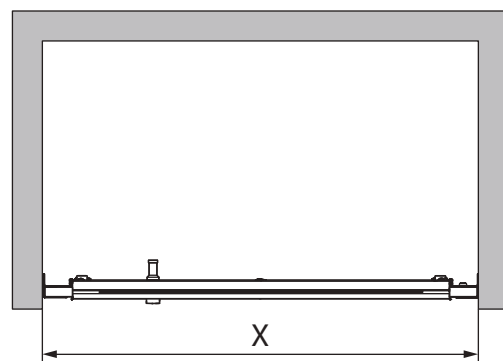
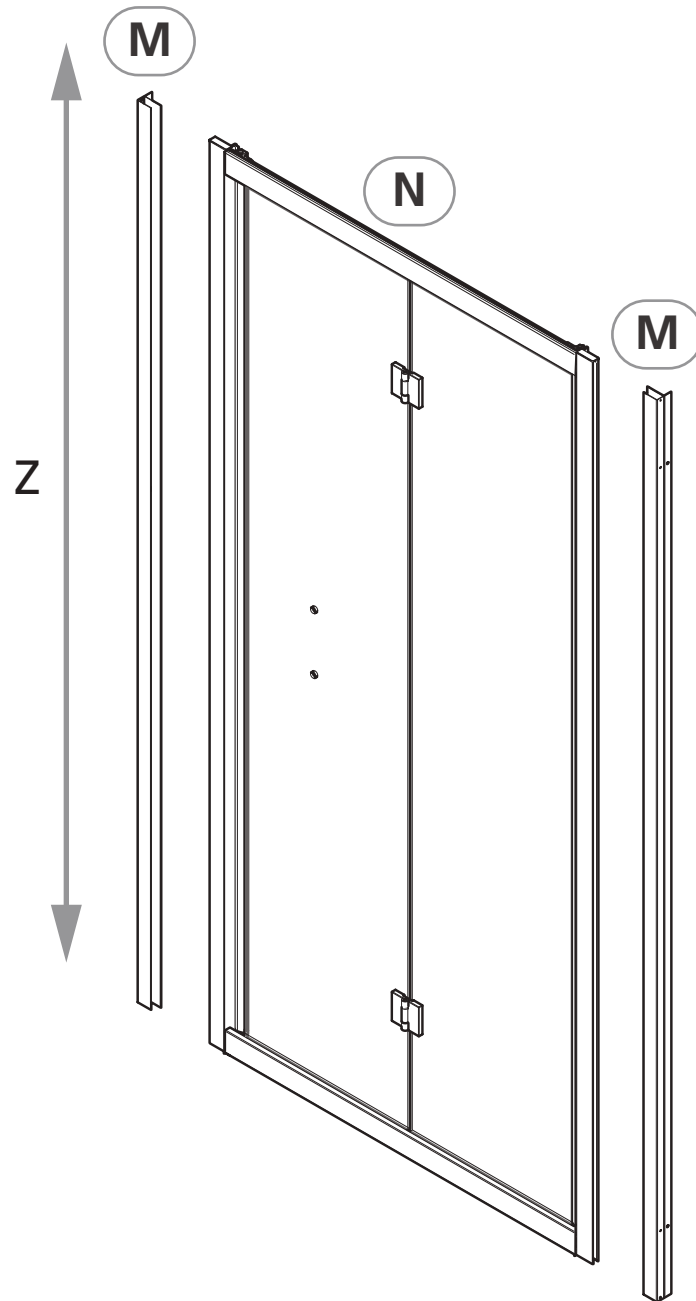


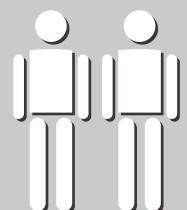
# ZEPHYRO S

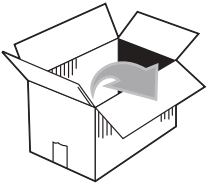
# S



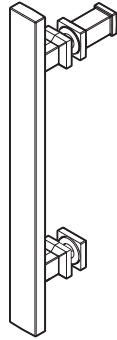



S66	X=66-72 cm	Z=195 cm
S72	X=72-78 cm	Z=195 cm
S76	X=76-82 cm	Z=195 cm
S86	X=86-92 cm	Z=195 cm
S96	X=96-102 cm	Z=195 cm

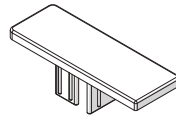




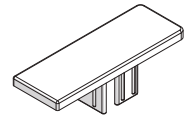
**B1**



**B2**

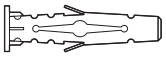


**B3**



**C1**

x4



**C2**

x4



4X35 mm

**C5**

x4



3,5x9,5 mm

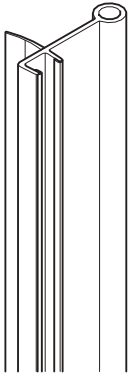
**C6**

x6



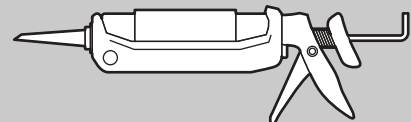
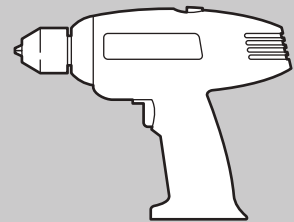
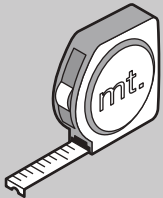
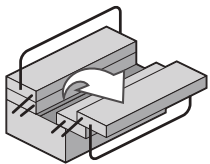
**D1**

x1

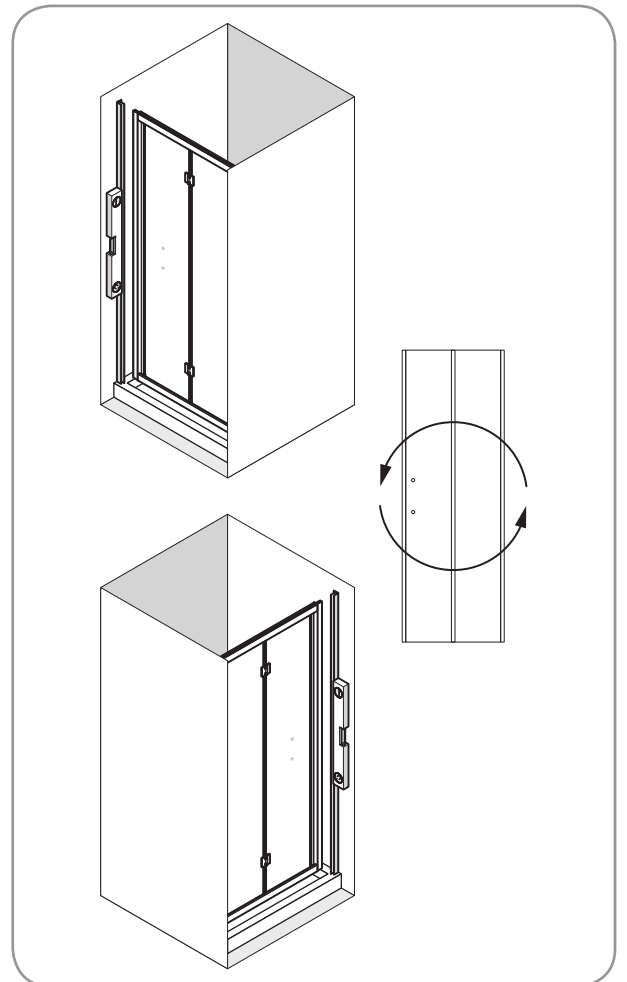
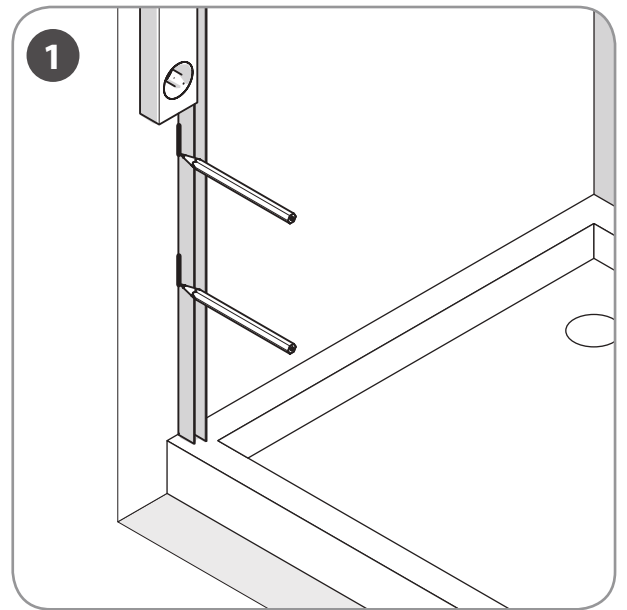
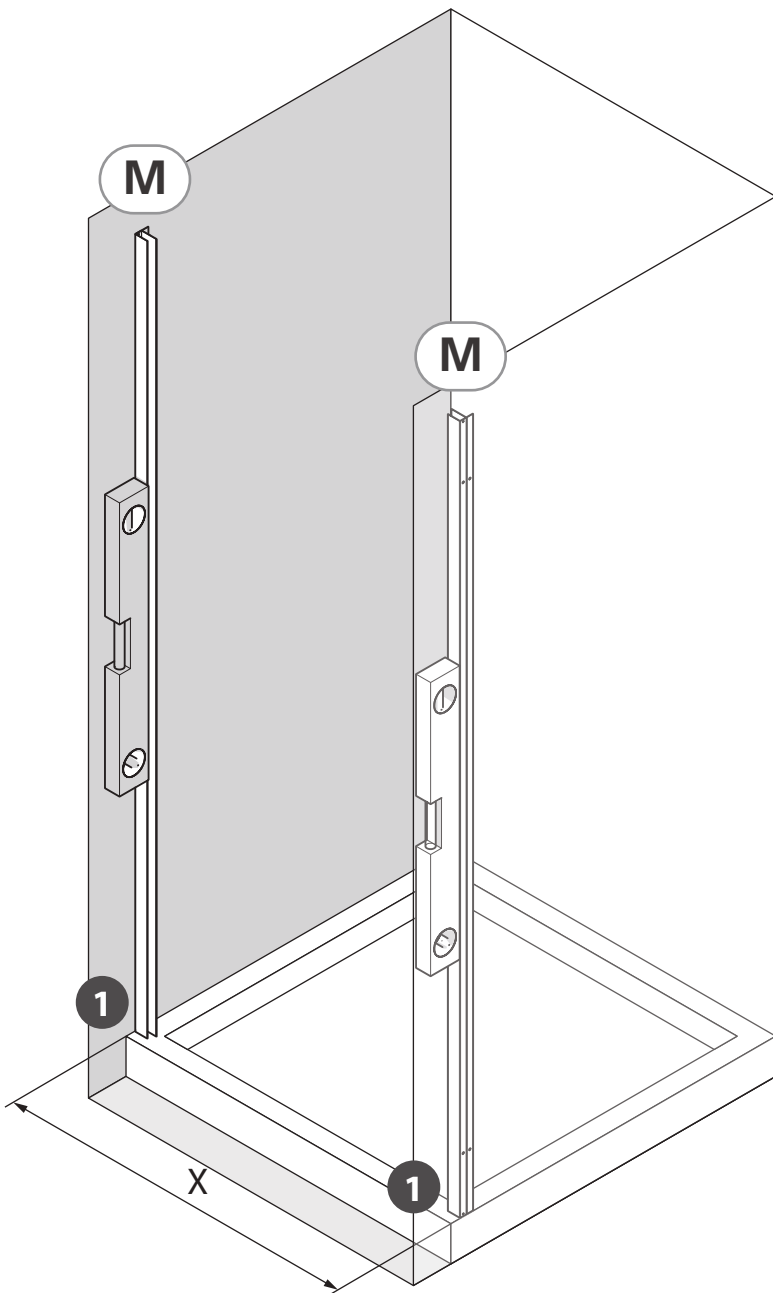


**D2**

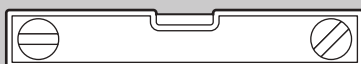
x2



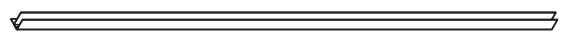
# 1



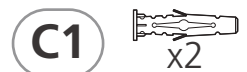
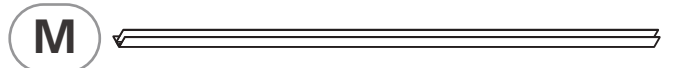
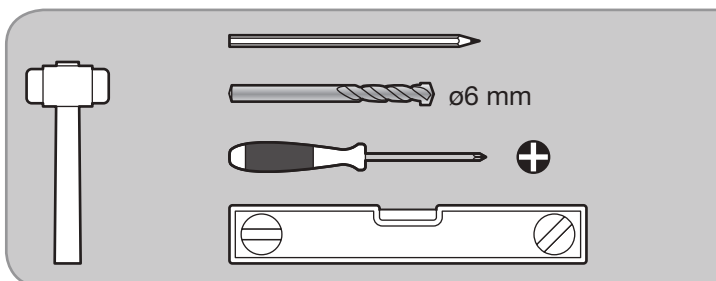
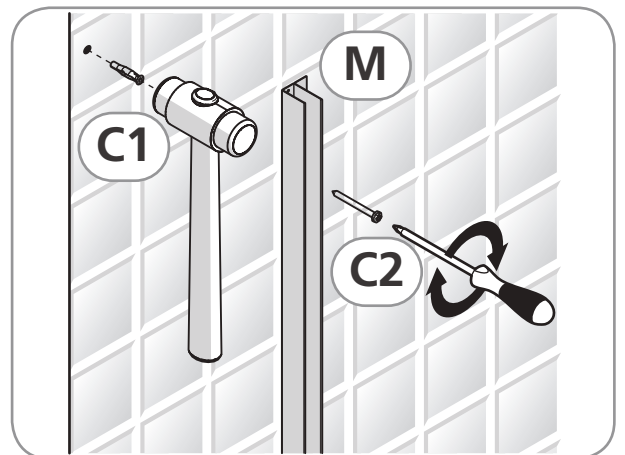
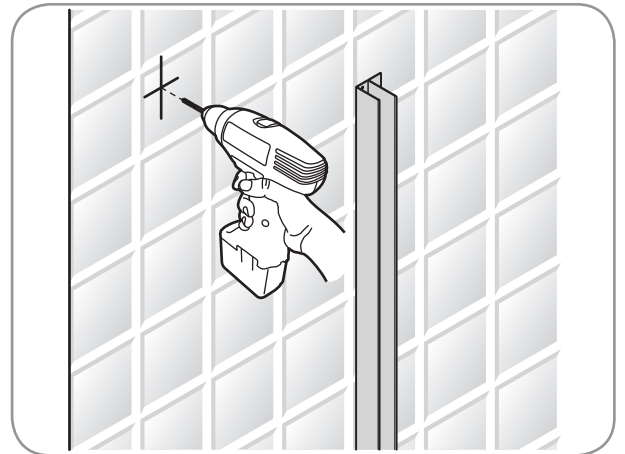
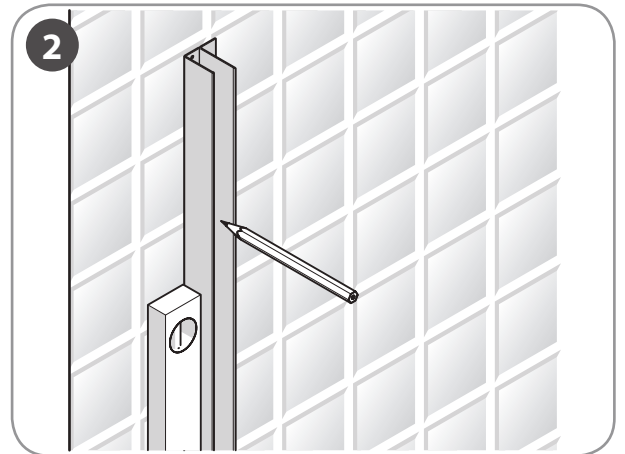
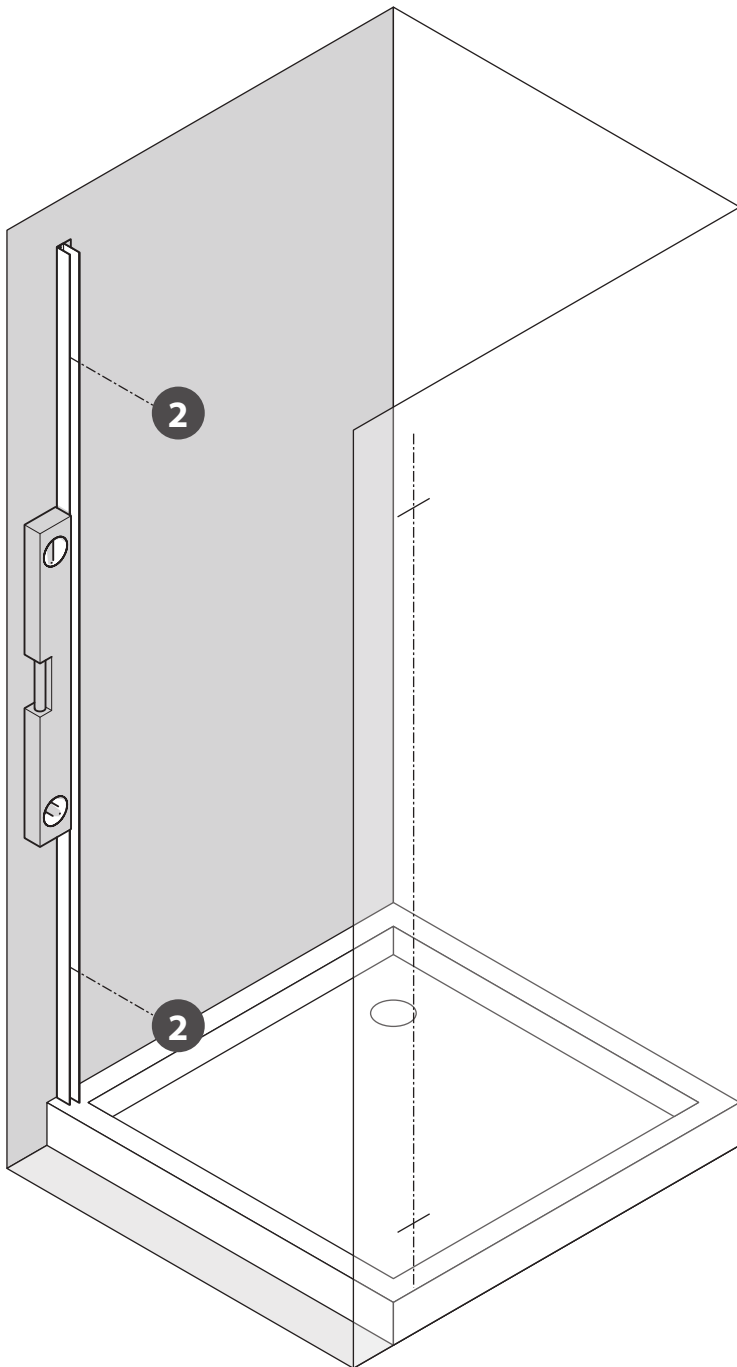
- |     |             |
|-----|-------------|
| S66 | X=66-72 cm  |
| S72 | X=72-78 cm  |
| S76 | X=76-82 cm  |
| S86 | X=86-92 cm  |
| S96 | X=96-102 cm |



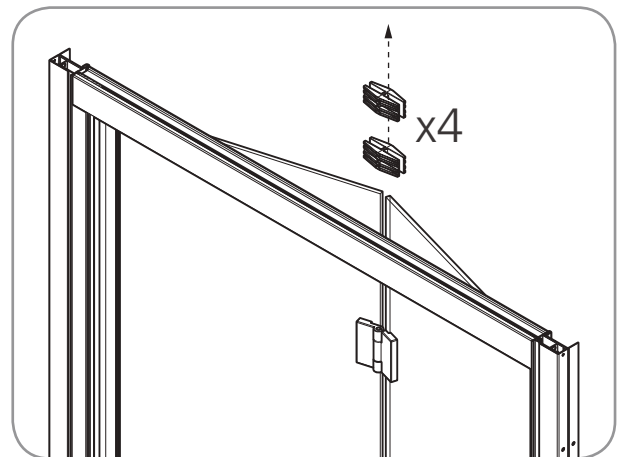
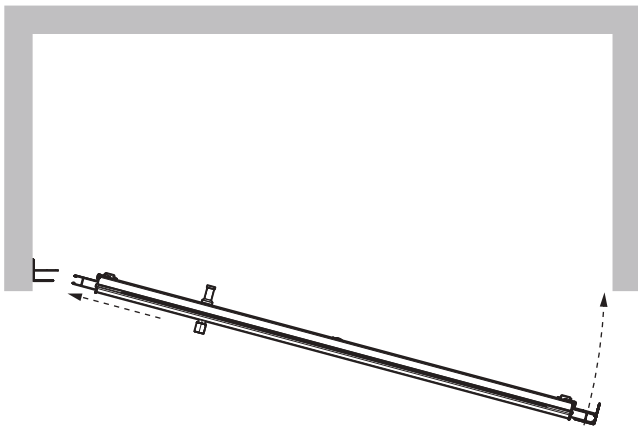
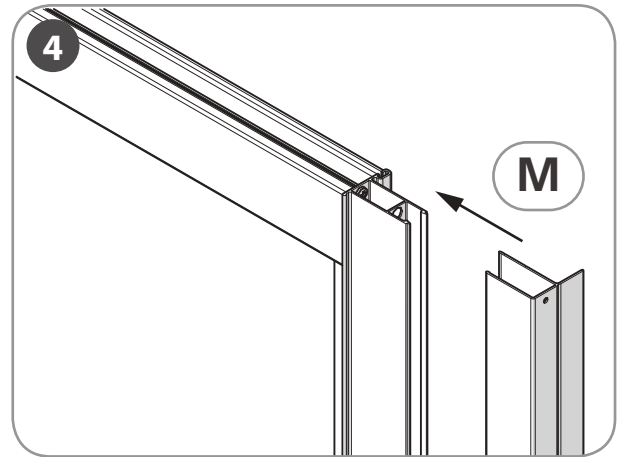
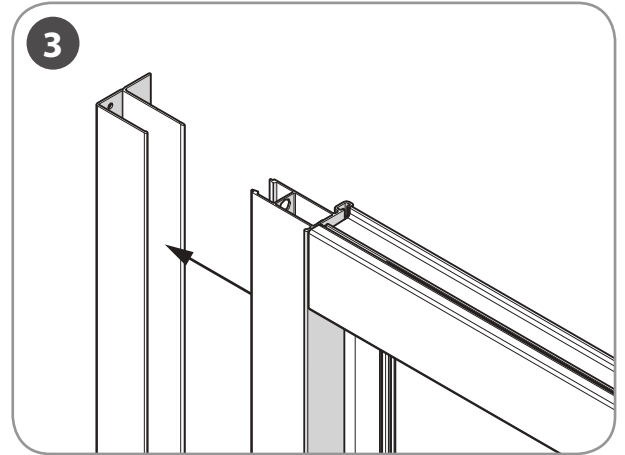
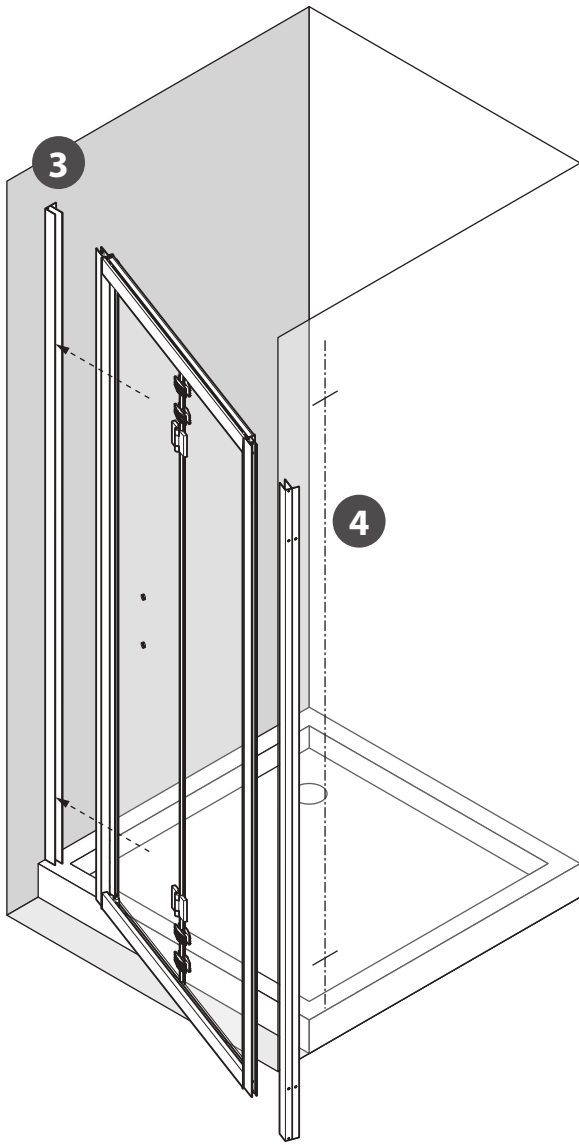
**M**

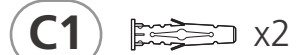
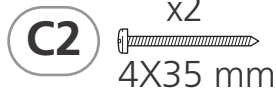
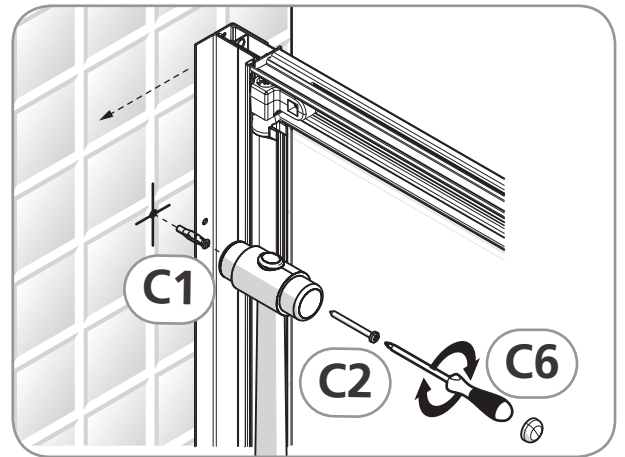
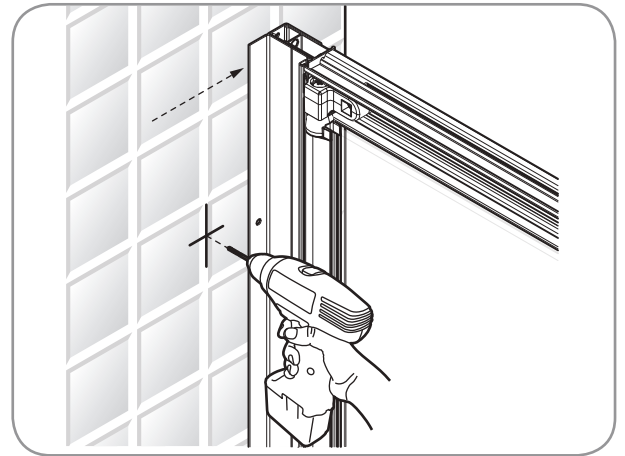
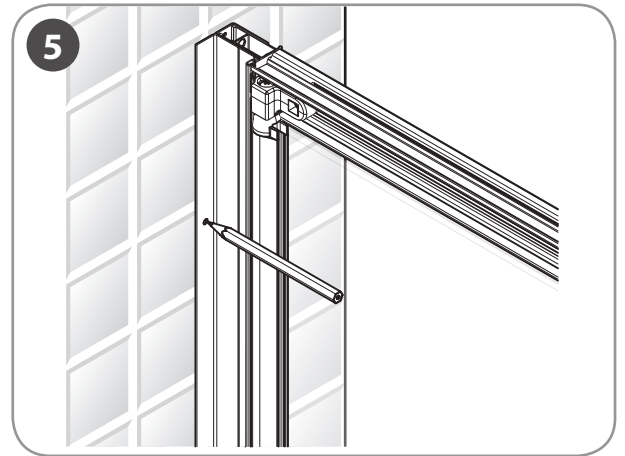
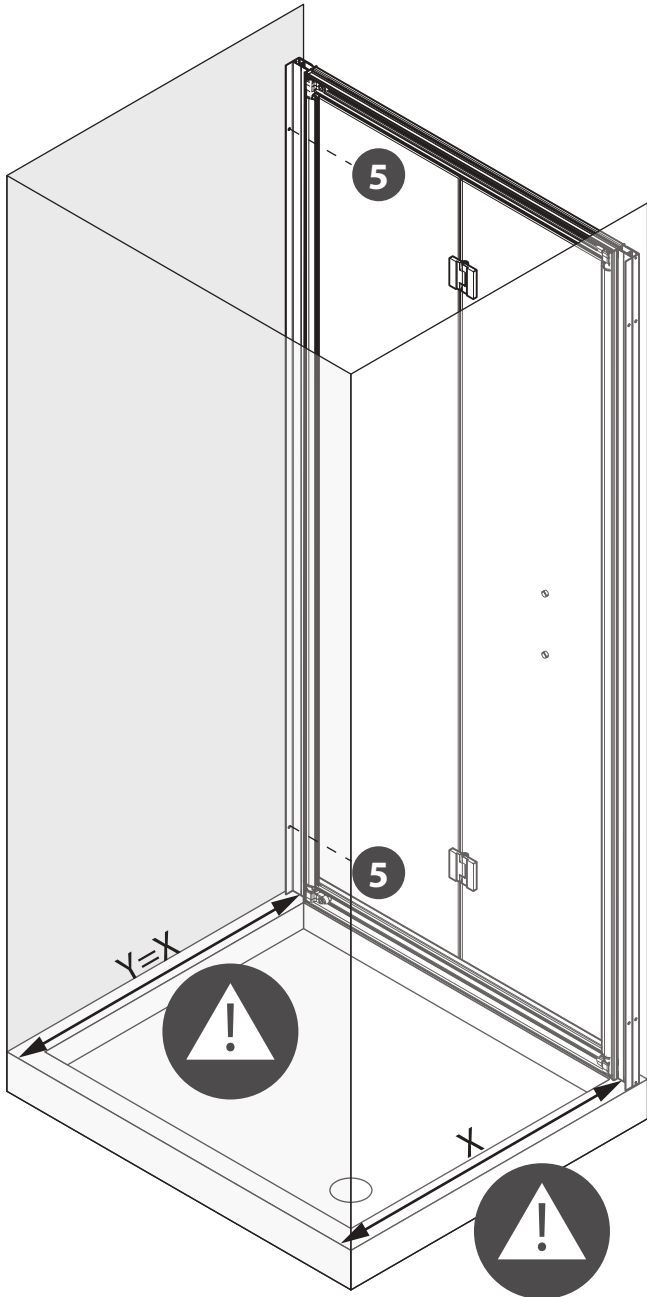
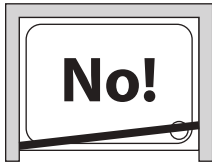


x2

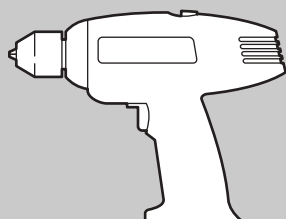
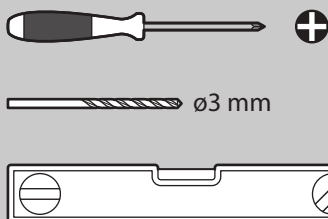
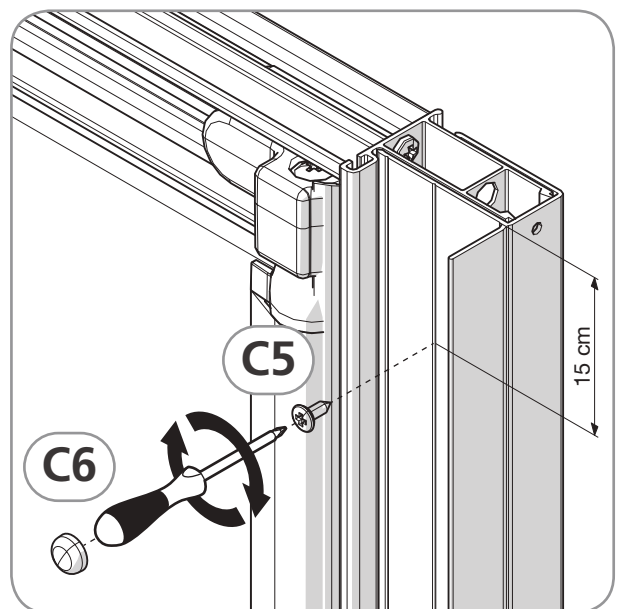
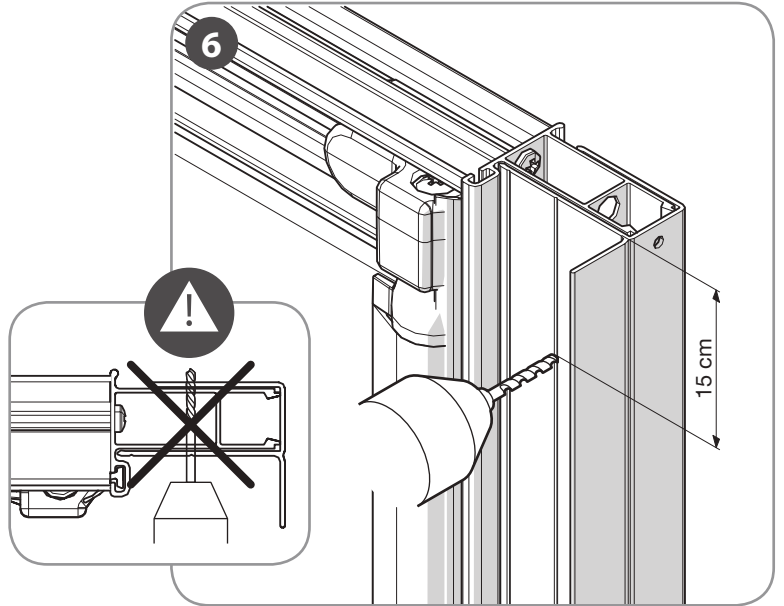
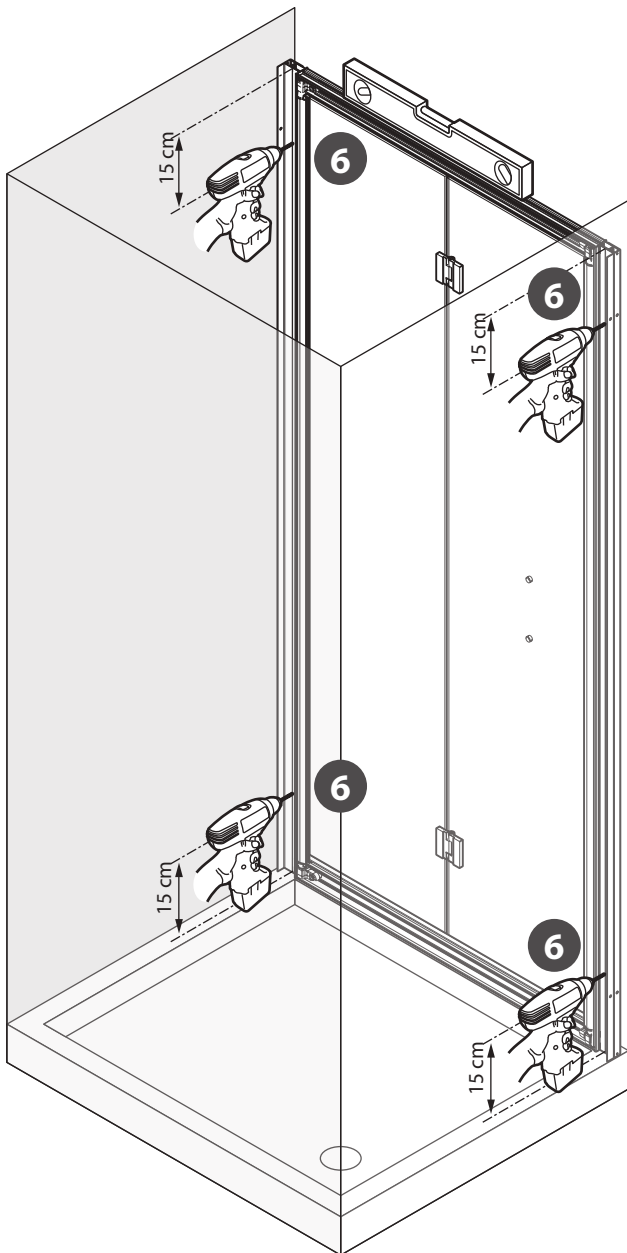
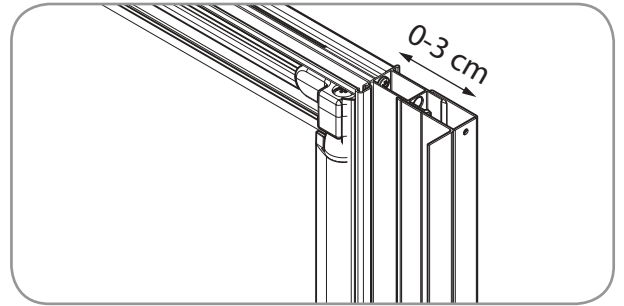
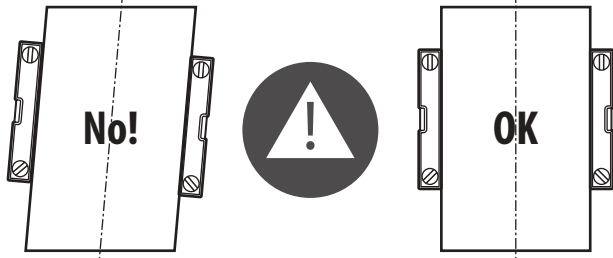



3






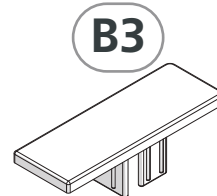
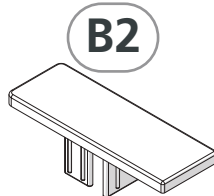
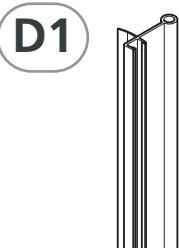
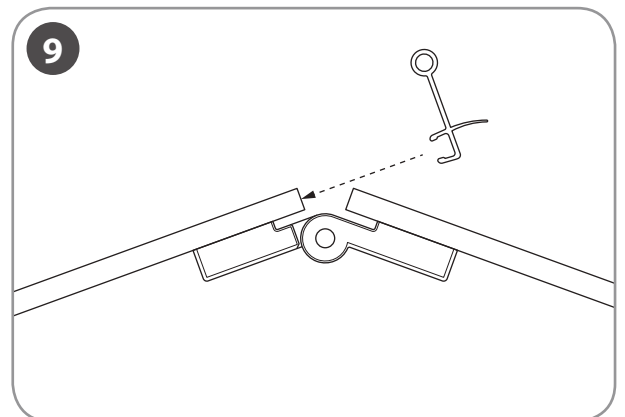
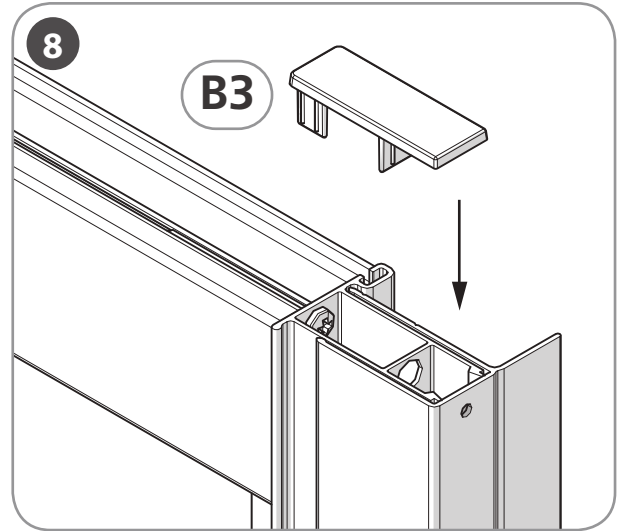
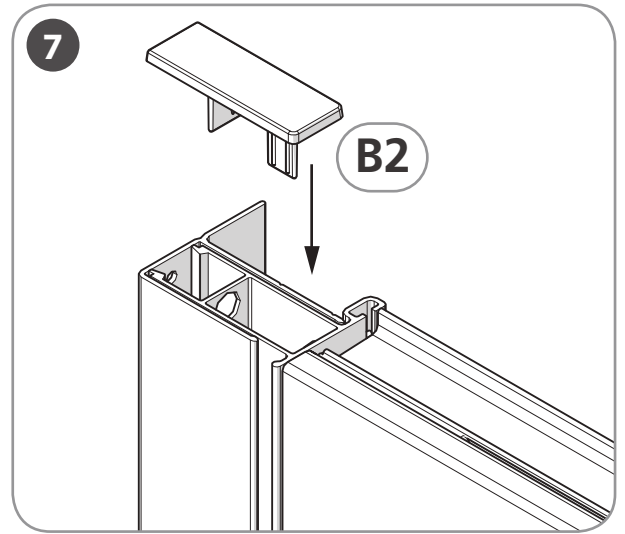
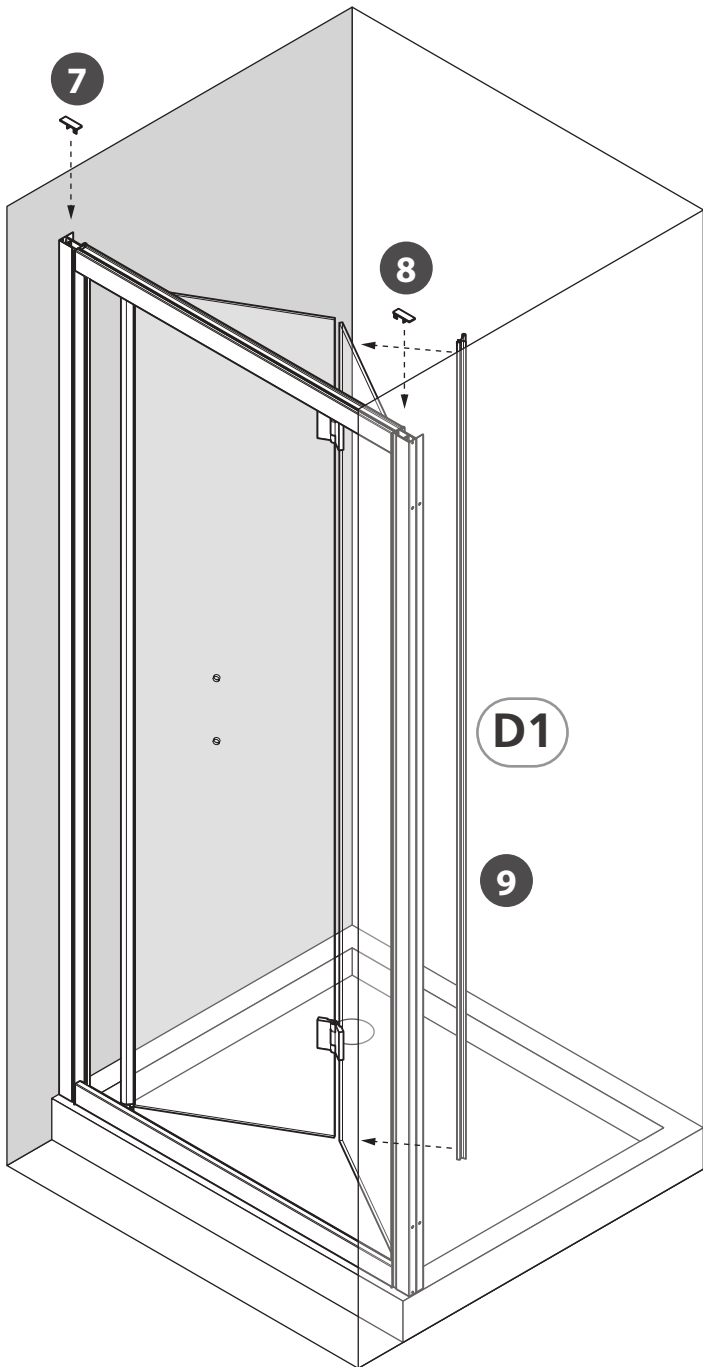
# 5



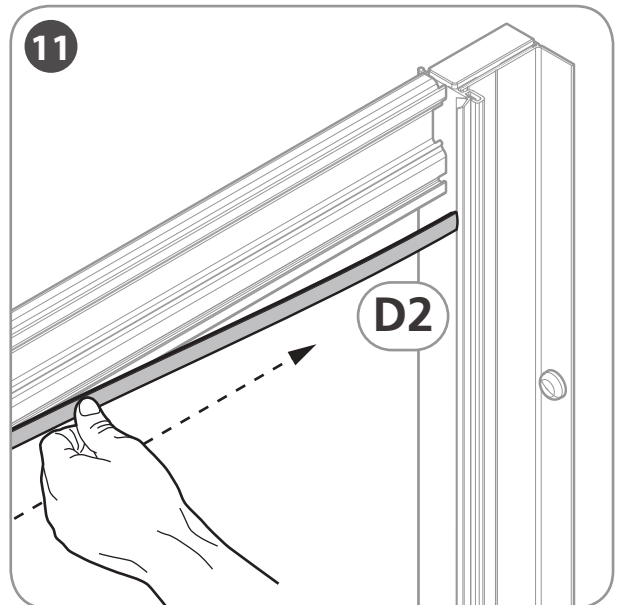
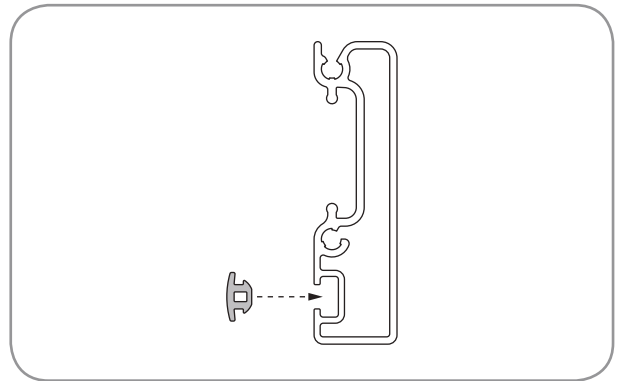
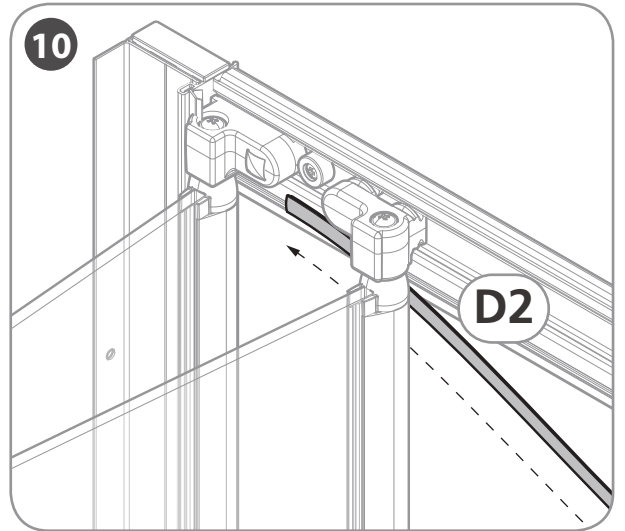
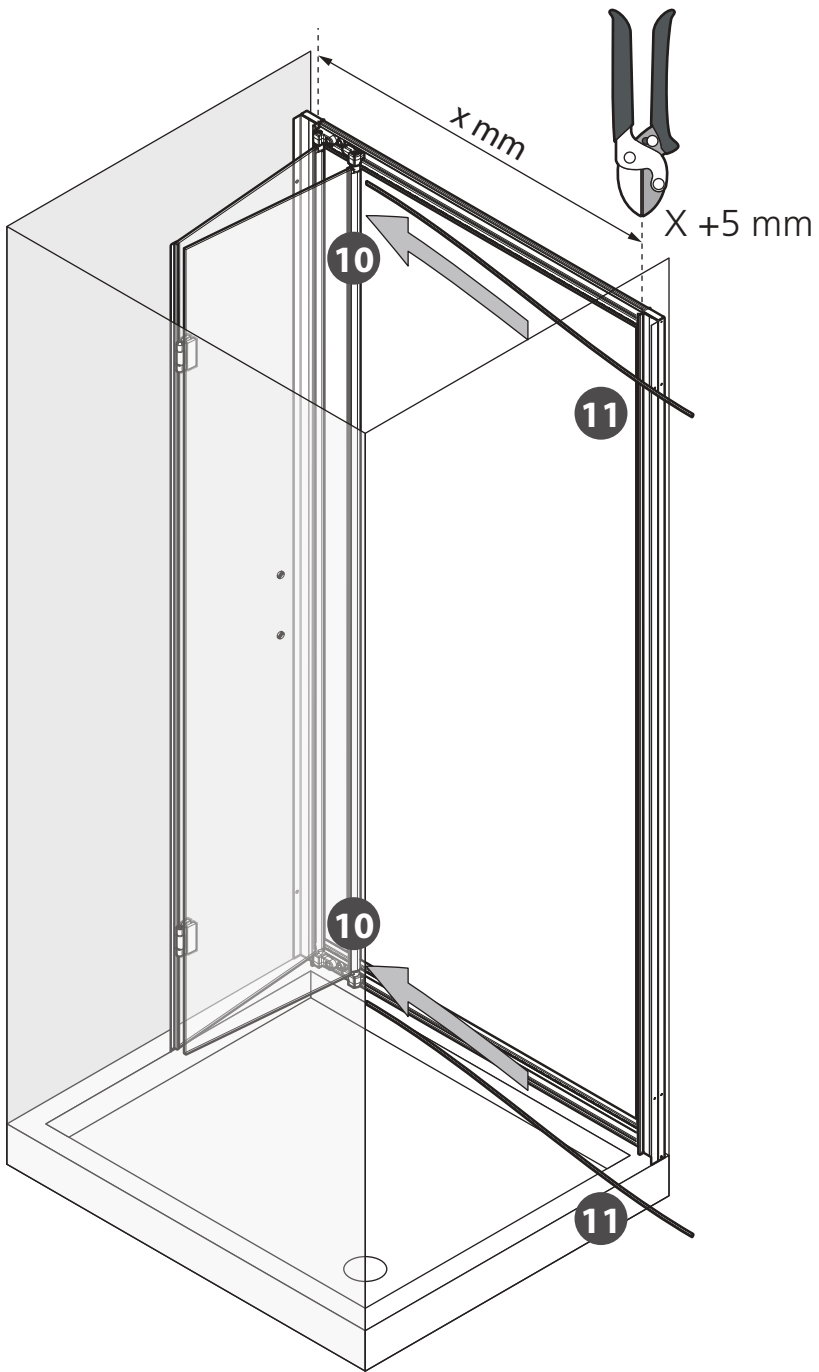
**C5**   
3,5x9,5 mm  
x4

**C6**   
x4

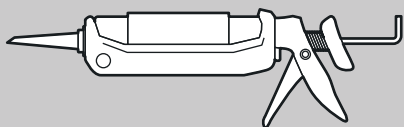
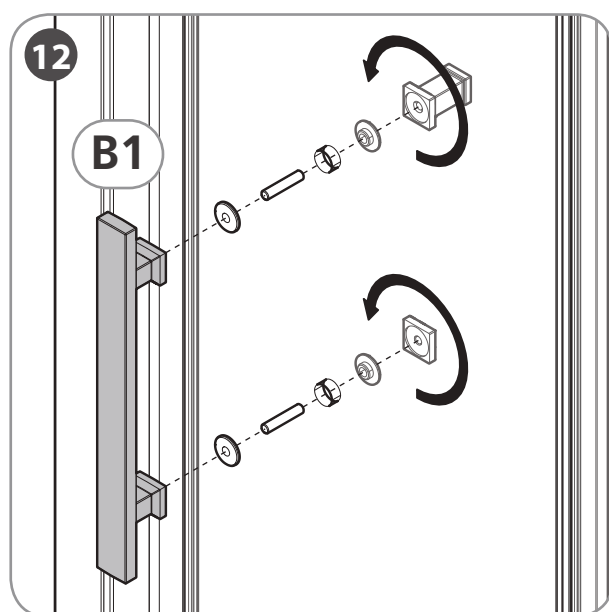
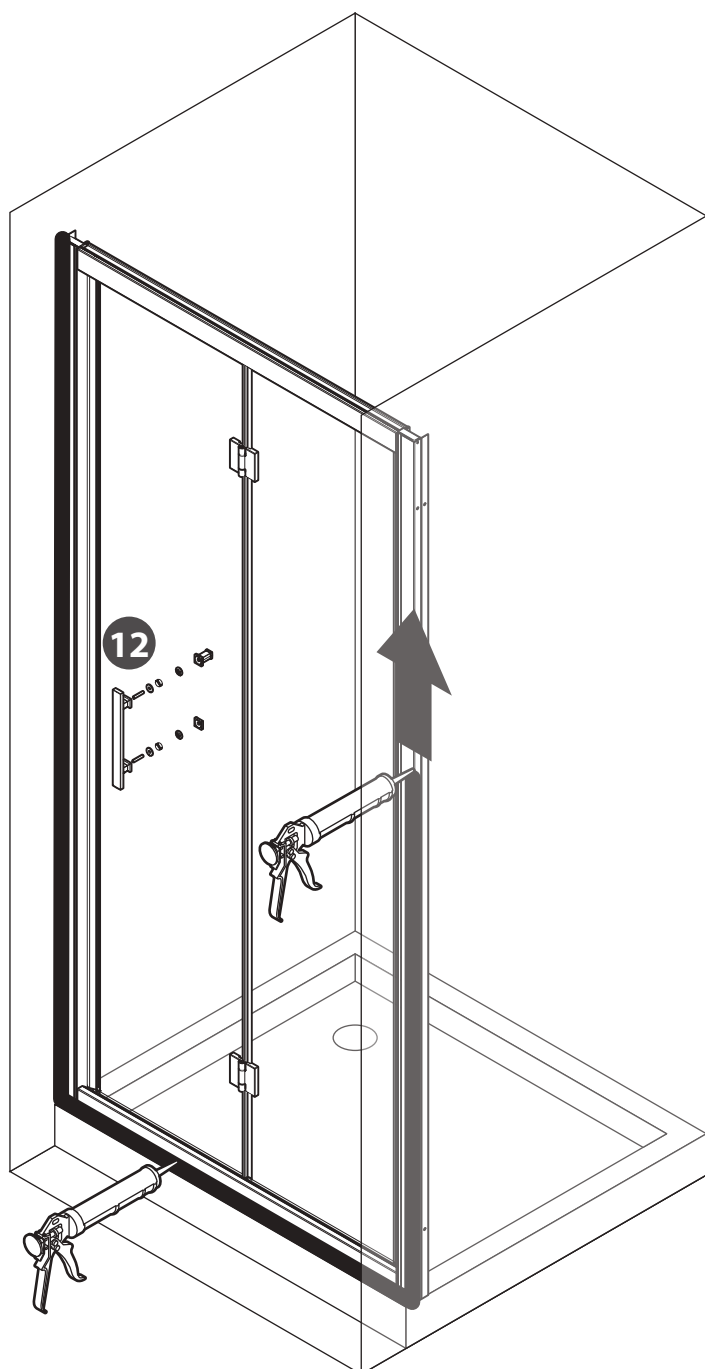




7



D2 x2



B1

