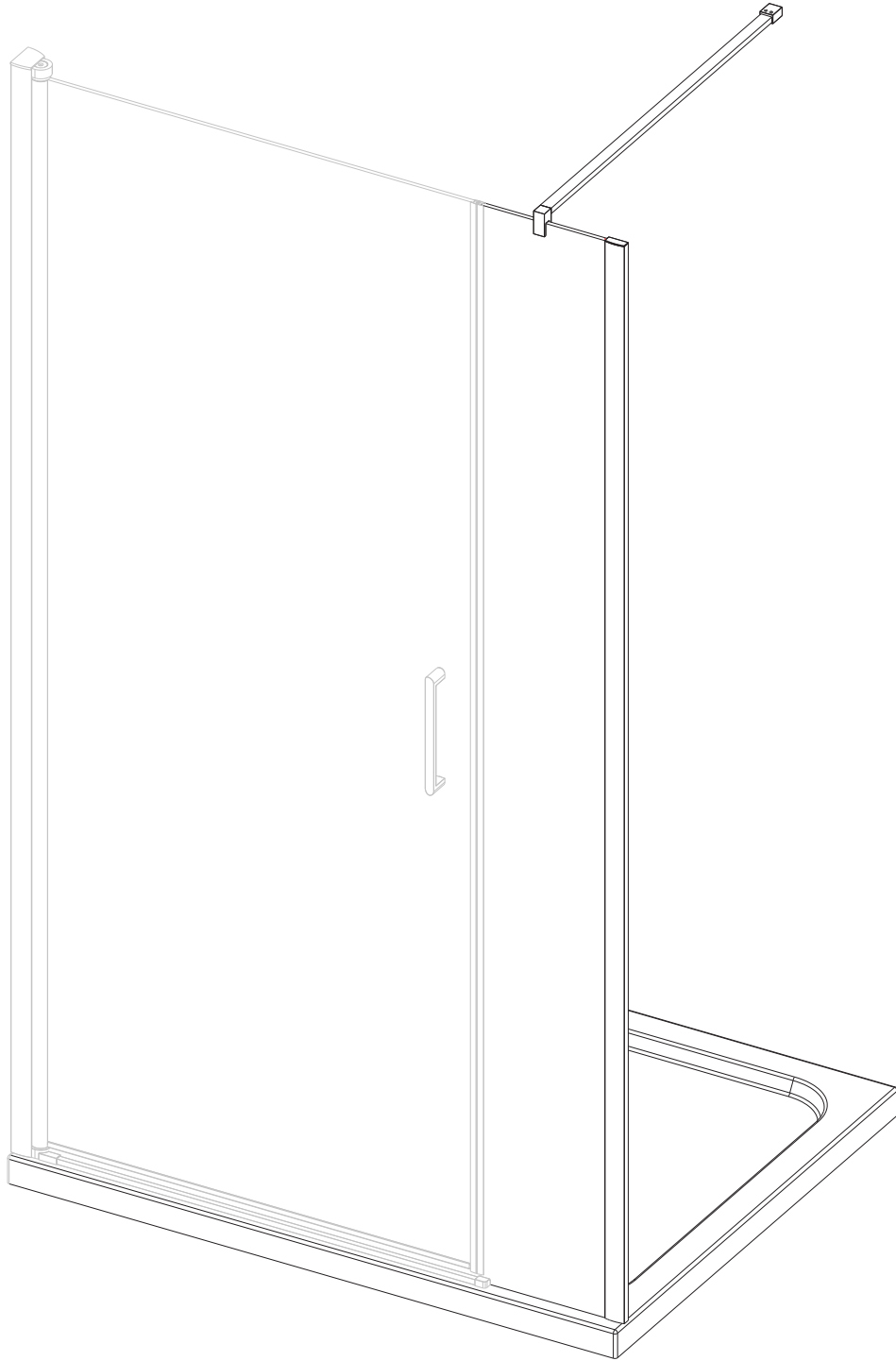


# MERLYN 8 | series FRAMELESS

## Installation guide for inline panel



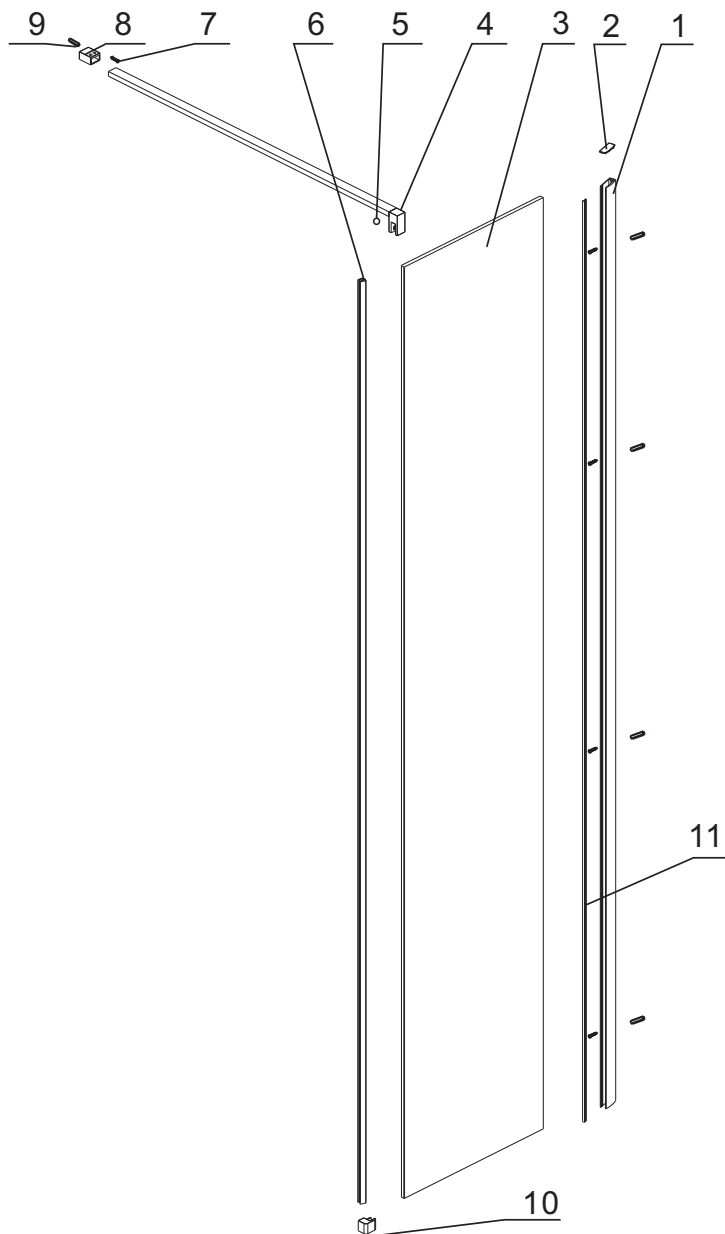
**IMPORTANT :**  
**Please read the complete instructions  
before commencing fitting.**

Do not attempt to install the product unless you can tick all 4 boxes satisfactorily.

- **Check that you have the tools required**
- **Check the installation site is compatible with  
the sizes of door supplied**
- **Check all the enclosure components are present**
- **Check the installation kit is complete**

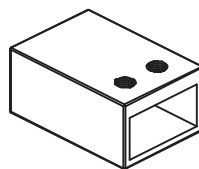
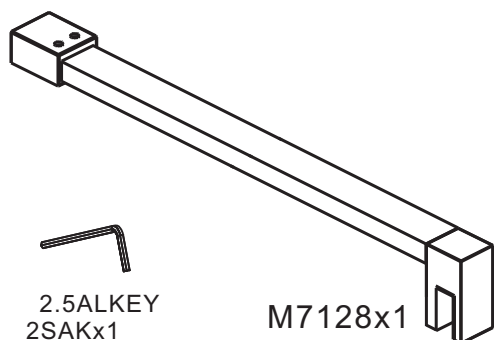
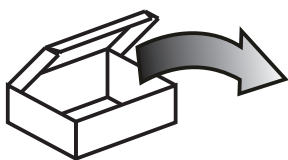
The wall plugs supplied with the installation kit are for use in solid walls. Hollow or 'stud partition' walls will require alternative fixings. Please consult a hardware supplier for the correct type. It may also be necessary to consult your tiling supplier about the correct method for drilling your tiles.

**ATTENTION: TAKE EXTREME CARE WHEN  
HANDLING GLASS, WEAR PROTECTIVE EYEWEAR  
AND CLOTHING. DO NOT LEAVE THE GLASS ON  
HARD SURFACES AND AVOID CONTACT BETWEEN  
THE GLASS EDGES AND HARD SURFACES OR  
IMPACTS DURING THE INSTALLATION.**



No	Description	QTY	Part No.	No.	Description	QTY	Part No.
1	Wall profile	1	M7142	6	Magnet seal	1	M7130
2	Wall profile top capL/R	2	M7144/M7145	7	Flat head screw ST4x30	5	2SY51
3	Glass Panel A	1	A	8	Wall bracket	1	M7127
4	Top support bar with glass clamp	1	M7128	9	Φ6x30 wall plug	5	B08070
5	Screw cap	1	M7012	10	Bottom strip corner clip(L&R)	2	M7147/M7148
				11	Wedge seal	1	M7143

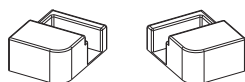
## Fixing kit components



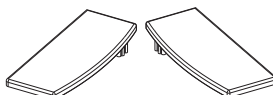
4x30mm



B08070x5

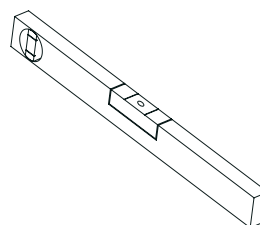
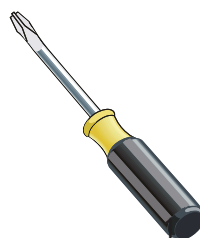
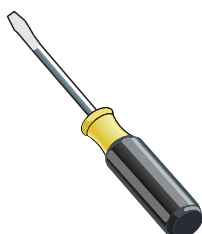
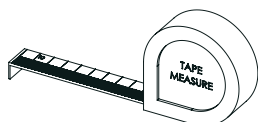
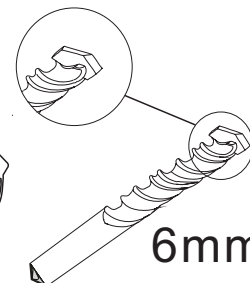
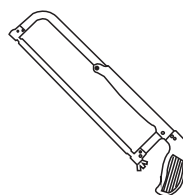
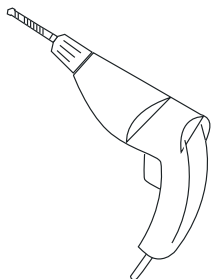
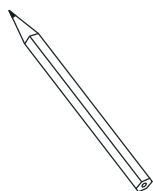


M7147/M7148 x2



M7144/M7145 x2

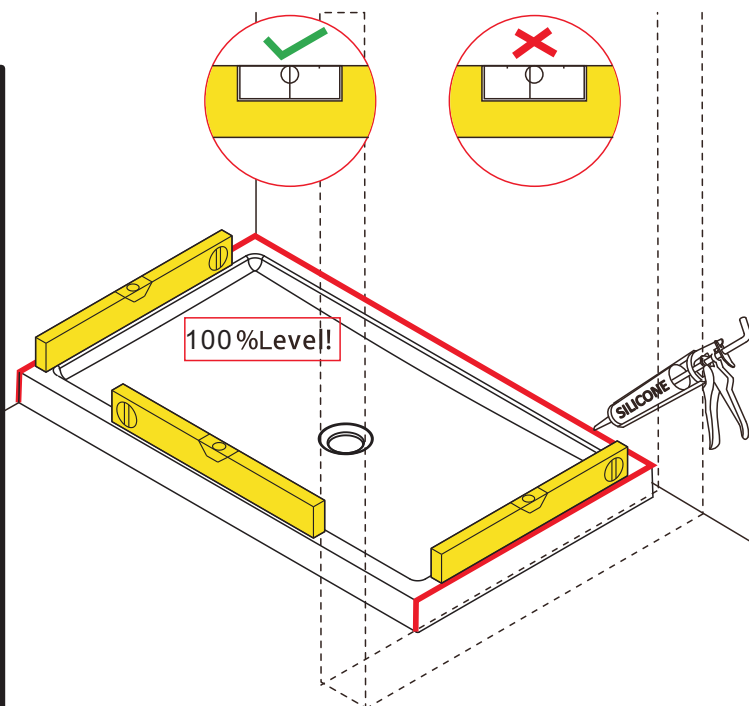
## Tools required



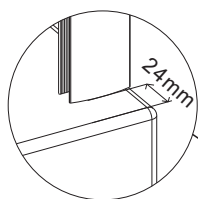
1

Ensure the shower tray is level in all directions and is properly sealed to the wall. The wall must be tiled down to the top edge of the tray. Do not angle out bottom tile.

TRAY MUST BE LEVEL IN ALL DIRECTIONS!  
TRAY MUST BE SEALED FULLY IN ALL AREAS WHERE THE TRAY MEETS THE WALL.

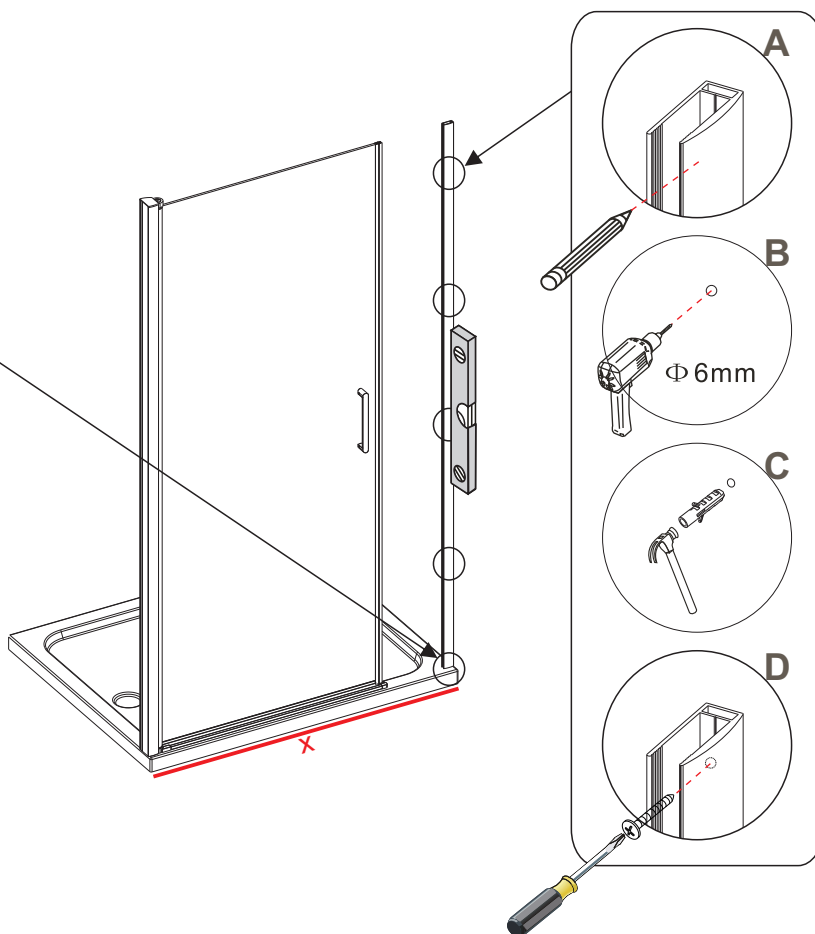


2

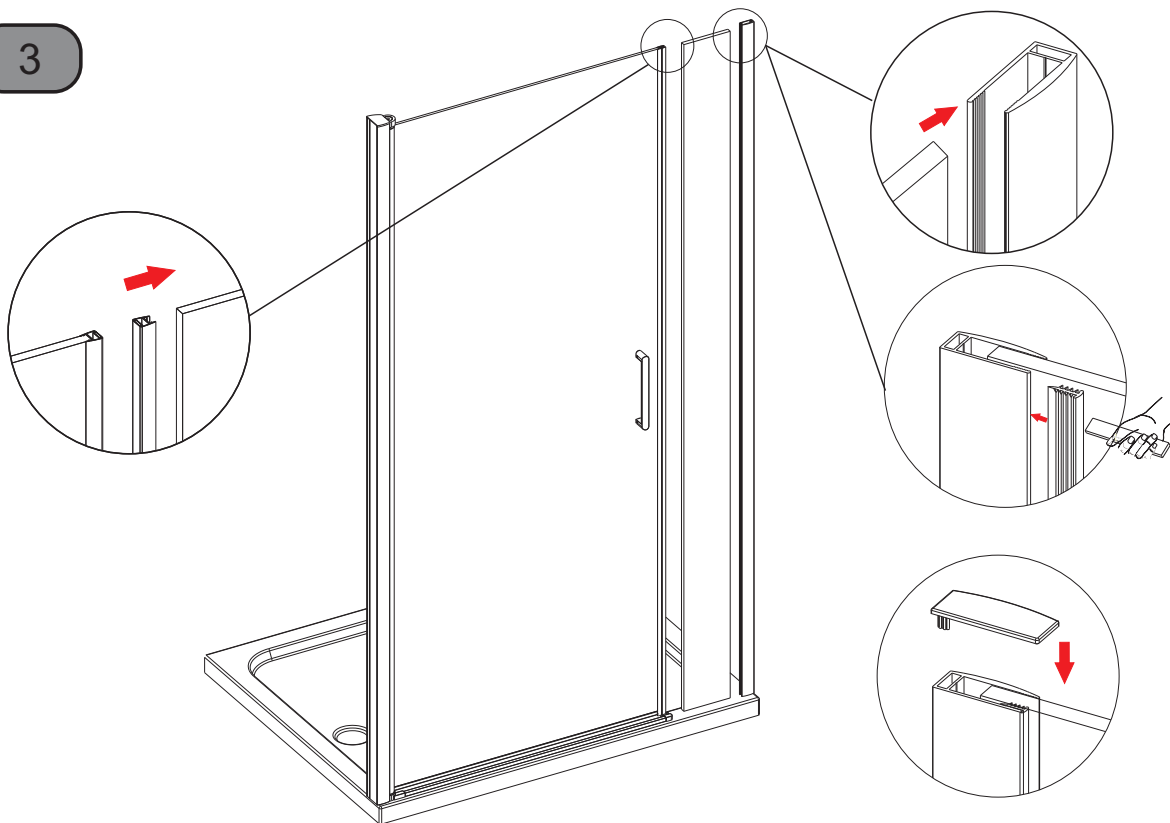


Inline Panel Adjustment

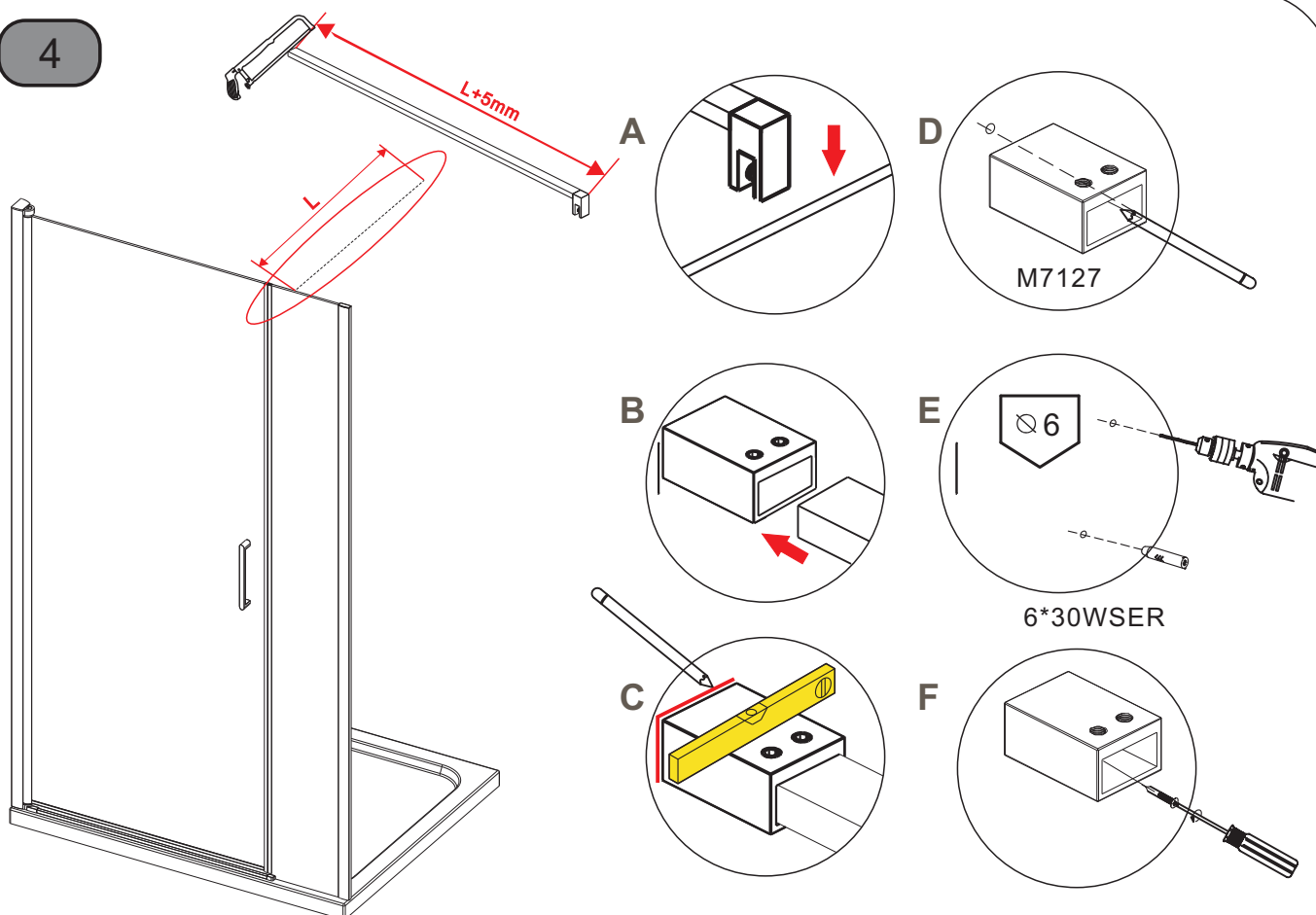
size	Adjustment "X"
760+200	920-960
760+500	1220-1260
800+200	960-1000
800+500	1260-1300
900+200	1060-1100
900+500	1360-1400
1000+200	1160-1200
1000+500	1460-1500



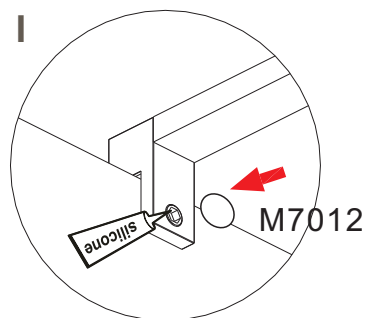
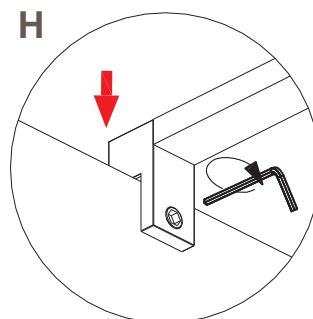
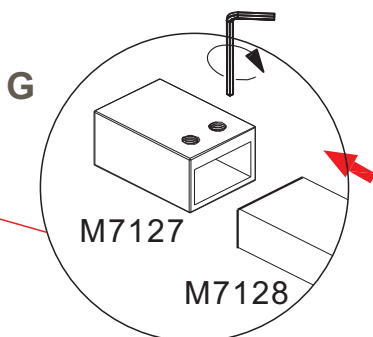
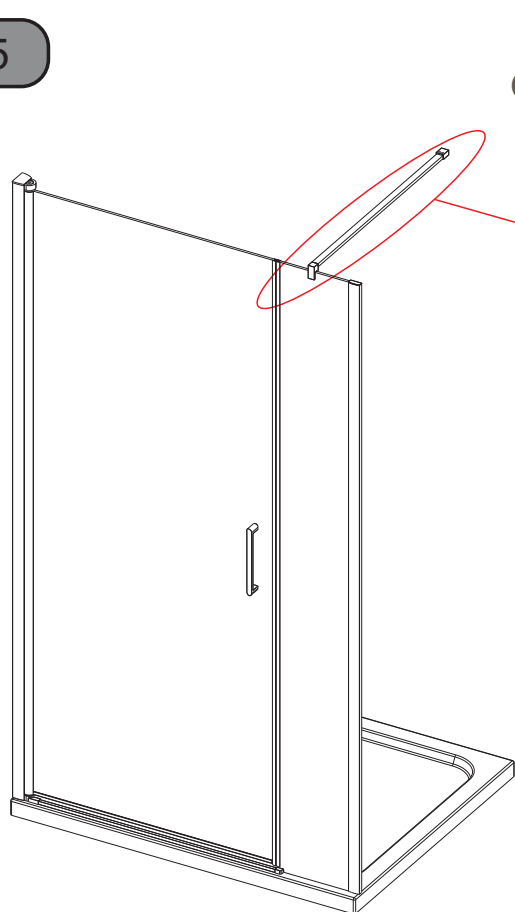
3



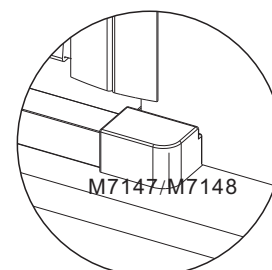
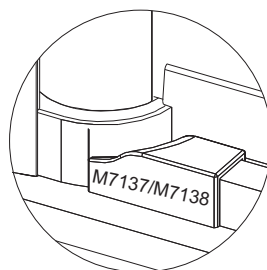
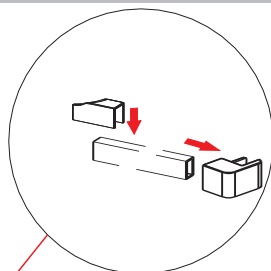
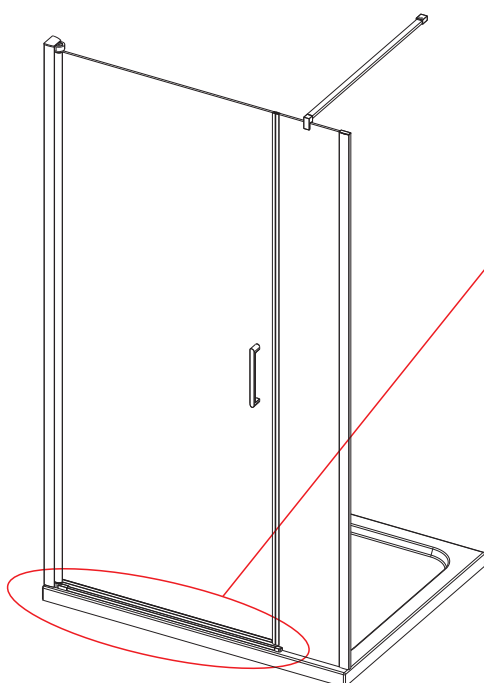
4



5

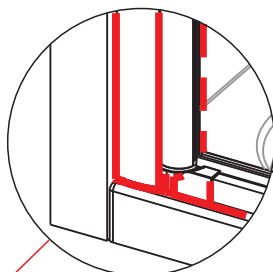
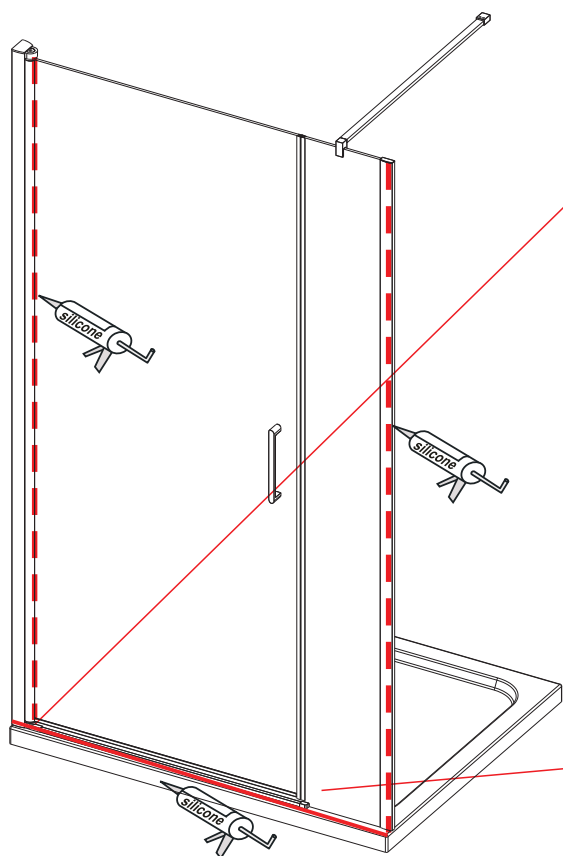


6



**WARNING** - The bottom profile must be used to ensure water tightness under the moving panel. We cannot guarantee water tightness if this is not used.

7

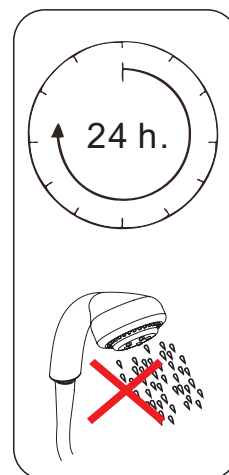
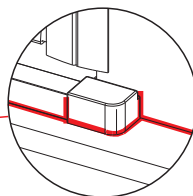
**SEALING INSIDE**

Seal top to bottom on the **INSIDE** between the wall profile and the wall.

**Note:** Do not apply sealant on the inside of the tray.

**SEALING OUTSIDE**

Seal only along bottom on the **OUTSIDE** between glass/rail/profile and the tray and approx 50mm up between the wall profile and the wall. Seal joint between bottom profile and upright profile.



DO NOT USE THE ENCLOSURE FOR 24 HOURS AFTER SEALING

CE

Merlyn Industries Ltd (MERO9)

18

**EN 14428**

Declaration of performance number  
CES8FPI1.1

Shower enclosures with aluminium  
profiles and safety glass

Cleanability : Pass

Impact resistance/  
shatter properties : Pass

Durability : Pass

To download the Declaration of Performance (DOP) for this product use the link below.

<http://merlynshowering.com/aftersales-support/dop-certs/>

For further information contact IRL: 056 7791 888, UK: 0808 1011 429