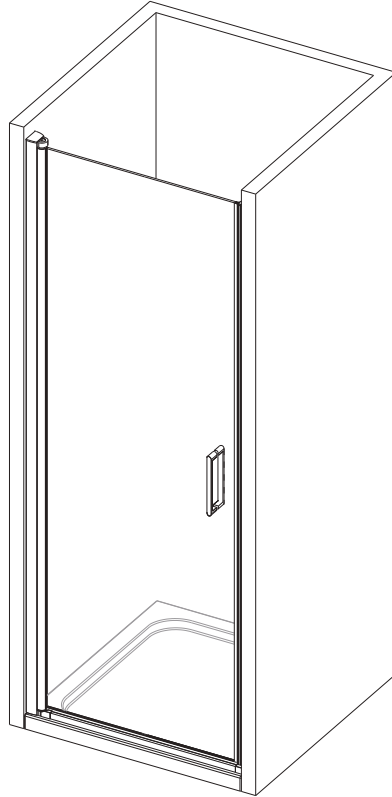
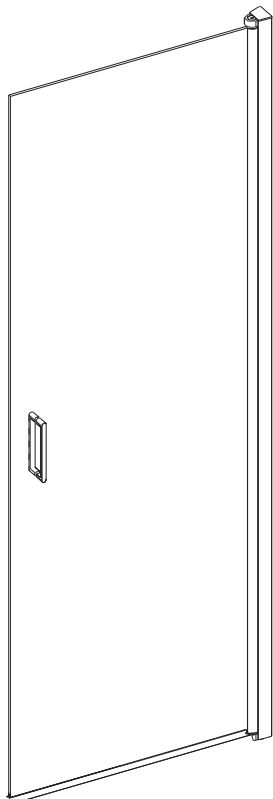


MERLYN 8 | series FRAMELESS

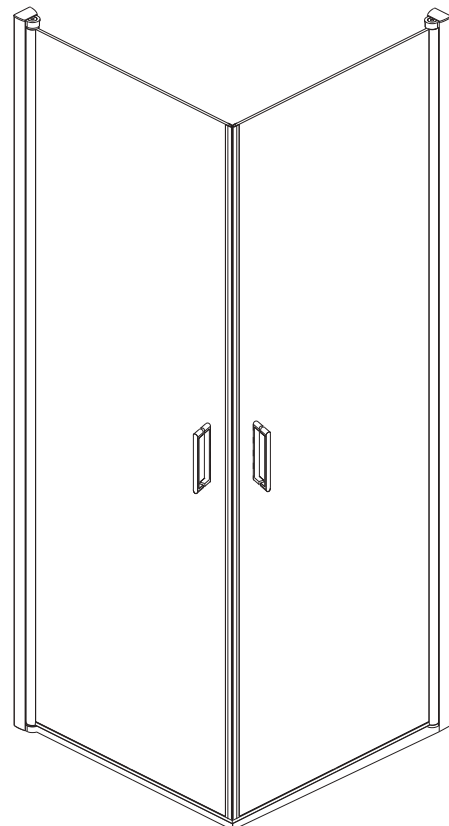
Installation guide for the Pivot Door



Shower wall



Corner Door



IMPORTANT:

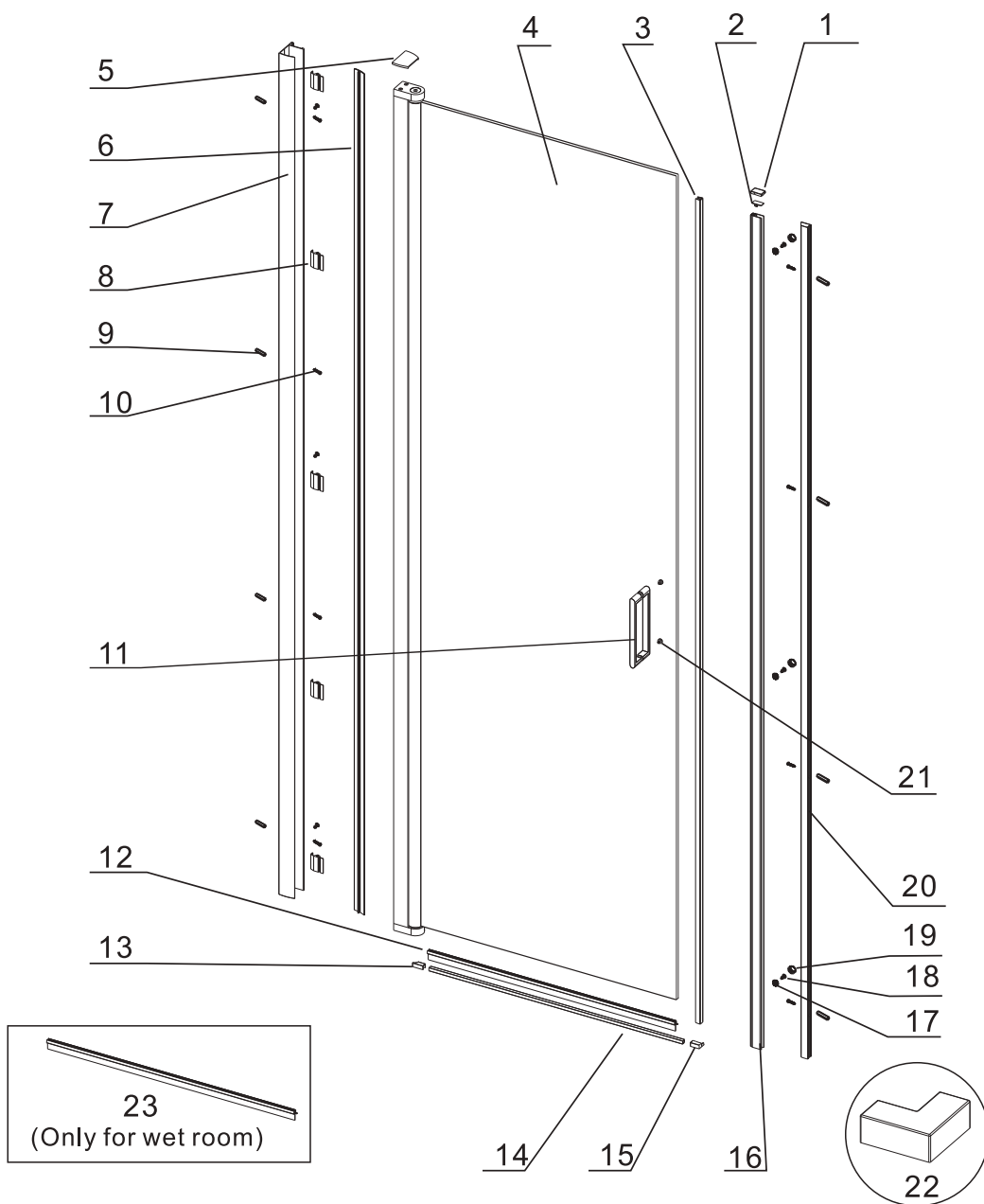
Please read the complete instructions
before commencing fitting.

Do not attempt to install the product unless you can tick all 4 boxes satisfactorily.

- Check that you have the tools required
- Check the installation site is compatible with
the sizes of door supplied
- Check all the enclosure components are present
- Check the installation kit is complete

The wall plugs supplied with the installation kit are for use in solid walls. Hollow or 'stud partition' walls will require alternative fixings. Please consult a hardware supplier for the correct type. It may also be necessary to consult your tiling supplier about the correct method for drilling your tiles.

ATTENTION: TAKE EXTREME CARE WHEN HANDLING GLASS, WEAR PROTECTIVE EYEWEAR AND CLOTHING. DO NOT LEAVE THE GLASS ON HARD SURFACES AND AVOID CONTACT BETWEEN THE GLASS EDGES AND HARD SURFACES OR IMPACTS DURING THE INSTALLATION.



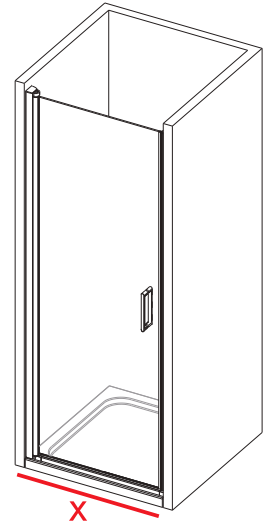
No	Description	QTY	Part No.	No.	Description	QTY	Part No.
1	Closing post cover cap L/R	2	M7120	12	Bottom seal	1	M7157
2	Magnet profile universal cover cap	1	M7121	13	Luna rail end cap hinged side L/R	2	M7137/M7138
3	Magnet seal	1	M7158	14	Luna rail	1	M7159
4	Moving panel A	1	A	15	Luna rail end cap closing side L/R	2	M7147/M7148
5	should be 2SY51 L/R	2	M7017	16	Magnet profile	1	M7105
6	Cover strip	1	M7104	17	Screw cover cap clip	3	M7124
7	Wall profile	1	M7100	18	Screw ST4x12	6	A2401201
8	Cover strip clip	5	M7009	19	Screw cover cap	3	M7123
9	Φ6x30 wall plug	8	B08070	20	Magnet wall profile	1	M7106
10	Flat head screw ST4x40	8	A2403001	21	Handle knob	1	SP0M7132
11	Handle	1	M7160	22	Corner bracket	1	M7141
				23	Bottom seal (Longer)	1	M7136

Product adjustments

Adjustment when used as Pivot door in a recess

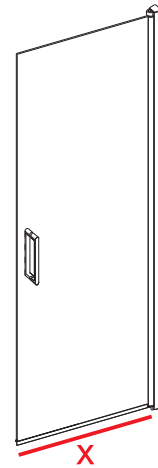
Size	Adjustment 'X'	Opening space
760	730-760	650
800	770-800	690
900	870-900	790
1000	970-1000	890

NOTE:When the pivot door is being used in a recess you can use it with the lunar rail or without the lunar rail(longer fin seal supplied)



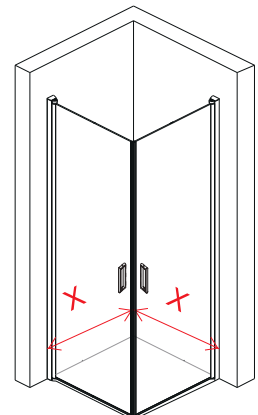
Adjustment when used as Shower wall

Size	Adjustment 'X'
760	690-710
800	730-750
900	830-850
1000	930-950



Adjustment when used as Corner door

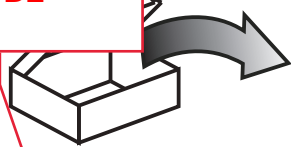
Size	Adjustment 'X'
760x760	725-745
800x800	765-785
900x900	865-885
1000x1000	965-985



NOTE:When the door is in a corner door situation you can use it with the lunar rail or without the lunar rail(longer fin seal supplied)

Fixing kit components

SHOULD BE
2SY51



4x40mm A2403001X8	4x12mm A2401201x6	 B08070x8	 M7124x3	 M7123x3	 M7020X1	 B08092x1
--------------------------	--------------------------	--------------	-------------	-------------	-------------	--------------

M7017x2

M7120x2

M7140x2

M7121x1

M7137x2

M7160x1

B08068x1

M7141x1

Tools required

6mm

silicone

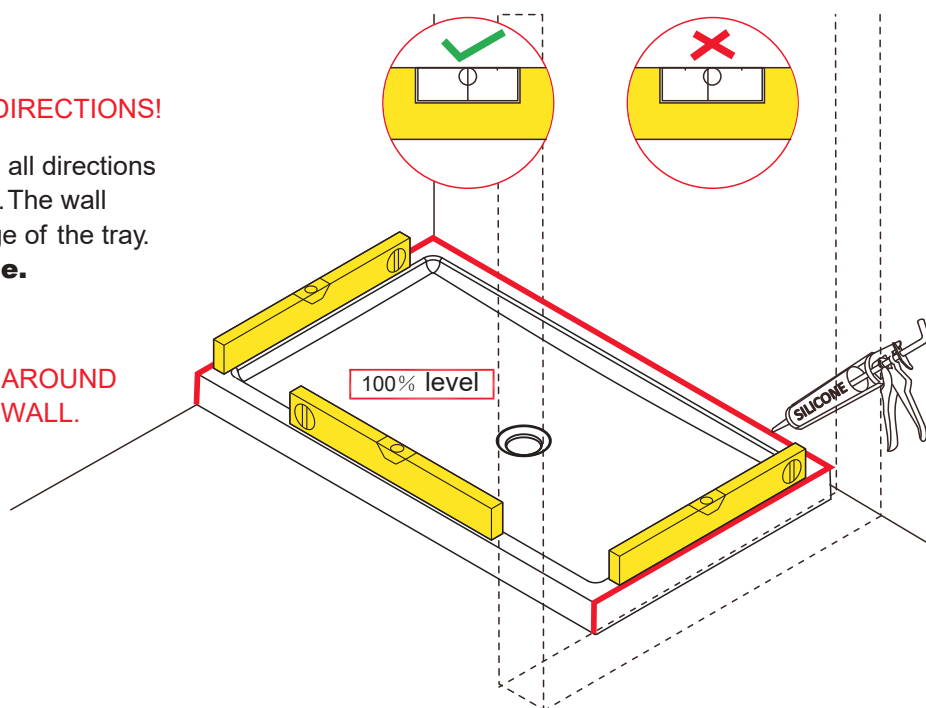
PH2

1

TRAY MUST BE LEVEL IN ALL DIRECTIONS!

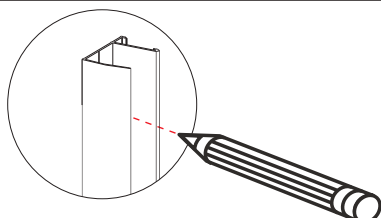
Ensure the shower tray is level in all directions and is properly sealed to the wall. The wall must be tiled down to the top edge of the tray.

Do not angle out bottom tile.

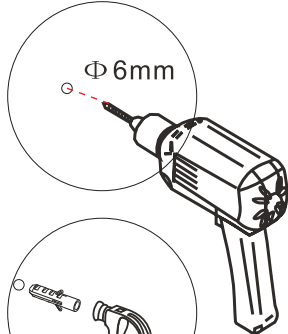
TRAY MUST BE SEALED FULLY AROUND WHERE THE TRAY MEETS THE WALL.

2

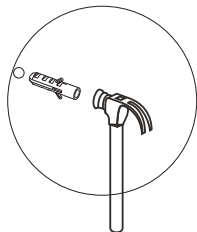
B



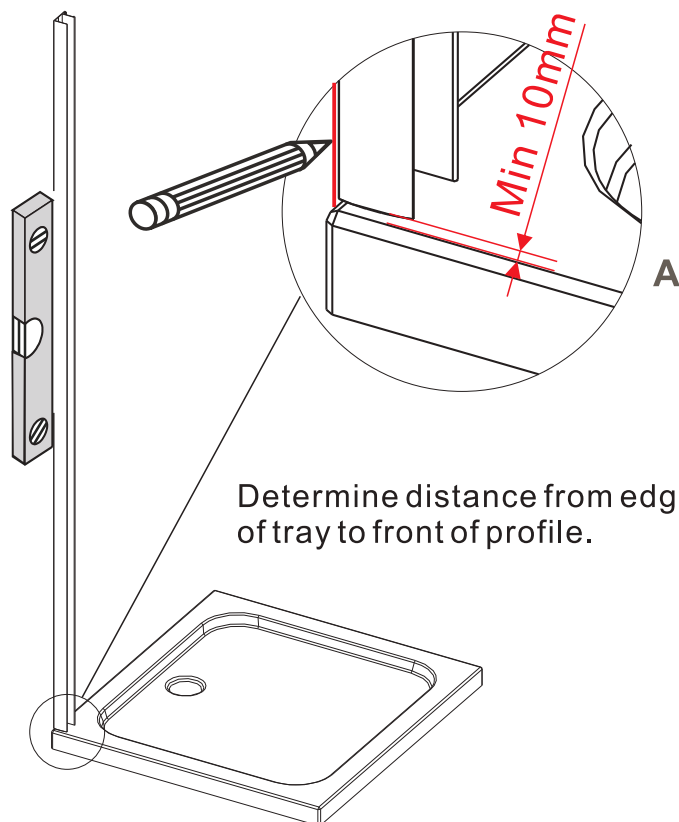
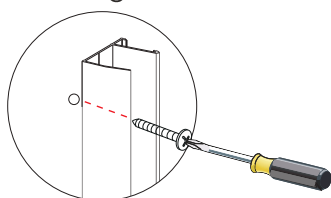
C



D

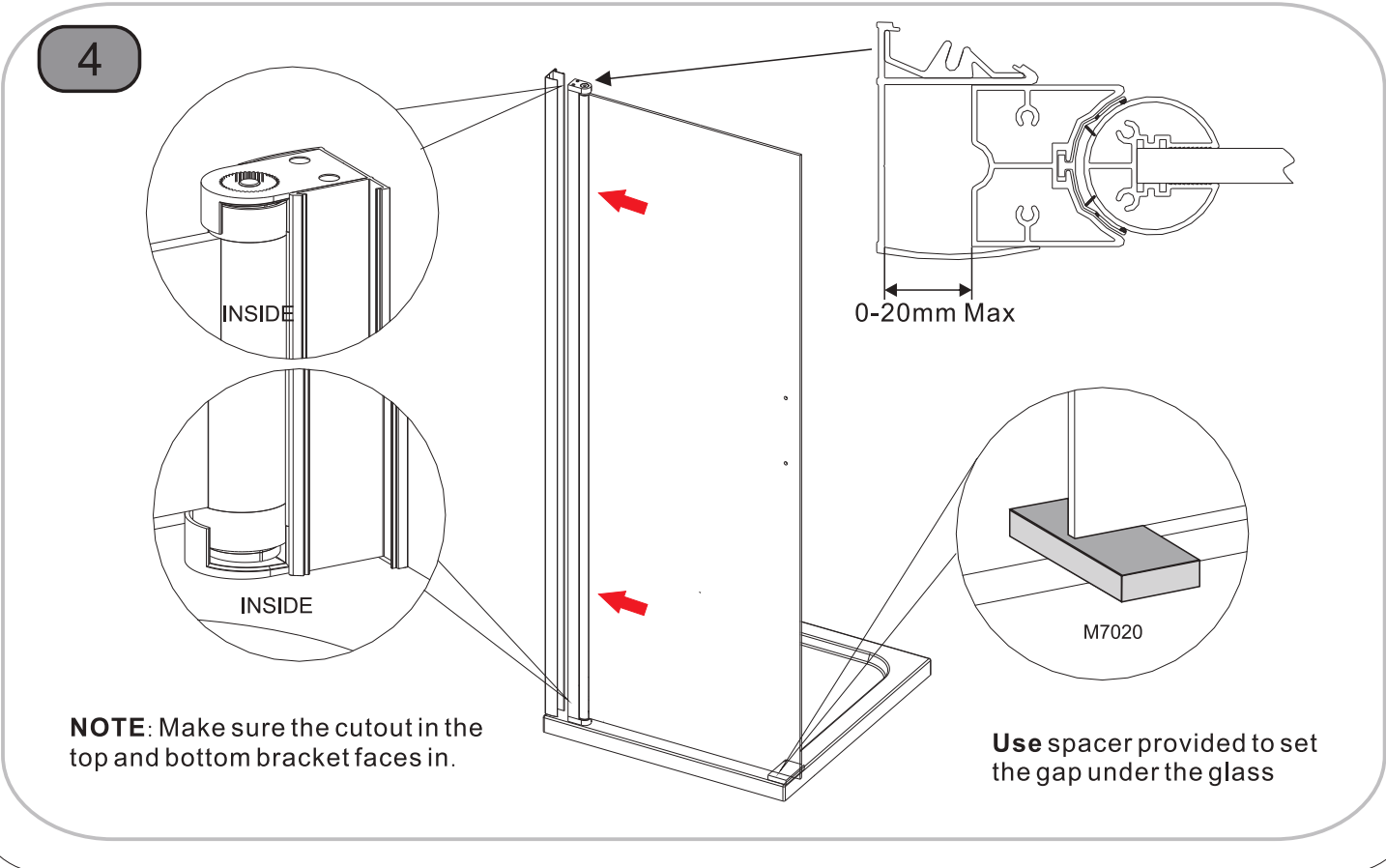
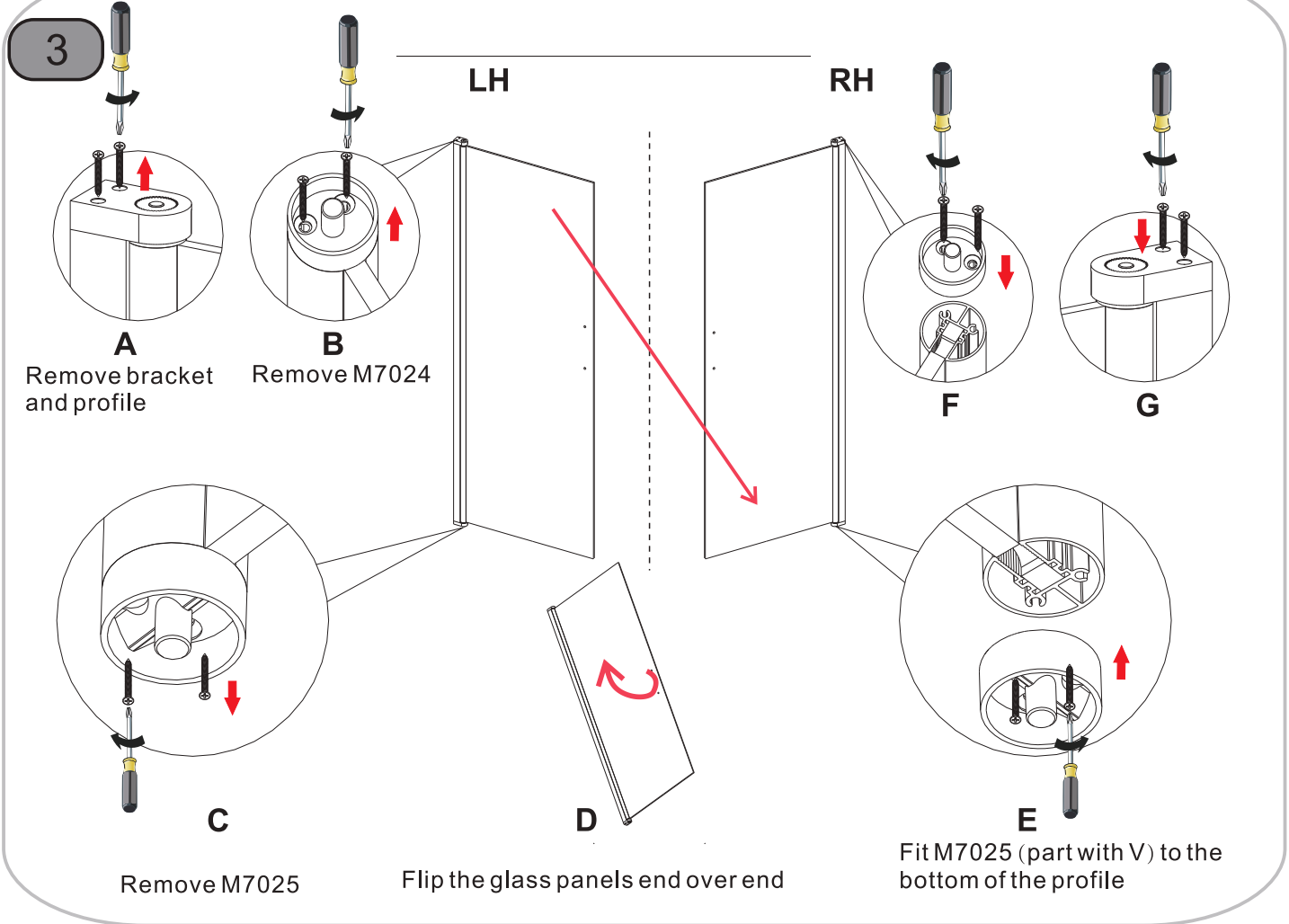


E

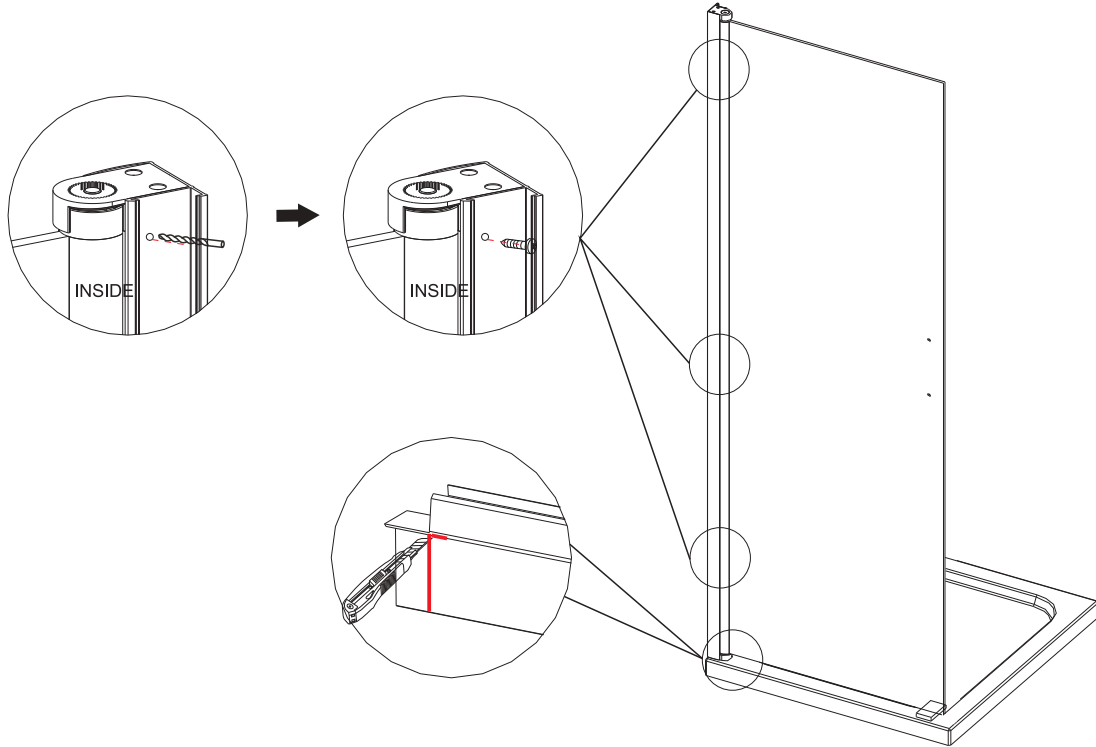


The door is set up as a left hand unit for a right hand door the M7024&M7025 brackets must be swapped from top to bottom to allow for a left and right hand product.

NOTE: M7025 with the V shape should always be on the bottom.

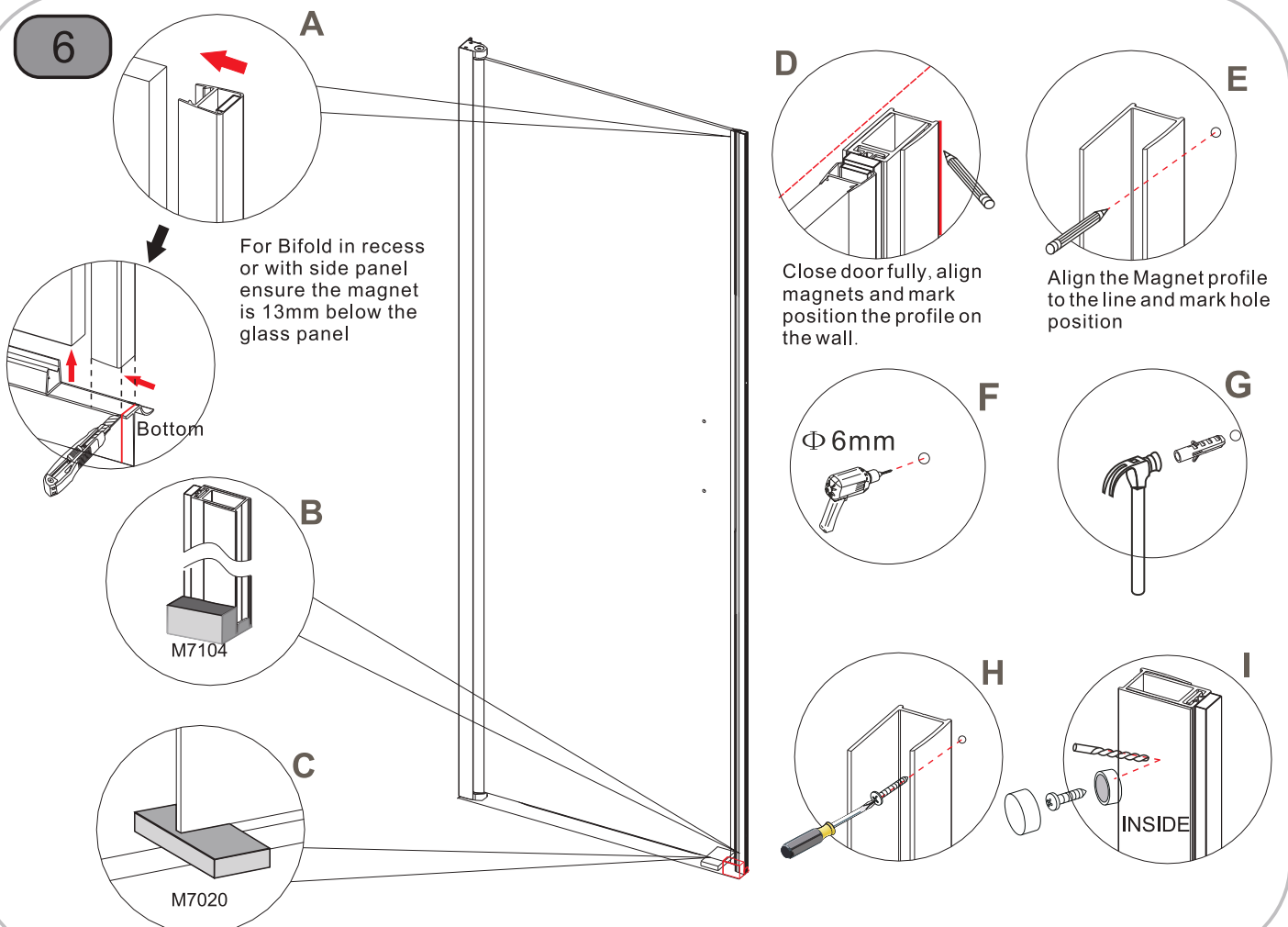


5



**Note: If fitting as a shower wall skip to step 09 for sealing instructions.
If fitting as a corner door skip to step 10.**

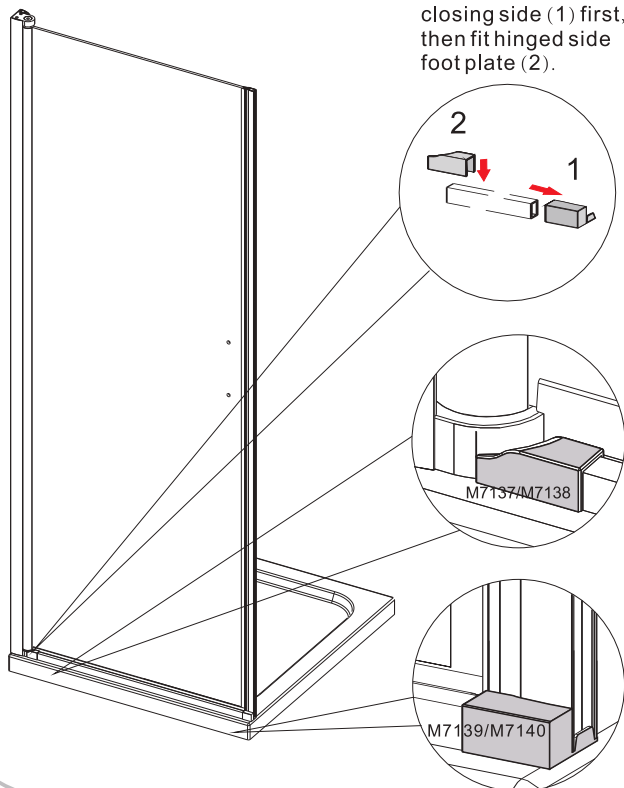
6



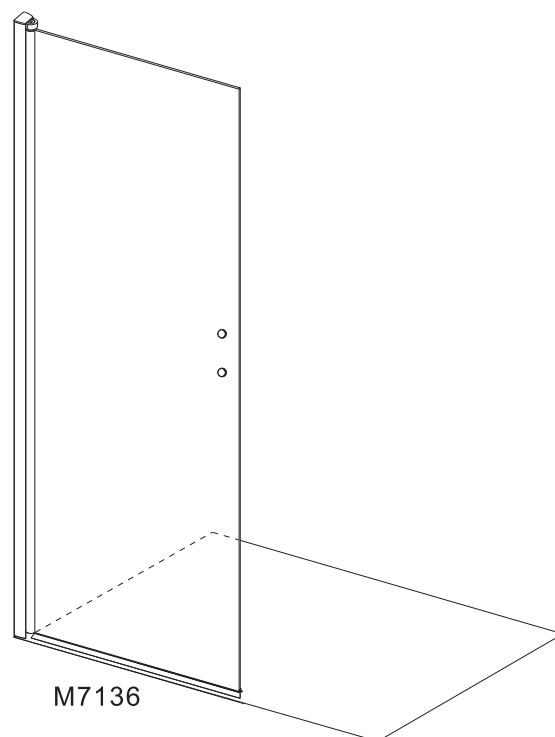
7

LUNAR RALL OPTION

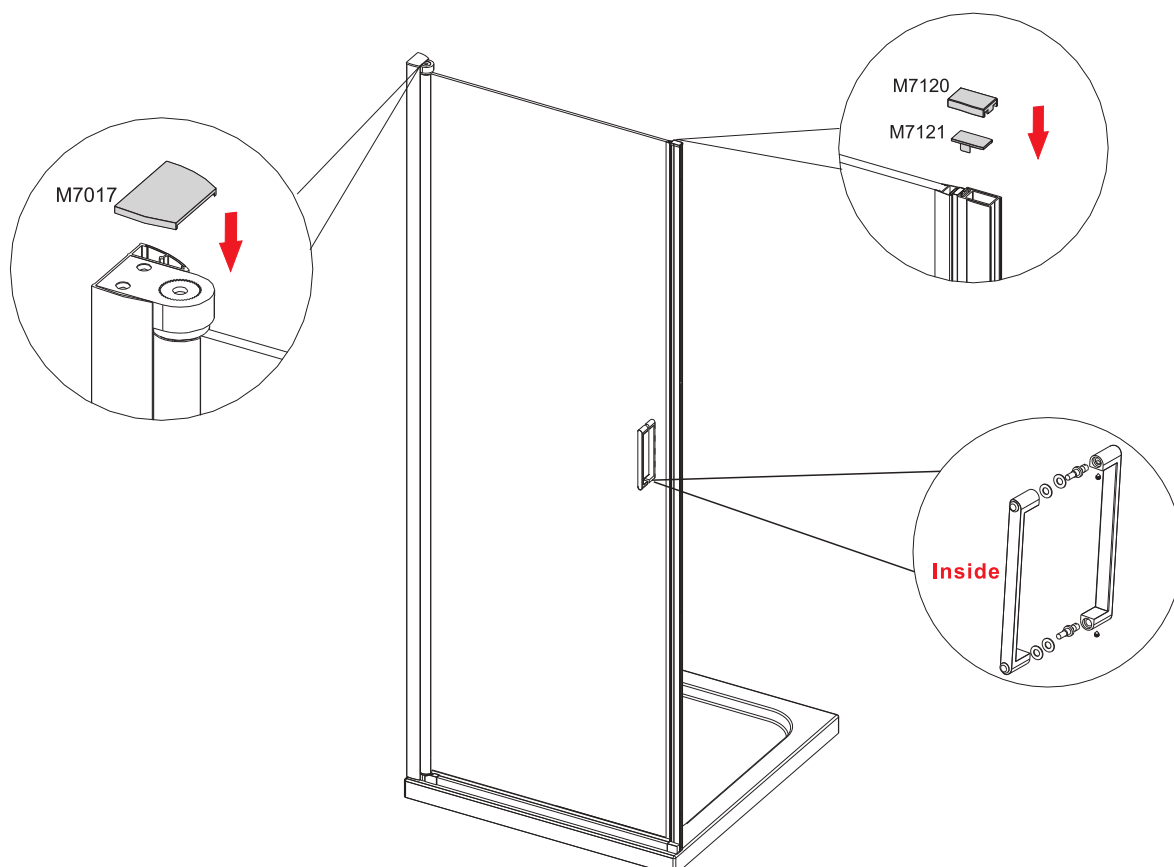
Place Luna rail into closing side (1) first, then fit hinged side foot plate (2).

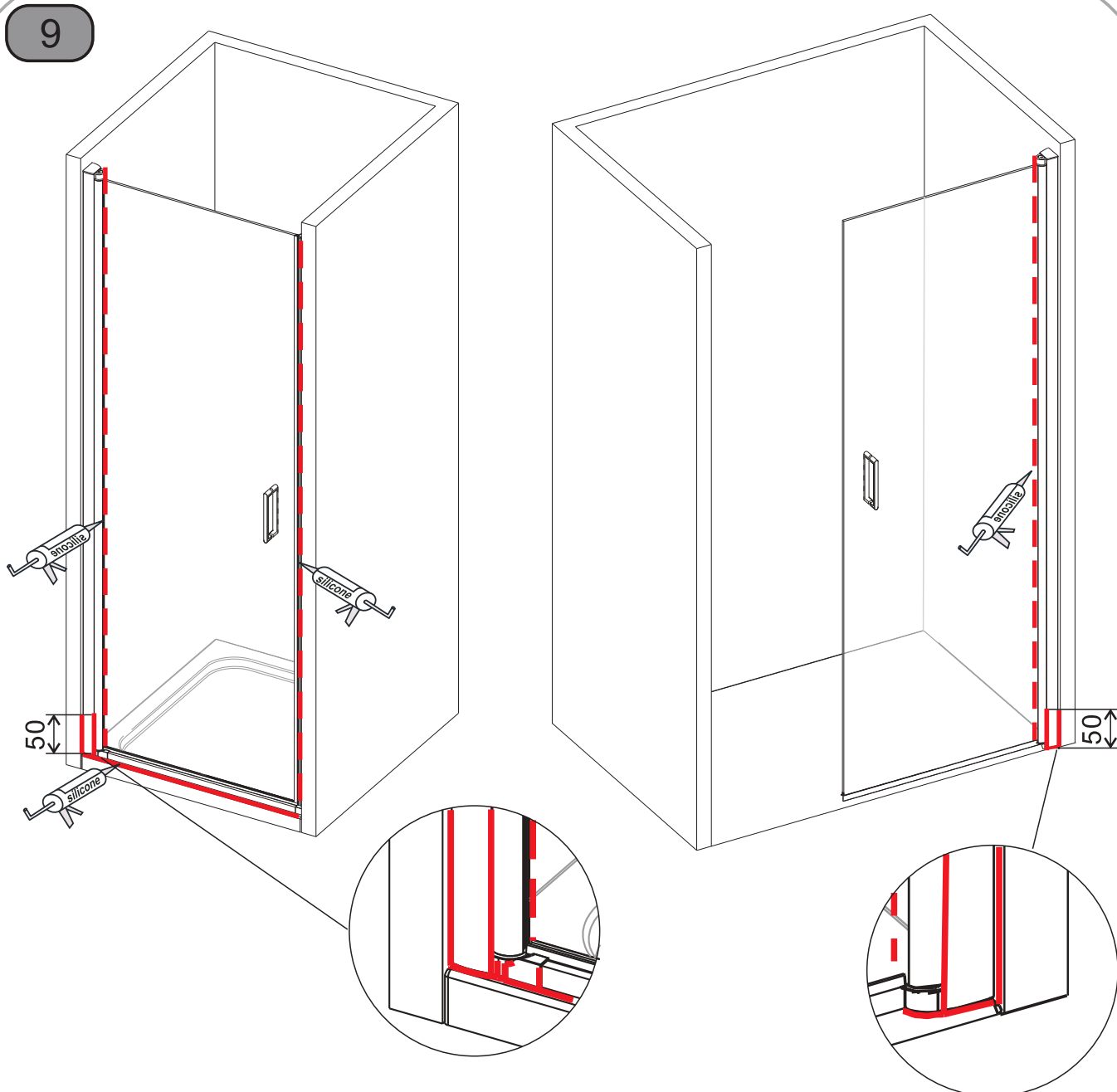


WITHOUT LUNAR RALL OPTION



8





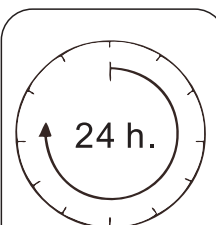
SEALING INSIDE

Seal top to bottom on the **INSIDE** between the wall profile and the wall.

Note: Do not apply sealant on the inside of the tray.

SEALING OUTSIDE

Seal only along bottom on the **OUTSIDE** between glass/rail/profile and the tray and approx 50mm up between the wall profile and the wall. Seal joint between bottom profile and upright profile.



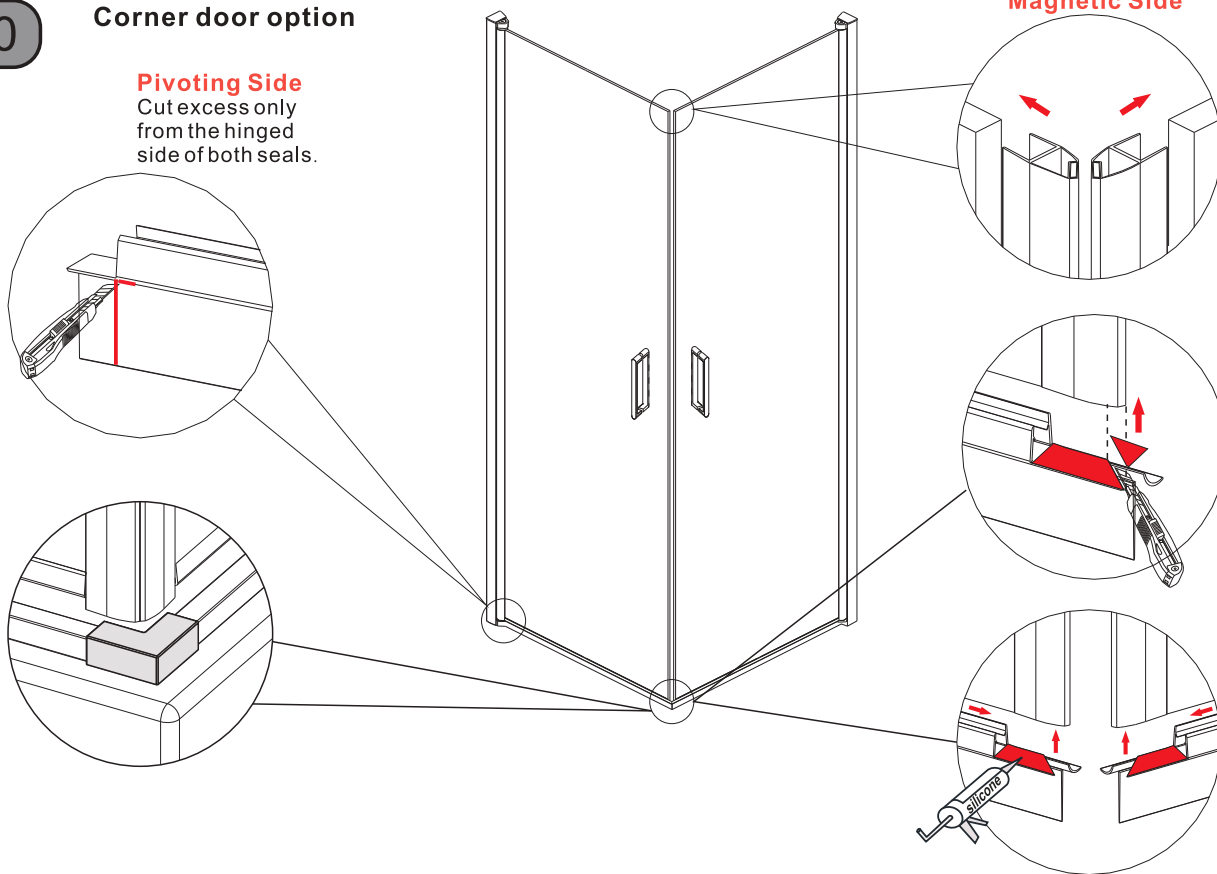
DO NOT USE THE
ENCLOSURE FOR
24 HOURS AFTER
SEALING

10

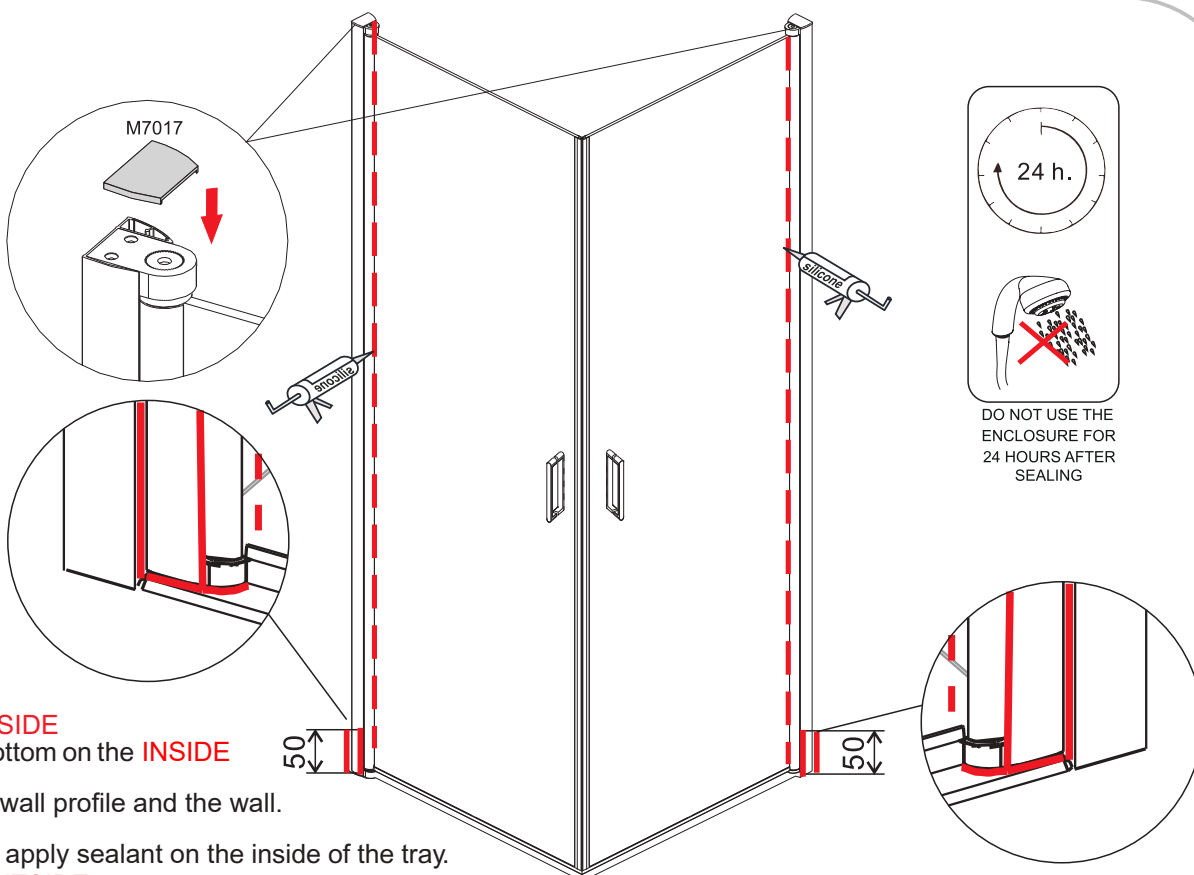
Corner door option

Pivoting Side
Cut excess only from the hinged side of both seals.

Magnetic Side



11



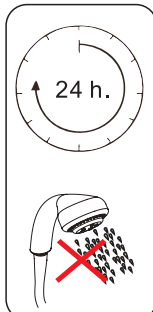
SEALING INSIDE
Seal top to bottom on the **INSIDE**

between the wall profile and the wall.

Note: Do not apply sealant on the inside of the tray.

SEALING OUTSIDE

Seal only along bottom on the **OUTSIDE** between glass/rail/profile and the tray and approx 50mm up between the wall profile and the wall. Seal joint between bottom profile and upright profile.



DO NOT USE THE ENCLOSURE FOR 24 HOURS AFTER SEALING

CLEANING

It is important to clean your Merlyn shower door after every use. Wipe down all the glass and metal parts with a soft cloth. Do not allow lime scale to build up in hard water areas. Ensure that any residual water on the glass is removed after every use.

- ? Clean the glass regularly using soapy water.
- ? Do not use abrasive products on any surfaces.

Chrome is vulnerable to acid attack and some strong household cleaners including strong disinfectants, denture cleaners, hair dyes, wine making chemicals and photographic chemicals may contain acid. These materials may have a varying effect on the surface from black spots/streaks (which cannot be removed) to pitting the surface. Contact with these materials should be avoided.

TROUBLE SHOOTING

Door Not Aligning

1. Is the tray 100% level? (see page 5)
2. Have the walls been checked at different levels to ensure consistency? Bumps or hollows in the wall may push the frame out of alignment.
3. Are the wall profiles stepped in a Min. 10mm from the edge of the tray? (see page 6)
4. Do the finished tile measurements at top, middle and bottom fall within the adjustment (X) listed on step 2.

Door Leaking

1. Is the door sealed correctly ? (see step 11)
2. Check to ensure the door frame is 100% square.