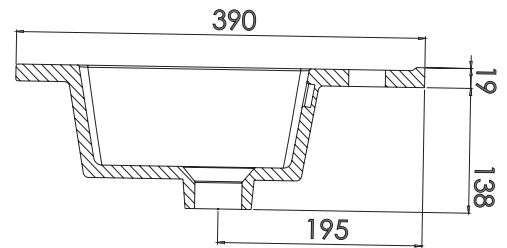
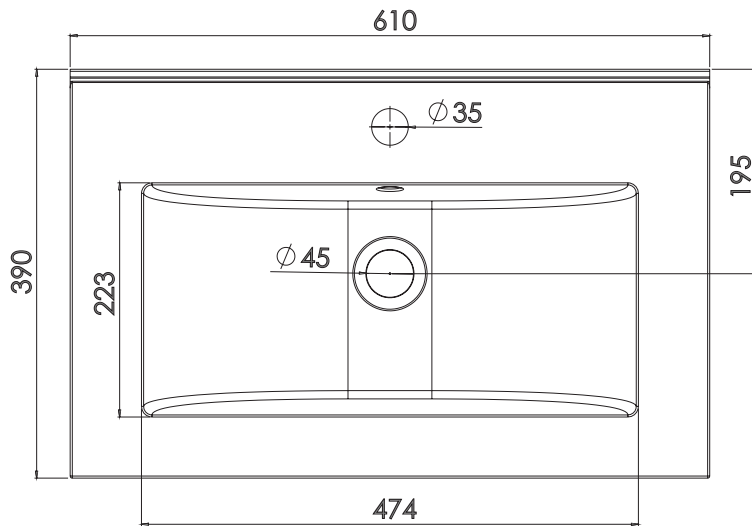


Technical Data Sheet

TAVISTOCK

KEW 600 Ceramic Basin

Whats in the box: 1x KW600C



Diagrams not to scale
All dimensions in mm
tolerance of +/-5mm

Materials

Basin: Ceramic

**Dimensions are subject to change, customers are advised to measure actual product before commencing installation.

FAQs

- | | |
|---|---------------------------------|
| Q: What is the maximum water depth of the basin? | A: 93mm up to the overflow. |
| Q: What is the internal depth? | A: The internal depth is 132mm. |
| Q: What is the depth of the tapledge? | A: The tapledge is 115mm deep. |
| Q: What is the distance from the taphole centre to basin waste? | A: 130mm |
| Q: What is the overflow rating? | A: Overflow rating is CL10 |

NOTE: Colours unique to Tavistock - No RAL Code available