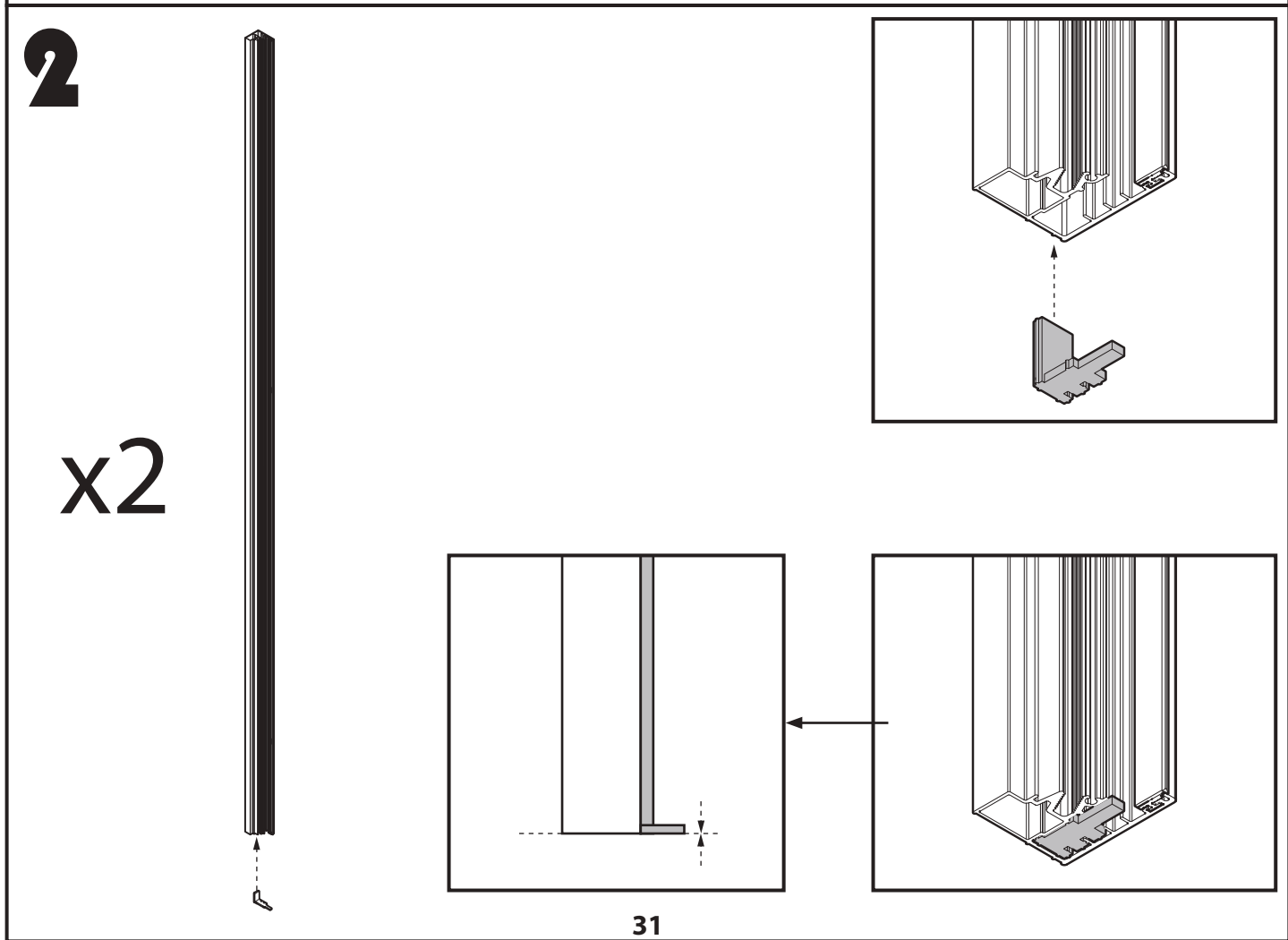
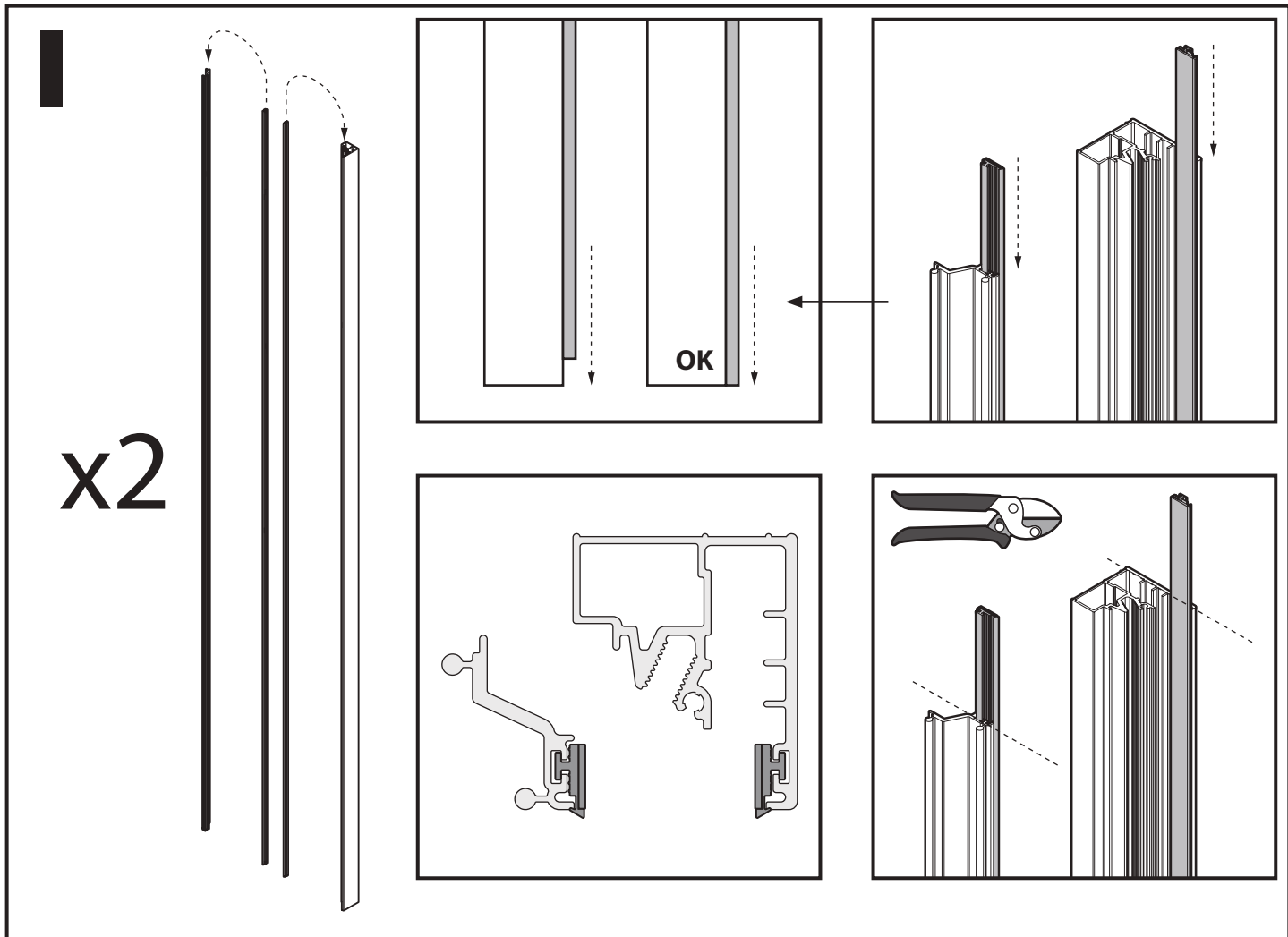


G70	L=67-69 cm
G75	L=72-74 cm
G67	L=64-66 cm
G73	L=70-72 cm
G77	L=74-76 cm
G80	L=77-79 cm
G85	L=82-84 cm
G87	L=84-86 cm
G90	L=87-89 cm
G95	L=92-94 cm
G97	L=94-96 cm
G100	L=97-99 cm
G107	L=104-106 cm

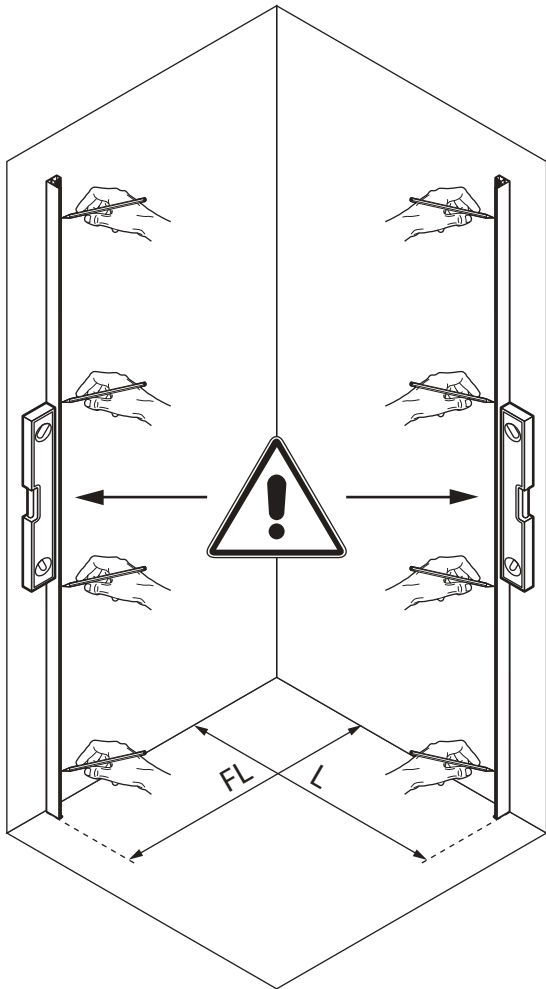
G110	L=107-109 cm
G115	L=112-114 cm
G117	L=114-116 cm
G120	L=117-189 cm
G130	L=127-129 cm
G137	L=134-136 cm
G140	L=137-139 cm
G147	L=144-146 cm
G150	L=147-149 cm
G157	L=154-156 cm
G160	L=157-159 cm
G167	L=164-166 cm
G170	L=167-169 cm

F70	FL=67-69 cm
F75	FL=72-74 cm
F76	FL=73-75 cm
F80	FL=77-79 cm
F85	FL=82-84 cm

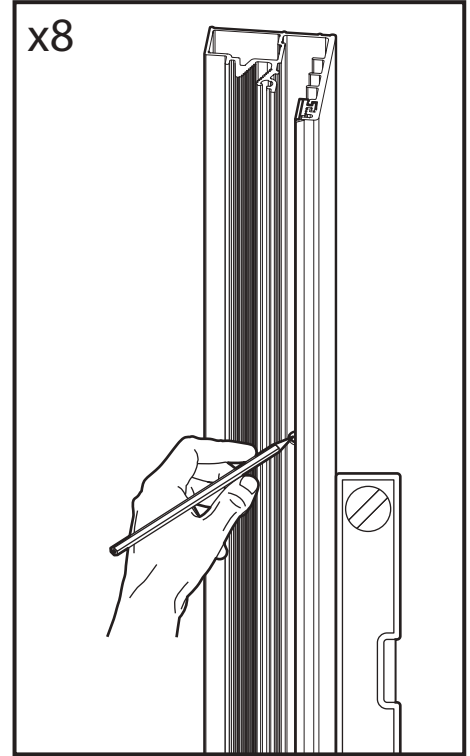
F90	FL=87-89 cm
F95	FL=92-94 cm
F100	FL=97-99 cm
F110	FL=107-109 cm
F120	FL=117-119 cm



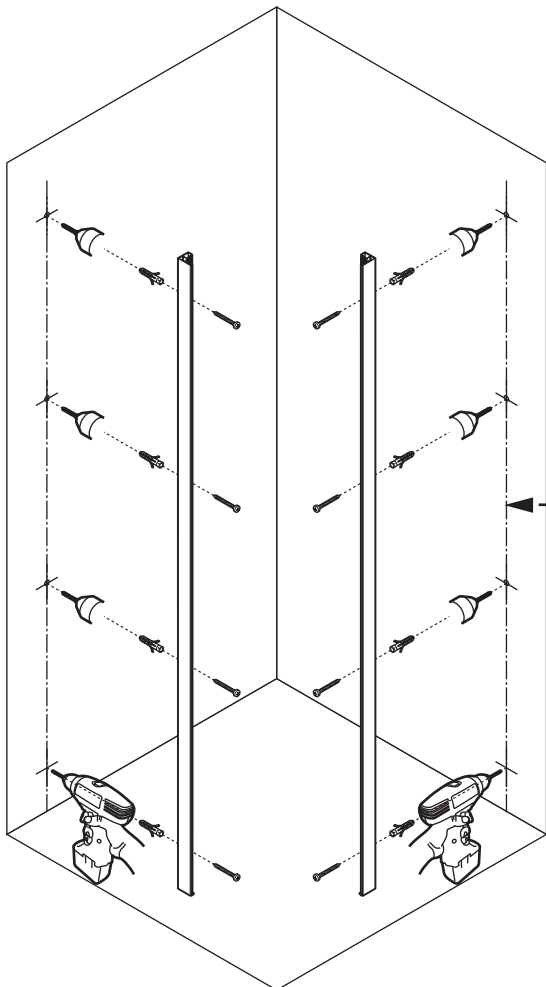
3



x8



4



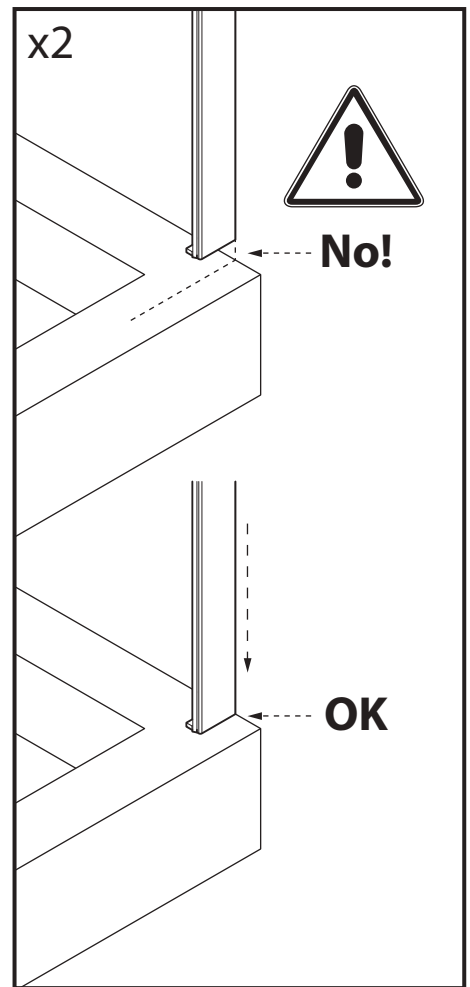
 $\varnothing 6 \text{ mm}$

 4x35 x8

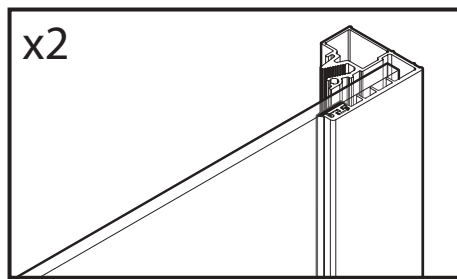
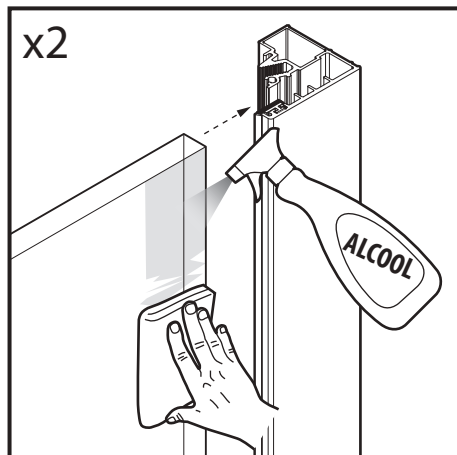
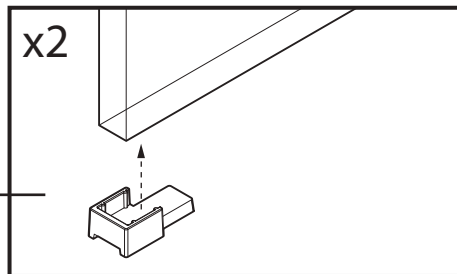
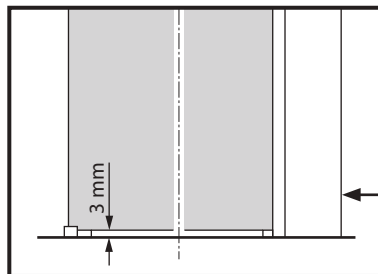
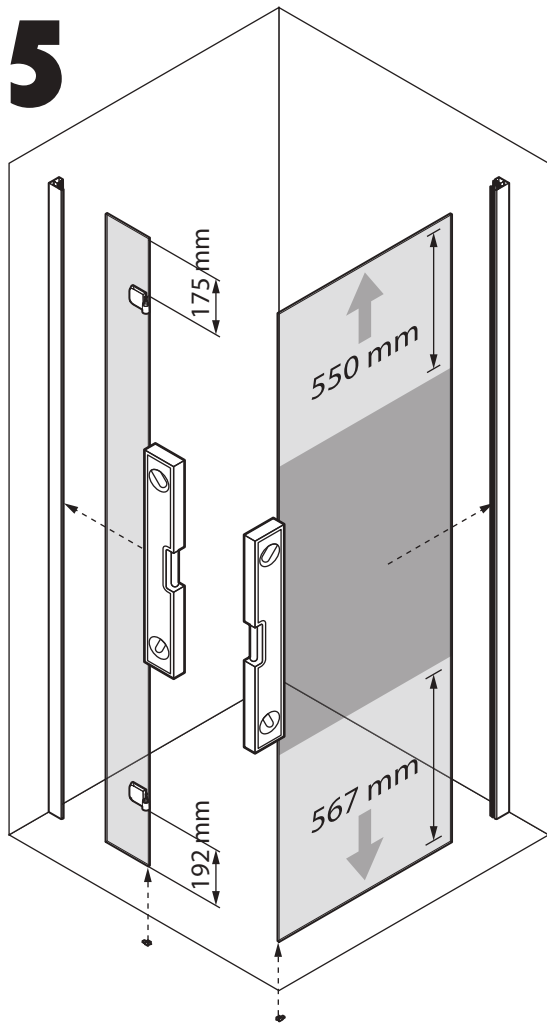
 S6 x8



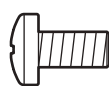
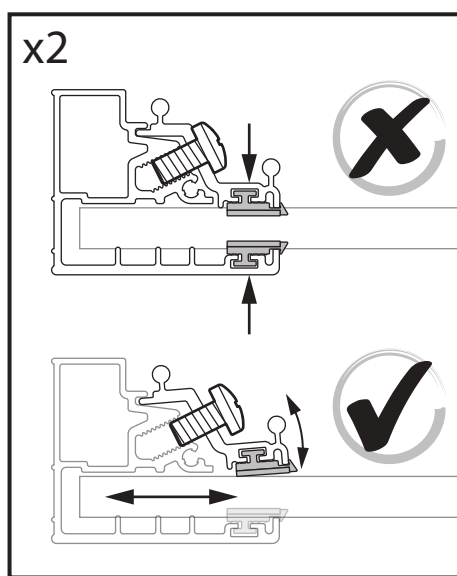
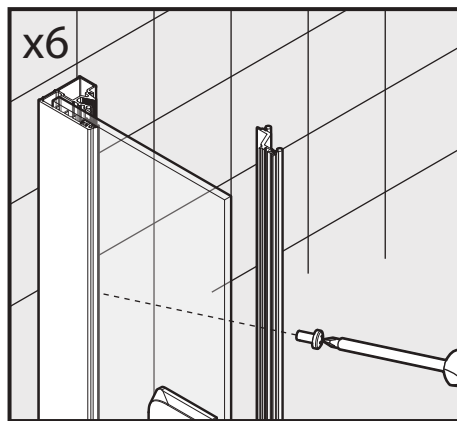
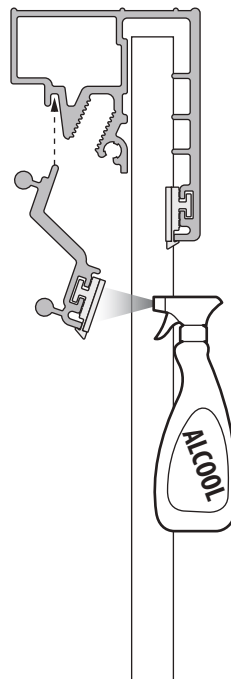
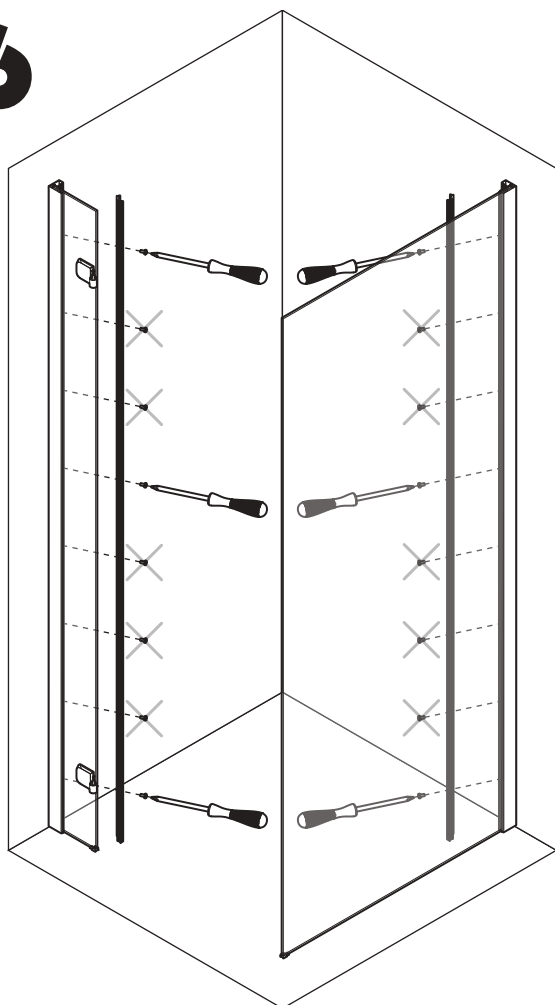
x2



5

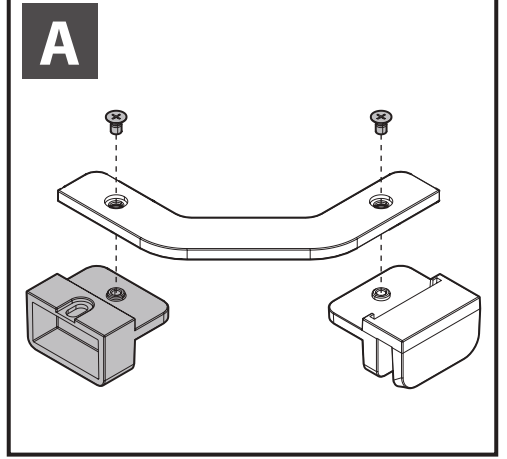
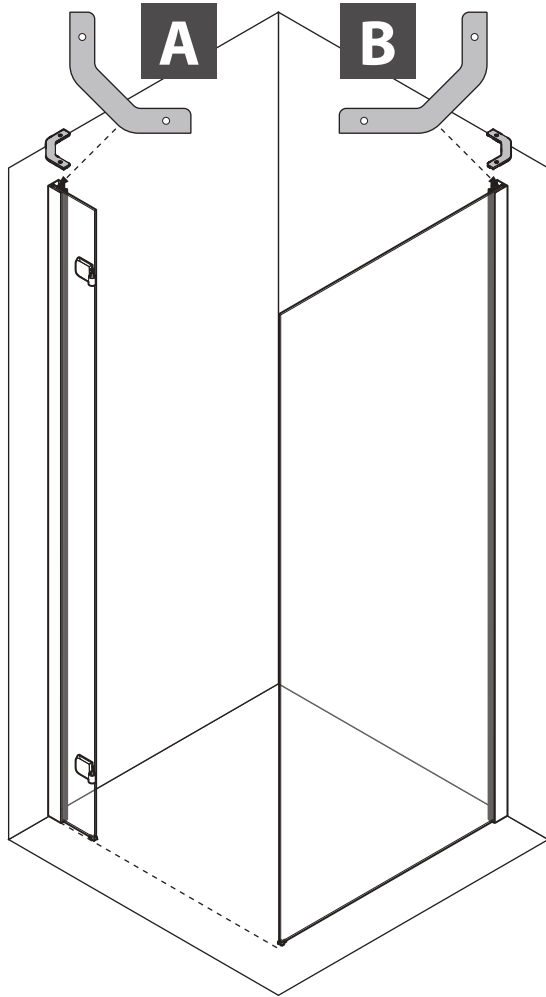


6

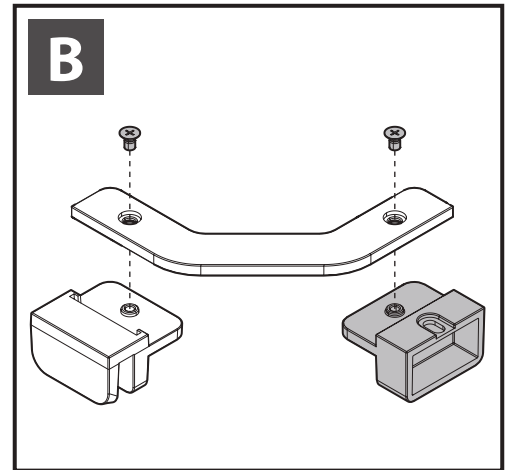


M6x12 x16

7

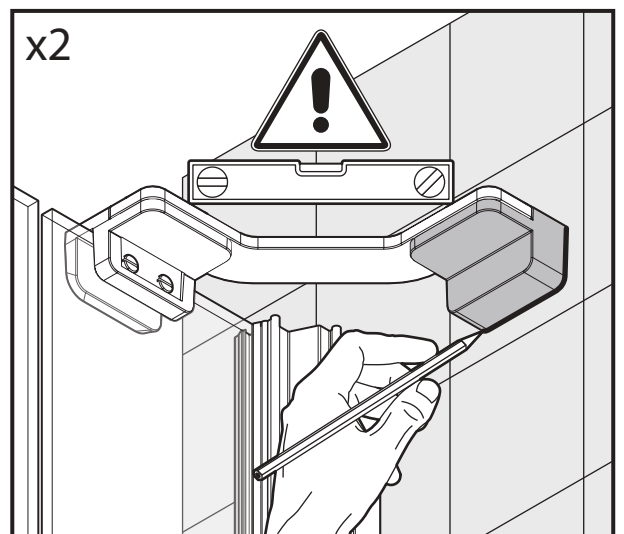
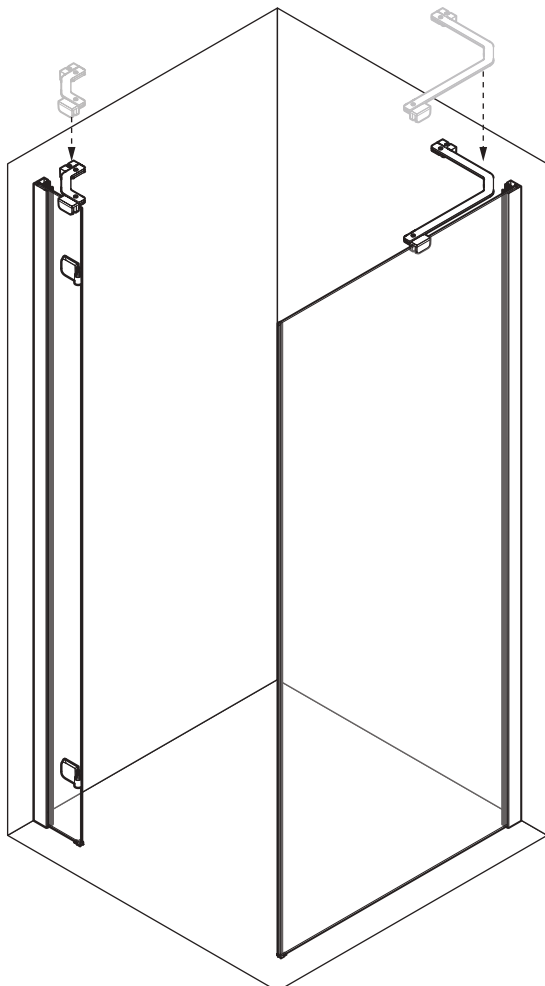


M5x8 x2

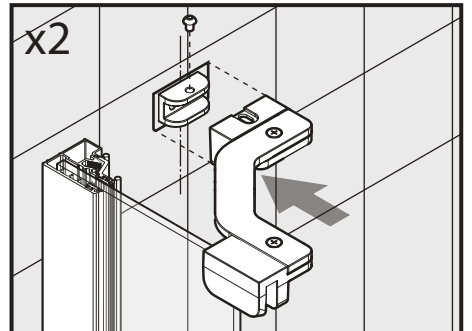
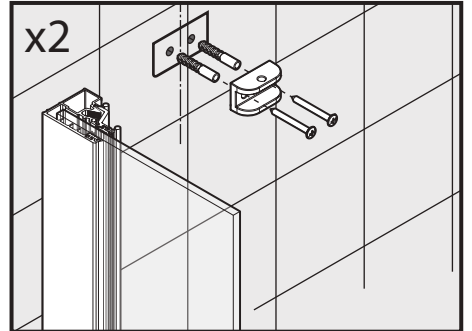
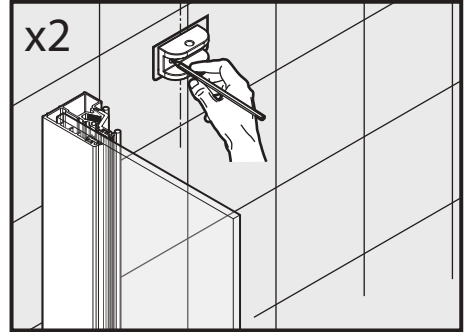
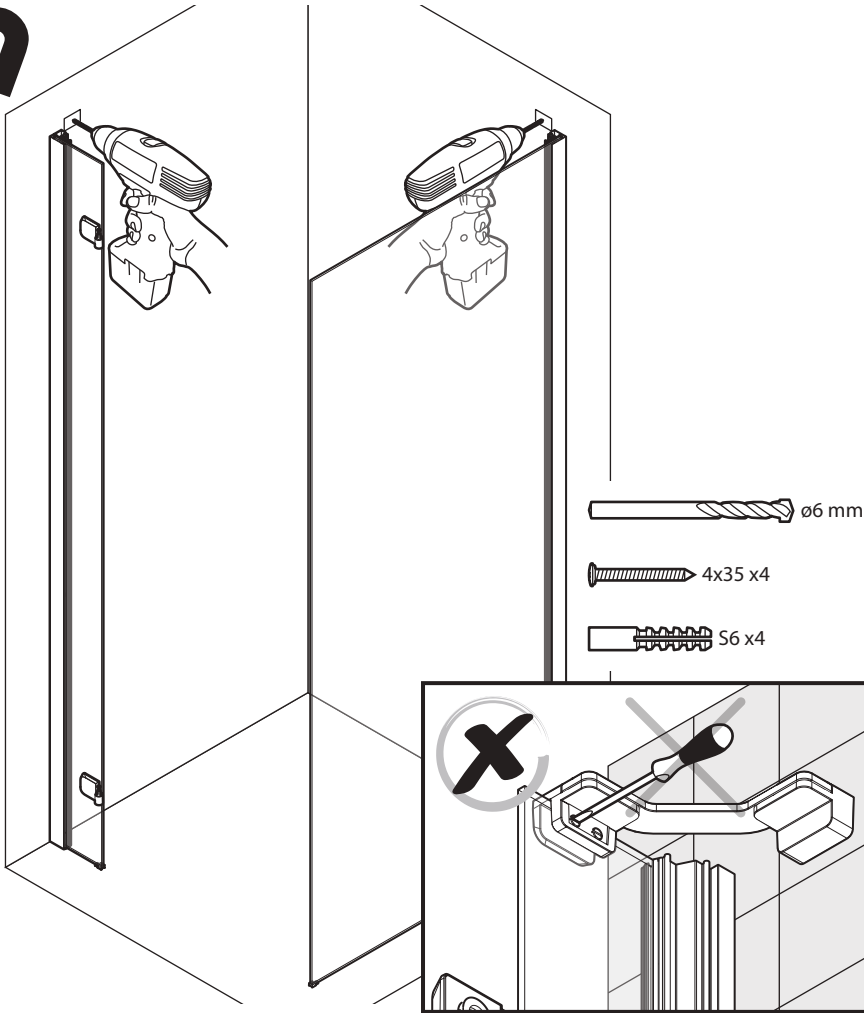


M5x8 x2

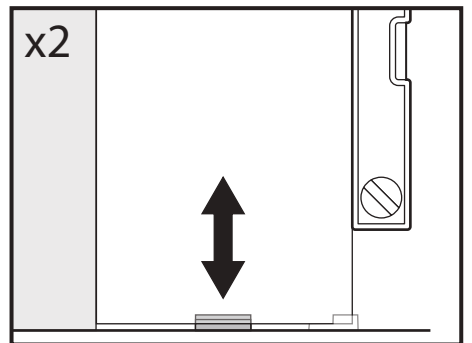
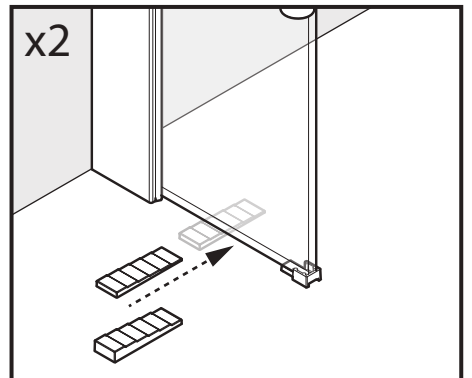
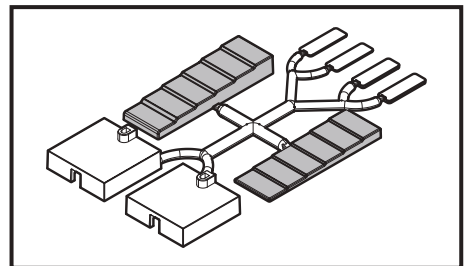
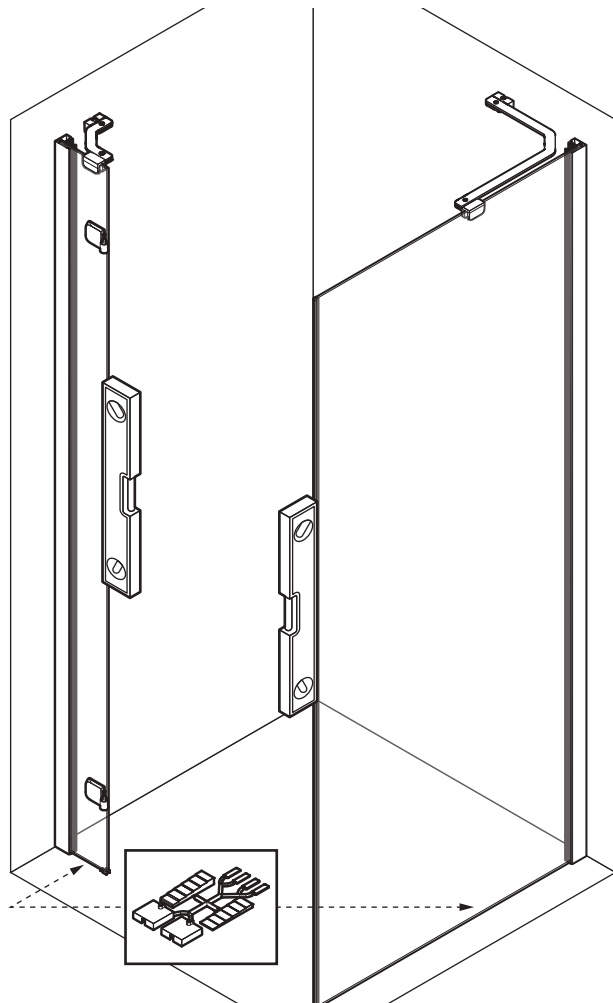
8

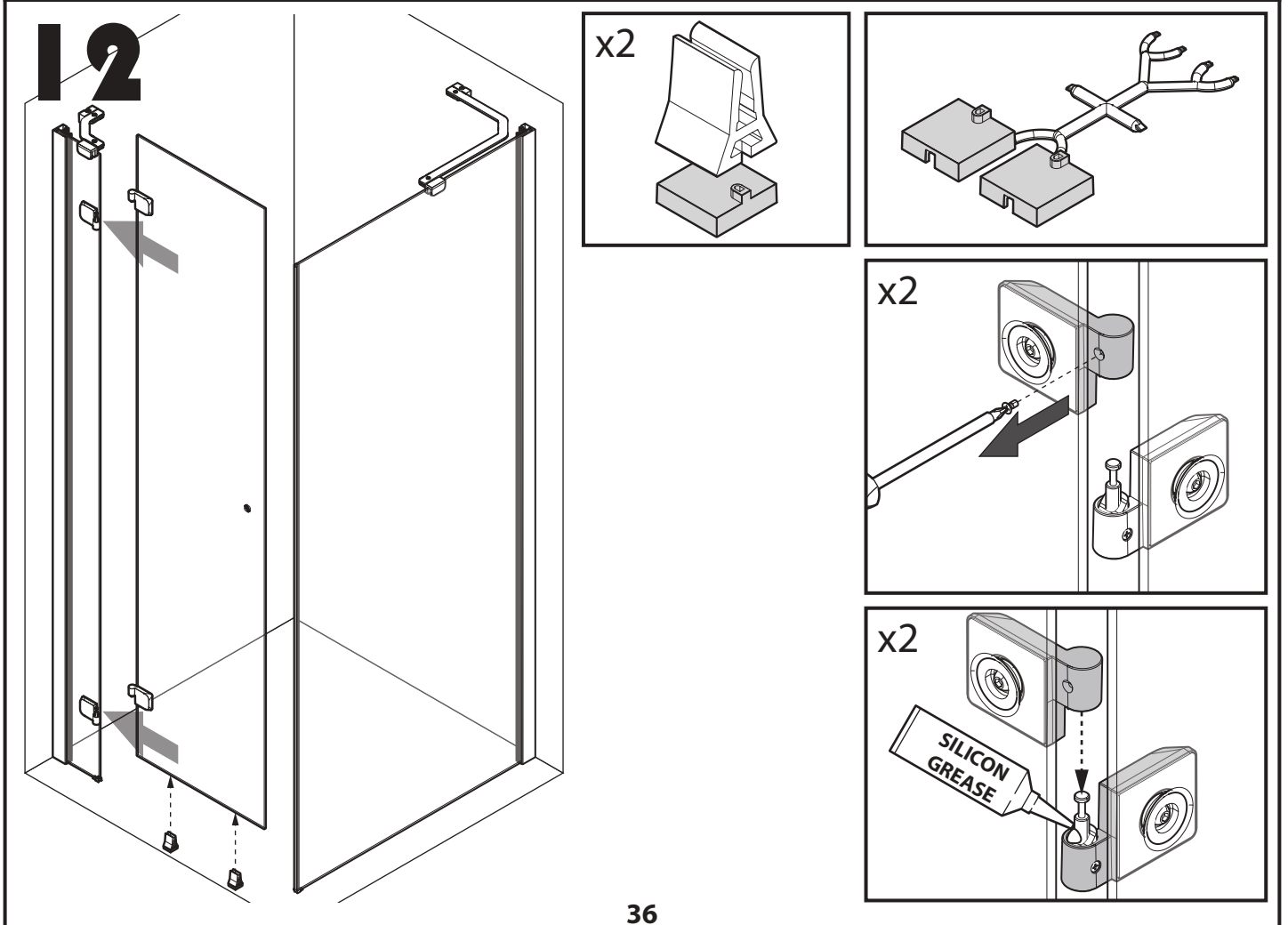
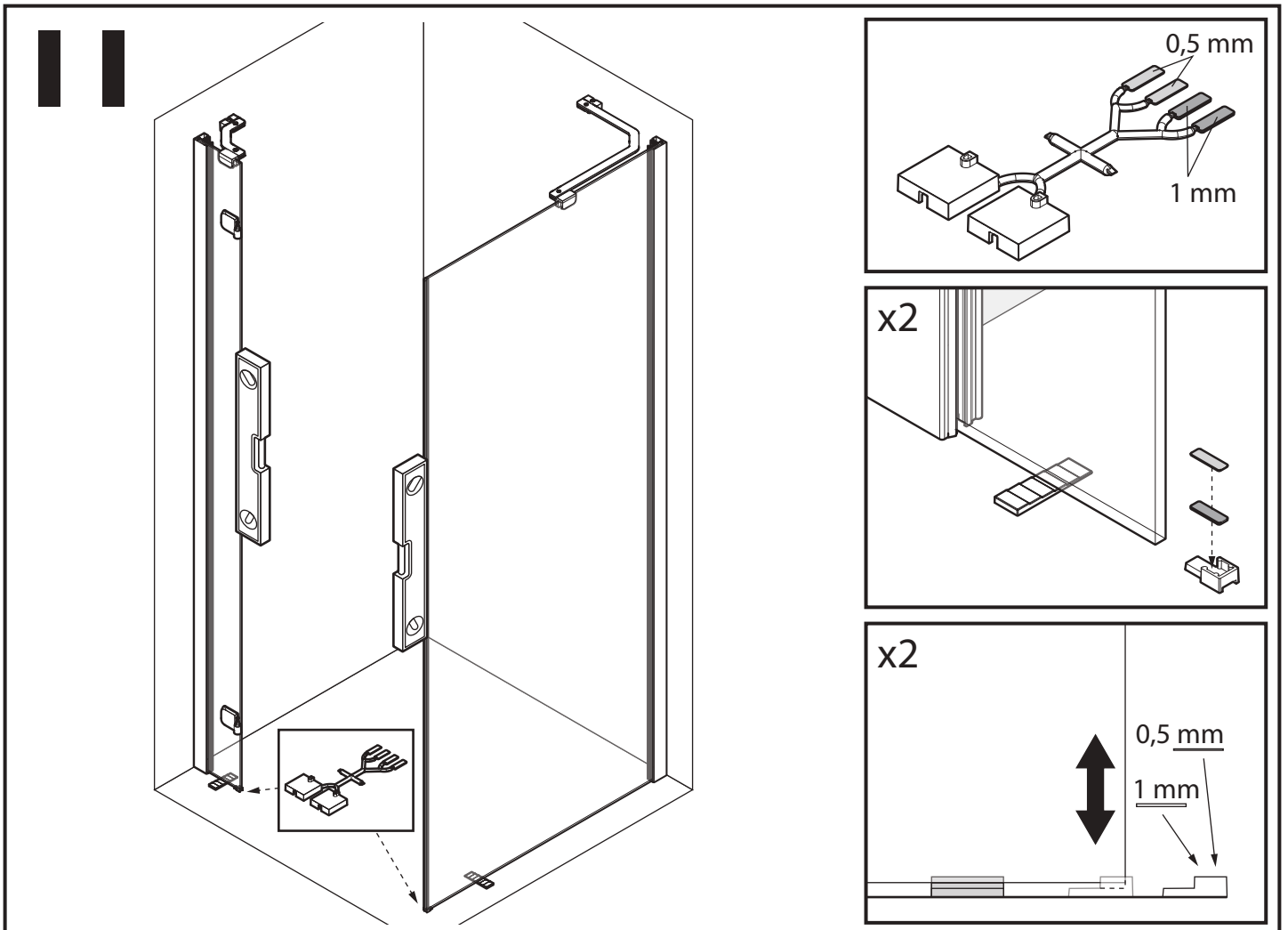


9

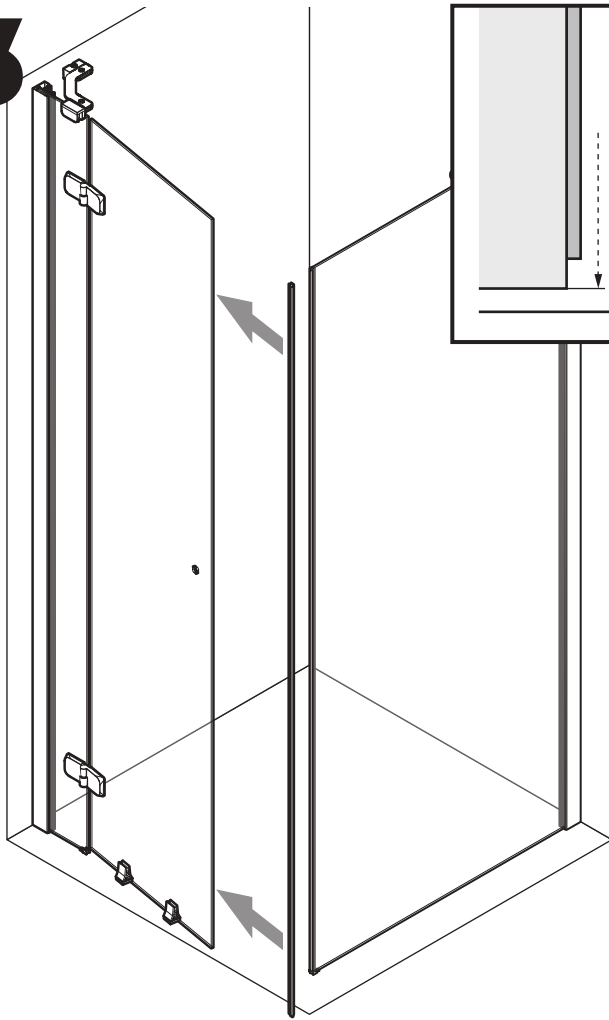


10

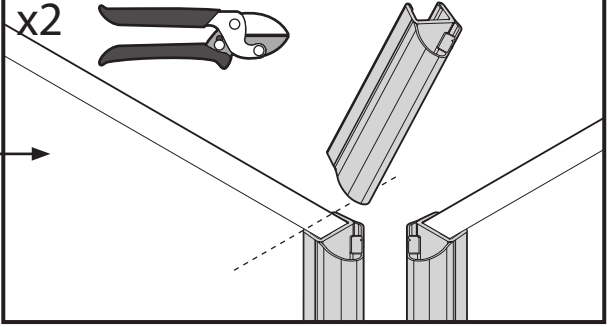




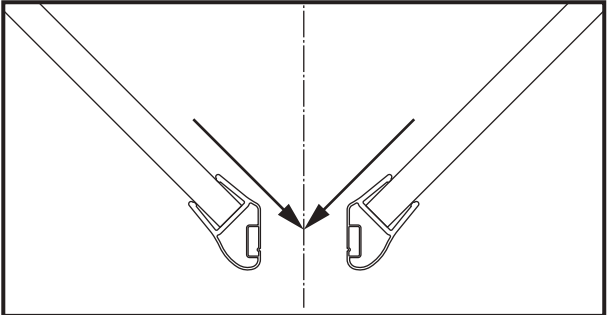
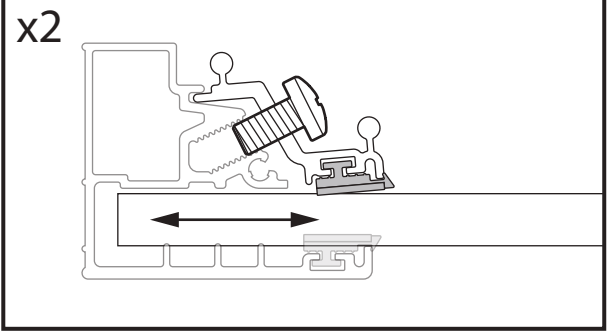
13



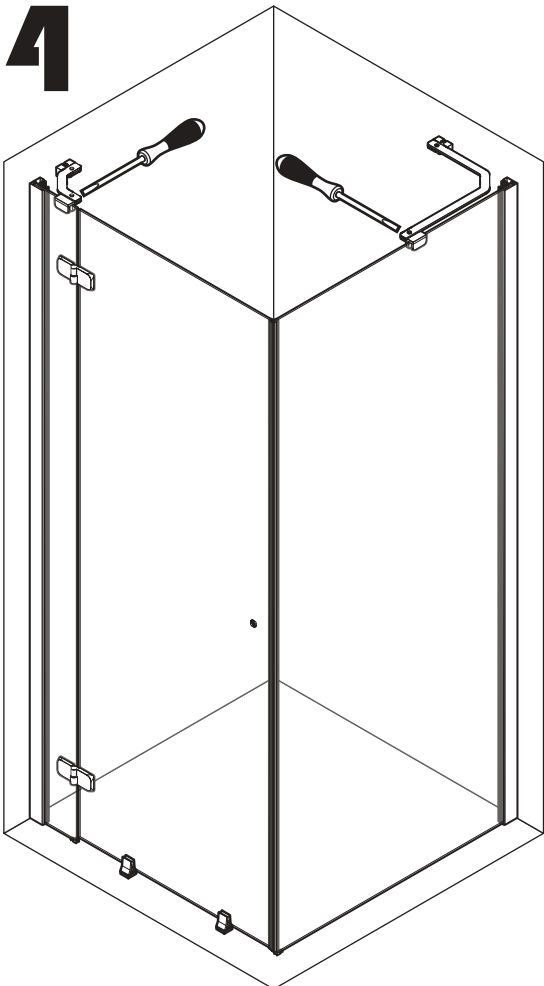
x2



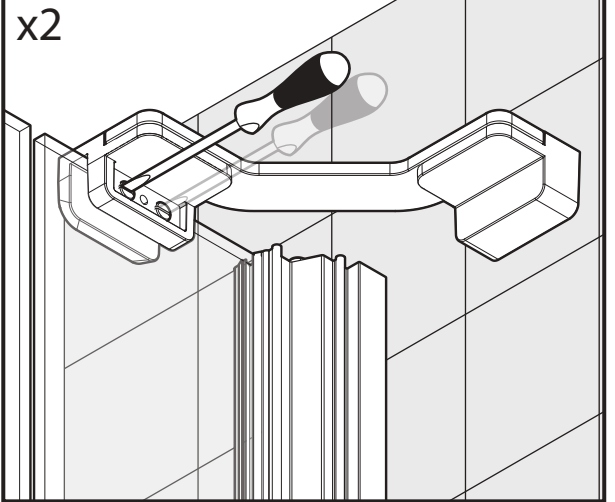
x2



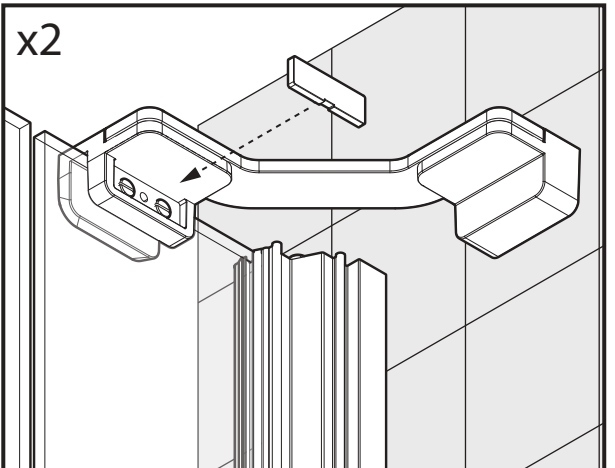
14



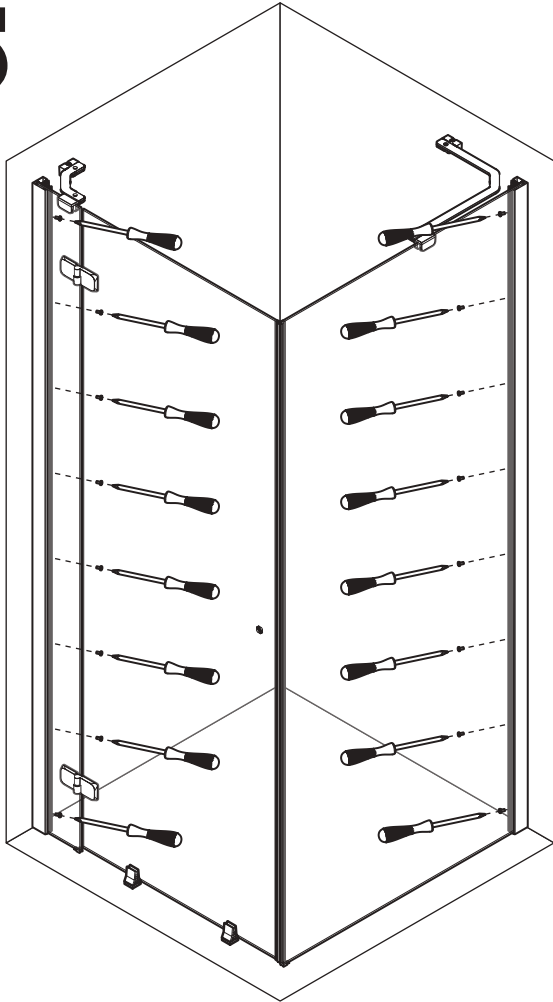
x2



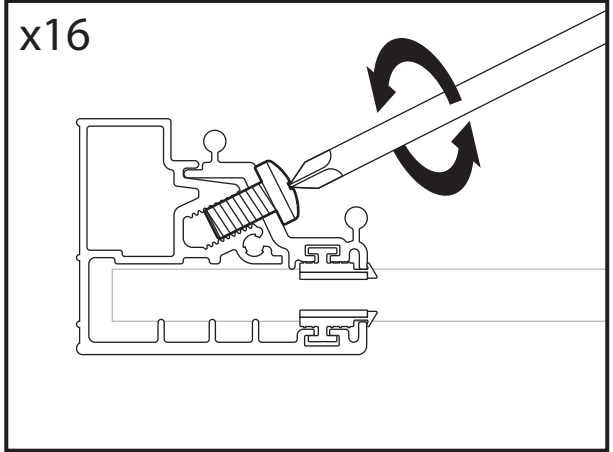
x2



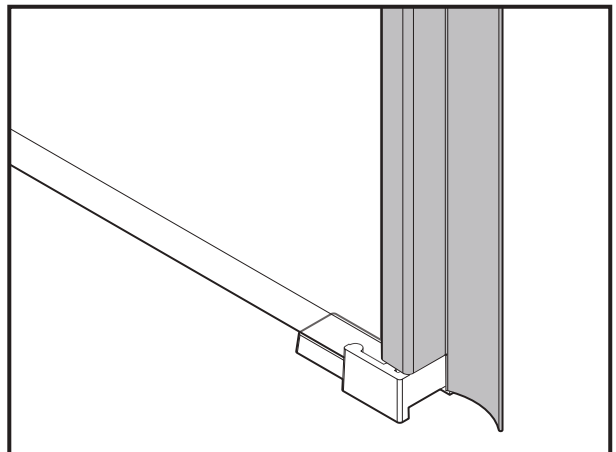
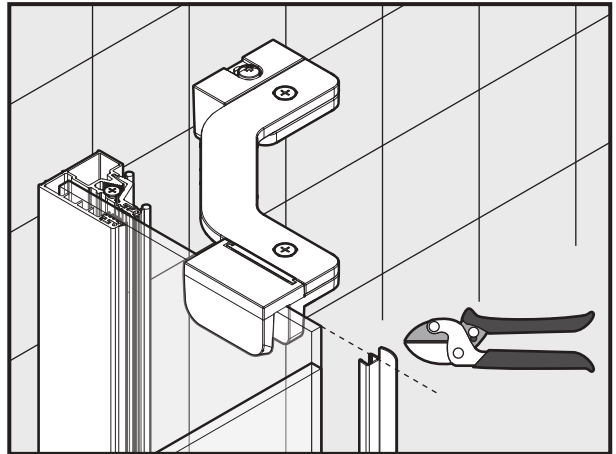
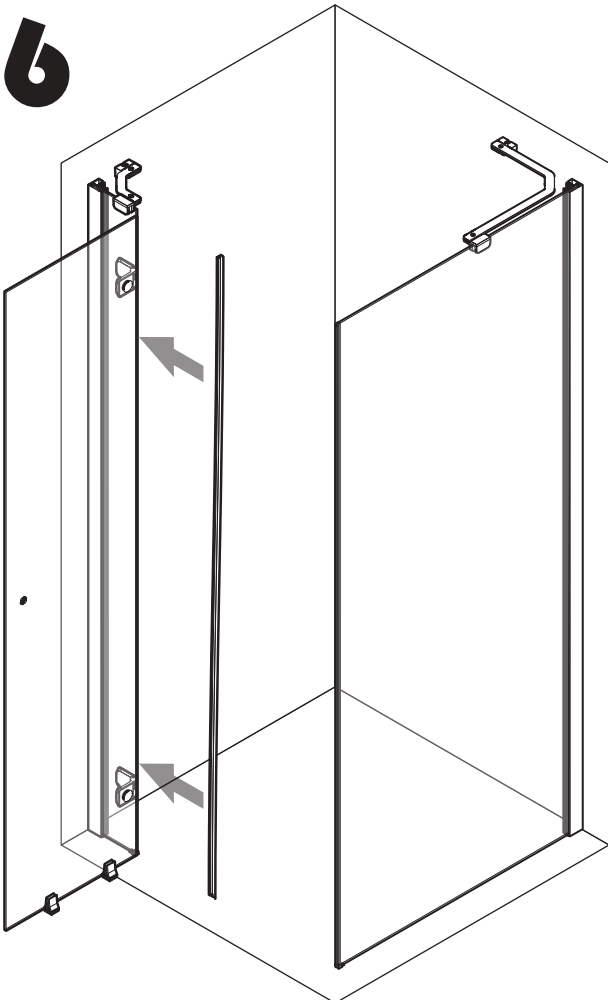
15



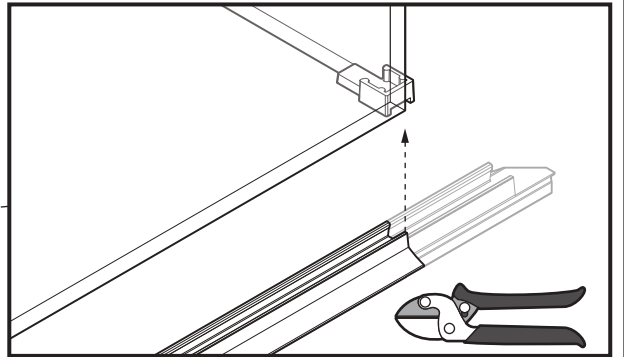
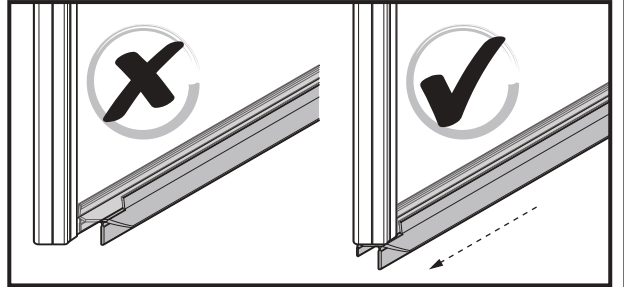
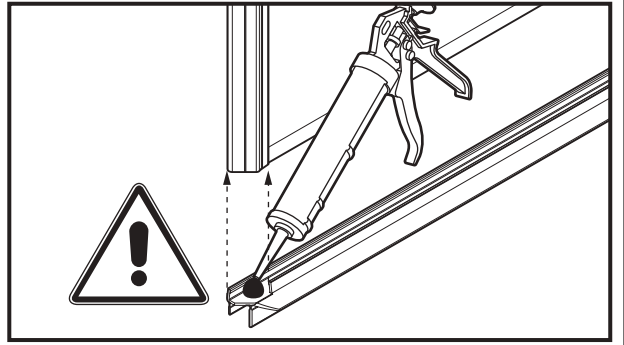
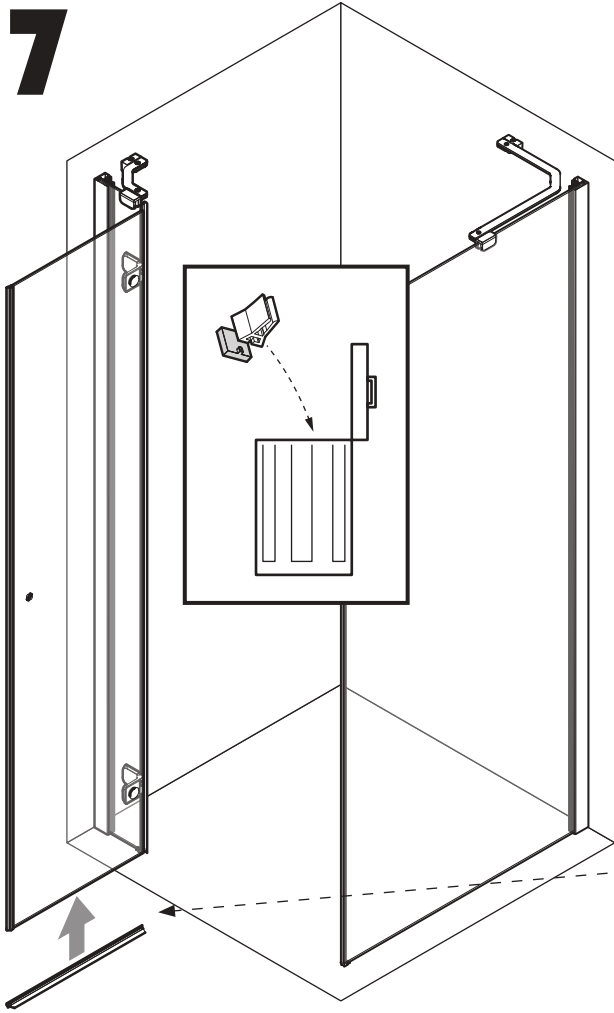
x16



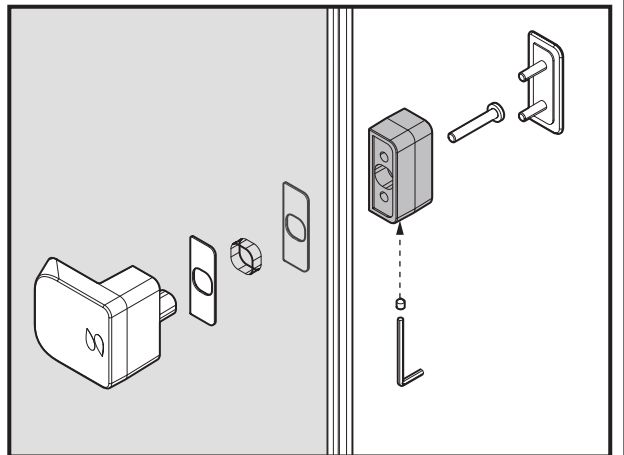
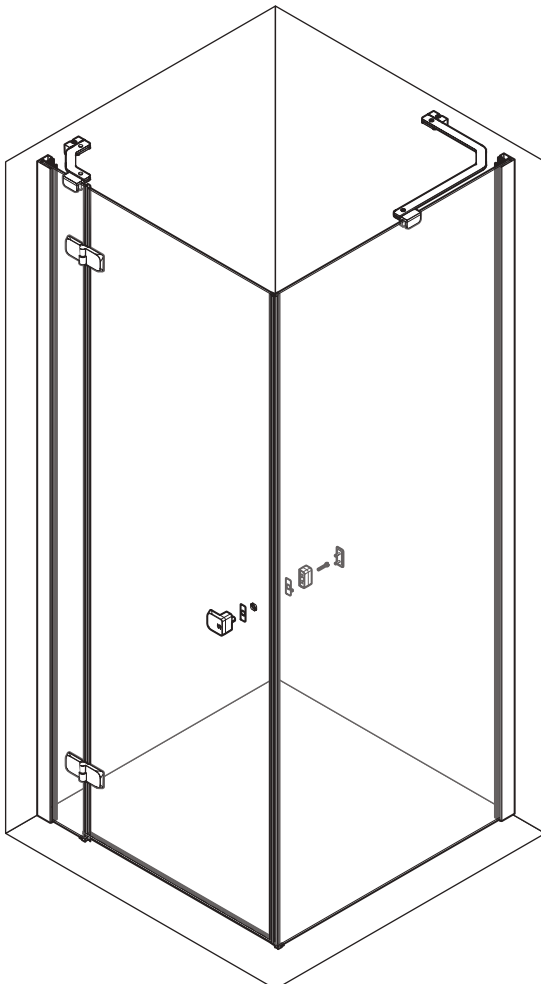
16



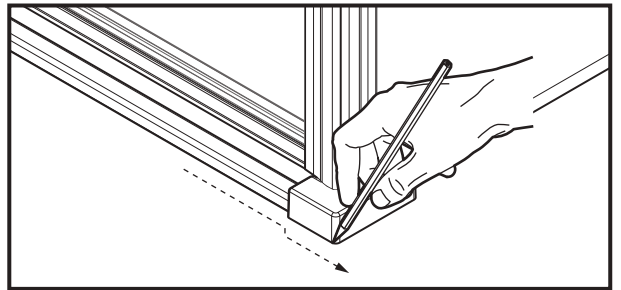
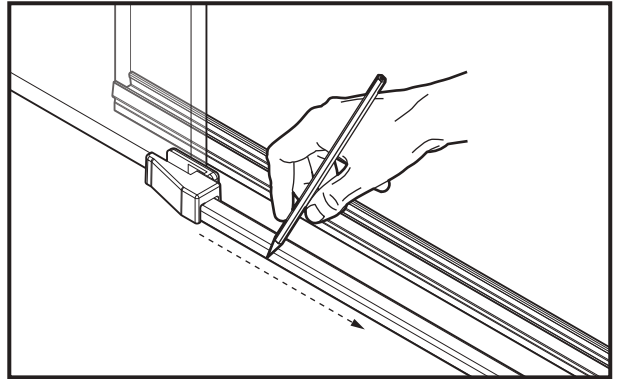
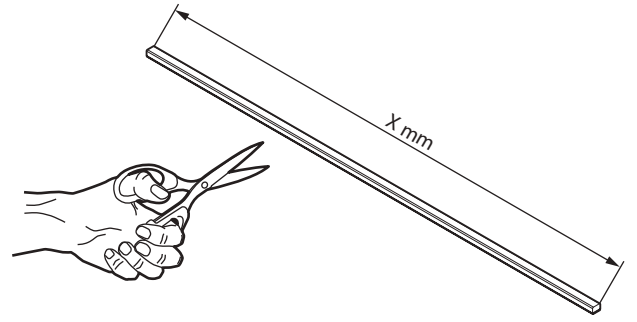
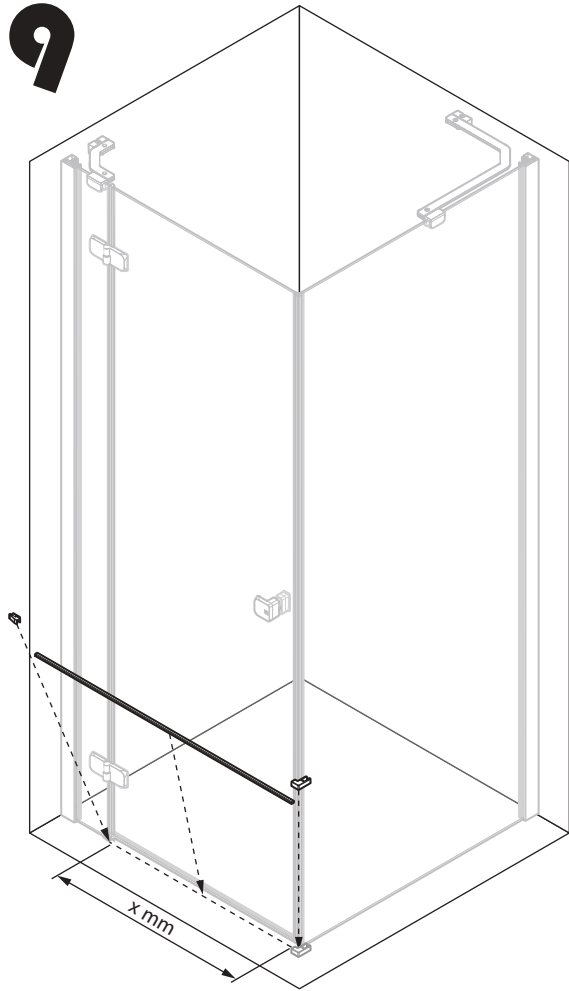
17



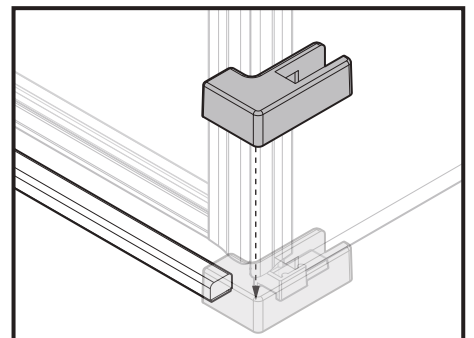
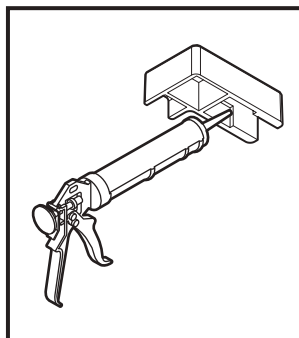
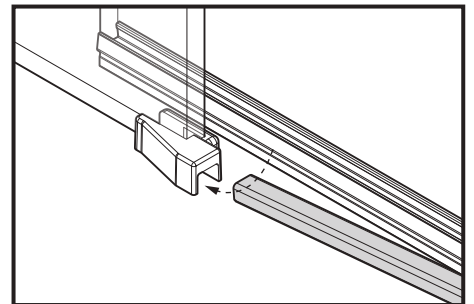
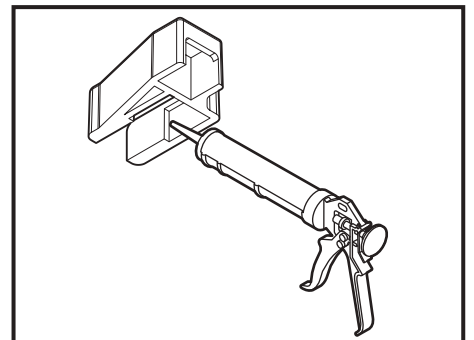
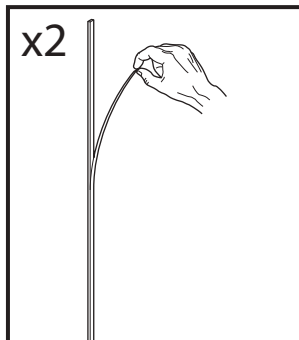
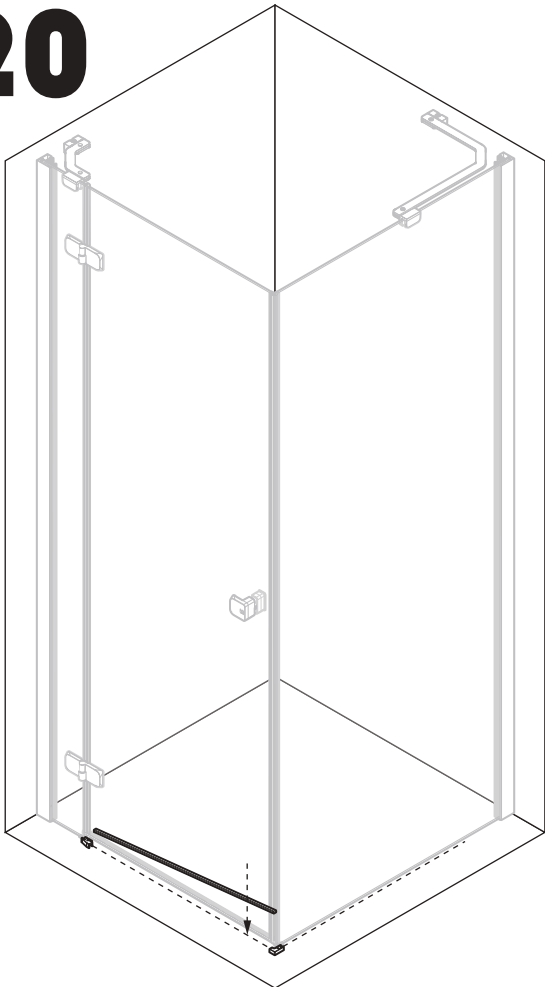
18



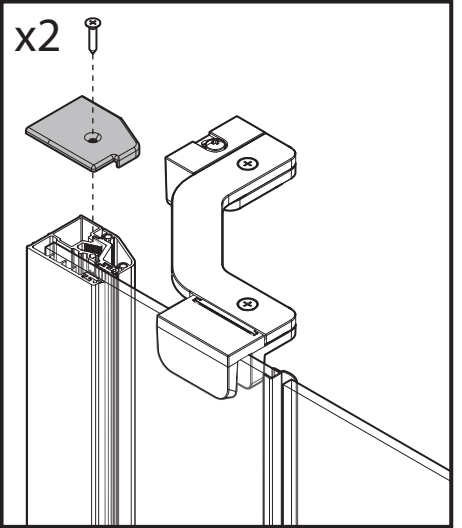
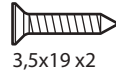
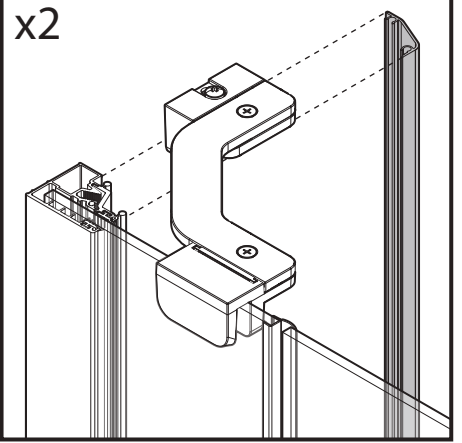
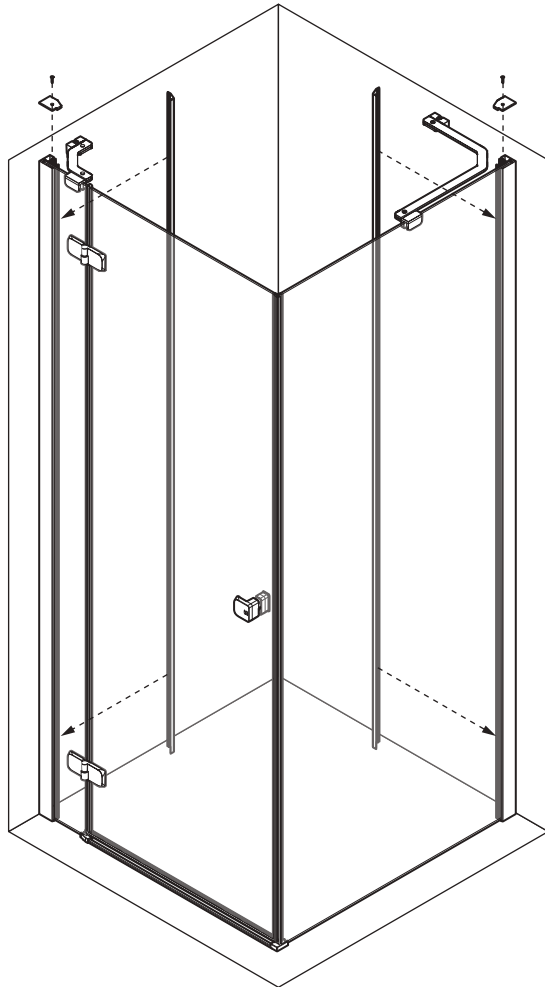
19



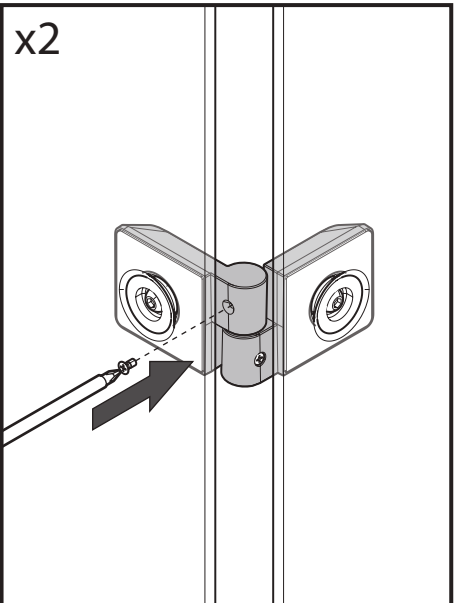
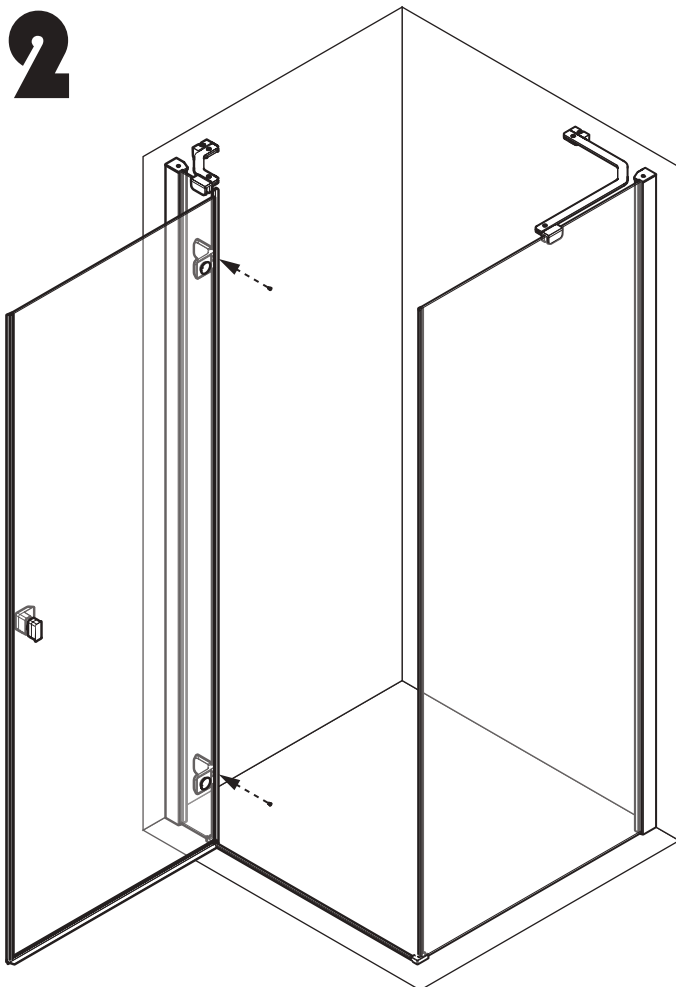
20



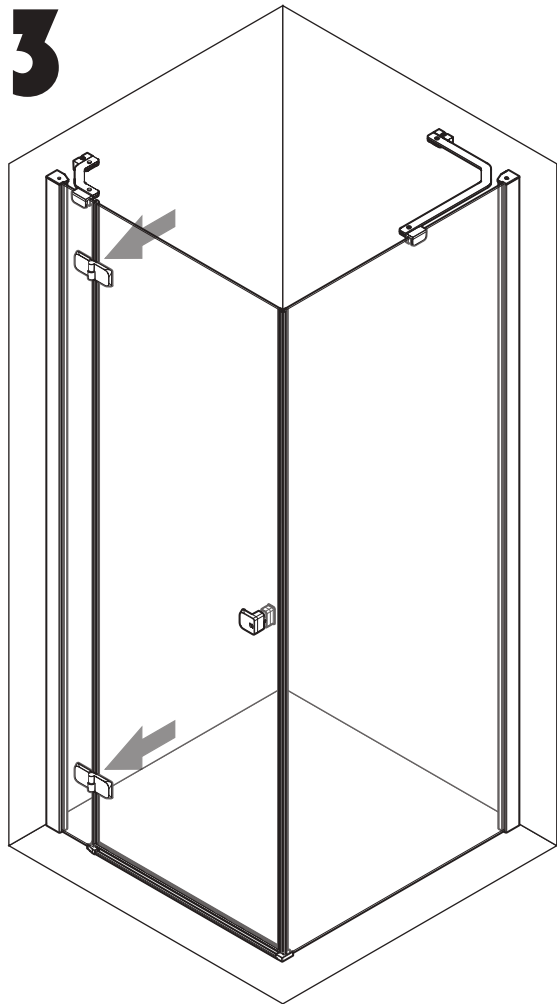
21



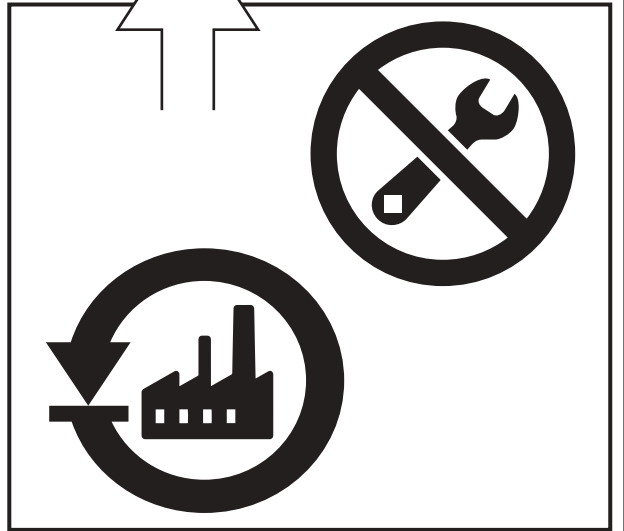
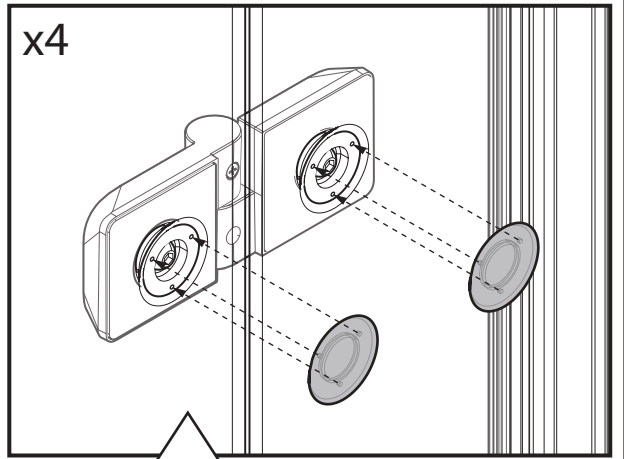
22



23



x4



24

