

BRISTAN

TAPS & SHOWERS

Installation Instructions & User Guide

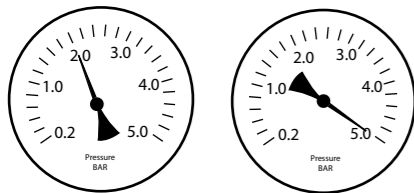
Please leave these instructions with the end user

Product Code: GLL PURESNK C (D1)

Specifications

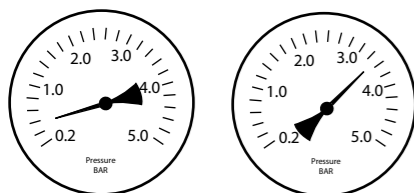
Dynamic Water Pressure Mixed Water

Min: 2.0 bar Max: 5.0 bar



Filtered Water

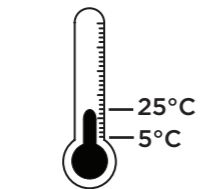
Min: 0.5 bar Max: 3.5 bar



Maximum Static Pressure: 10.0 bar

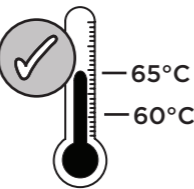
Inlet Water Temperature

Cold Water Supply



Min: 5°C Max: 25°C

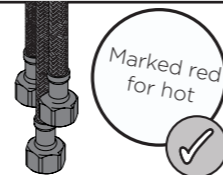
Hot Water Supply



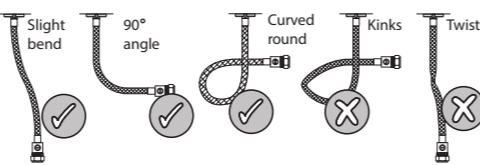
60-65°C Recommended

Inlet Connections

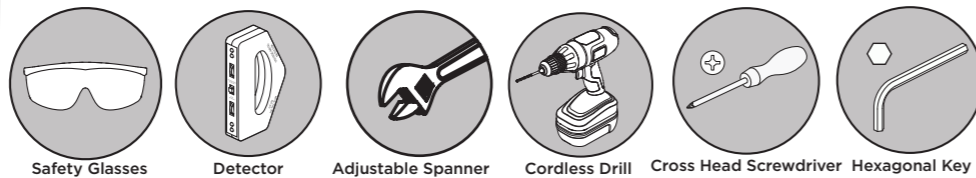
1/2" BSP & 3/8" Flexible Tails



Flexible Connecting Pipes



Tools You'll Need



Prior to Installation

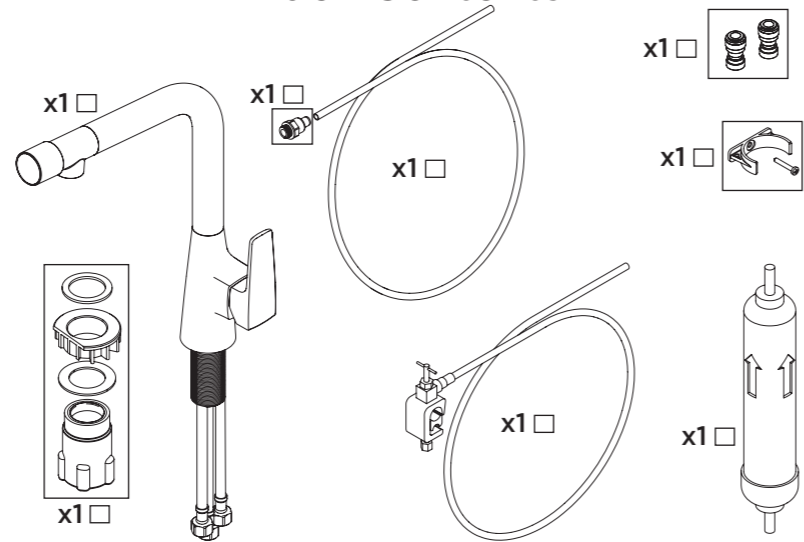
All products manufactured and supplied by Bristan are safe provided they are installed, used correctly and receive regular maintenance in accordance with these instructions.

This product has been tested to the Water Regulations Advisory Scheme (WRAS) and satisfies the requirements of the Water Supply (Water Fittings) Regulations 1999 and current bylaws. For full Installation Requirements & Notes (IRN) please visit wras.co.uk/directory.

Isolation valves must be fitted to the inlet water supplies to ensure ease of future maintenance. Before installing these taps the water supply must be thoroughly flushed in order to remove any swarf, solder etc.

This product must not be modified in any way as this will invalidate the guarantee.

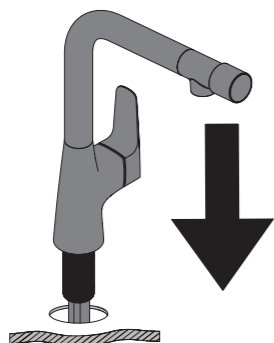
Pack Contents



Installation

1

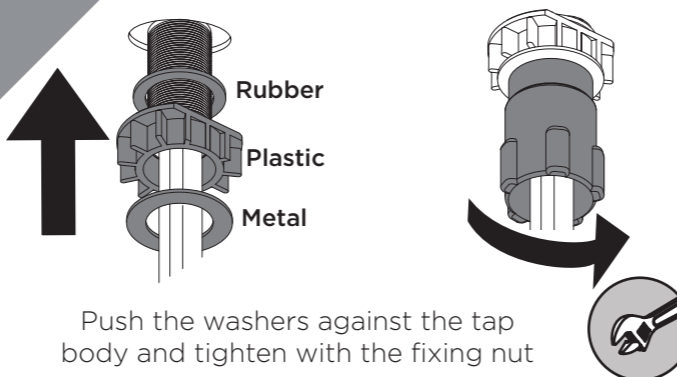
Feed the pipes through the sink hole and place the tap body.



2

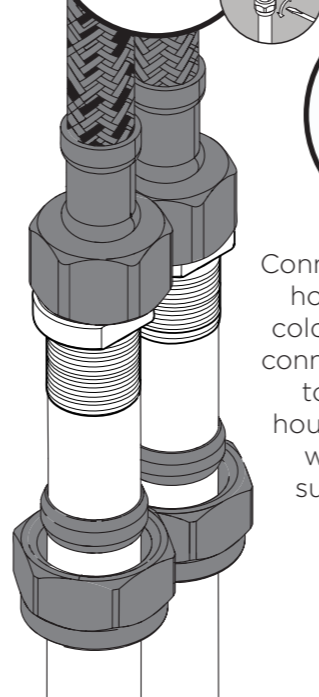
Rubber
Plastic
Metal

Push the washers against the tap body and tighten with the fixing nut



3

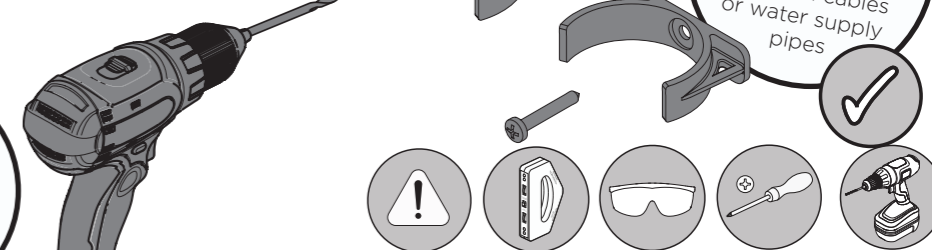
IMPORTANT
Ensure water is isolated



4

Secure the filter bracket inside of the sink unit, ensuring ease of access for future replacement and maintenance.

REMEMBER
hot on the left, cold on the right



REMEMBER
Prior to drilling check there are no hidden electrical cables or water supply pipes

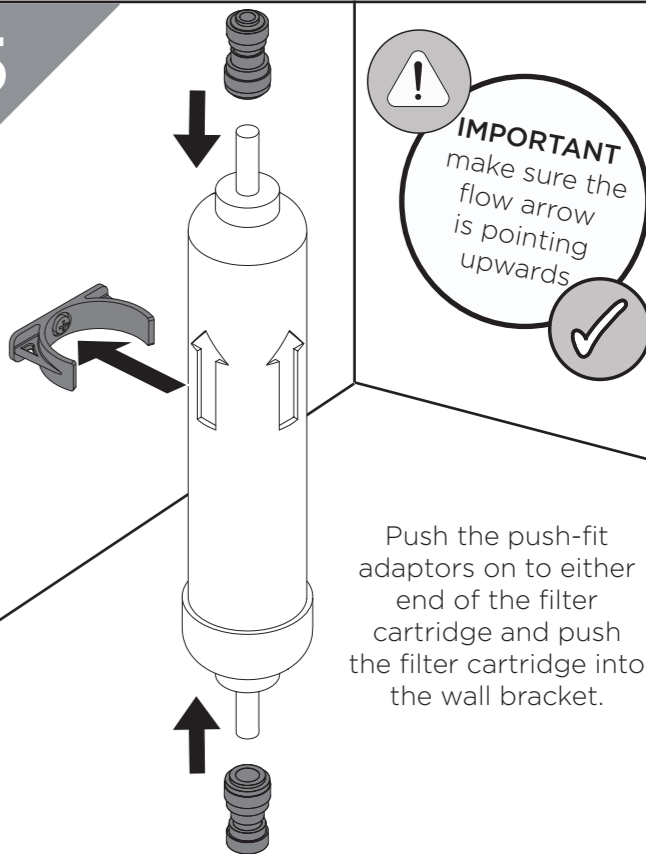
Connect the hot and cold water connections to the household water supply.

Scan the QR Code or Order using **E CART** for a replacement cartridge



5

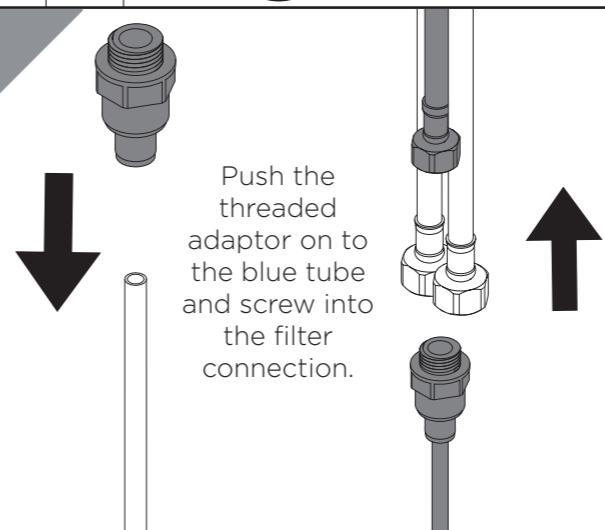
IMPORTANT
make sure the flow arrow is pointing upwards



Push the push-fit adaptors on to either end of the filter cartridge and push the filter cartridge into the wall bracket.

6

Push the threaded adaptor on to the blue tube and screw into the filter connection.

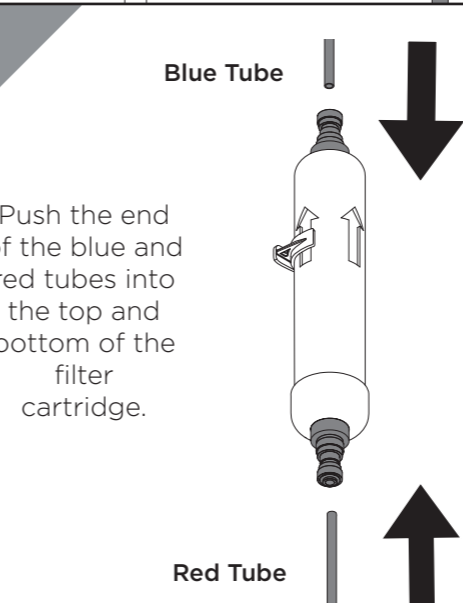


7

Push the end of the blue and red tubes into the top and bottom of the filter cartridge.

Blue Tube

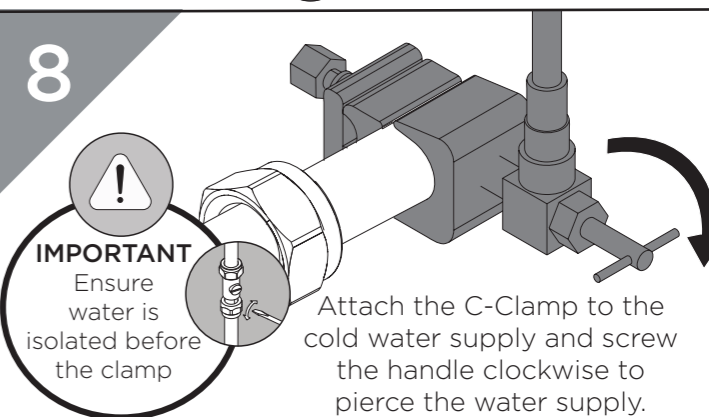
Red Tube



8

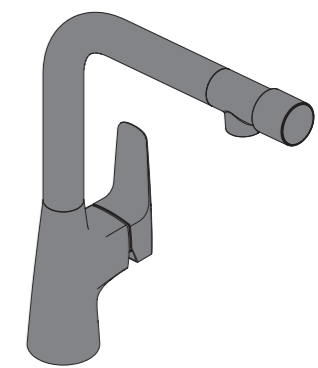
IMPORTANT
Ensure water is isolated before the clamp

Attach the C-Clamp to the cold water supply and screw the handle clockwise to pierce the water supply.



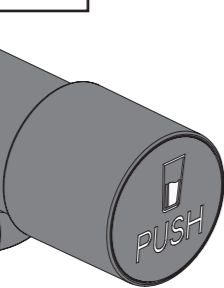
9

Switch on the water supply and check connections for any leaks.



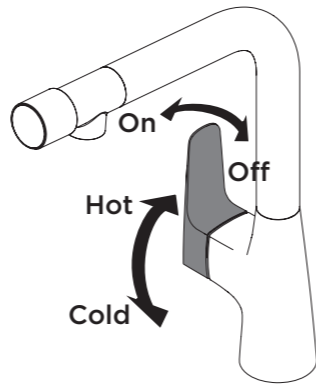
Operation

The water may at first be greyish in colour. This is due to excess filter material being flushed through the system



Before using the filter system, flush at least 20 litres of water through the system.

To receive filtered water, push the button on the front of the spout. Push again to switch off.



Maintenance - Replacing Filter

1 Isolate the water supply.

2 Disconnect the red and blue tubes from the cartridge.

3 Take the cartridge from the wall bracket. Remove the push-fit connectors from the cartridge.

4 Push the push-fit connectors on to the new cartridge and place in the wall bracket.

You should replace the filter every 6 months.

5 Reconnect the red and blue tubes to the cartridge.

6 Turn on the mains water supply, checking for any leaks. Flush the system until the water runs clear as per Operation.

Maintenance - Cleaning/Replacing Cartridge

1 Remove cap. Undo grub screw and remove handle.

IMPORTANT
Isolate the water supply before starting!

2 Unscrew shroud and retaining nut. Remove cartridge.

3 Place cartridge in a suitable solution and soak until fully descaled.

4 Replace cartridge. Screw on the shroud and retaining nut.

5 Replace handle. Tighten the grub screw and replace the cap.

6 Turn on the mains water supply, letting the water flow for a few minutes to flush through the system.

General Cleaning

Your fitting has a high quality finish and should be treated with care to preserve the visible surfaces.

All surfaces will wear if not cleaned correctly, the only safe way to clean your mixer tap is to wipe with a soft damp cloth. Stains can be removed using washing up liquid. All bath cleaning powders and liquids will damage the surface of your fitting, even the non-scratch cleaners.

Note: Never use abrasive detergents or disinfectants or those containing alcohol, hydrochloric acid or phosphoric acid.

Spare Parts

To replace any spare parts for your tap, why not scan the QR Code or visit www.bristan.com and search for your product.



Servicing Your Tap



We recommend servicing your tap at least once every year to prolong its life. To see a video showing how to remove the cartridge for servicing, scan the QR code with your smart phone or tablet.

Alternatively visit www.youtube.com/BristanTV

Troubleshooting

Symptom	Cause(s)	Remedy
No flow or low flow rate	Partially closed isolation valve.	Open isolation valve.
	Instantaneous water heater cycles on and off as flow rate or pressure is too low.	Increase water flow rate or pressure through system.
	Head of water is below the minimum distance required.	Refer to the specification for minimum distance required
	Hot or cold water being drawn off elsewhere causing pressure changes or instantaneous boiler temperature changes.	Do not use other water outlets when using the taps.
	Airlock or partial blockage in the supply pipework or hoses.	Flush through pipework to ensure removal of debris and any airlocks.
	Water supply failure	Investigate water supply. Check your plumbing and heating systems for any faults.
Water dripping from taps	This is normal for a short time after using the taps.	This is caused by capillary action, the build up of water in the tap body.
	If water continues to drip, possibly due to the ceramic disc valves/cartridge	Remove valves/cartridge and clean, refer to 'Maintenance' section before starting any maintenance.
Taps do not turn on	Closed isolation valve.	Open isolation valve.
	Mains water supply turned off.	Turn on mains water supply.
Filter function doesn't turn on/off	Filter button may have stopped working.	Please contact Customer Services
Handset Pressure Changes	Current water pressure is too large or beyond the normal range of use	Install a Pressure Reducing Valve in order to achieve working levels of pressure.

At Bristan, we want to make things as easy as possible for our customers. That's why we offer solid guarantees on all our products, effective from the date of purchase, to give you peace of mind.

To start your free guarantee simply scan the QR code and register your product. Alternatively visit www.bristan.com/register.

For any other queries, please call our Customer Service on 0330 026 6273 where our expert team of advisors will be able to offer you any help and advice.

For full guarantee terms and conditions visit www.bristan.com/guarantees.



We Know & We Care